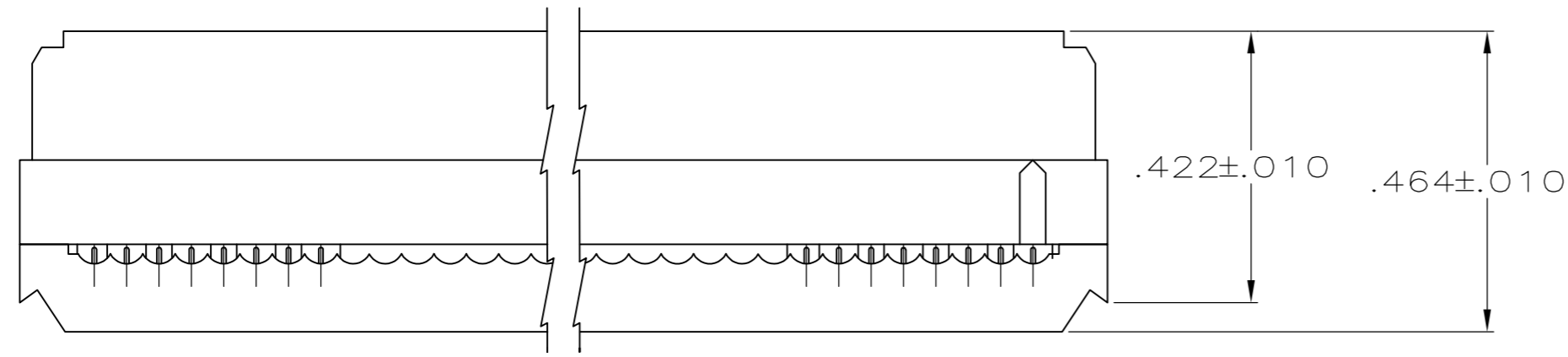
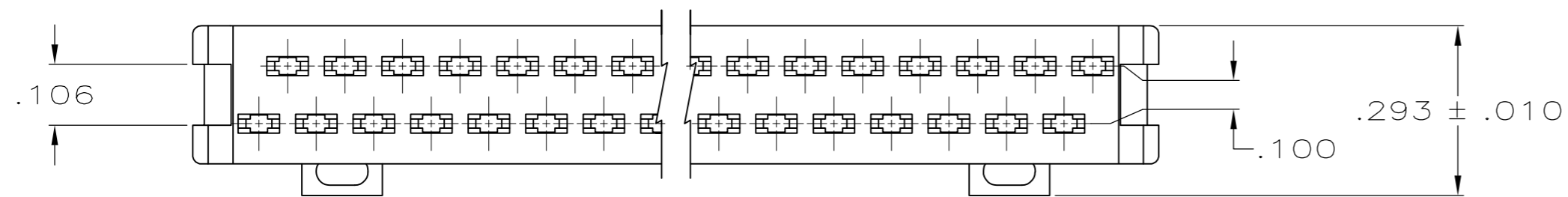
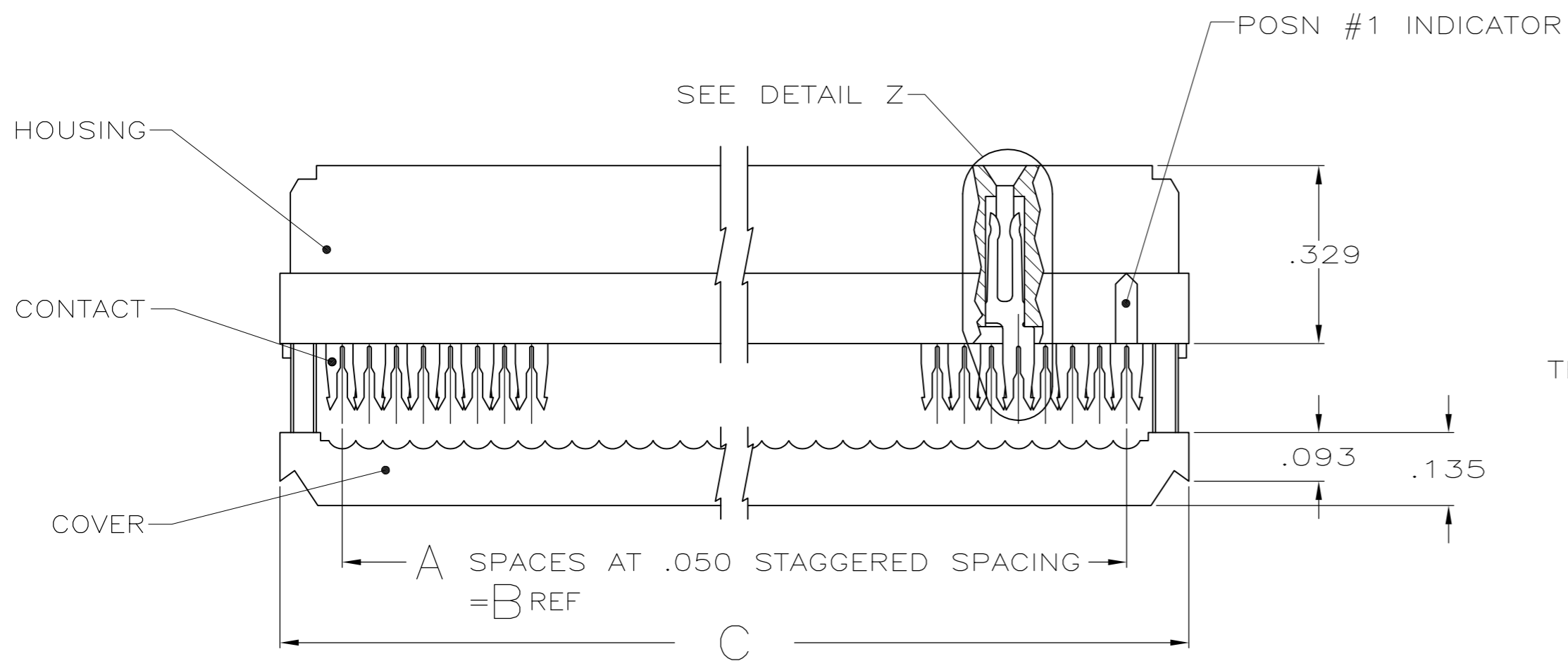
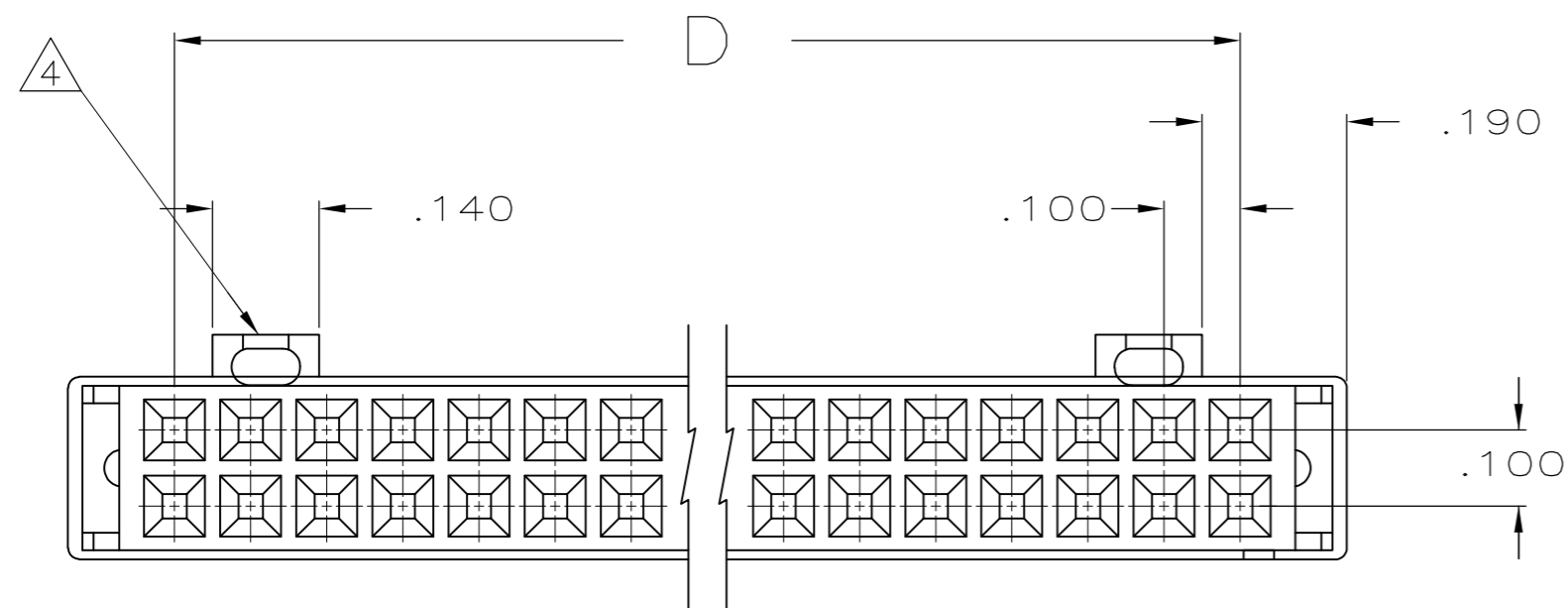


THIS DRAWING IS UNPUBLISHED. RELEASED FOR PUBLICATION
 © COPYRIGHT - By - ALL RIGHTS RESERVED.

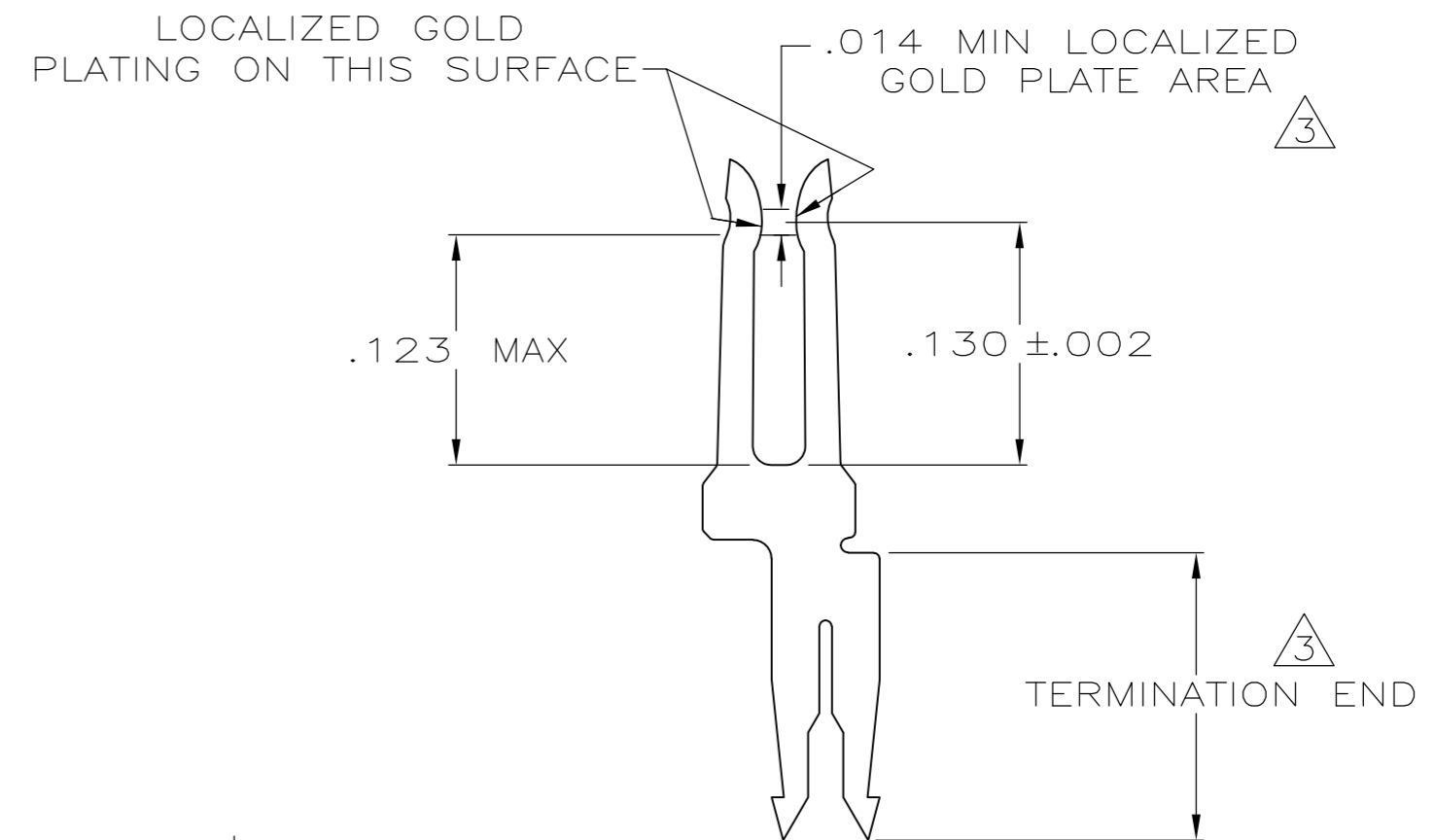
LOC		DIST		REVISIONS			
P	LTR	DESCRIPTION		DATE	DWN	APVD	
GP	00	C1	REVISED PER ECO-11-004835		11MAR11	RK	HMR



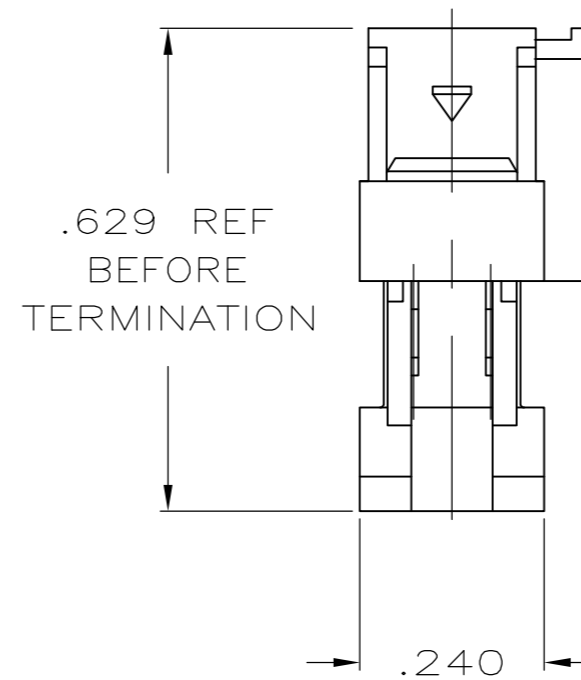
TERMINATED VIEW



- ① MOLDED PARTS: UL RATED 94V-0 THERMOPLASTIC, BLACK.
- ② CONTACTS: PHOSPHOR BRONZE PER QQ-B-750.
- ③ CONTACTS: PLATED WITH .000030 MIN GOLD IN LOCALIZED GOLD PLATE AREA, .000050 MIN TIN ON TERMINATION END, ALL OVER .000050 MIN NICKEL ON ENTIRE CONTACT.
OR
GOLD FLASH OVER PALLADIUM-NICKEL PLATE .000030 MIN TOTAL IN LOCALIZED GOLD PLATE AREA, .000050 MIN TIN ON TERMINATION END, ALL OVER .000050 MIN NICKEL ON ENTIRE CONTACT.
- ④ POLARIZING FEATURE DOES NOT EXIST ON END OPPOSITE THE POSN #1 INDICATOR ON 10 POSN PRODUCT.



DETAIL Z
SCALE 10:1
TYPICAL



2.100	2.380	2.150	43	44	1-1658624-3
3.100	3.380	3.150	63	64	1-1658624-2
2.400	2.680	2.450	49	50	1-1658624-0
1.900	2.180	1.950	39	40	1658624-9
1.600	1.880	1.650	33	34	1658624-8
1.400	1.680	1.450	29	30	1658624-7
1.200	1.480	1.250	25	26	1658624-6
1.100	1.380	1.150	23	24	1658624-5
.900	1.180	.950	19	20	1658624-4
.700	.980	.750	15	16	1658624-3
.600	.880	.650	13	14	1658624-2
.400	.680	.450	9	10	1658624-1
D	C	B	A	NO OF POSN	PART NUMBER

THIS DRAWING IS A CONTROLLED DOCUMENT.

DIMENSIONS: INCHES	TOLERANCES UNLESS OTHERWISE SPECIFIED:	DWN R. SAMICK 25AUG03	
0 PLC ± -	1 PLC ± -	CHK C. ROHDE 25AUG03	
2 PLC ± -	3 PLC ± .005	APVD M. WALMSLEY 25AUG03	NAME
4 PLC ± -	ANGLES ± -	PRODUCT SPEC 108-40000	RECEPTACLE ASSY, DUAL BAR POLARIZATION, LEAD FREE, AMP-LATCH™ NOVO
MATERIAL SEE NOTES	FINISH SEE NOTES	APPLICATION SPEC 114-40005	SIZE CAGE CODE DRAWING NO
		WEIGHT -	A2 00779 C=1658624
		CUSTOMER DRAWING	RESTRICTED TO -
		SCALE 4:1	SHEET 1 of 1
			REV C1

X-ON Electronics

Largest Supplier of Electrical and Electronic Components

Click to view similar products for [Headers & Wire Housings](#) category:

Click to view products by [TE Connectivity](#) manufacturer:

Other Similar products are found below :

[95000-104TRLF](#) [10135584-644402LF](#) [DF62W-EP2022PCA](#) [95000-106TRLF](#) [DF62W-2022SCA](#) [DF62W-EP2022PC](#) [2203348](#) [DF62W-2022SC](#) [1084018](#) [1029039](#) [1084017](#) [802-10-012-10-002000](#) [1112640](#) [1112639](#) [000-34000](#) [0009482033](#) [0009507031](#) [57102-S06-03LF](#) [57202-S52-04LF](#) [PCN6-15S-2.5E](#) [0039019024](#) [58102-G61-06LF](#) [582553-1](#) [0009508121](#) [0050291907](#) [018731A](#) [LY20-4P-DT1-P1E-BR](#) [02.125.8002.8](#) [60101931](#) [60598-1 \(Cut Strip\)](#) [M1625-3R/100](#) [61062-3](#) [61082-181009](#) [636-1427](#) [638009-1](#) [641938-9](#) [641991-4](#) [644168-1](#) [647662-1](#) [65039-019ELF](#) [65817-002LF](#) [65817-015LF](#) [65863-015LF](#) [66207-023LF](#) [67016-026LF](#) [67046-001LF](#) [67095-007LF](#) [68002-116](#) [68016-236H](#) [68648-049](#)