

4

3

2

1

THIS DRAWING IS UNPUBLISHED.

RELEASED FOR PUBLICATION

© COPYRIGHT BY TYCO ELECTRONICS CORPORATION. ALL RIGHTS RESERVED.

LOC
U

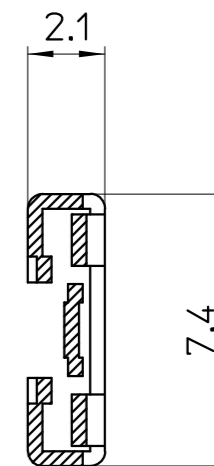
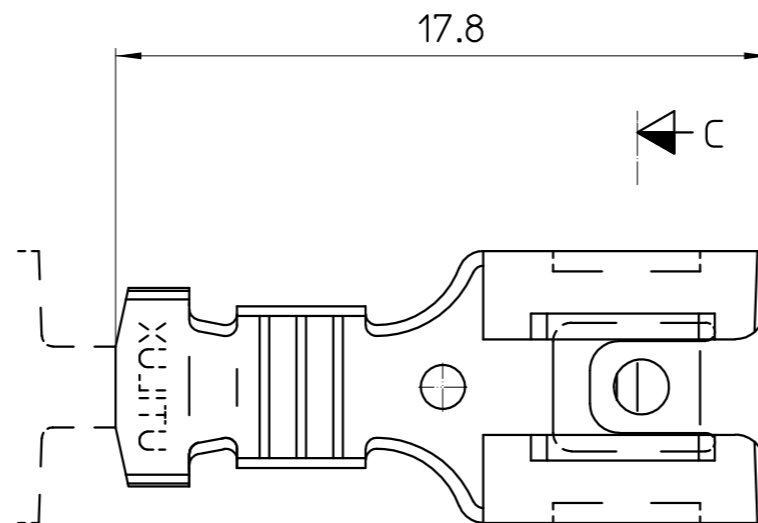
DIST
-

REVISIONS

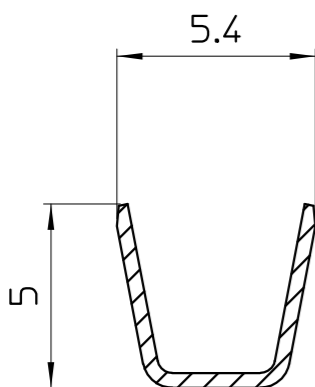
P	LTR	DESCRIPTION	DATE	DWN	APVD

D

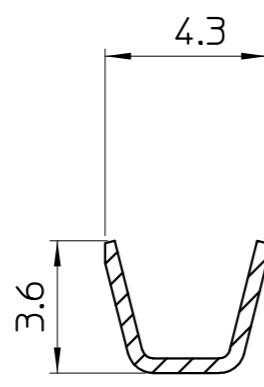
C



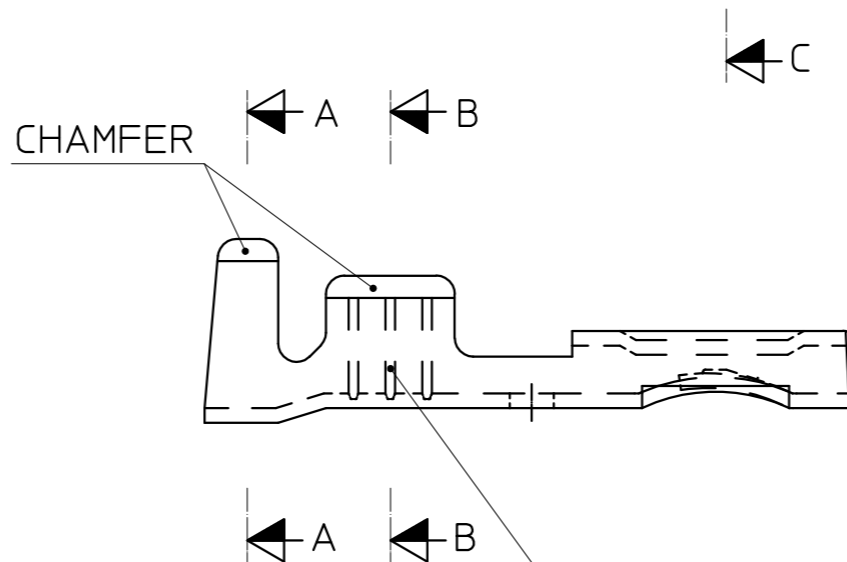
C-C



A-A



B-B



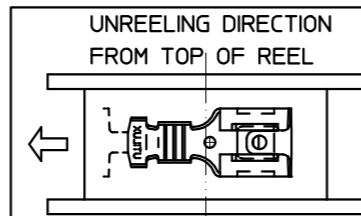
CHAMFER

3 INTERNAL RIBS

NOTES:

- WIRE SIZE RANGE:
CONDUCTOR: 1.0mm² - 1.5mm²
INSULATION DIA. : 2.8mm - 3.2mm
- FOR CRIMPING DETAILS REFER TO UTILUX CRIMP CHART NO. H25910

THIS INFORMATION IS CONFIDENTIAL AND PROPRIETARY TO TYCO ELECTRONICS CORPORATION AND ITS WORLDWIDE SUBSIDIARIES AND AFFILIATES. IT MAY NOT BE DISCLOSED TO ANYONE OTHER THAN TYCO ELECTRONICS PERSONNEL WITHOUT WRITTEN PERMISSION FROM TYCO ELECTRONICS CORPORATION, HARRISBURG, PENNSYLVANIA, USA.



THIS DRAWING IS A CONTROLLED DOCUMENT.

ALL DIMENSIONS IN mm:

DIMENSION (mm)	TOLERANCE (±mm)
LESS THAN 10	0.4
OVER 10 TO 30	0.5
OVER 30 TO 80	0.7
OVER 80 TO 250	1.0
ANGLES	±2°

MATERIAL

FINISH

NICKEL SILVER	RECEPTACLE H25910	1-1659254-0
MATERIAL	DESCRIPTION	PART No.
DWN: W.RIEDE 3.11.04 CHK: H.THAI 3.11.04 APVD: W.RIEDE 3.11.04	Tyco Electronics Corporation AUSTRALIA	
PRODUCT SPEC: - APPLICATION SPEC: -	NAME: RECEPTACLE QC 6.3	
WEIGHT: -	SIZE: A3	CAGE CODE: -
DRAWING NO: ©-1659254		RESTRICTED TO: -
CUSTOMER DRAWING		SCALE: 5:1
SHEET 1 OF 1		REV 0

D

C

B

A

X-ON Electronics

Largest Supplier of Electrical and Electronic Components

Click to view similar products for [Terminals](#) category:

Click to view products by [TE Connectivity](#) manufacturer:

Other Similar products are found below :

[00-054007-01074-6](#) [00-054007-70206-1](#) [00-054007-70210-8](#) [00-054007-70217-7](#) [00-054007-70226-9](#) [00-054007-70228-3](#) [00-054007-70248-1](#) [00-054007-70256-6](#) [00-054007-70301-3](#) [00-054007-70316-7](#) [0-0320562-0](#) [00-054007-49560-4](#) [00-054007-70209-2](#) [00-054007-70225-2](#) [00-054007-70227-6](#) [00-054007-70231-3](#) [00-054007-70241-2](#) [00-054007-70242-9](#) [00-054007-70244-3](#) [00-054007-70246-7](#) [00-054007-70263-4](#) [00-054007-70288-7](#) [00-054007-70290-0](#) [00-054007-70300-6](#) [00-054007-70304-4](#) [01-2065-1-0216](#) [01-2900-1-04412](#) [00581P0075](#) [600TS-10](#) [60205-1](#) [604200-1](#) [605601-1](#) [60598-1-CUT-TAPE](#) [61314-6-C](#) [61810-3](#) [61-S](#) [61-SN](#) [626-0194](#) [62-NBM-A](#) [62-SN](#) [62-SP](#) [63-S](#) [640179-1](#) [M55155/059I03](#) [M55155/079C01](#) [M55155/099H02](#) [M55155/109H01](#) [M55155/109H02](#) [M55155/12XH05](#) [M55155/16XH02](#)