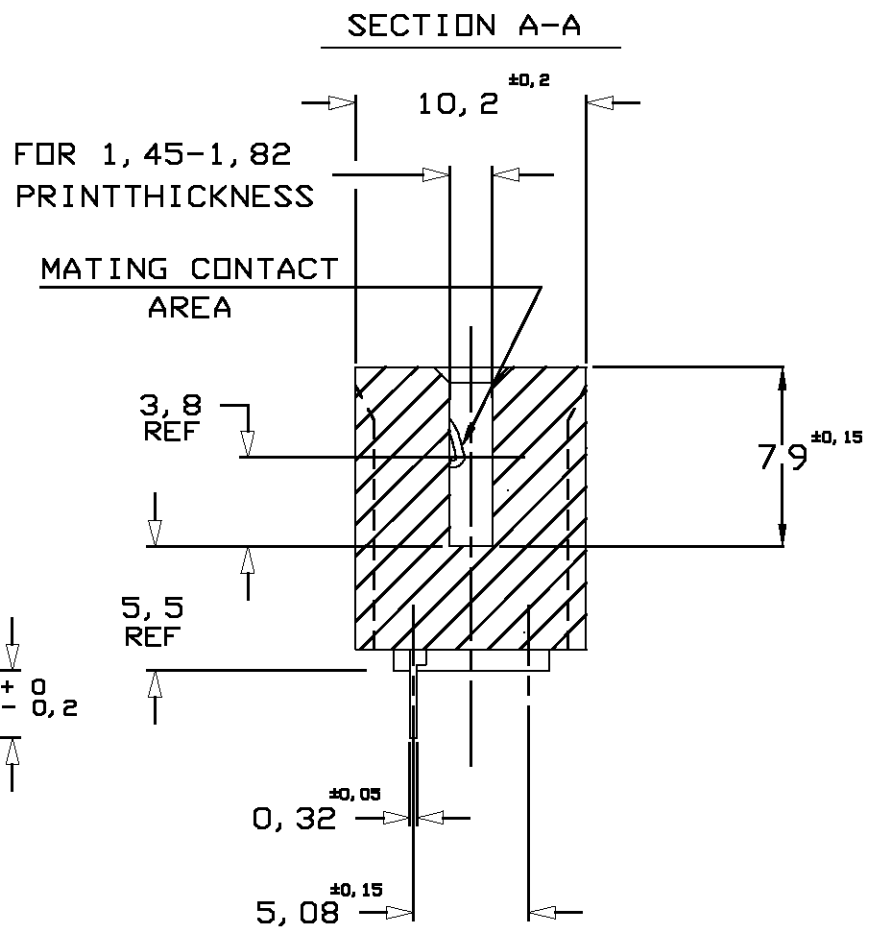


- NOTES:
1. PRODUCT SPECIFICATION: 108-19041
2. PACKAGING: ON PLASTIC TUBES, BOXED



CONTACT: 0,4µm MIN SELECTIVE GOLD PLTD ON MATING CONTACT AREA AND 3,0µm MIN TIN PLTD ON CONTACT POST, OVER 1,25µm MIN Ni PLTD UNDERLAYER
HOUSING: THERMOPLASTIC POLYESTER 20% GF, UL94-v0 COLOUR GREEN
CONTACT: PH. BRONZE H06
1-166088-3

CUSTOMER DRAWING FOR REFERENCE ONLY WILL NOT BE UPDATED
tyco Electronics
tyco Electronics AMP Italia S.p.A. C.so F.lli Cervi, 15 - Collegno (TO)
THIS DRAWING IS UNPUBLISHED RELEASED FOR PUBLICATION JULY 1986
© COPYRIGHT 1986 BY AMP-HOLLAND B.V. ALL INTERNATIONAL RIGHTS RESERVED. AMP PRODUCTS MAY BE COVERED BY U.S. AND FOREIGN PATENTS AND/OR PATENTS PENDING.

H2	ET00-0047-04	D.C.	C.T.	05MAR2004	DR. C. SOUSA	DATE 08-07-86
H1	ET00-0115-03	D.C.	C.T.	24JUN2003	CHK. J. BROEKSTEEG	DATE 08-07-86
H	ET00-0068-03	P.B	D.C	9-5-03		
G	-	-	-	12-6-89	APP. L. V. SOEST	DATE 09-07-86
LTR.	REVISION RECORD	DR.	CHK.	DATE		

WIRE RANGE _____ NAME
INSUL. RANGE _____
13 POS. AMP-EDGE CONN., 2.54 PITCH SINGLE LOADED WITH B. T. B. CONTACTS
SIZE A3 SHEET 1 OF 1 DRAWING NO C-166088 REV. LTR. H2

X-ON Electronics

Largest Supplier of Electrical and Electronic Components

Click to view similar products for [Standard Card Edge Connectors](#) category:

Click to view products by [TE Connectivity](#) manufacturer:

Other Similar products are found below :

[CR7E-30DB-3.96E\(72\)](#) [6364499-1](#) [6565204-6](#) [PKC-156](#) [1437274-4](#) [147889-1](#) [1489165-4](#) [EBT15622B2X](#) [1-582587-1](#) [284-0102-12100](#)
[286-0052-12101A](#) [306022901000000](#) [307-012-502-202](#) [307-056-520-300](#) [2129318-1](#) [245-062-520-350](#) [287-0032-12101](#) [306-028-525-102](#)
[307-072-526-202](#) [345-060-559-303](#) [392-008-559-201](#) [534671-1](#) [341-240-317](#) [345-044-500-300](#) [346-240-318](#) [395-100-524-300](#) [09-07-2032](#)
[10035388-802LF](#) [10115859-011LF](#) [10122859-009LF](#) [10127905-B04B24BLF](#) [530555-1](#) [5-678046-1](#) [73726-0005](#) [66308-1](#) [1-1437275-6](#)
[PEC-07-02-T-S-A](#) [346-014-520-801](#) [307-048-502-202](#) [CE100F22-9-C](#) [CE100F26-7-C](#) [CE100F28-3-D](#) [CE156F18-9-C](#) [CE156F22-5-D](#)
[CE156F22-9-C](#) [CT100F22-2-D](#) [CT100F22-3-D](#) [CT100F24-2-D](#) [CT100F24-3-D](#) [CT100F24-6-C](#)