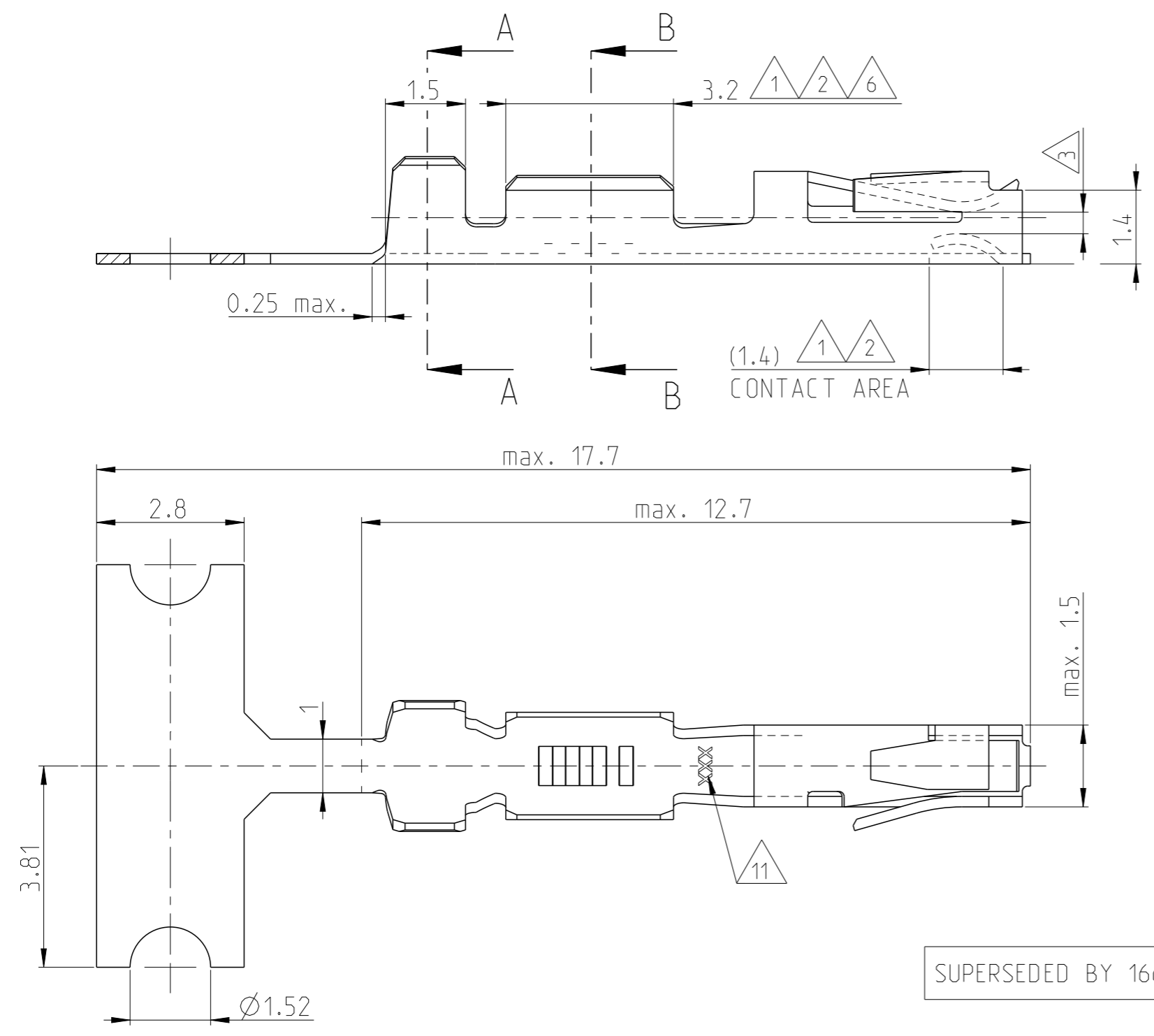


THIS DRAWING IS UNPUBLISHED. RELEASED FOR PUBLICATION 20  
 © COPYRIGHT - BY - ALL RIGHTS RESERVED.

| REVISIONS |     |   |            |      |      |
|-----------|-----|---|------------|------|------|
| P         | LTR | DESCRIPTION                             | DATE       | DWN  | APVD |
|           | Z1  | REVISED PER ECO-11-005150               | 21MAR2011  | RK   | HMR  |
|           | Z2  | NEW DRAWING CREATED IN CREO             | 26JUNE2014 | JBH  | BRUN |
|           | Z3  | NOTE 8 MODIFIED                         | 18NOV2015  | MAH. | BRUN |
|           | Z4  | TOLERANCES ADDED AT SECTION A-A AND B-B | 21JAN2016  | MAH. | BRUN |



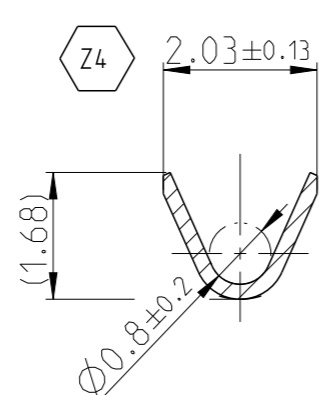
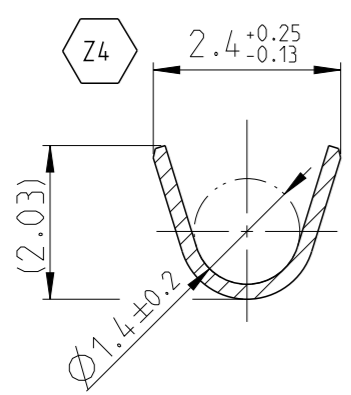
- NOTES:
- 1 UNDERCOATING: 0.8 µm NICKEL OVERALL  
CONTACT AREA: 0.8 µm GOLD  
CRIMP AREA: GOLDFLASH
  - 2 UNDERCOATING: 0.8 µm NICKEL OVERALL  
CONTACT AREA: 1.25 µm GOLD  
CRIMP AREA: GOLDFLASH
  - 3 SUITABLE FOR 0.64x0.64 POST
  - 6 UNDERCOATING: 0.8 µm NICKEL OVERALL  
CONTACT AREA: 0.4 µm GOLD  
CRIMP AREA: GOLDFLASH
  - 7 ADVANCED PROD. NRS. FOR DIN 41612 PART 5 SPEC
  - 8 PLATING: 2.0 µm TIN OVER MIN. 0.5 µm Ni OVERALL
  - 9 REVERSE REELED FOR USE WITH MINI APPLICATOR.
  - 10 STANDARD REELED FOR USE WITH STANDARD APPLICATOR.
  - 11 TRADE MARK.

| 166722-1           | 1       | PHOSPHORBRONZE | 1-166500-2  | 10  | Z |
|--------------------|---------|----------------|-------------|-----|---|
| 166722-6           | 8       |                | 1-166500-1  | 10  | Z |
| 166722-6           | 8       |                | 166500-9    | 9   | Z |
| 166722-4           | 6       |                | 166500-7    | 9   | W |
| 166722-2           | 2       |                | 166500-4    | 9   | Z |
| 166722-1           | 1       |                | 166500-2    | 9   | Z |
| 166722-1           | 1       |                | 166500-2    | 9   | Z |
| LOOSE PIECE NUMBER | PLATING | MATERIAL       | STRIPNUMBER | REV |   |

SUPERSEDED BY 166500-2

SECTION A-A

SECTION B-B



THIS DRAWING IS A CONTROLLED DOCUMENT.

| DIMENSIONS: | TOLERANCES UNLESS OTHERWISE SPECIFIED: |
|-------------|--|
| mm          | n. ISO 8015<br>n. ISO 2768-mH          |
| 0 PLC       | ±                                      |
| 1 PLC       | ±0.2                                   |
| 2 PLC       | ±                                      |
| 3 PLC       | ±                                      |
| 4 PLC       | ±                                      |
| ANGLES      | ±1°                                    |
| MATERIAL    | FINISH                                 |
| -           | -                                      |
| -           | -                                      |

DWN M.Pfeilschiffer 18JUL2000  
 CHK V.Huhn 18JUL2000  
 APVD -  
 PRODUCT SPEC -  
 APPLICATION SPEC -  
 WEIGHT -

**STE** TE Connectivity

NAME STANDARD TANDEM SPRING RECEPTACLE

SIZE A3 CAGE CODE 00779 DRAWING NO C-166500 RESTRICTED TO -

CUSTOMER DRAWING SCALE 10:1 SHEET 1 OF 1 REV Z4

## X-ON Electronics

Largest Supplier of Electrical and Electronic Components

*Click to view similar products for [Automotive Connectors](#) category:*

*Click to view products by [TE Connectivity](#) manufacturer:*

Other Similar products are found below :

[003-018-000](#) [60403001](#) [60993906-B](#) [M902-2131](#) [M902-2161](#) [M902-2344](#) [72.330.1035.1](#) [73.353.4028.0](#) [F119300-B](#) [F166900](#) [F258300-B](#)  
[F358300-B](#) [F407400](#) [F444110](#) [F487000](#) [F509500B-B](#) [827153-1](#) [8N1515-32-24P](#) [9-1326729-8](#) [925474-1](#) [928905-1](#) [964562-4](#) [968782-1](#)  
[GT17SA-8DS-HU](#) [98891-1012](#) [98947-1016](#) [12004147](#) [12004475-L](#) [12010290](#) [12010309-B](#) [12015454](#) [12020219-B](#) [12041318-B](#) [12052225-](#)  
[L](#) [12052466](#) [12064869](#) [12004327-B](#) [12015308](#) [12015384](#) [12015909](#) [1-21030-1](#) [12041254](#) [12041318](#) [12047946-B](#) [12047957](#) [12047957-L](#)  
[12059473](#) [12066261](#) [12110546](#) [12110546-B](#)