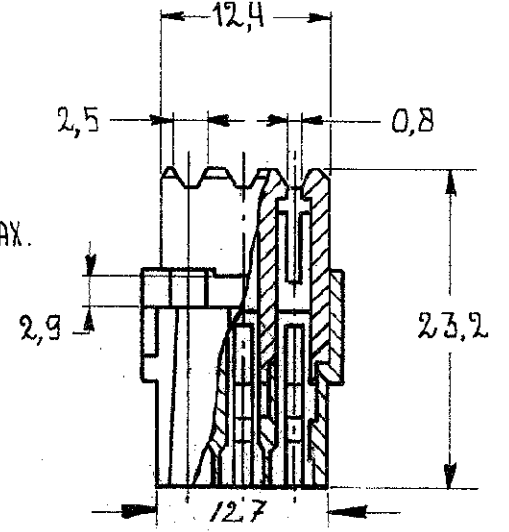
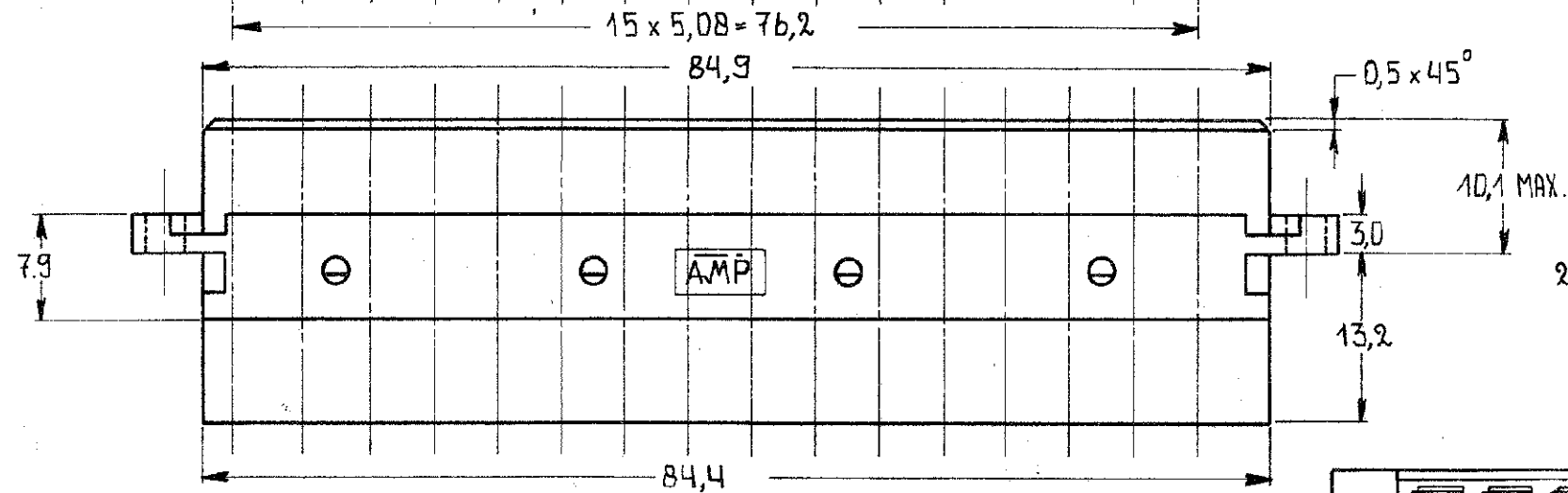
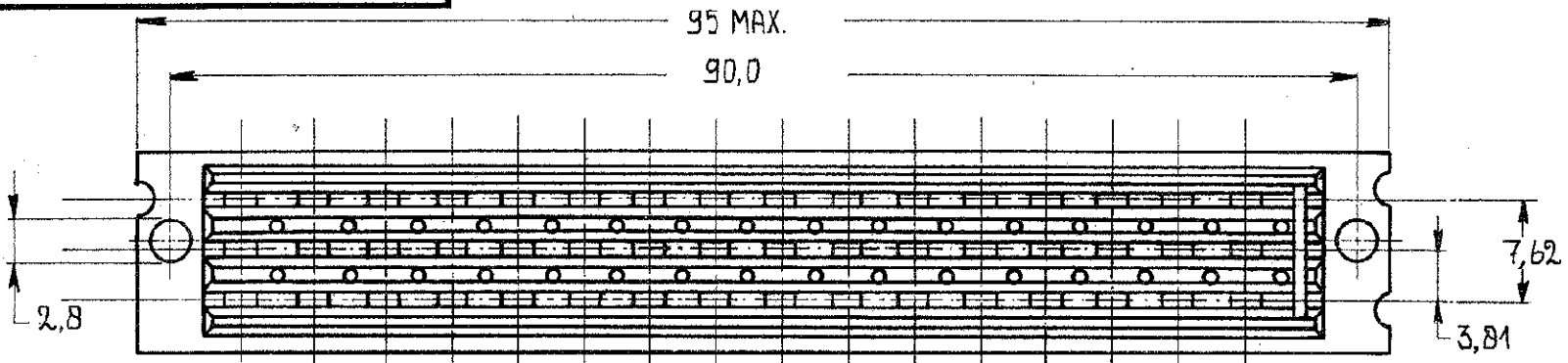


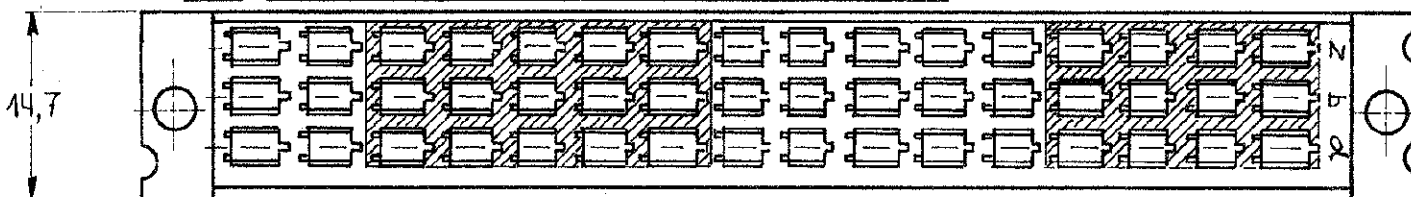
DRAWING MADE IN AMERICAN PROJECTION

REV	DESCRIPTION	DATE	DWN	APR
G1	ECO-11-005027	6APR11	RK	HMR

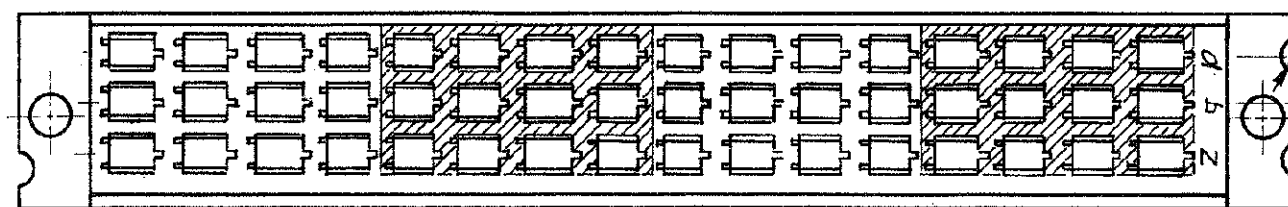


△ OBSOLETE

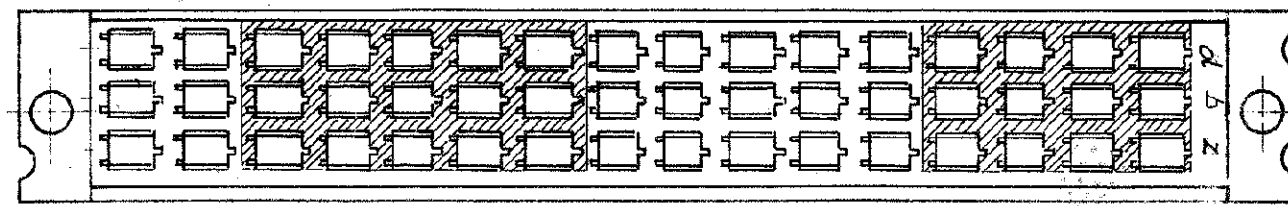
NOTE: BLOCK MARKING AND CAVITY NUMBERS PRINTED IN GREEN COLOR.



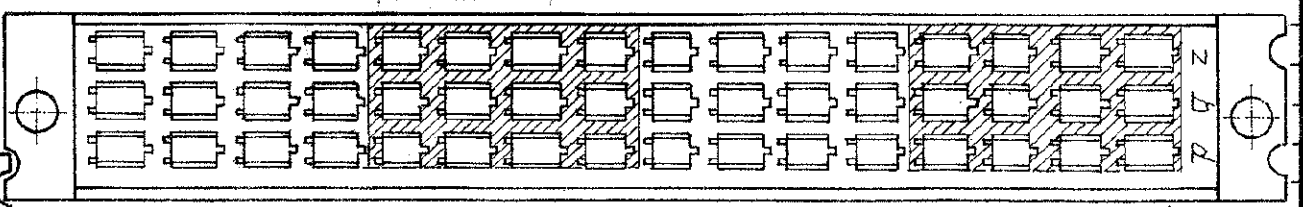
STYLE 3 FURTHER EQUAL TO 1.



STYLE 2.



STYLE 1



STYLE 4

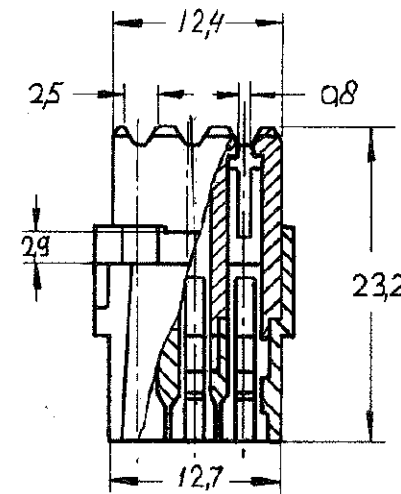
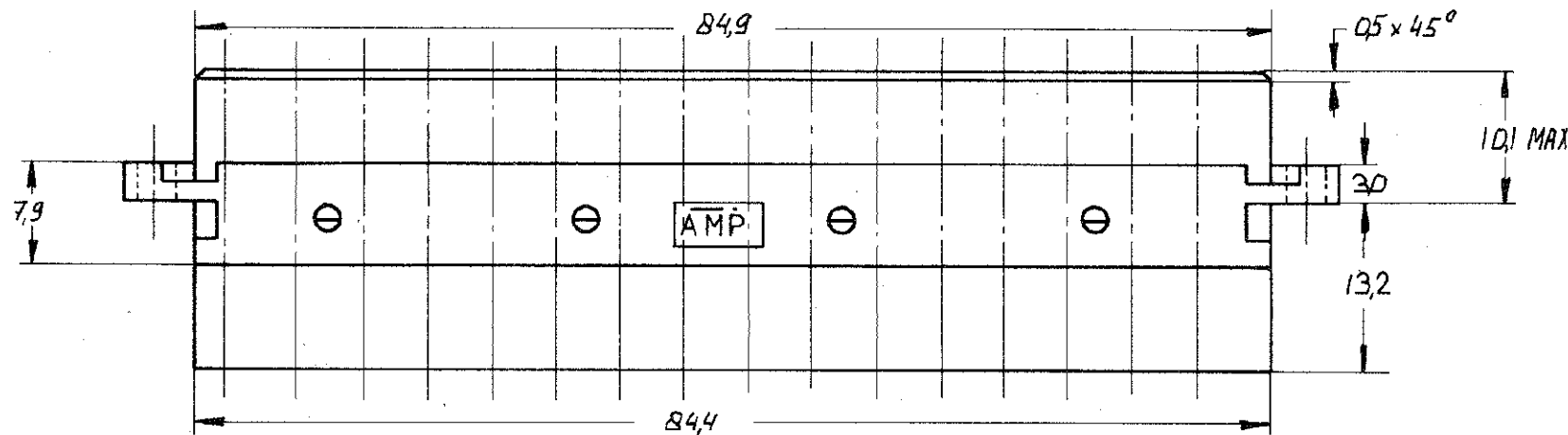
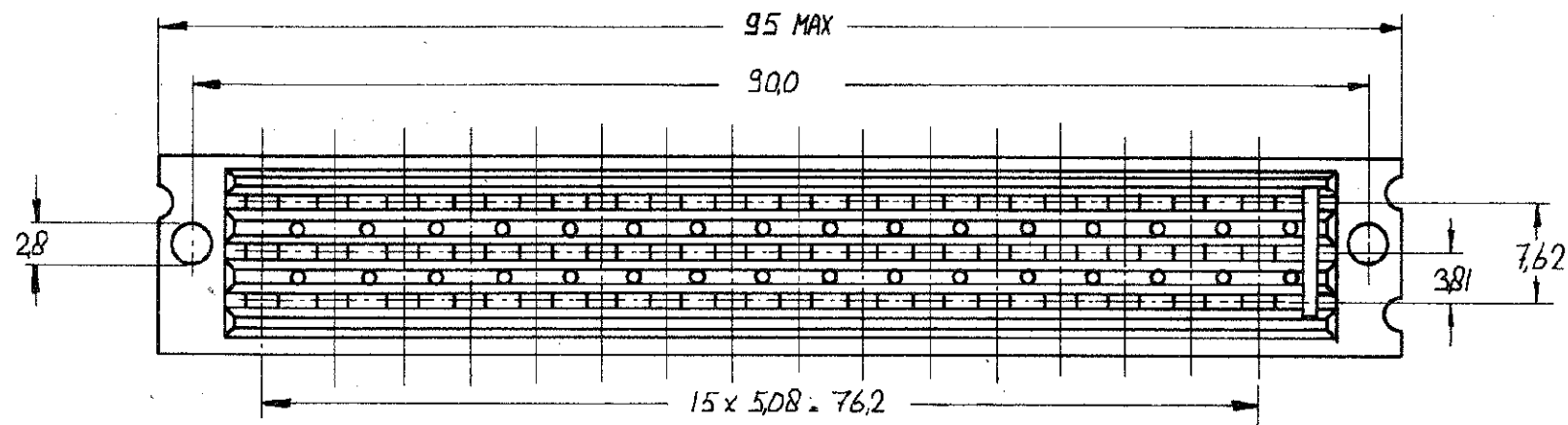
166569-9	20% GLASS FILLED NORYL	GREY DAL 7032	4
166569-8	20% GLASS FILLED NORYL	GREY RAL 7032	3
166569-7	20% GLASS FILLED NORYL	GREY RAL 7032	1
166569-1	20% GLASS FILLED NORYL	GREY RAL 7032	2
ORDER NO.	MATERIAL	COLOR	STYLE

CUSTOMER COPY FOR REFERENCE ONLY

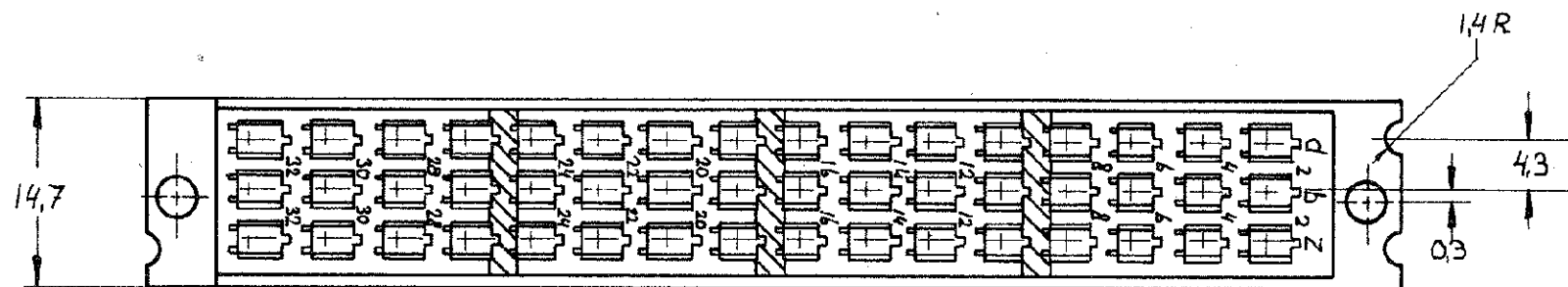
DR L VAN DER HEYDEN	DATE 29.03.80		
DATE 8.10.80	DATE 8.10.80		
WIRE-RANGE	INSUL-RANGE	FIRST USED	SCALE 2:1
SIZE B	NO C 166569	SHEET 1 OF 2	
NAME HOUSING, 48 POS., MIDI IEC CONNECTOR FOR CRIMP/SNAP-IN TAB RECEPTACLES (FEM.)		REV G1	

DIMENSIONS IN M.M. - DO NOT SCALE PRINT

REV	DESCRIPTION	DATE	DWN	APR
-	SEE SHEET 1	-	-	-



NOTE:
1: BLOCK MARKING AND CAVITY NUMBERS PRINTED IN GREEN COLOR.



GREY RAL 7032	GLASSFILLED NORYL 20%	1.166569.0
COLOR	MATERIAL	PART NUMBER

CUSTOMER DRAWING
FOR REFERENCE ONLY
WILL NOT BE UPDATED



THIS DRAWING IS UNPUBLISHED | RELEASED FOR PUBLICATION | 19

DR. M. VAES 19.1.83

WIRE RANGE

NAME 48 POS FEMALE HOUSING TYPE F FOR CRIMP/SNAP IN CONTACT

REV. DATE
D M Y

CHK. *[Signature]* 20-1-83

INSUL RANGE

6 04 11

APP.

SIZE A3 SHEET 2 OF 2

DRAWING NO. C 166569

REV. LTR G1

X-ON Electronics

Largest Supplier of Electrical and Electronic Components

Click to view similar products for [DIN 41612 Connectors](#) category:

Click to view products by [TE Connectivity](#) manufacturer:

Other Similar products are found below :

[09231126901](#) [PCN10F-24P-2.54DS\(72\)](#) [004.767](#) [02221602702](#) [024069](#) [602427301412000](#) [013275](#) [691327-1](#) [74670-0732](#) [74680-0340](#)
[75880-0015](#) [76453-0014](#) [86093159ALF](#) [923454](#) [QLC260R](#) [120X10099X](#) [120X10019X](#) [120X10089X](#) [120X10129X](#) [121A10039X](#)
[121A10309X](#) [122A10019X](#) [122A10029X](#) [122A10249X](#) [122A10669X](#) [122A11089X](#) [122A13089X](#) [122A10089X](#) [122A10129X](#)
[122A10349X](#) [122A13359X](#) [1377391-4](#) [1393583-2](#) [1393726-7](#) [140X10059X](#) [140X10129X](#) [143-1913-000](#) [143-1908-000](#) [1484472-1](#) [173052](#)
[2110070-1](#) [2110070-2](#) [CBC20T00-008FDS5-0-1-002VR](#) [983-0SE12-12P6](#) [17041102202](#) [172699-5036](#) [173051](#) [PCN10-96S-2.54DSA\(77\)](#) [2-](#)
[1393557-4](#) [2-1437084-2](#)