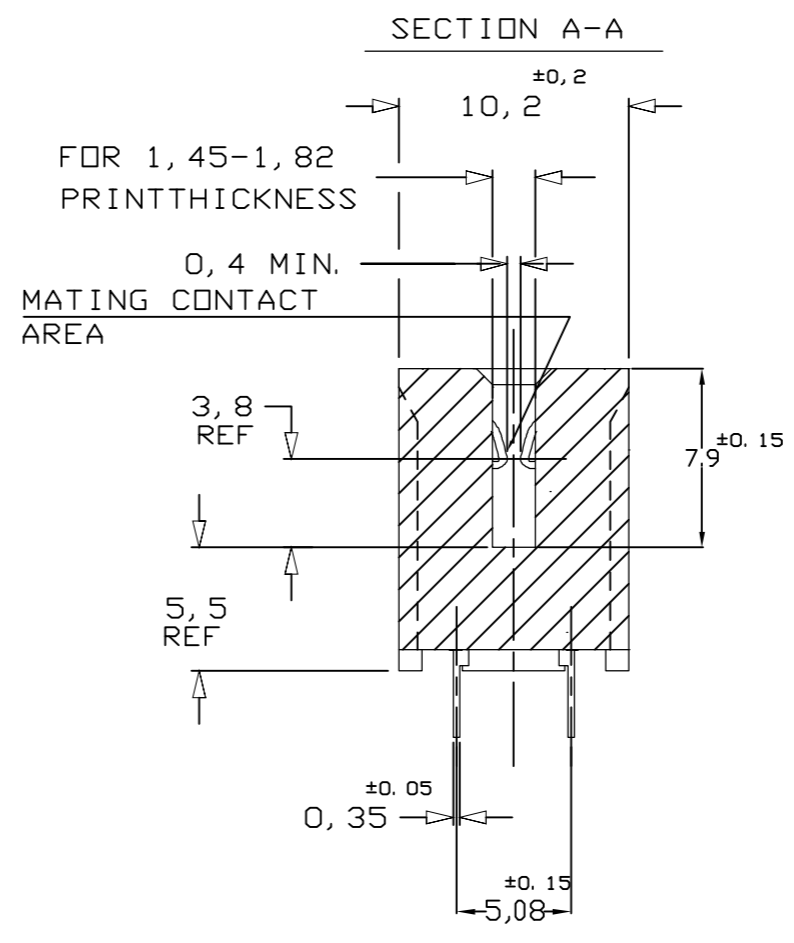
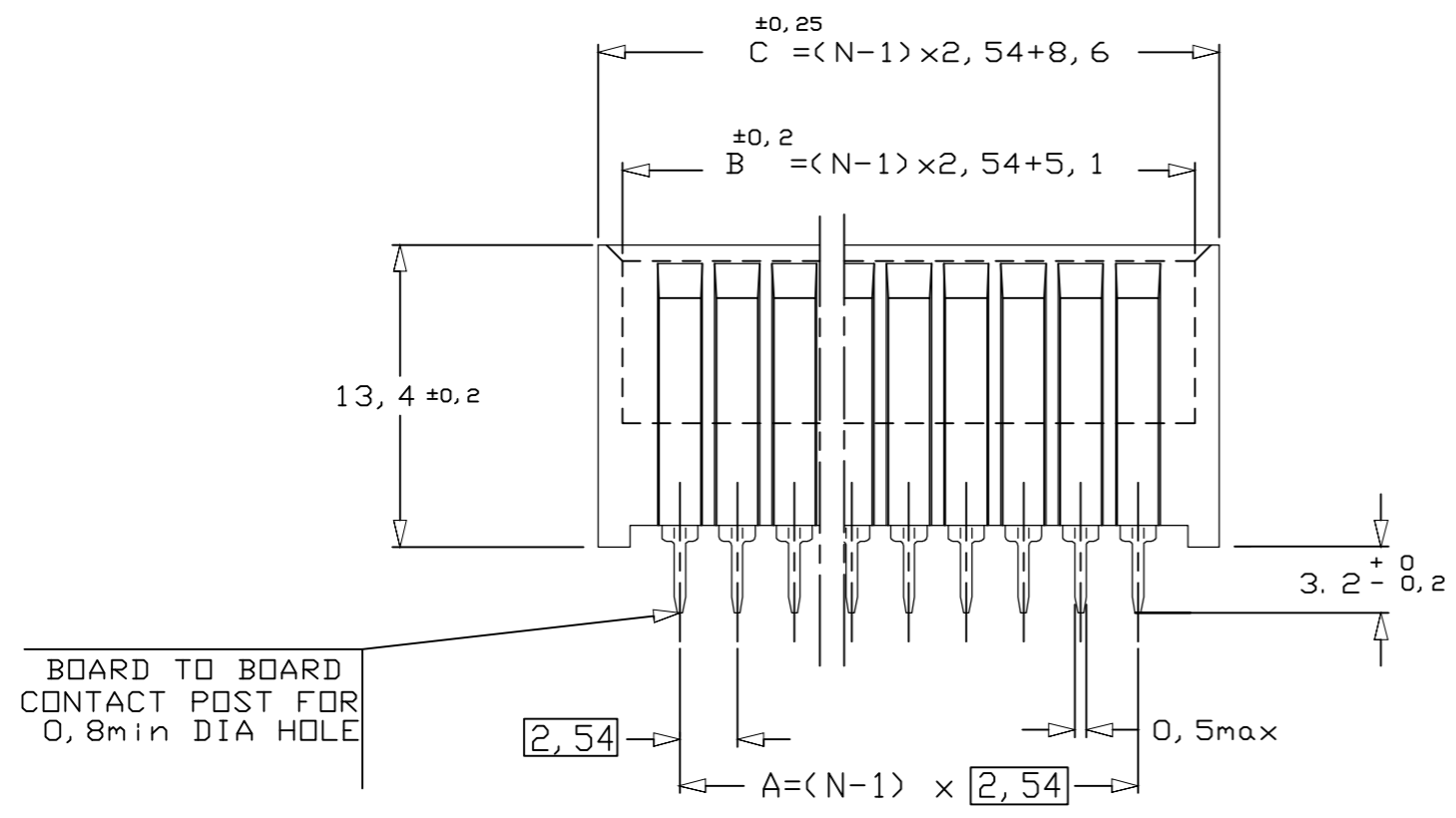
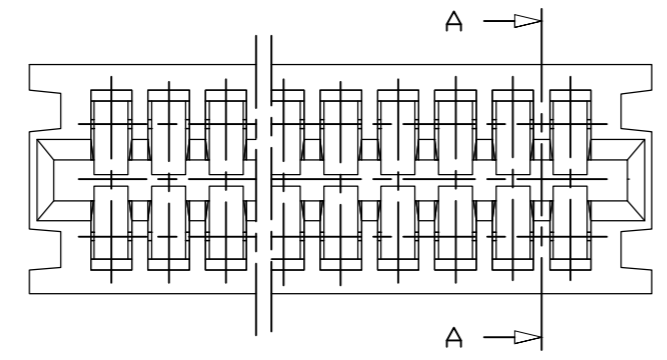


- NOTES:**
- FOR TYCO P/N PLEASE SEE TABLE
 - FOR CALCULATING DIMENSIONS:
TAKE NUMBER OF POSITIONS
FOR EXAMPLE: 13 POSITIONS
 $C = (N-1) \times 2,54 + 8,6$
 - MATING CONTACT AREA LUBRICATED
WITH LUBRICANT ELECTROLUBE 2X.
 - PRODUCT SPECIFICATION 108-19041
 - PACKAGING: ON PLASTIC TUBES, BOXED



POS.	DIM "A"	DIM "B"	DIM "C"	TYCO P/N
13	30.48	35.58	39.08	1-166774-3
12	27.94	33.04	36.54	1-166774-2
10	22.86	27.96	31.46	1-166774-0
6	12.70	17.80	21.30	166774-6

CONTACT: 3,0µm MIN TIN PLATED ON ENTIRE CONTACT, OVER 1,25µm MIN NICKEL PLATED UNDERLAYER	HOUSING: THERMOPLASTIC POLYESTER 20% GF, UL94-V0 COLOUR GREEN CONT. : PH. BRONZE H06	166774-... (SEE TABLE)
FINITURA / COLORE (FINISH / COLOUR)	MATERIALE (MATERIAL)	NUMERO (PART NUMBER)

CUSTOMER DWG. FOR REFERENCE ONLY

DISEGNO PER CLIENTE SOLD PER RIFERIMENTO

THIS DRAWING IS UNPUBLISHED RELEASE FOR PUBLICATION 19

© COPYRIGHT 19 BY AMP INCORPORATED, HARRISBURG, PA. ALL INTERNATIONAL RIGHT RESERVED. AMP PRODUCTS MAY BE COVERED BY U.S. AND FOREIGN PATENT AND/OR PATENT PENDING

TOLLERANZE: SE NON DIVERSAMENTE SPECIFICATO (TOLERANCES: UNLESS OTHERWISE SPECIFIED)

DIAM. ISOLANTE (INS. DIA. RANGE)

RANGO FILE (WIRE RANGE)

SCALA (SCALE)

± 0,3

± 2°

J3	CORRECTED PLATING INFORMATION	D. C.	13SEP 2005	ANGOLI (ANGLES)	± 2°
J2	REVISED FOR ET00-0016-04	D. C.	09FEB 2004	DIS. (DR.)	D. CHIARELLI
J1	REVISED FOR ET00-0115-03	D. C.	24JUN 2003	CONTORE (CHK)	R. MARSEGLIA
J	REVISED FOR ET00-0068-03	P. B.	9MAY 2003	CONTORE (CHK)	R. MARSEGLIA
H	REDRAWN FOR ET00-148-02	D. C.	17SEP 2002	APP. (APP.)	C. TARTARI

tyco Electronics

AMP ITALIA S.p.A.
Corso F.lli Cervi, 15
COLLEGNANO (TORINO)

DESCRIZIONE (DESCRIPTION) 6, 10, 12, 13 POS. AMP-EDGE CONN., DUAL LOADED WITH B. T. B. CONTACTS

LOC. SIZE NUMERO (DWG NO) I A3 C-166774 J3

REV. FOGLIO (SHEET) 1 DI 1

DISTRIBUZIONE (PRINT DIST.)

X-ON Electronics

Largest Supplier of Electrical and Electronic Components

Click to view similar products for [Standard Card Edge Connectors](#) category:

Click to view products by [TE Connectivity](#) manufacturer:

Other Similar products are found below :

[CR7E-30DB-3.96E\(72\)](#) [6364499-1](#) [6565204-6](#) [PKC-156](#) [1437274-4](#) [147889-1](#) [1489165-4](#) [EBT15622B2X](#) [1-582587-1](#) [284-0102-12100](#)
[286-0052-12101A](#) [306022901000000](#) [307-012-502-202](#) [307-056-520-300](#) [2129318-1](#) [245-062-520-350](#) [287-0032-12101](#) [306-028-525-102](#)
[307-072-526-202](#) [345-060-559-303](#) [392-008-559-201](#) [534671-1](#) [341-240-317](#) [345-044-500-300](#) [346-240-318](#) [395-100-524-300](#) [09-07-2032](#)
[10035388-802LF](#) [10115859-011LF](#) [10122859-009LF](#) [10127905-B04B24BLF](#) [530555-1](#) [5-678046-1](#) [73726-0005](#) [66308-1](#) [1-1437275-6](#)
[PEC-07-02-T-S-A](#) [346-014-520-801](#) [307-048-502-202](#) [CE100F22-9-C](#) [CE100F26-7-C](#) [CE100F28-3-D](#) [CE156F18-9-C](#) [CE156F22-5-D](#)
[CE156F22-9-C](#) [CT100F22-2-D](#) [CT100F22-3-D](#) [CT100F24-2-D](#) [CT100F24-3-D](#) [CT100F24-6-C](#)