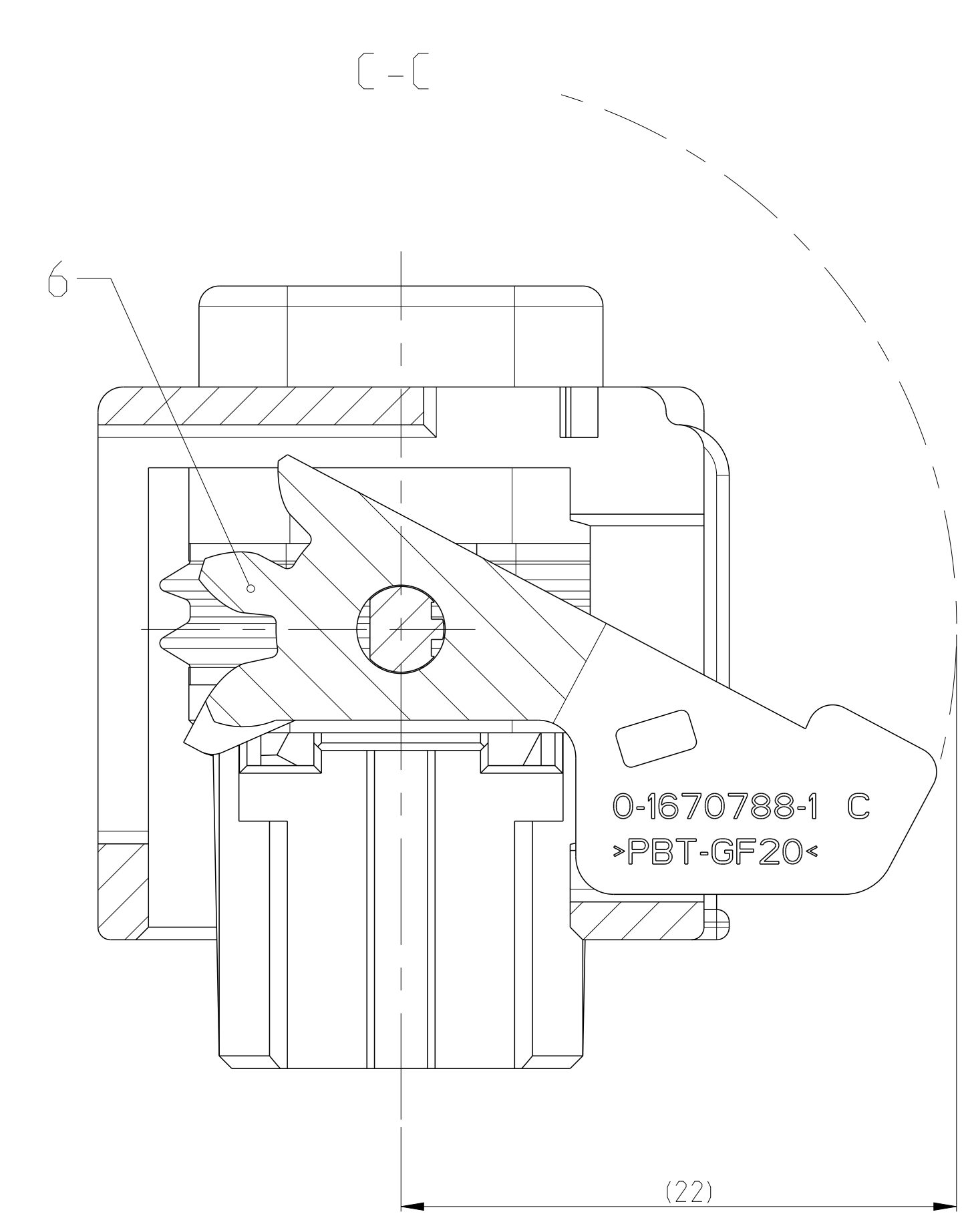
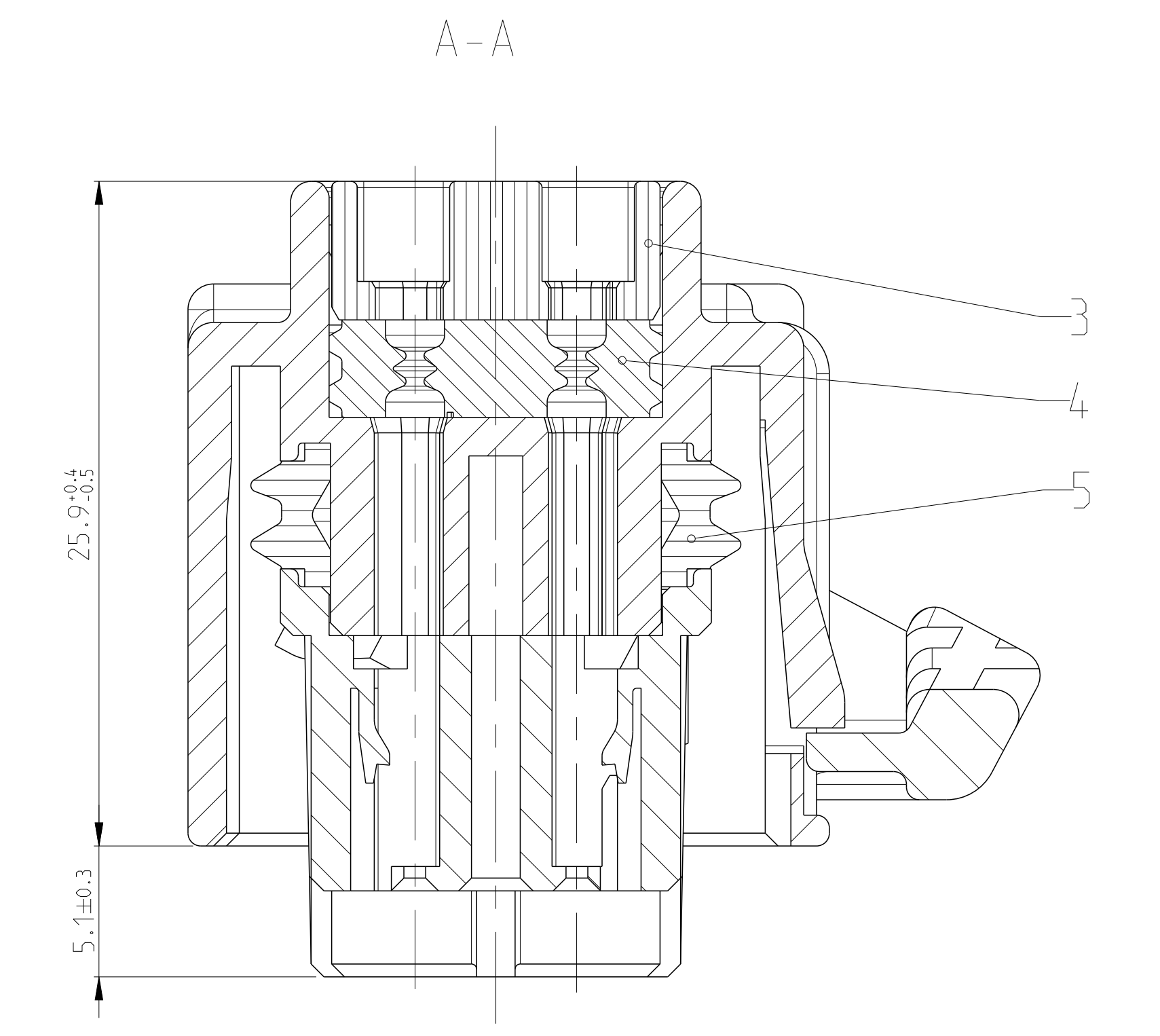
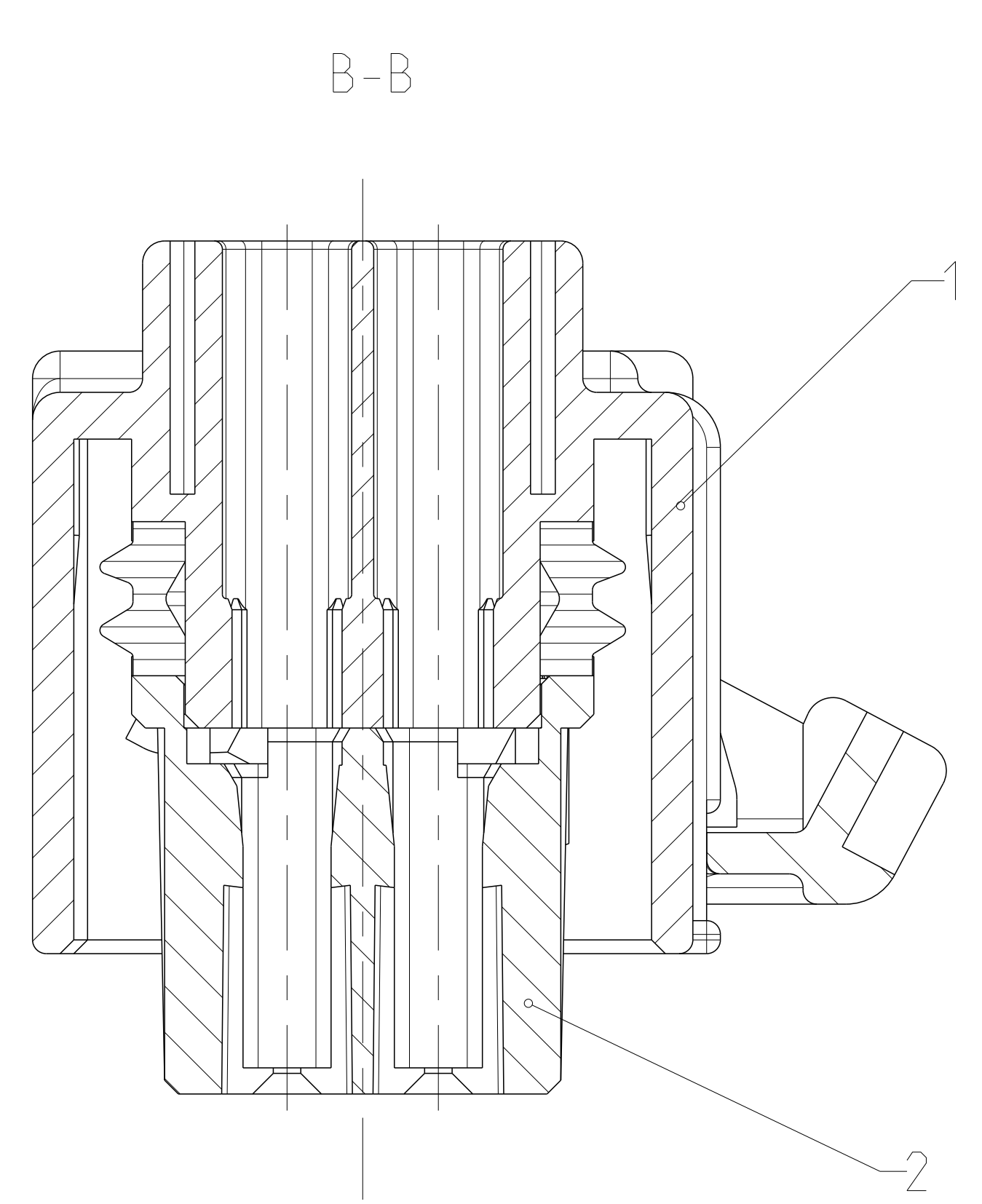
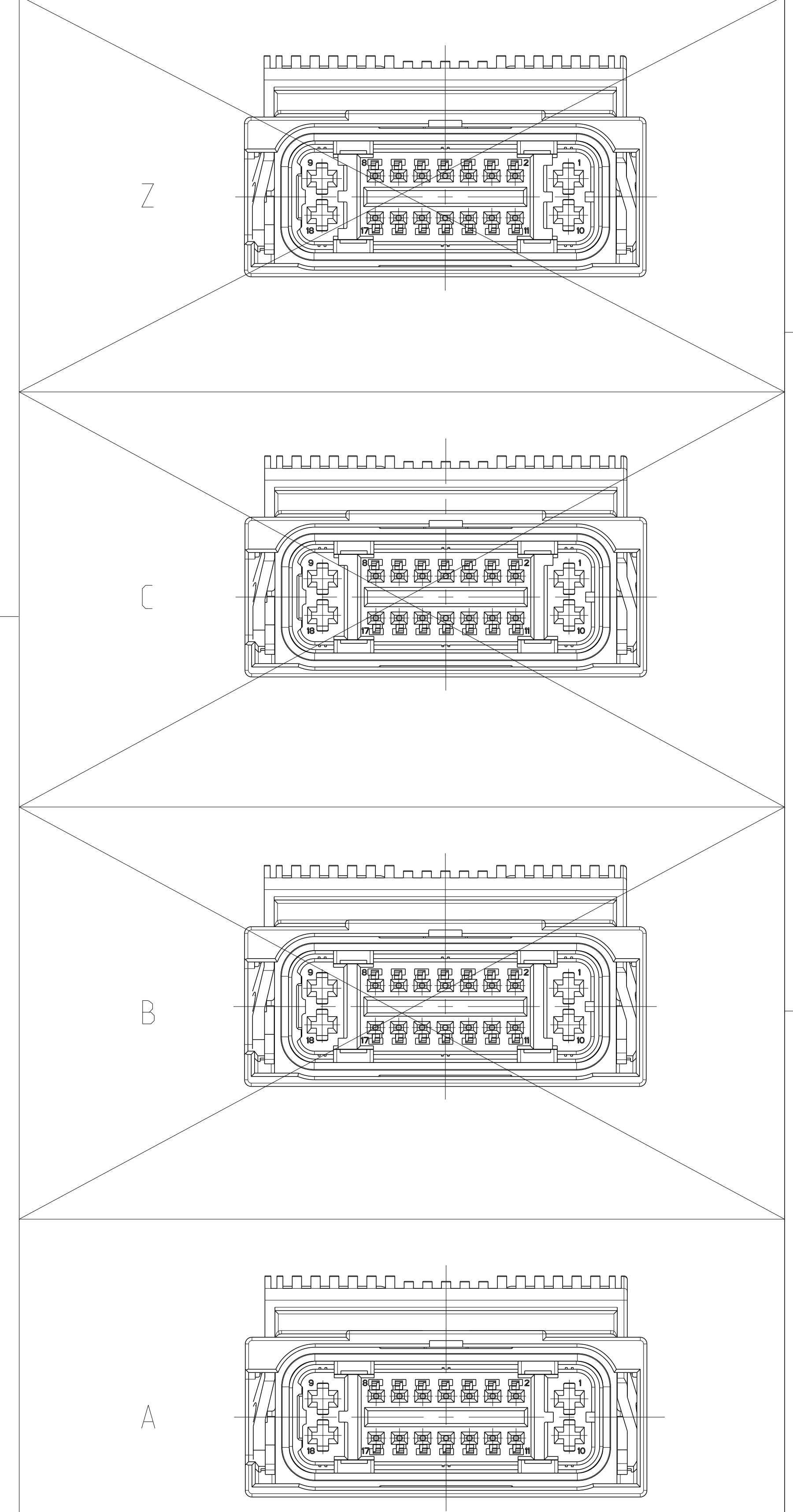


REVISIONS			
REV	DATE	BY	APPD
F	16MAR2012	RM	PN1
F.1	06NOV2012	RM	PN1
G	19MAY2013	RM	PN1
H	15APR2015	RM	PN1

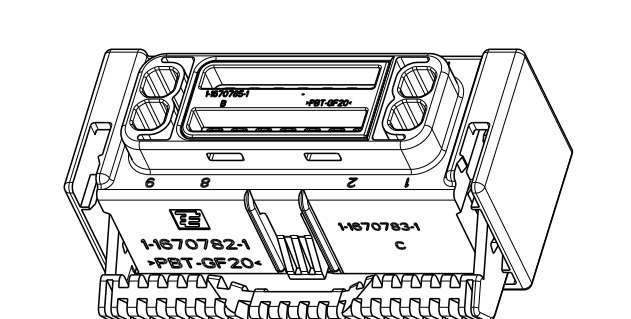
**CODINGS**  
 Kodierungen  
 2:1



- NOTES:**  
 Bemerkungen:
- PACKAGING: LOOSE PIECE INTO CARTON  
 Verpackung: Schüttgut in Karton
  - SUITABLE FOR 1670889  
 Passend zu: 1670889
  - CAVITY 1: 9, 10 AND 18 SUITABLE FOR CONTACT:  
 2.8mm SENSOR FLAT CONTACT  
 0.867543 (STRIP) OR 0.967717 (LOOSE PIECE) > 1.0mm? TO 2.5mm?  
 AND 0.82805 (SINGLE WIRE SEAL) INSULATION DIA. 2.2mm TO 3.0mm  
 Kommer 1: 9, 10 und 18 passend fuer Kontakt:  
 2.8mm Sensorflachkontakt  
 0.867543 (Bündel) oder 0.967717 (Loosepiece) > 1.0mm? bis 2.5mm?  
 und 0.82805 (Einleiterschlinge) Isolationsdurchmesser: 2.2mm bis 3.0mm
  - CAVITY 2 TO 8 AND 11 TO 17 SUITABLE FOR CONTACT:  
 MCON-1.2 CLEAN BODY  
 1.534594 (STRIP) OR 1.534595 (LOOSE PIECE) 0.35mm?  
 INSULATION DIA. 1.1mm TO 1.75mm  
 1.394897 (STRIP) OR 1.534063 (LOOSE PIECE) 0.5mm? TO 0.75mm?  
 INSULATION DIA. 1.1mm TO 1.5mm  
 Kommer 2 bis 8 und 11 bis 17 passend fuer Kontakt:  
 MCON-1.2 CLEAN BODY  
 1.534594 (Bündel) und 1.534595 (Loosepiece) 0.35mm?  
 1.394897 (1 Bündel) und 1.534063 (Loosepiece) 0.5mm? TO 0.75mm?  
 Isolationsdurchmesser: 1.1mm TO 1.5mm
  - CONTACT SURFACE ACCORDING TO MATING CONNECTOR  
 Kontaktoberfläche entsprechend dem Gegenstecker
  - ORDER OF ASSEMBLY:  
 1.) CONTACT MOUNTING  
 2.) 2. LOCK MOUNTING  
 3.) LEVER IN PRE LOCKED POSITION  
 Reihenfolge der Bestueckung:  
 1.) Kontaktbestueckung  
 2.) 2. Kontaktsicherung einbauen  
 3.) Hebel in Vorraststellung
  - INTERFACE DRAWING NO 114-18801  
 Schnittstellenzeichnung Nr. 114-18801

REV	DESCRIPTION	MATERIAL	COLOR	ITEM NO
1	LEVER	PBT-GF20	BLACK	6
1	RADIAL SEAL	ELASTOSIL	NATURE	5
1	FAMILY SEAL, MCON-1.2 CB	ELASTOSIL	NATURE	4
1	COVER FAMILY SEAL, MCON-1.2 CB	PBT-GF20	BLACK	3
1	18POS. MIXED REC HSG. LOWER PART	PBT-GF30	WATER BLUE	2
1	18POS. MIXED REC HSG. UPPER PART	PBT-GF20	BLACK	1
1	LEVER	PBT-GF20	BLACK	6
1	RADIAL SEAL	ELASTOSIL	NATURE	5
1	FAMILY SEAL, MCON-1.2 CB	ELASTOSIL	NATURE	4
1	COVER FAMILY SEAL, MCON-1.2 CB	PBT-GF20	BLACK	3
1	18POS. MIXED REC HSG. LOWER PART	PBT-GF30	BLUE	2
1	18POS. MIXED REC HSG. UPPER PART	PBT-GF20	BLACK	1
1	LEVER	PBT-GF20	BLACK	6
1	RADIAL SEAL	ELASTOSIL	NATURE	5
1	FAMILY SEAL, MCON-1.2 CB	ELASTOSIL	NATURE	4
1	COVER FAMILY SEAL, MCON-1.2 CB	PBT-GF20	BLACK	3
1	18POS. MIXED REC HSG. LOWER PART	PBT-GF30	BLACK	2
1	18POS. MIXED REC HSG. UPPER PART	PBT-GF20	BLACK	1

AS SHOWN (DELIVERY CONDITION)  
 WIE GEZEICHNET (Anlieferungszustand)



## X-ON Electronics

Largest Supplier of Electrical and Electronic Components

*Click to view similar products for [Automotive Connectors](#) category:*

*Click to view products by [TE Connectivity](#) manufacturer:*

Other Similar products are found below :

[003-018-000](#) [60403001](#) [60993906-B](#) [M902-2131](#) [M902-2161](#) [72.330.1035.1](#) [73.353.4028.0](#) [F119300-B](#) [F166900](#) [F258300-B](#) [F358300-B](#)  
[F407400](#) [F444110](#) [F487000](#) [F509500B-B](#) [827153-1](#) [8N1515-32-24P](#) [9-1326729-8](#) [925474-1](#) [928905-1](#) [964562-4](#) [968782-1](#) [GT17SA-8DS-](#)  
[HU](#) [98891-1012](#) [98947-1016](#) [12004147](#) [12004475-L](#) [12010290](#) [12010309-B](#) [12015454](#) [12020219-B](#) [12020308](#) [12041318-B](#) [12052225-L](#)  
[12052466](#) [12059125](#) [12064869](#) [12004327-B](#) [12010503-B](#) [12015308](#) [12015384](#) [12015909](#) [1-21030-1](#) [12041254](#) [12041318](#) [12047946-B](#)  
[12047957](#) [12047957-L](#) [12059473](#) [12066261](#)