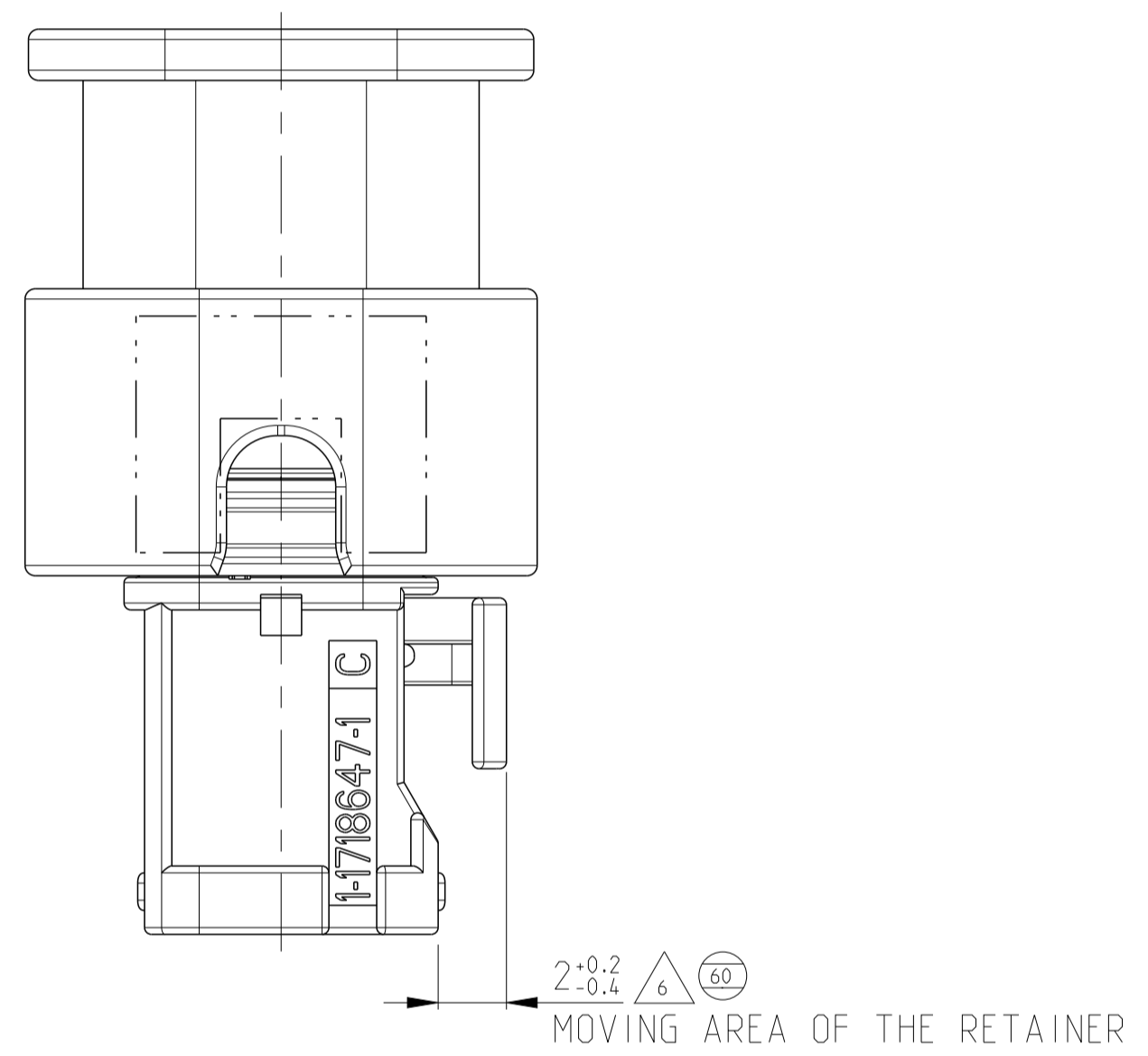
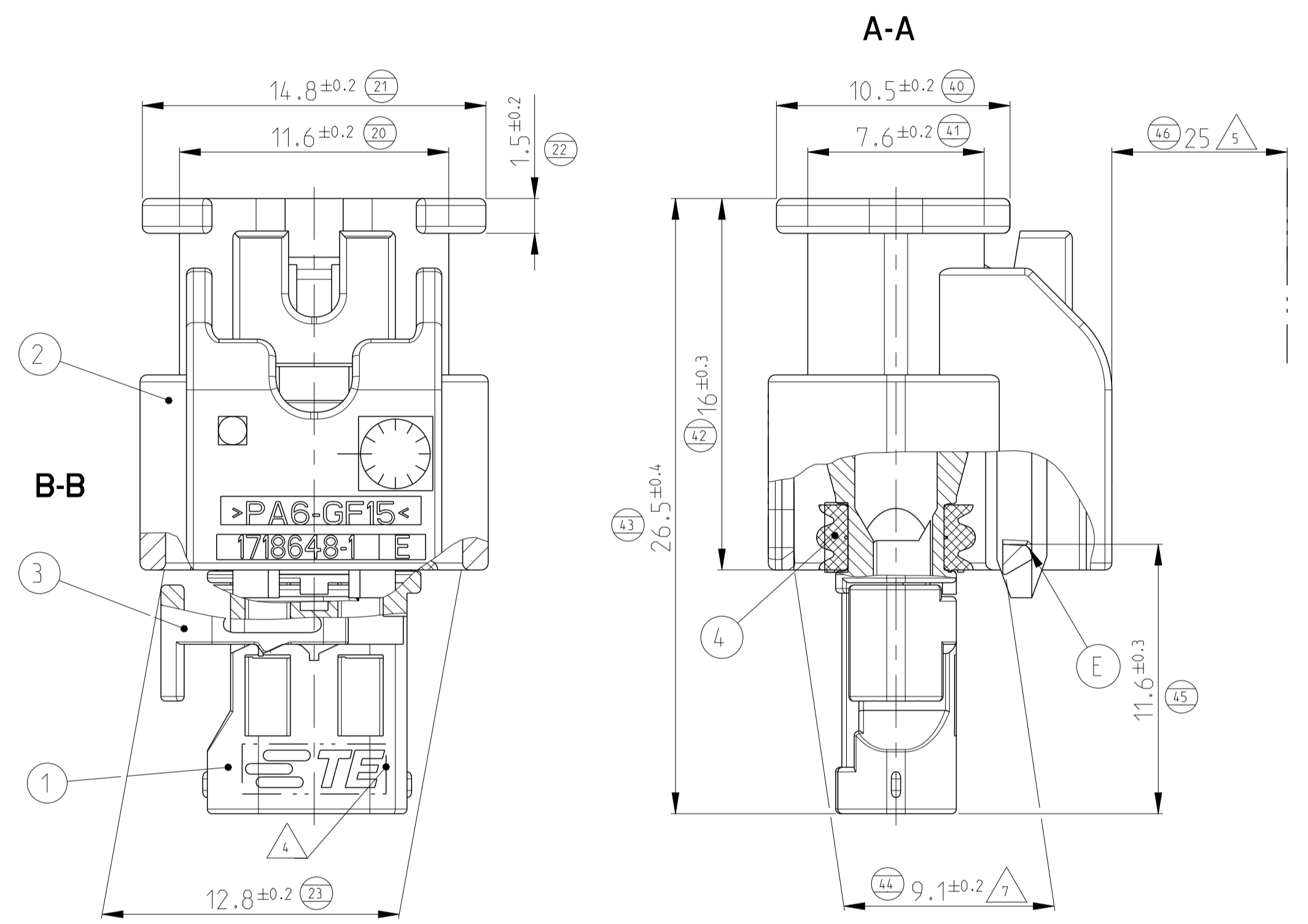
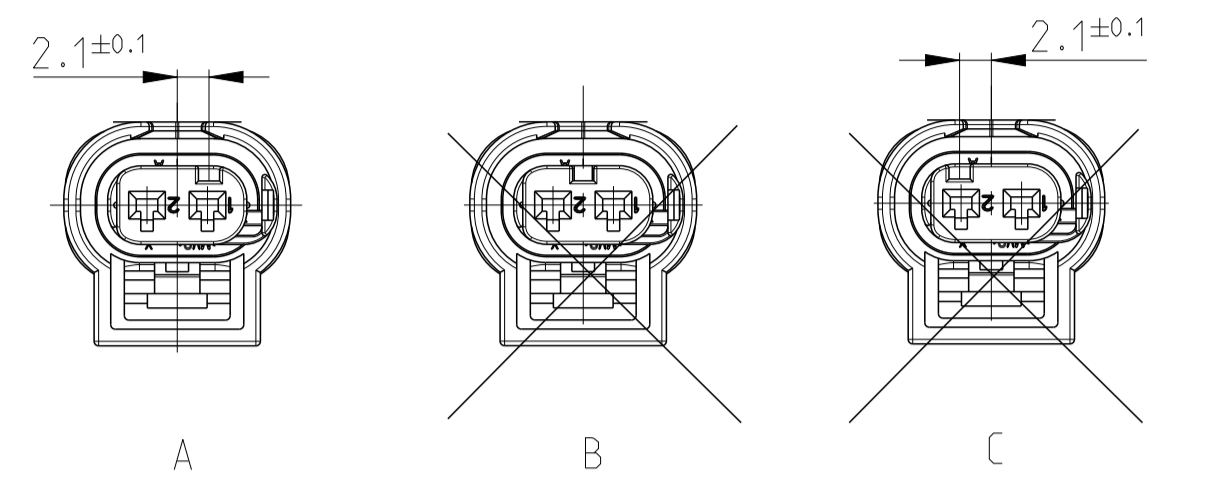


REVISIONS				
P.	LTA	DESCRIPTION	DATE	APVD
E		Inner Hsg. chamfer removed	03SEP2010	CLA ASC
E1		ECR-12017745	17OCT2012	SZN SZG
E2		LASER PRINT UPDATED	10DEC2019	SZN LSZ

CODINGS
M 2:1



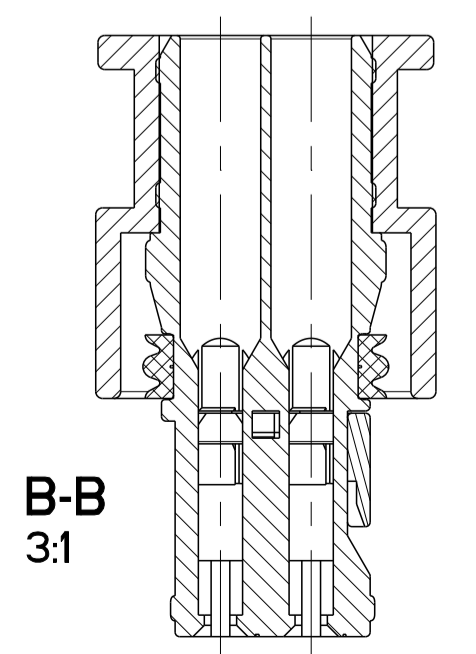
NOTES:

- 1 AREA FOR PRINT
- 2 USABLE CONTACTS MCON 1.2
SEE TE-NO. 1452674, SINGLE WIRE SYSTEM
- 3 MAX. WIRE SIZE RANGE 1.0 mm² FLR PERMITTED
FOR CAVITY-Ø 3.55MM
QUANTITY SEE WIRE HARNESS DRAWING
FOR PERMISSIBLE CURRENT CARRYING CAPACITY OF THE SINGLE CONTACT
SEE PRODUCT SPECIFICATION NO.108-18782
- 4 SUPPLIER-MARK
- 5 SPACE OF ACTIVITY
- 6 SUPPLY CONDITION: RETAINER IN PRELOCKED POSITION
- 7 WARPAGE PERMITTED TO MAX. -0.5mm
- 8 TE ORDER-NO.
- 9 ACCORDING TO INTERFACE DRAWING
SEE TE-NO. 114-18679-3
- 10 ASSEMBLY LINE SEGMENT IDENTIFICATION
- 11 DATE CODE (DDYY)
- 12 DIVERGENT MARKING FOR PARTS FROM DIFFERENT LOCATIONS (BR, CN, U.S...)

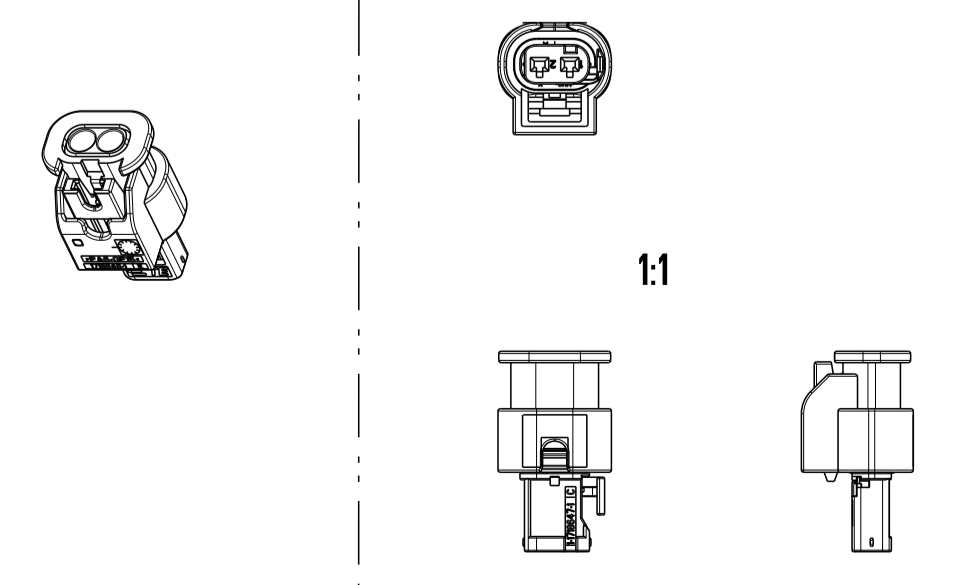
CODING A AS SHOWN

TE-ORDER-NO.	COD	DESCRIPTION	REV	QTY	DESCRIPTION	MATERIAL	SURFACE/COLOUR	ITEM
3-1670915-1	C	2pos. MCON 1.2 - LL Connector, Sealed	A	1	2pos. MCON 1.2 - Seal	MVQ-30	NATURE	4
				1	2pos. MCON 1.2 - Retainer	PA66-GF15	VIOLETT	3
				1	2pos. MCON 1.2 - Protec. Cover	PA6-GF15	BLACK	2
				1	2pos. MCON 1.2 - Recepticle Hsg.	PA66-GF30	BLUE	1
2-1670915-1	B	2pos. MCON 1.2 - LL Connector, Sealed	A	1	2pos. MCON 1.2 - Seal	MVQ-30	NATURE	4
				1	2pos. MCON 1.2 - Retainer	PA66-GF15	VIOLETT	3
				1	2pos. MCON 1.2 - Protec. Cover	PA6-GF15	BLACK	2
				1	2pos. MCON 1.2 - Recepticle Hsg.	PA66-GF30	NATURE	1
1-1670915-1	A	2pos. MCON 1.2 - LL Connector, Sealed	E	1	2pos. MCON 1.2 - Seal	MVQ-30	NATURE	4
				1	2pos. MCON 1.2 - Retainer	PA66-GF15	VIOLETT	3
				1	2pos. MCON 1.2 - Protec. Cover	PA6-GF15	BLACK	2
				1	2pos. MCON 1.2 - Recepticle Hsg.	PA66-GF30	BLACK	1

RETAINER IN END POSITION



3D VIEW 1:1



THIS DRAWING IS A CONTROLLED DOCUMENT.		OWN R. Bachmann 19DEC2006	TE Connectivity	
DIMENSIONS: mm		CHK A. Schraebel 26SEP2008		
TOLERANCES UNLESS OTHERWISE SPECIFIED:		APVD J. Woller 26SEP2008	NAME 2pos. MCON 1.2 - LL Connector, Sealed	
1-PLC	±0.1	PRODUCT SPEC	Version with turned rec. hsg.	
2-PLC	±0.2	APPLICATION SPEC	SIZE	RESTRICTED TO
3-PLC	±0.3	AND ISO 8015	114-18861	00779
4-PLC	±0.4	ANGLES 10°	WEIGHT 2.4 g	SCALE 15:1
MATERIAL		FINISH	CUSTOMER DRAWING	SHEET 1 OF 1
				REV E2

X-ON Electronics

Largest Supplier of Electrical and Electronic Components

Click to view similar products for [Automotive Connectors](#) category:

Click to view products by [TE Connectivity](#) manufacturer:

Other Similar products are found below :

[003-018-000](#) [60403001](#) [60993906-B](#) [M902-2131](#) [M902-2161](#) [72.330.1035.1](#) [73.353.4028.0](#) [F119300-B](#) [F166900](#) [F258300-B](#) [F358300-B](#)
[F407400](#) [F444110](#) [F487000](#) [F509500B-B](#) [827153-1](#) [8N1515-32-24P](#) [9-1326729-8](#) [925474-1](#) [928905-1](#) [964562-4](#) [968782-1](#) [GT17SA-8DS-](#)
[HU](#) [98891-1012](#) [98947-1016](#) [12004147](#) [12004475-L](#) [12010290](#) [12010309-B](#) [12015454](#) [12020219-B](#) [12020308](#) [12041318-B](#) [12052225-L](#)
[12052466](#) [12059125](#) [12064869](#) [12004327-B](#) [12010503-B](#) [12015308](#) [12015384](#) [12015909](#) [1-21030-1](#) [12041254](#) [12041318](#) [12047946-B](#)
[12047957](#) [12047957-L](#) [12059473](#) [12066261](#)