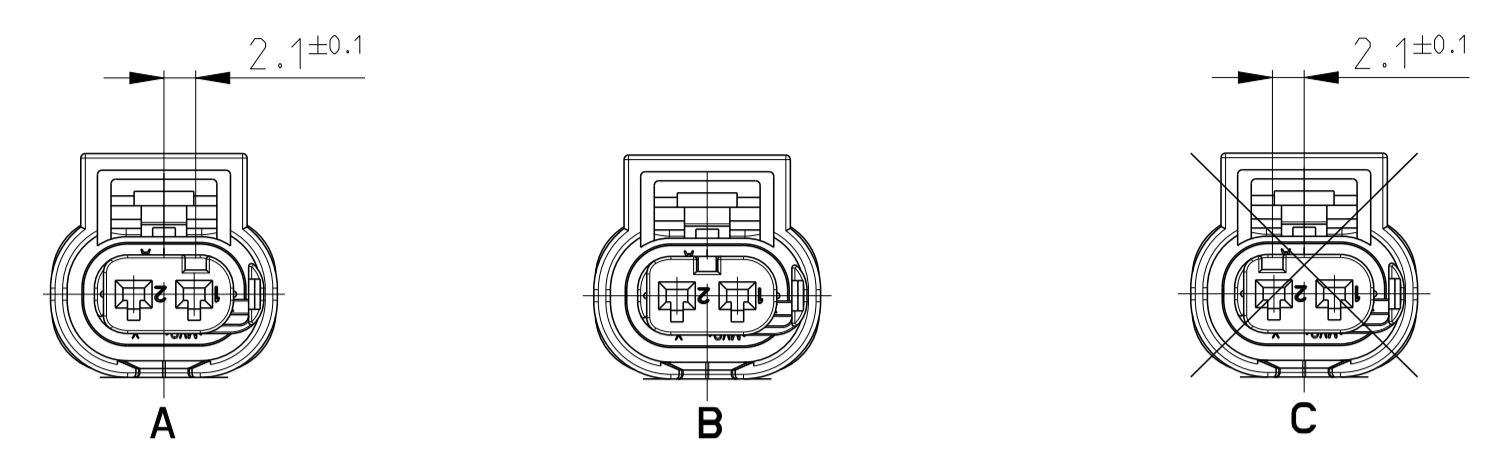


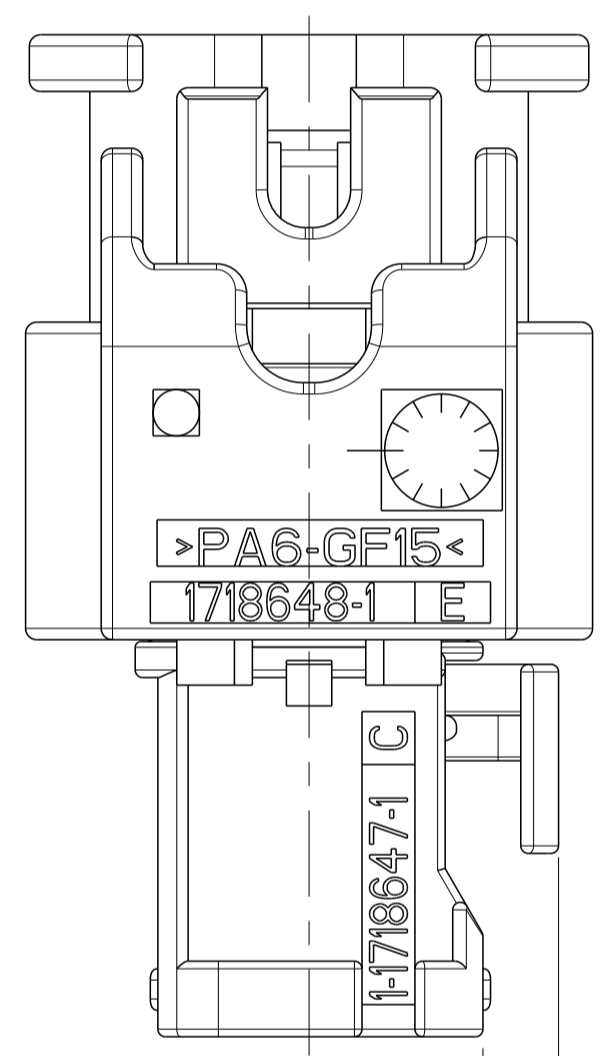
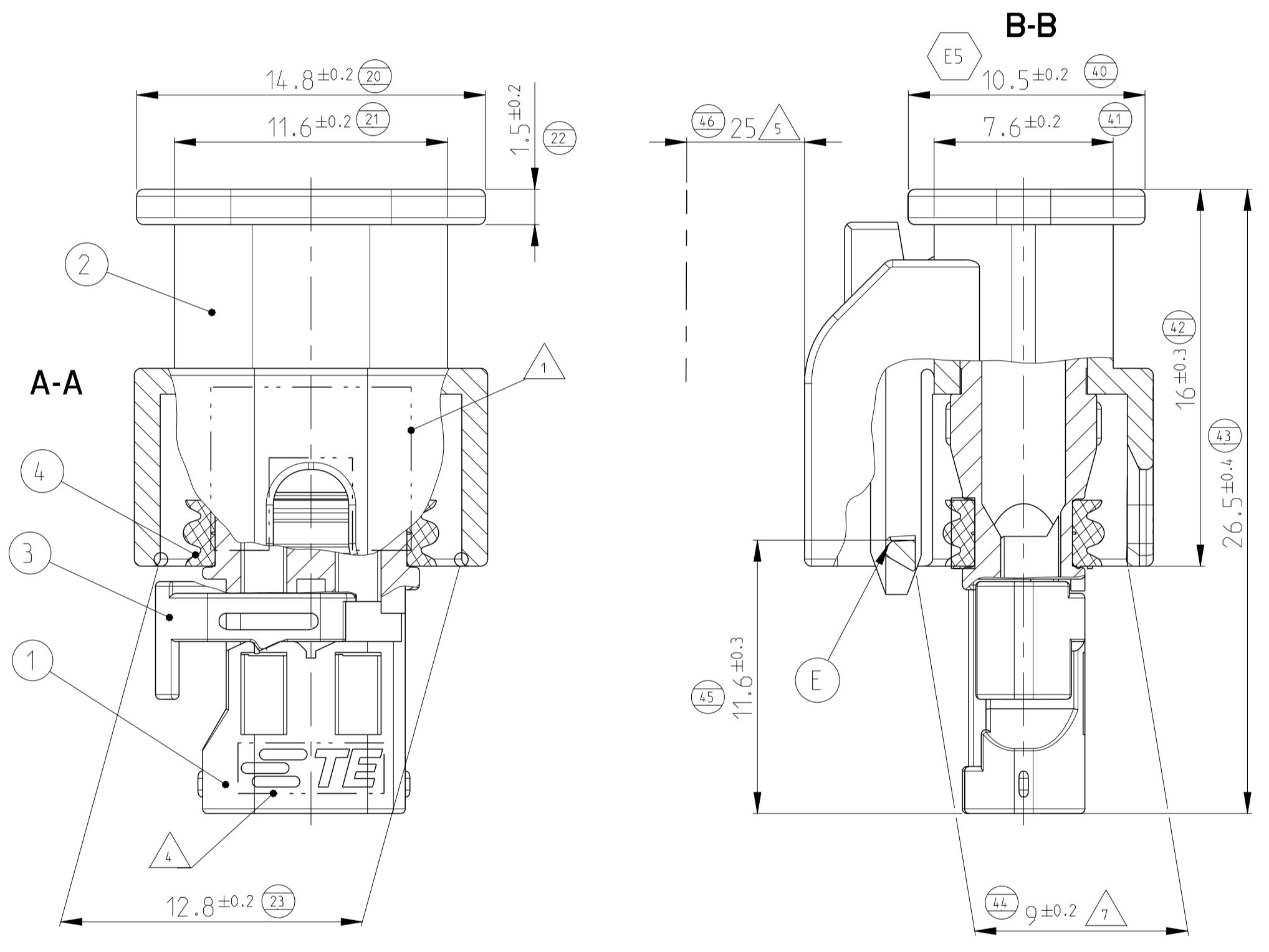
CODINGS
M 2:1

REVISIONS				
P.	LTN.	DESCRIPTION	DATE	APVD.
E2		LASER PRINT UPDATED WITH US VERS	17JUL2017	SZN RT
E3		LASER PRINT CORRECTED	06DEC2017	SZN LSZ
E4		DIVERGENT MARKING ADDED	16AUG2018	LSZ SZN
E5		LASER PRINT UPDATED. DIMENSION CORRECTED	08JAN2020	SZN LSZ



NOTES:

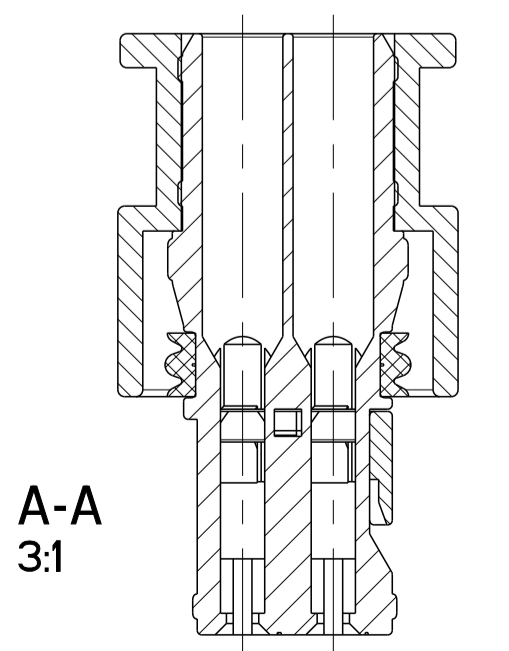
- 1 AREA FOR PRINT
- 2 USABLE CONTACTS MCON 1.2
SEE TE-NO. 1452674, SINGLE WIRE SYSTEM
- 3 MAX. WIRE SIZE RANGE 1.0 mm² FLR PERMITTED
FOR CAVITY-Ø 3.55MM
QUANTITY SEE WIRE HARNESS DRAWING
FOR PERMISSIBLE CURRENT CARRYING CAPACITY OF THE SINGLE CONTACT
SEE PRODUCT SPECIFICATION NO.108-18782
- 4 SUPPLIER-MARK
- 5 SPACE OF ACTIVITY
- 6 SUPPLY CONDITION: RETAINER IN PRELOCKED POSITION
- 7 WARPAGE PERMITTED TO MAX. -0.5mm
- 8 TE ORDER-NO.
- 9 ACCORDING TO INTERFACE DRAWING
SEE TE-NO. 114-18679-3
- 10 ASSEMBLY LINE SEGMENT IDENTIFICATION
- 11 DATE CODE (DDYY)
- E5 12 DIVERGENT MARKING FOR PARTS FROM U.S. and CHINA PRODUCTION



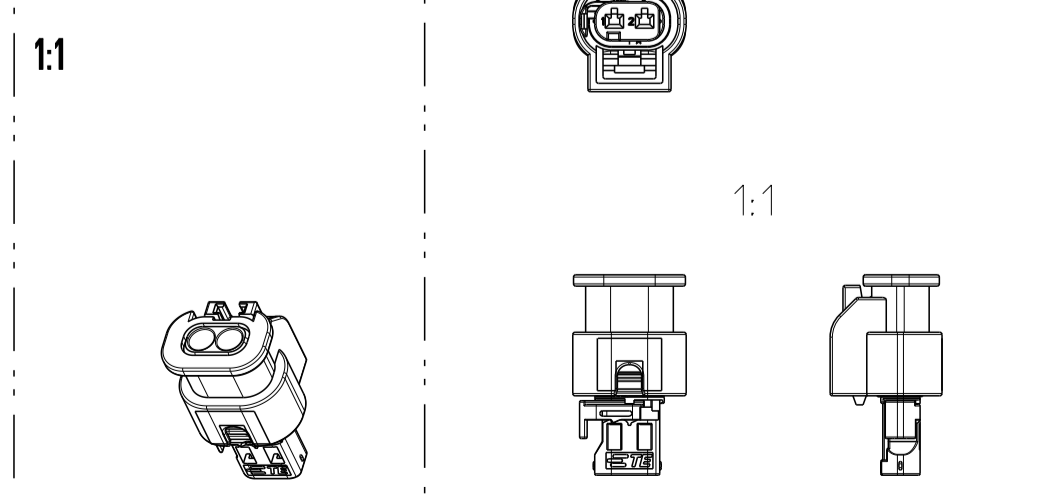
MOVING AREA OF THE RETAINER

CODING A AS SHOWN

RETAINER IN END POSITION



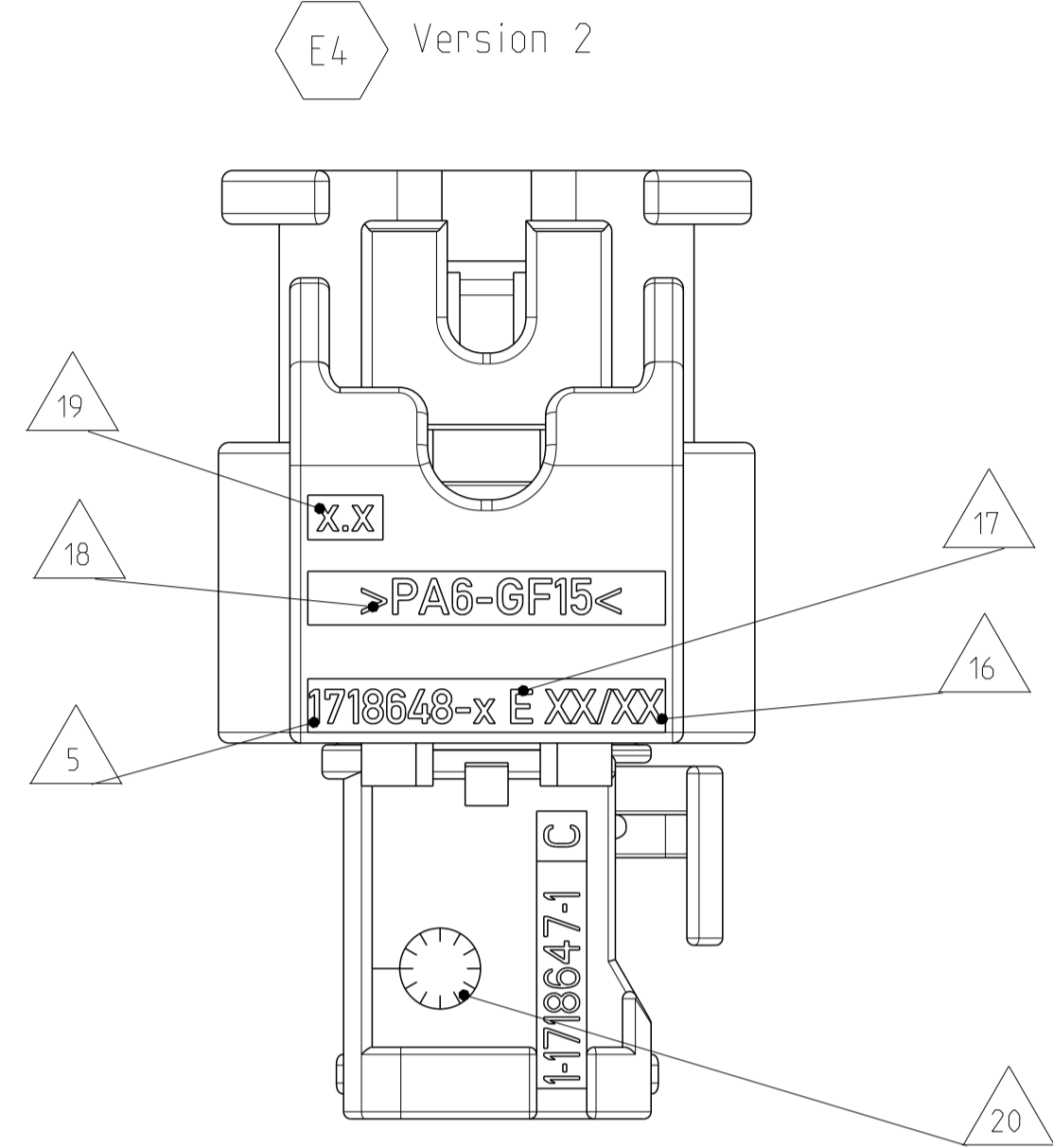
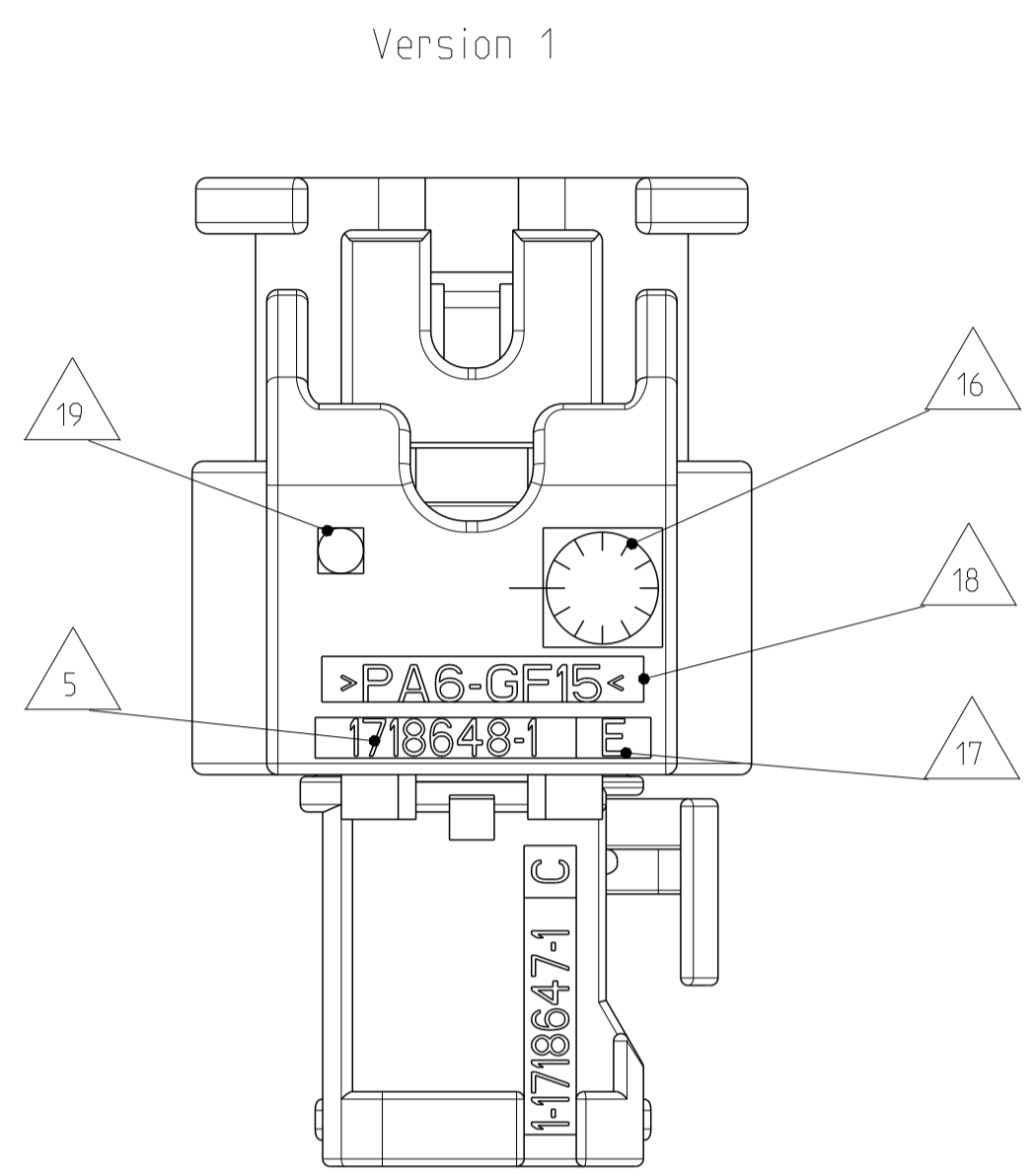
3D VIEW



THIS DRAWING IS A CONTROLLED DOCUMENT.		OWN R. Bachmann 19DEC2006	TE Connectivity	
DIMENSIONS: mm		CHK A. Schraebel		
TOLERANCES UNLESS OTHERWISE SPECIFIED:		APVD J. Woller	NAME 2pos. MCON 1.2 - LL Connector, Sealed	
Ø	0-PLC ±0.15	PRODUCT SPEC	SIZE	
Ø	1-PLC ±0.13	108-18969	CAGE CODE	
Ø	2-PLC ±0.13	APPLICATION SPEC	DRAWING NO	
Ø	3-PLC ±0.13	114-18861	RESTRICTED TO	
Ø	4-PLC ±0.13	114-18861	SCALE	
Ø	ANGLES ±0.001	WEIGHT 2.4 g	SHEET 1 OF 2	
MATERIAL TBD	FINISH	CUSTOMER DRAWING	REV E5	

REVISIONS				
P.	LTN	DESCRIPTION	DATE	APVD
		SEE SHEET 1		

E4 Divergent marking is allowed for parts from different tools



- △ 5 TE PART NO.:
- △ 16 - CIRCULAR DATE INSERT ONLY FOR VERSION 1
- DATE FORMAT FOR VERSION 2 (YY/MM)
- △ 17 REVISION, CORRESPONDING TO ACTUAL REVISION
- △ 18 MATERIAL IDENTIFICATION
- △ 19 MOULD CAVITY IDENTIFICATION
- △ 20 DATE INSERT FOR RECEPTACLE HOUSING

TE-ORDER-NO.	COD	DESCRIPTION	REV	QTY	DESCRIPTION	MATERIAL	SURFACE/COLOUR	ITEM
3-1670916-1	C	2pos. MCON 1.2 - LL Connector Sealed	A	1	2pos. MCON 1.2 - Seal	MVQ	NATURE	4
				1	2pos. MCON 1.2 - Retainer	PA66-GF15	VIOLETT	3
				1	2pos. MCON 1.2 - Protec. Cover	PA6-GF15	BLACK	2
				1	2pos. MCON 1.2 - Receptacle Hsg.	PA66-GF30	BLUE	1
2-1670916-1	B	2pos. MCON 1.2 - LL Connector Sealed	E	1	2pos. MCON 1.2 - Seal	MVQ	NATURE	4
				1	2pos. MCON 1.2 - Retainer	PA66-GF15	VIOLETT	3
				1	2pos. MCON 1.2 - Protec. Cover	PA6-GF15	BLACK	2
				1	2pos. MCON 1.2 - Receptacle Hsg.	PA66-GF30	NATURE	1
1-1670916-1	A	2pos. MCON 1.2 - LL Connector Sealed	E	1	2pos. MCON 1.2 - Seal	MVQ	NATURE	4
				1	2pos. MCON 1.2 - Retainer	PA66-GF15	VIOLETT	3
				1	2pos. MCON 1.2 - Protec. Cover	PA6-GF15	BLACK	2
				1	2pos. MCON 1.2 - Receptacle Hsg.	PA66-GF30	BLACK	1

THIS DRAWING IS A CONTROLLED DOCUMENT.		DWN	16AUG2018	TE TE Connectivity	
DIMENSIONS: mm		CHK	-		
TOLERANCES UNLESS OTHERWISE SPECIFIED:		APVD	-	NAME	
0 PLC ±		PRODUCT SPEC		CONNECTOR, 2 POS., MCON-1.2, SEALED	
1 PLC ±0.5		APPLICATION SPEC		Gehäuse, 2 pol., MCON-1.2, dicht	
2 PLC ±0.13		MATERIAL		SIZE	
3 PLC ±0.013		FINISH		CAGE CODE	
4 PLC ±0.0001		WEIGHT		DRAWING NO	
ANGLES ±		CUSTOMER DRAWING		RESTRICTED TO	
MATERIAL TBD		SCALE 5:1		A1 00779 C=1670916	
FINISH -		SHEET 2 OF 2		REV E5	

X-ON Electronics

Largest Supplier of Electrical and Electronic Components

Click to view similar products for [Automotive Connectors](#) category:

Click to view products by [TE Connectivity](#) manufacturer:

Other Similar products are found below :

[003-018-000](#) [60403001](#) [60993906-B](#) [M902-2131](#) [M902-2161](#) [M902-2344](#) [72.330.1035.1](#) [73.353.4028.0](#) [F119300-B](#) [F166900](#) [F258300-B](#)
[F358300-B](#) [F407400](#) [F444110](#) [F487000](#) [F509500B-B](#) [827153-1](#) [8N1515-32-24P](#) [9-1326729-8](#) [925474-1](#) [928905-1](#) [964562-4](#) [968782-1](#)
[GT17SA-8DS-HU](#) [98891-1012](#) [98947-1016](#) [12004147](#) [12004475-L](#) [12010290](#) [12015454](#) [12020219-B](#) [12041318-B](#) [12052225-L](#) [12052466](#)
[12064869](#) [12004327-B](#) [12015308](#) [12015384](#) [12015909](#) [1-21030-1](#) [12041254](#) [12041318](#) [12047946-B](#) [12047957](#) [12047957-L](#) [12059473](#)
[12066261](#) [12110546](#) [12110546-B](#) [12131792](#)