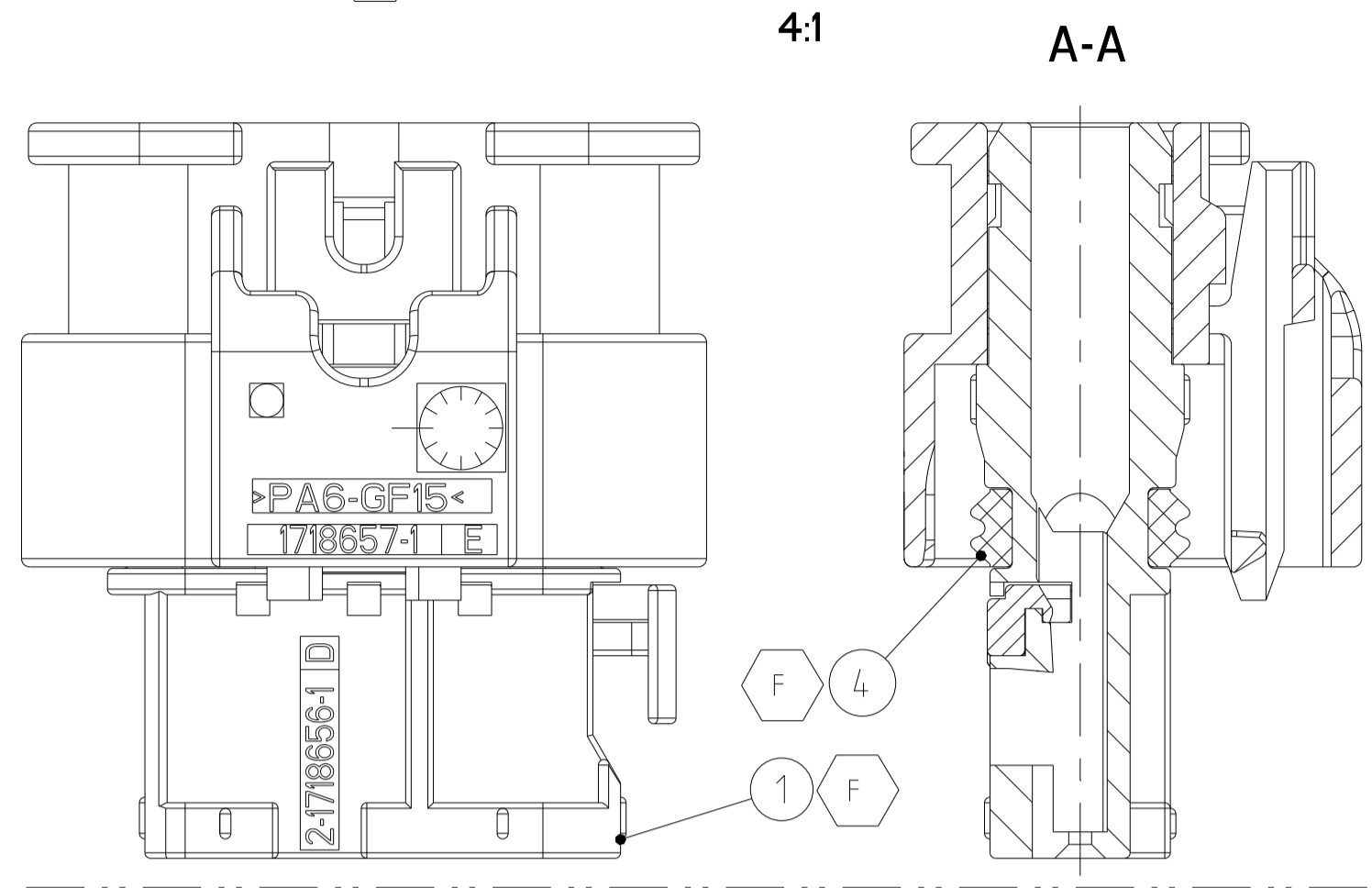
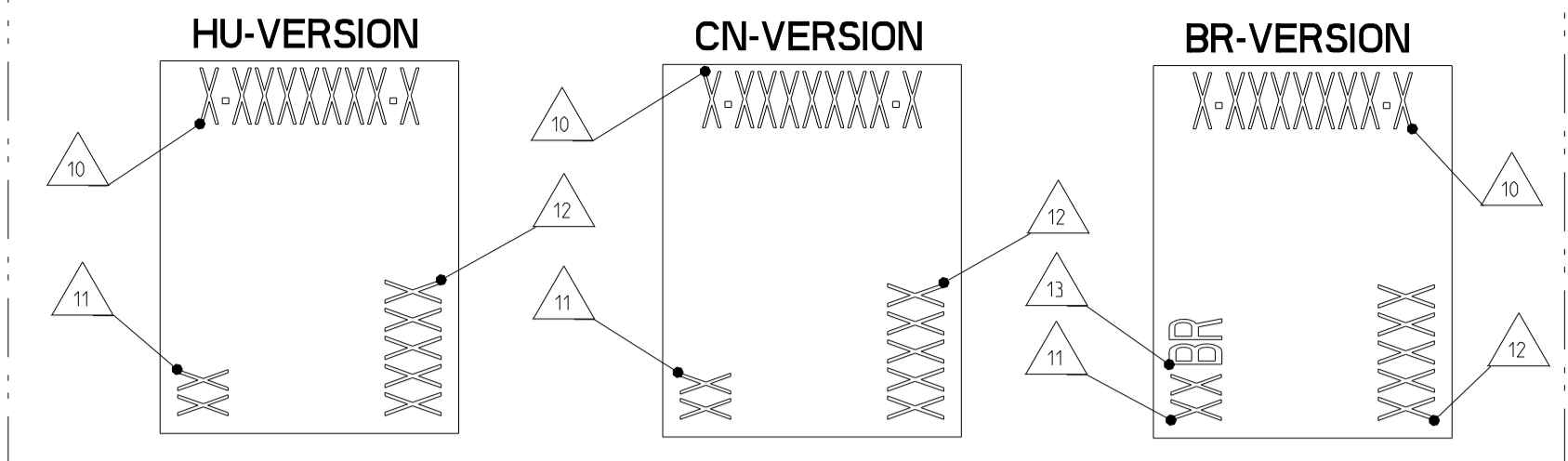


VERSION WITH NEW REVISION REC. HOUSING AND SEAL

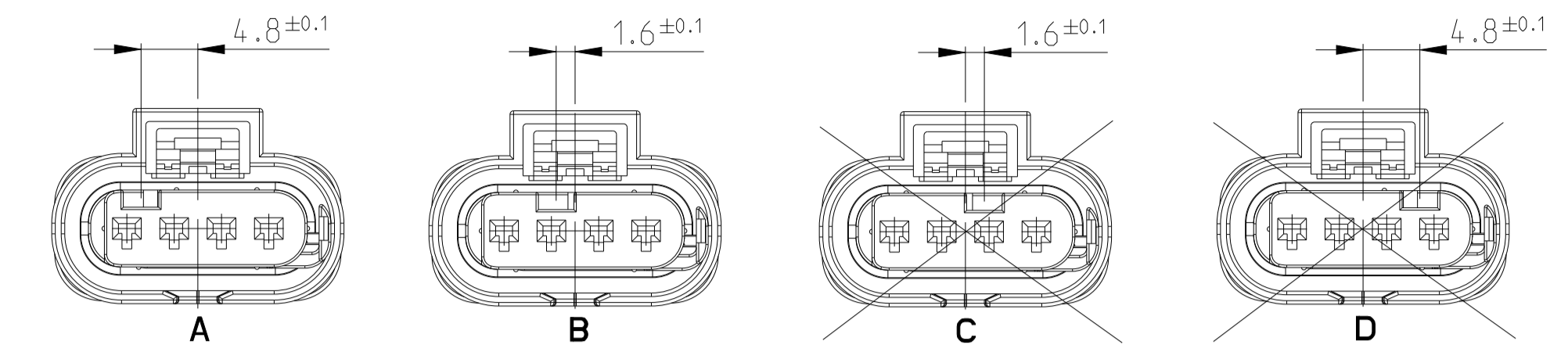
2-1670918-1 F



PRINT: 2 F
5:1



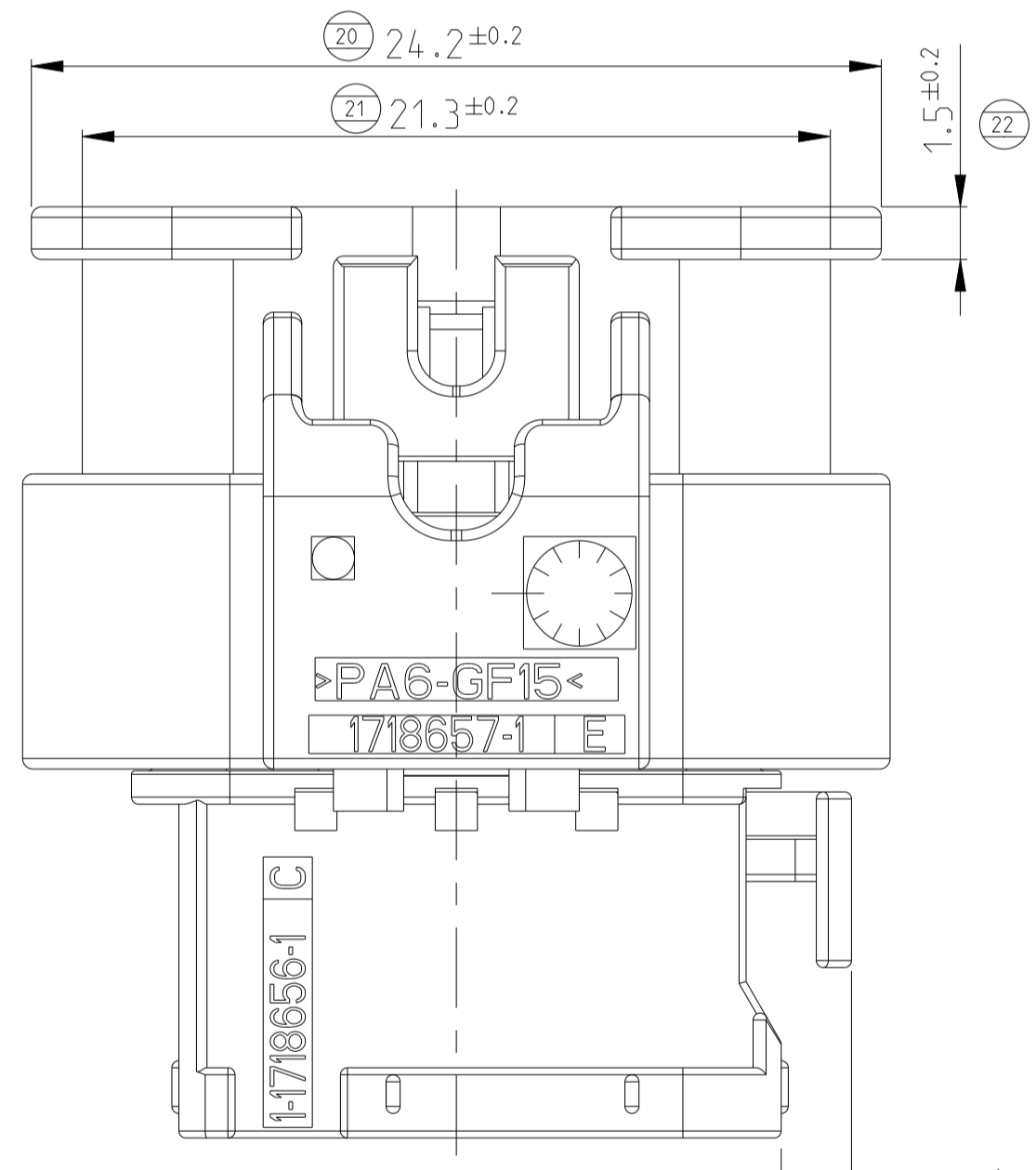
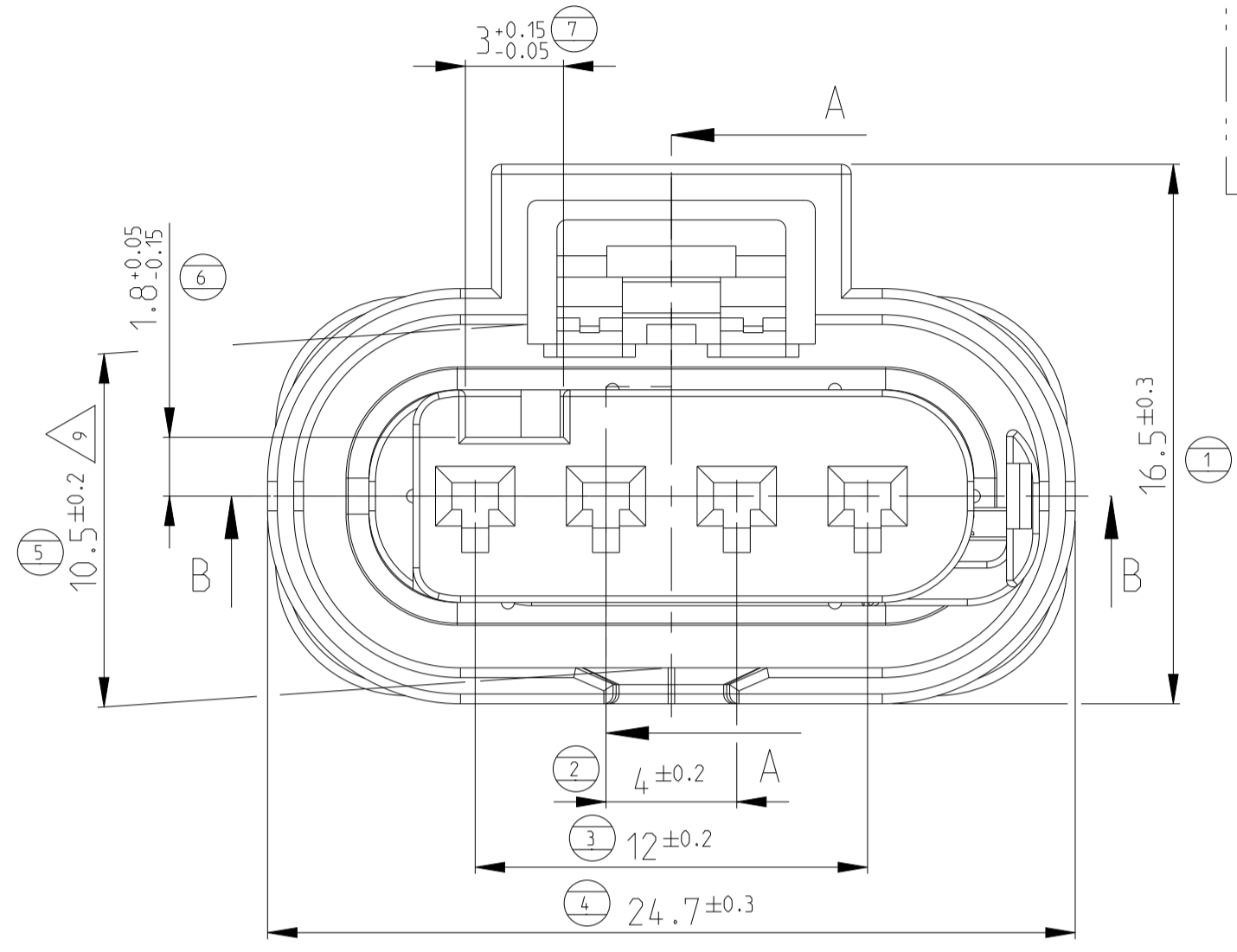
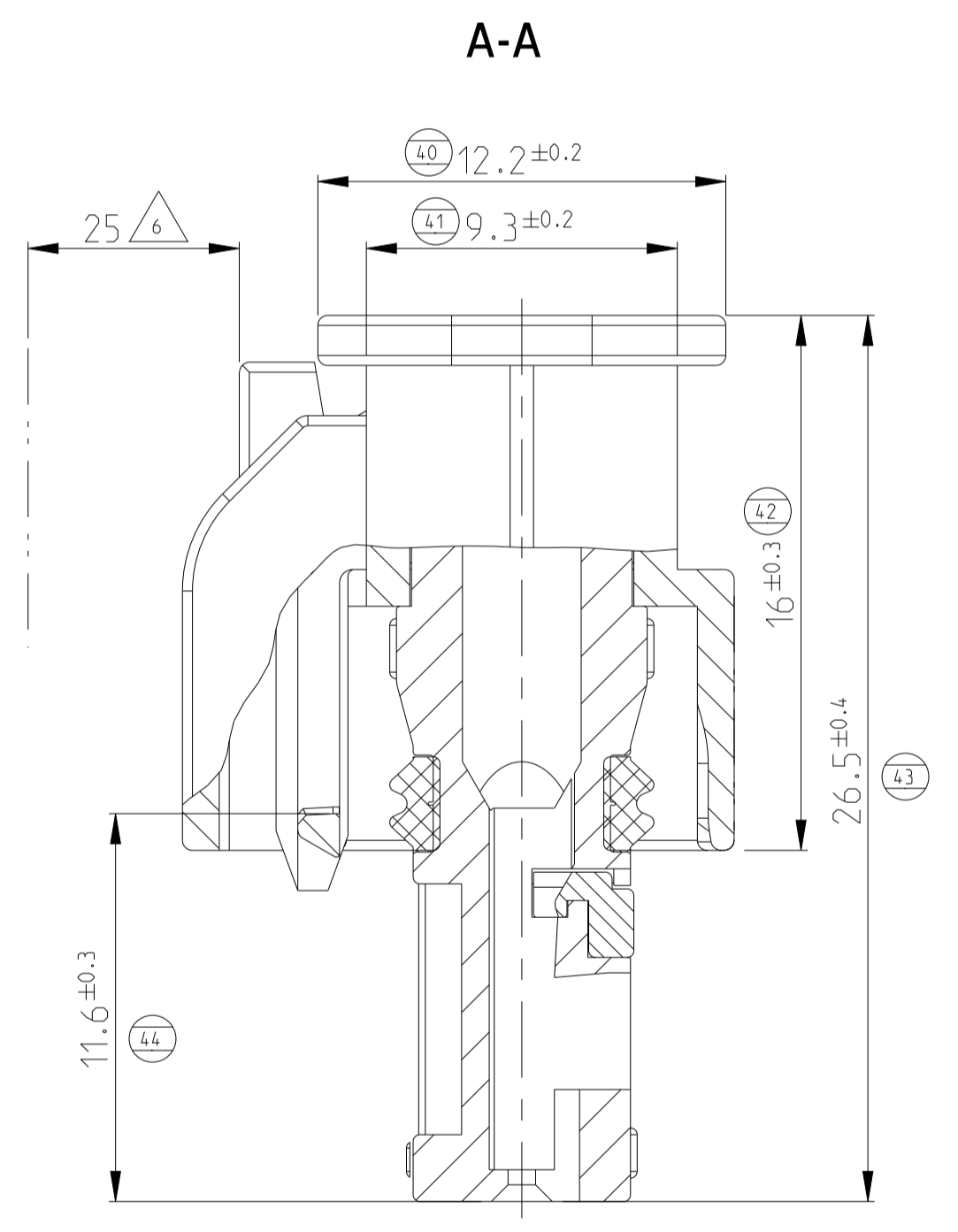
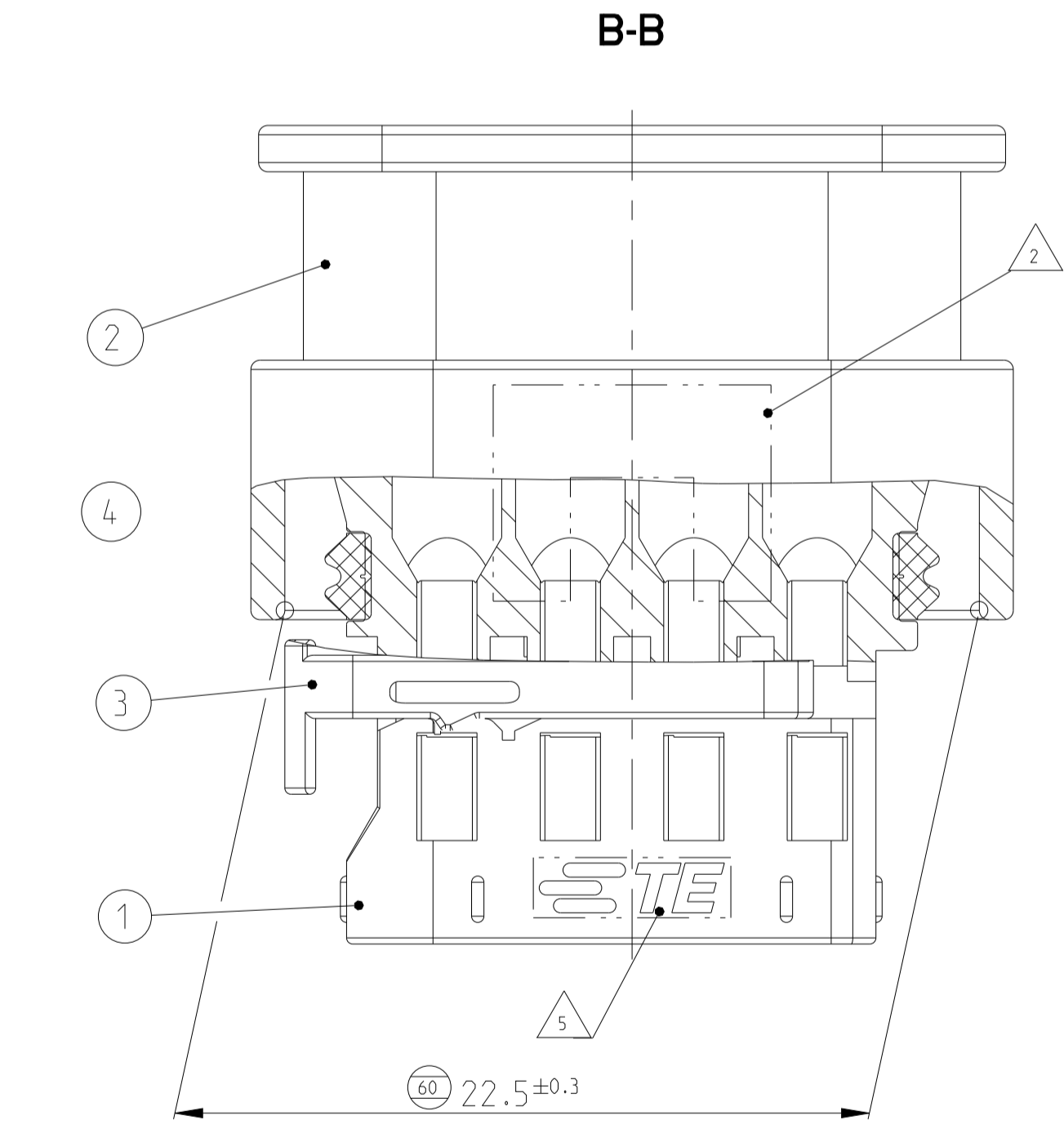
CODINGS
M 2:1



REVISIONS				
P	LTN	DESCRIPTION	DATE	APVD
D1		Drw. updated. Pos.1 Inner hsg. updated	13APR2010	CLA ASC
E		ECR-12-006206	03APR2012	SZN GB
E1		ECR-12-011368	22JUN2012	SZN GB
F		INNER HSG AND SEAL DESIGN IMPROVED	08JUL2021	SZN LSZ

NOTES:

- 1 MAX. WIRE SIZE RANGE 1.0 mm² FLR PERMITTED FOR CAVITY-Ø 3.55MM
QUANTITY SEE WIRE HARNESS DRAWING
FOR PERMISSIBLE CURRENT CARRYING CAPACITY OF THE SINGLE CONTACT SEE PRODUCT SPECIFICATION NO. 108-18782
 - 2 AREA FOR PRINT
 - 3 USABLE CONTACTS MCON 1.2 LL
SEE TE-NO. 1452674, SINGLE WIRE SEAL-VERSION
 - 4 ACCORDING TO INTERFACE DRAWING 114-18679-3
 - 5 SUPPLIER-MARK
 - 6 SPACE OF ACTIVITY
 - 7 SUPPLY CONDITION: CPA IN PRELOCKED POSITION
 - 8 SUPPLY CONDITION: RETAINER IN PRELOCKED POSITION
 - 9 WARPAGE PERMITTED TO MAX. -0.5mm
 - 10 TE ORDER-NO.
 - 11 ASSEMBLY LINE SEGMENT IDENTIFICATION
 - 12 DATE CODE (DDYY)
 - 13 DIVERGENT MARKING FOR PARTS FROM CHINESE AND U.S. PRODUCTION
- 1-...-1 AS SHOWN

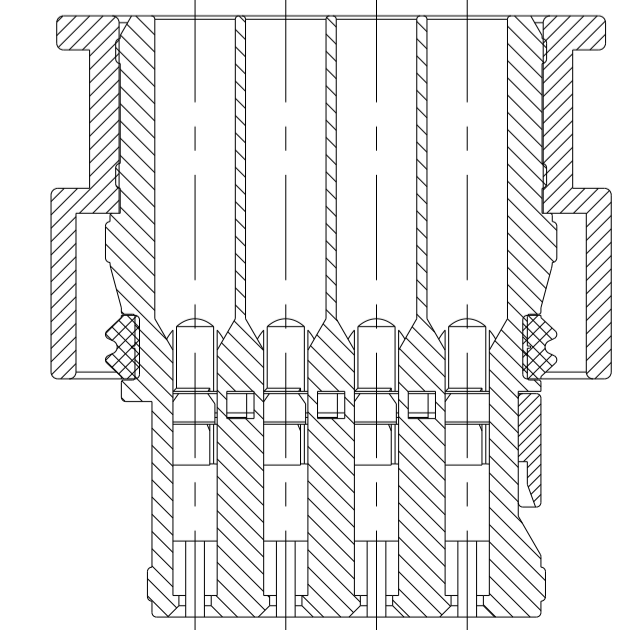


22 $2.02_{-0.04}^{+0.02}$
MOVING AREA OF THE RETAINER

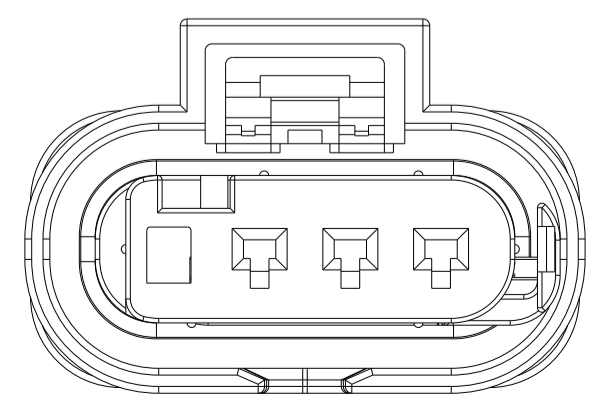
TE-ORDER-NO.	COD	DEFINITION	REV	QTY	DEFINITION	MATERIAL	SURFACE/COLOUR	ITEM
1-1670918-5	A	4pos. MCON 1.2 - LL Connector, Sealed	E	1	4pos. MCON 1.2 - Seal	MVQ	NATURE	4
				1	4pos. MCON 1.2 - Retainer	PA66-GF15	VIOLET	3
				1	4pos. MCON 1.2 - Protec. Cover	PA6-GF15	BLACK	2
				1	4pos. MCON 1.2 - Rec. Housing	PA66-GF30	BLACK	1
F 2-1670918-1	B	4pos. MCON 1.2 - LL Connector, Sealed	F	1	4pos. MCON 1.2 - Seal	MVQ	NATURE	4
				1	4pos. MCON 1.2 - Retainer	PA66-GF15	VIOLET	3
				1	4pos. MCON 1.2 - Protec. Cover	PA6-GF15	BLACK	2
				1	4pos. MCON 1.2 - Rec. Housing	PA66-GF30	NATURE	1
1-1670918-1	A	4pos. MCON 1.2 - LL Connector, Sealed	E	1	4pos. MCON 1.2 - Seal	MVQ	NATURE	4
				1	4pos. MCON 1.2 - Retainer	PA66-GF15	VIOLET	3
				1	4pos. MCON 1.2 - Protec. Cover	PA6-GF15	BLACK	2
				1	4pos. MCON 1.2 - Rec. Housing	PA66-GF30	BLACK	1

RETAINER IN END POSITION

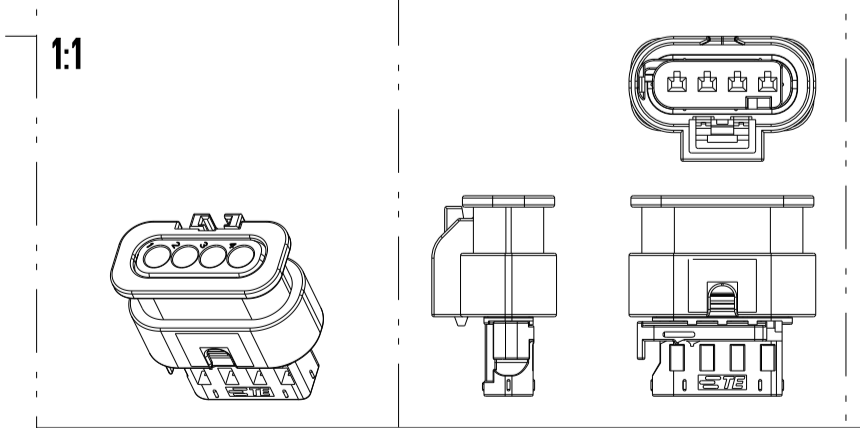
B-B
3:1



1-1670918-5
CAV. 4 CLOSED
3:1



3D VIEW



DIMENSIONS: mm		TOLERANCES UNLESS OTHERWISE SPECIFIED:	
0 PLC	±0.1	108-18969	±0.1
1 PLC	±0.1	114-18861	±0.1
2 PLC	±0.1		
3 PLC	±0.1		
4 PLC	±0.1		
ANGLES	±0.5°		
MATERIAL		WEIGHT	5 g
		RESTRICTED CUSTOMER	

STE TE Connectivity

NAME: 4pos. MCON 1.2 - LL Connector, Sealed

SIZE: 108-18969

CAGE CODE: 114-18861

DRAWING NO: 00779

SCALE: 5:1

SHEET: 1 OF 1

REV: F

X-ON Electronics

Largest Supplier of Electrical and Electronic Components

Click to view similar products for [Automotive Connectors](#) category:

Click to view products by [TE Connectivity](#) manufacturer:

Other Similar products are found below :

[003-018-000](#) [60403001](#) [60993906-B](#) [M902-2131](#) [M902-2161](#) [72.330.1035.1](#) [73.353.4028.0](#) [F119300-B](#) [F166900](#) [F258300-B](#) [F358300-B](#)
[F407400](#) [F444110](#) [F487000](#) [F509500B-B](#) [827153-1](#) [8N1515-32-24P](#) [9-1326729-8](#) [925474-1](#) [928905-1](#) [964562-4](#) [968782-1](#) [GT17SA-8DS-](#)
[HU](#) [98891-1012](#) [98947-1016](#) [12004147](#) [12004475-L](#) [12010290](#) [12010309-B](#) [12015454](#) [12020219-B](#) [12020308](#) [12041318-B](#) [12052225-L](#)
[12052466](#) [12059125](#) [12064869](#) [12004327-B](#) [12010503-B](#) [12015308](#) [12015384](#) [12015909](#) [1-21030-1](#) [12041254](#) [12041318](#) [12047946-B](#)
[12047957](#) [12047957-L](#) [12059473](#) [12066261](#)