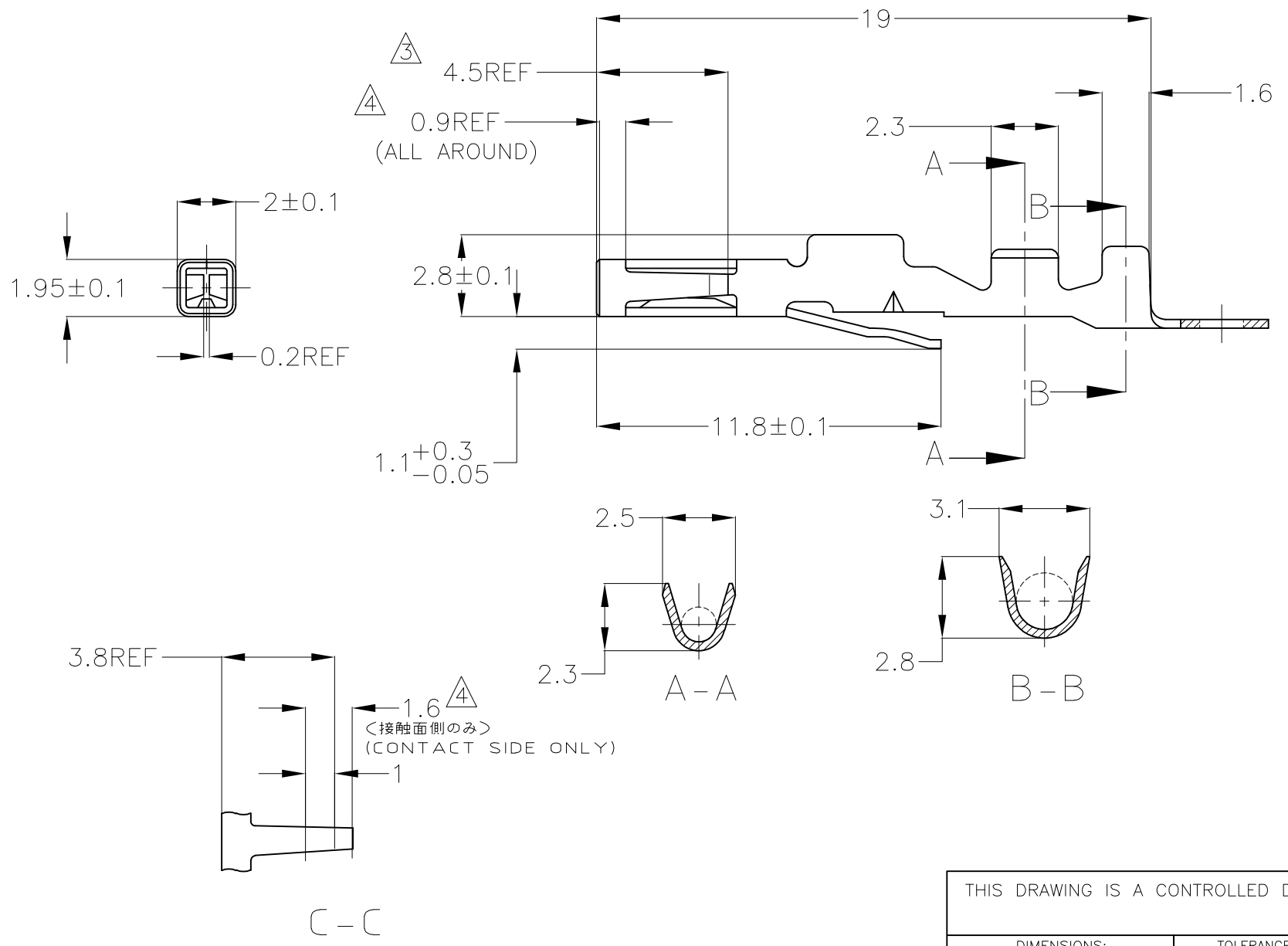
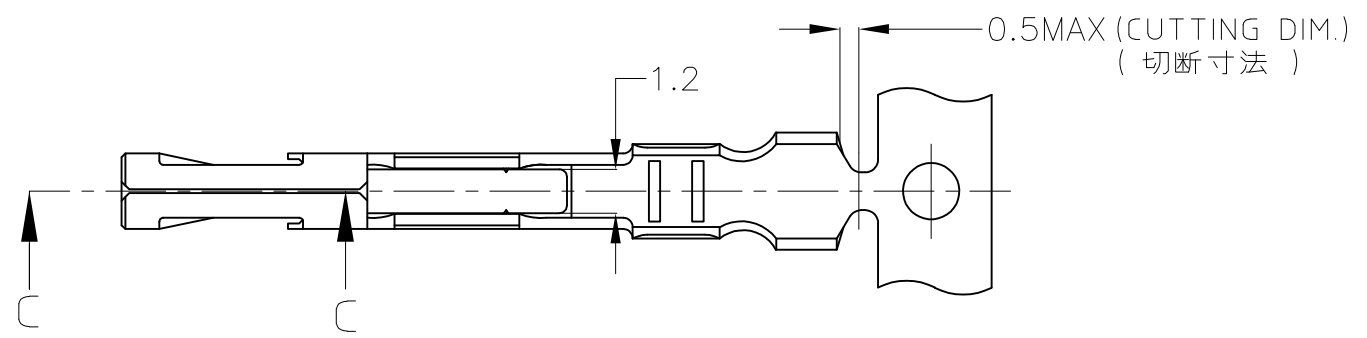


THIS DRAWING IS UNPUBLISHED. RELEASED FOR PUBLICATION
 © COPYRIGHT 2003 By - ALL RIGHTS RESERVED.

LOC	DIST	REVISIONS					
J	-	P	LTR	DESCRIPTION	DATE	DWN	APVD
			H2	REVISED PER ECO-11-005140	28MAR11	RK	HMR



- 注:
- 1 使用ハウジング型番 172021,172047 他
 - 2 製品規格: 108-5124
 - 3 全面ニッケルめっきの上に4.5mmの部分に0.38μm以上の金めっき
 - 4 全面ニッケルめっきの上に接触バネ内側 1.6mmの部分に0.38μm以上の金めっき コンタクト先端 0.9mmのところを金フラッシュめっき
 - 5 1-170291-1の逆巻きリール
- NOTES:
- 1 MATALE HOUSING: 172021,172047 AND OTHERS
 - 2 PRODUCT SPECIFICATION: 108-5124
 - 3 0.38μm MIN. SELECTIVE GOLD PLATING IN 4.5mm LENGTH OVER NICKEL PLATING
 - 4 0.38μm MIN. SELECTIVE GOLD IN 1.6mm LENGTH (INSIDE OF LEAF) OVER NICKEL PLATING, GOLD FLASH PLATING IN TIP OF CONTACT 0.9mm LENGTH
 - 5 REVERSE REEL OF 1-170291-1

型番 (NUMBER)	材料 (MATERIAL)	仕上 (FINISH)	バラ端子型番 (L/P PART NUMBER)
1-170291-1	黄銅, BRASS, 0.3t	錫めっき済 PRE-TINND MAT'L	1-170321-1
OBSOLETE	1-170291-3	黄銅, BRASS, 0.3t	---
1-170291-4	リン青銅, 0.3t PHOS-BZ	錫めっき済 PRE-TINND MAT'L	1-170321-4
1-170291-7	リン青銅, 0.3t PHOS-BZ	---	---
3-170291-1	黄銅, BRASS, 0.3t	錫めっき済 PRE-TINND MAT'L	---

THIS DRAWING IS A CONTROLLED DOCUMENT.

DWN	A.YAMAGUCHI	09JUL03	 TE Connectivity	NAME 名称 DUAL LINE INTERLOCK CONNECTOR		
CHK	K.BETSUI	09JUL03				
APVD	K.BETSUI	09JUL03				
PRODUCT SPEC	製品規格	108-5124				
APPLICATION SPEC	取付適用規格	114-5045	SIZE	CAGE CODE	DRAWING NO	RESTRICTED TO
WEIGHT	-	A3	00779	G=	170291	-
CUSTOMER DRAWING			SCALE	SHEET	REV	
			尺度	5:1	1 OF 1	H2

WIRE RANGE
0.3~0.56mm² (AWG#22-#20)

INSULATION DIA.
2.4mm MAX.

DIMENSIONS: 単位: 耗 mm	TOLERANCES UNLESS OTHERWISE SPECIFIED: 一般公差 ±0.3
	0-PLC ± ±1°
	1-PLC ± ±
	2-PLC ± ±
	3-PLC ± ±
	4-PLC ± ±
	ANGLES ± ±
MATERIAL 材料	FINISH 仕上
SEE TABLE	SEE TABLE

X-ON Electronics

Largest Supplier of Electrical and Electronic Components

Click to view similar products for [Heavy Duty Power Connectors](#) category:

Click to view products by [TE Connectivity](#) manufacturer:

Other Similar products are found below :

[647757-1](#) [6643411-1](#) [6646058-2](#) [6646137-1](#) [6646138-1](#) [6646479-1](#) [6646608-1](#) [6646786-1](#) [6646940-1](#) [6651091-1](#) [6651525-1](#) [6651529-1](#)
[6651788-1](#) [696475-1](#) [702-32-01109](#) [703-25-02205](#) [73000005059](#) [73000005642](#) [73080255059](#) [73080965046](#) [765-15-0080A](#) [765-16-0080B](#)
[765-18-0080D](#) [829992-1](#) [902-77-02113](#) [PS00/A0620/6300](#) [PS25/A0420/63](#) [129-1J](#) [1409400](#) [AN0024023](#) [E6374G1](#) [e6389g2](#) [157-43GW8](#)
[MS3117-14AC](#) [1643543-1](#) [1650540-1](#) [1651811-2](#) [1766260-1](#) [1766282-1](#) [1766966-1](#) [1791340000](#) [NLDFT-3-BL-L-S120-M40A](#) [NLDFT-N-](#)
[W-L-C240-M40B](#) [NLS-2-R-C240-M40B](#) [NLS-N-W-C240-M40B](#) [NPS-3-BL-T6](#) [1986615-1](#) [2-1589900-8](#) [2199314-1](#) [KA8102](#)