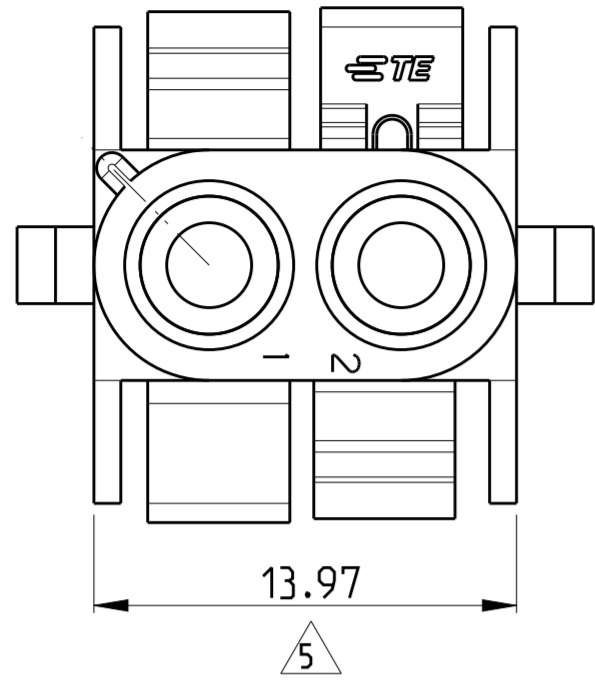


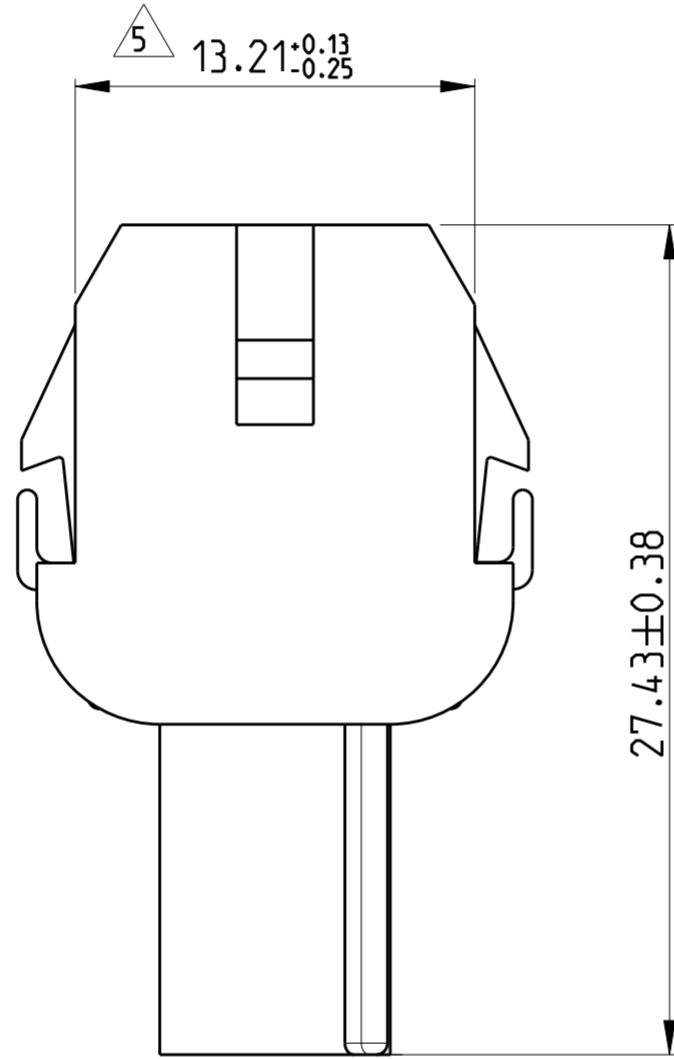
THIS DRAWING IS UNPUBLISHED. RELEASED FOR PUBLICATION 2003
 © COPYRIGHT 2003 BY - ALL RIGHTS RESERVED.

LOC	DIST	REVISIONS					
		P	LTR	DESCRIPTION	DATE	DWN	APVD
A1	2		B6	REVISED PER ECR-19-008967	30SEP2019	BDA	SF



8.13 ± 0.25

13.97



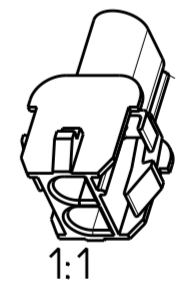
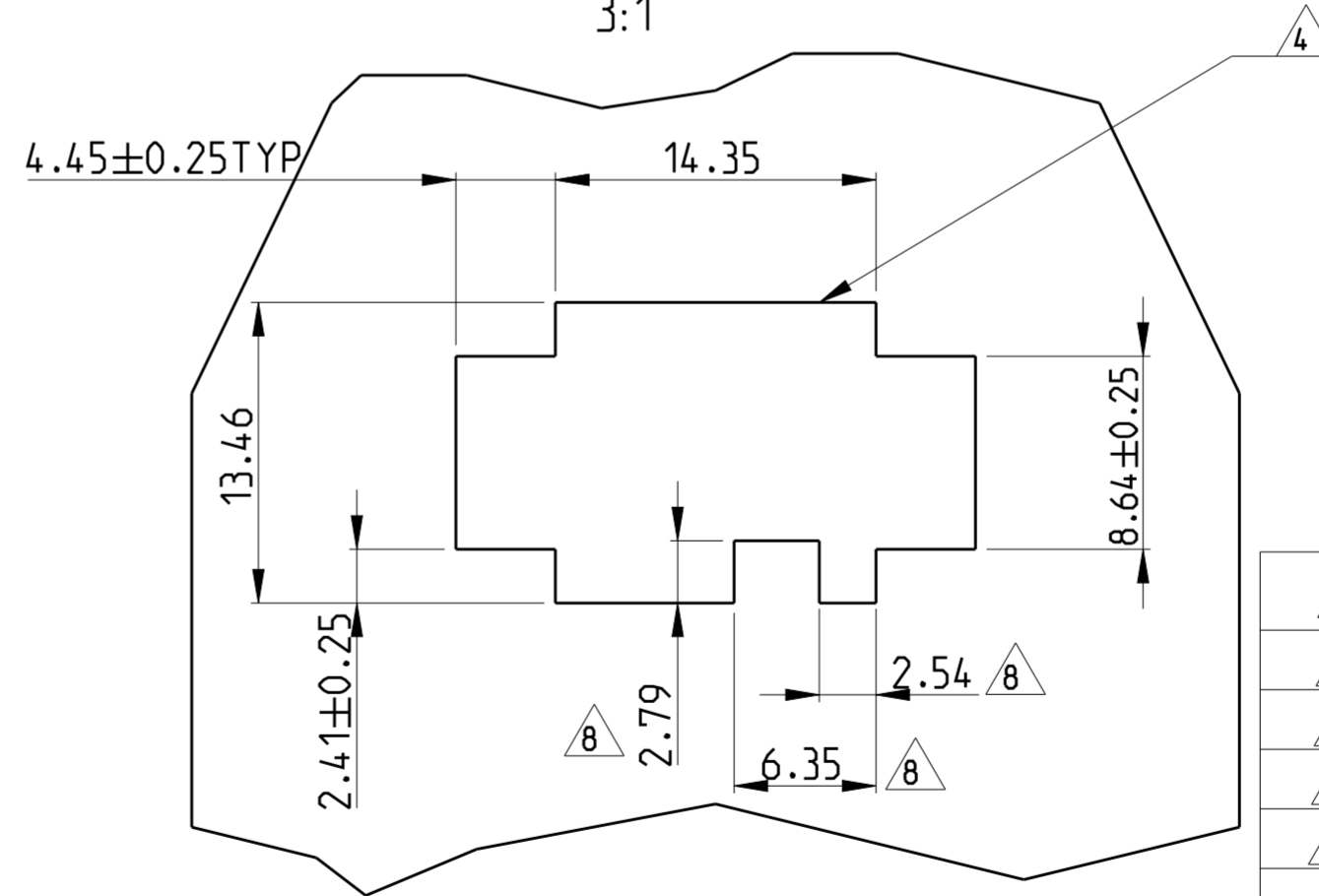
13.21 ± 0.13 ± 0.25

27.43 ± 0.38

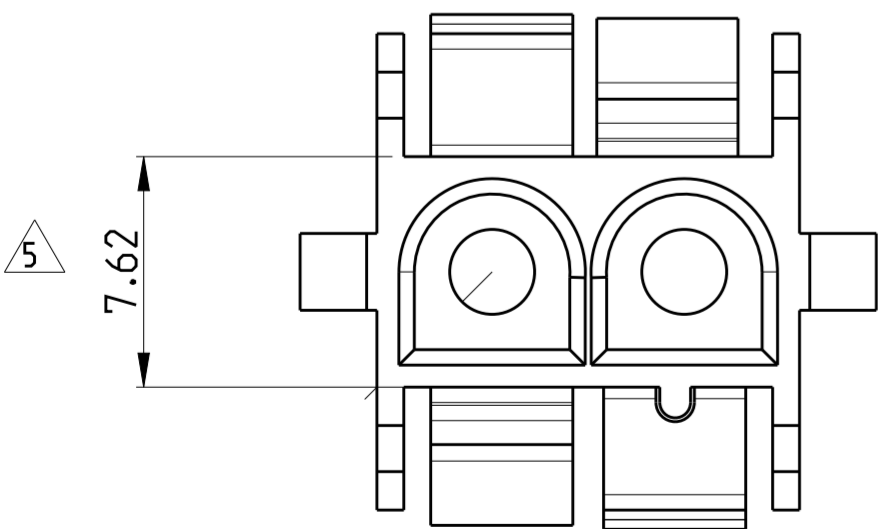
- 1 MATES WITH APPROPRIATE UNIVERSAL MATE-N-LOK PLUG
- 2 RECOMMENDED PANEL THICKNESS 0.76 - 2.29 mm
- 3 PANEL MUST BE PUNCHED SO THAT THE HOUSING ENTERS THE PANEL IN THE SAME DIRECTION AS THE PUNCH

- △ 4 CIRCUIT NUMBER 1 LOCATION
- △ 5 DIMENSION INDICATED AS MOLDED. ADDITIONAL GROWTH DUE TO SUBSEQUENT MOISTURE ABSORPTION MAY OCCUR
- △ 6 UNDERWRITERS RECOGNIZED COMPONENT LOGO AND CSA CERTIFICATION LOGO TO BE LOCATED ONCE EACH ON SIDE OF HOUSING
- △ 7 MATERIAL CORRESPONDING TO THE REQUIREMENTS OF IEC 60335 (INCL. GLOW WIRE TEST 750°C, WITHOUT FLAME)
- △ 8 OPTIONAL FOR KEYING HOUSING IN PANEL
- △ 9 PRELIMINARY PART NOT RELEASED FOR PRODUCTION

RECOMMENDED PANEL CUT OUT
3:1



REMARK	PN	REV	MATERIAL	COLOUR
△ 7	1-1703062-2	A	PA66 UL94 V0 (GWT 750 °C)	NATURAL
△ 9	1-1703062-1	1	PA6 UL94 V0	NATURAL
△ 7	1703062-4	A	PA6 UL94 V2 GWT 750 °C	BLACK
△ 7	1703062-3	A	PA6 UL94 V2 GWT 750 °C	RED
△ 7	1703062-2	A	PA6 UL94 V2 GWT 750 °C	BLUE
△ 7	1703062-1	A	PA6 UL94 V2 GWT 750 °C	NATURAL



7.62

THIS DRAWING IS A CONTROLLED DOCUMENT.		DWN MAHNKE, B. 16APR2004	TE Connectivity	
		CHK ZITZ, A. 26APR2004		
		APVD BLEICHER, M. 27APR2004	NAME CAP 2 CIRCUIT UNIVERSAL MATE-N-LOK	
DIMENSIONS: mm		TOLERANCES UNLESS OTHERWISE SPECIFIED:	SIZE CAGE CODE DRAWING NO RESTRICTED TO	
		0 PLC ±	A2 00779 C-1703062	
		1 PLC ±	SCALE 4:1 SHEET 1 OF 1 REV B6	
		2 PLC ±0.13		
		3 PLC ±		
		4 PLC ±		
		ANGLES ±°		
MATERIAL △ 7 PA 6		FINISH		
		WEIGHT 2.55 g		
		CUSTOMER DRAWING		

X-ON Electronics

Largest Supplier of Electrical and Electronic Components

Click to view similar products for [Pin & Socket Connectors](#) category:

Click to view products by [TE Connectivity](#) manufacturer:

Other Similar products are found below :

[6450822-1](#) [770392-1](#) [794042-1](#) [796885-1](#) [8-794535-1](#) [PLR3455ACS-222](#) [R929991004](#) [R929993003](#) [1403611-1](#) [1-480349-5](#) [152302-5](#)
[153211-2](#) [1586092-1](#) [1586129-1](#) [1586681-4](#) [1586700-1](#) [1586368-1](#) [1586380-1](#) [1586616-1](#) [1586680-5](#) [16-06-0038](#) [164164-5](#) [1-6609930-1](#)
[172296-1](#) [19-09-2035](#) [200503-1](#) [200788-2](#) [2029090-4](#) [2029095-4](#) [925061-7](#) [293734-4](#) [293737-2](#) [1-765362-4](#) [1871534-1](#) [200833-4](#)
[2008625-2](#) [2029027-2](#) [2029096-4](#) [R929991000](#) [R929991002](#) [R929993000](#) [319-10-101-00-005000](#) [319-10-102-00-001000](#) [319-10-104-00-001000](#) [319-10-105-00-001000](#) [319-10-108-00-001000](#) [319-10-112-00-006000](#) [39-01-8019](#) [319-10-101-00-001000](#) [319-10-102-00-005000](#)