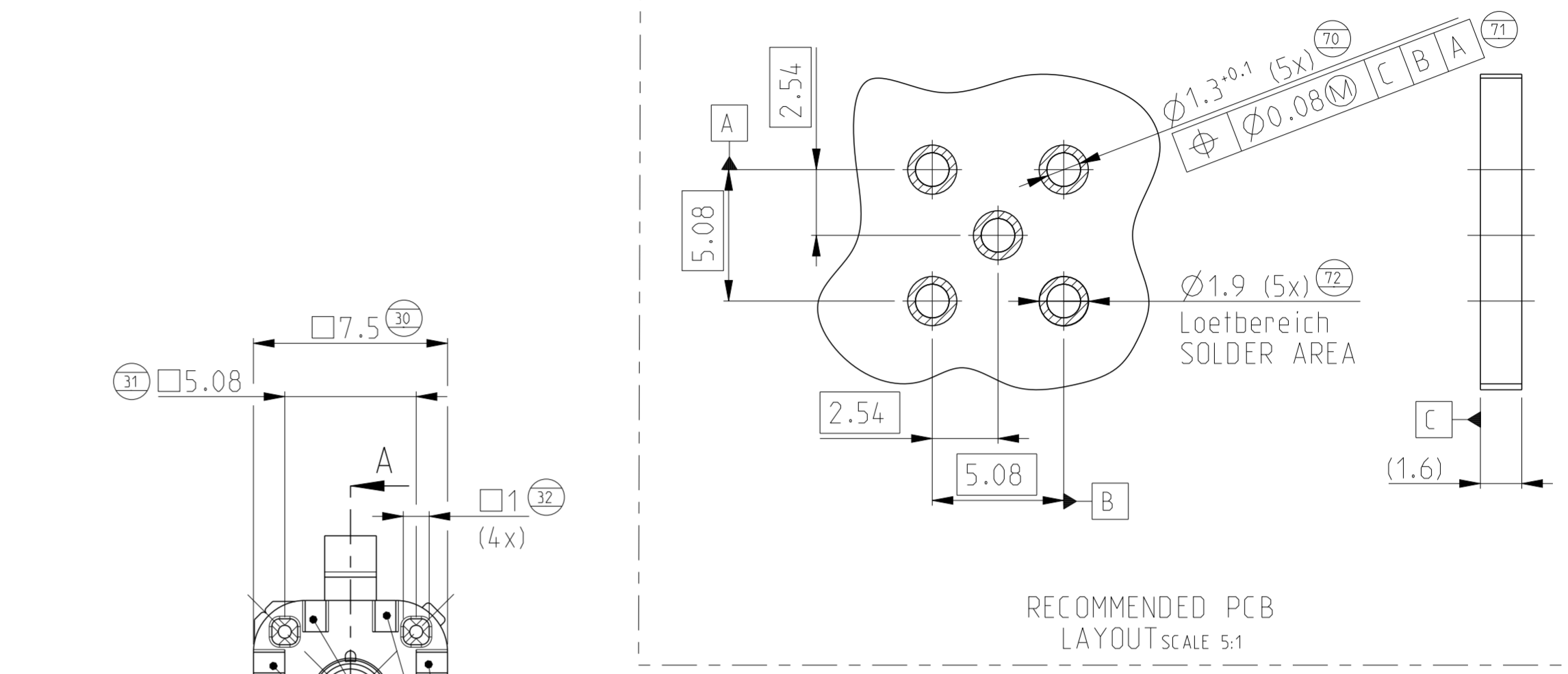
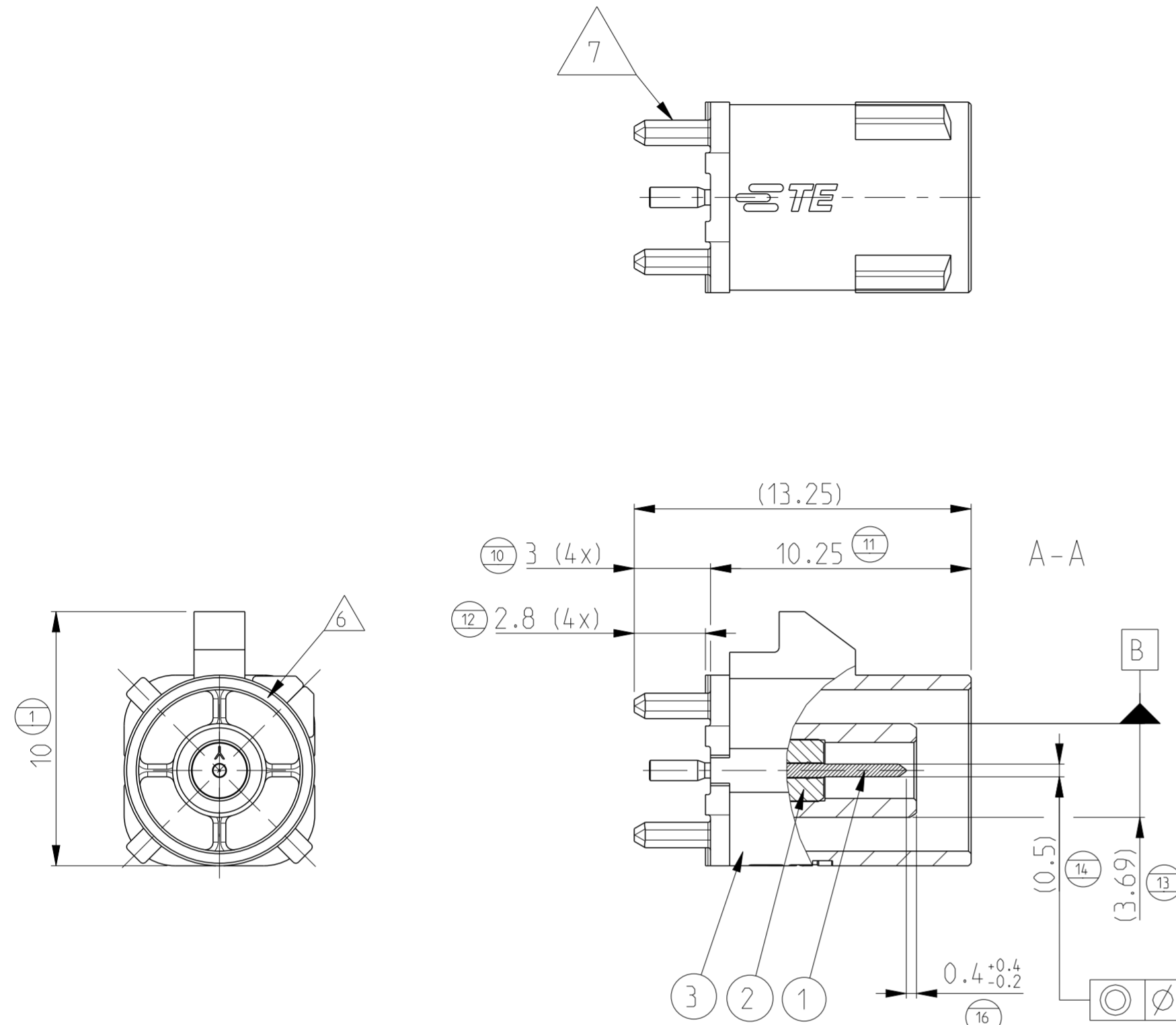
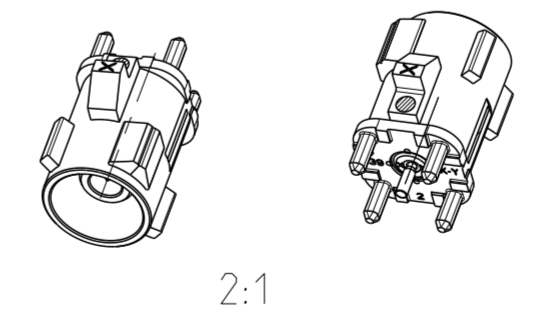
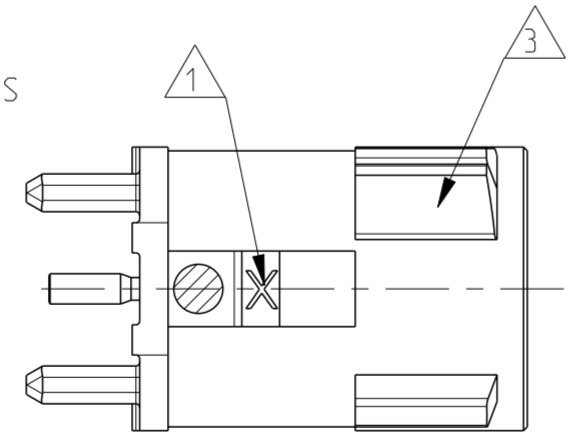


PROJECT No.		REVISIONS				
P	LTR	DESCRIPTION	DATE	DWN	APVD	
		EGATN06051-006				
C4		ECR-15-010522	15JUL2015	JJH	NR	
C5		ECR-16-004072	17MAR2016	JJH	NR	
C6		ECR-16-012000	22AUG2016	SCK	NR	
C7		ECR-17-007636	08JUN2017	JJH	NR	



- 50 1 PART REVISION MARKING (NOT OF ASSEMBLY REVISION)
- 51 2 -
- 52 3 CODING RIBS FOR CONFIGURATION OF THE MECHANICAL CODINGS ACC. TO DIN72594-1. THE CONFIGURATION OF THE CODINGS IS SHOWN ON SHEET 2.
- 53 4. PACKAGING: BLISTER SMD ESD, SHOWN ON SHEET 3
- 54 5 COINING DOTS FOR FIXING POSITION OF THE DIELECTRIC
- 55 6 COLOR MARKING ACC. TABLE
- 56 7 PLATING THICKNESS - SEE TABLE
- 57 8. -
- 58 9. FOR PACKAGING INSTRUCTIONS SEE V1703339.
- 59 10 CAVITY MARKING. C7



DESCRIPTION	QTY.	FINISHED SURFACE	MATERIAL	ITEM NO.
OUTER SHELL	1	SURFACE - min 0.3µm Sn over min 0.5µm Ni both over min 2.0µm Cu.	Zn-ALLOY	3
DIELECTRIC	1	-	PA	2
CENTER CONTACT	1	Au-COATED min 0.6µm	CuZn	1

DIMENSIONS:		TOLERANCES UNLESS OTHERWISE SPECIFIED:	
mm		0 PLC	±0.2
		1 PLC	±0.2
		2 PLC	±0.2
		3 PLC	±0.2
		4 PLC	±0.2
		ANGLES	±°
		FINISH	-

THIS DRAWING IS A CONTROLLED DOCUMENT.		DWN	04OCT2006	TE Connectivity	
		CHK	20APR2007		
		APVD	20APR2007		
		PRODUCT SPEC	108-18079	NAME	
		APPLICATION SPEC	114-18862	FAKRA PCB 1POS. JACK, STRAIGHT Assembly	
		WEIGHT	-2.6 g	SIZE	A2
		Customer Drawing		CAGE CODE	00779
				DRAWING NO	C-1703339
				RESTRICTED TO	-
				SCALE	5:1
				SHEET	1 OF 3
				REV	C7

1-1703339-1	Z	RAL5021
1-1703339-0	K	RAL1027
<del>1703339-9</del>	<del>I</del>	<del>RAL1001</del>
<del>1703339-8</del>	<del>H</del>	<del>RAL4003</del>
<del>1703339-7</del>	<del>G</del>	<del>RAL7031</del>
<del>1703339-6</del>	<del>F</del>	<del>RAL8011</del>
<del>1703339-5</del>	<del>E</del>	<del>RAL6002</del>
<del>1703339-4</del>	<del>D</del>	<del>RAL4004</del>
<del>1703339-3</del>	<del>C</del>	<del>RAL5005</del>
<del>1703339-2</del>	<del>B</del>	<del>RAL9001</del>
<del>1703339-1</del>	<del>A</del>	<del>RAL9005</del>
ASSEMBLY PART NUMBER	CODING	SIMILAR COLOR RAL

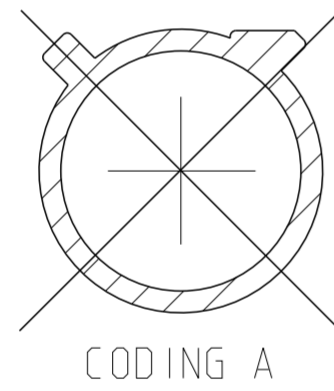
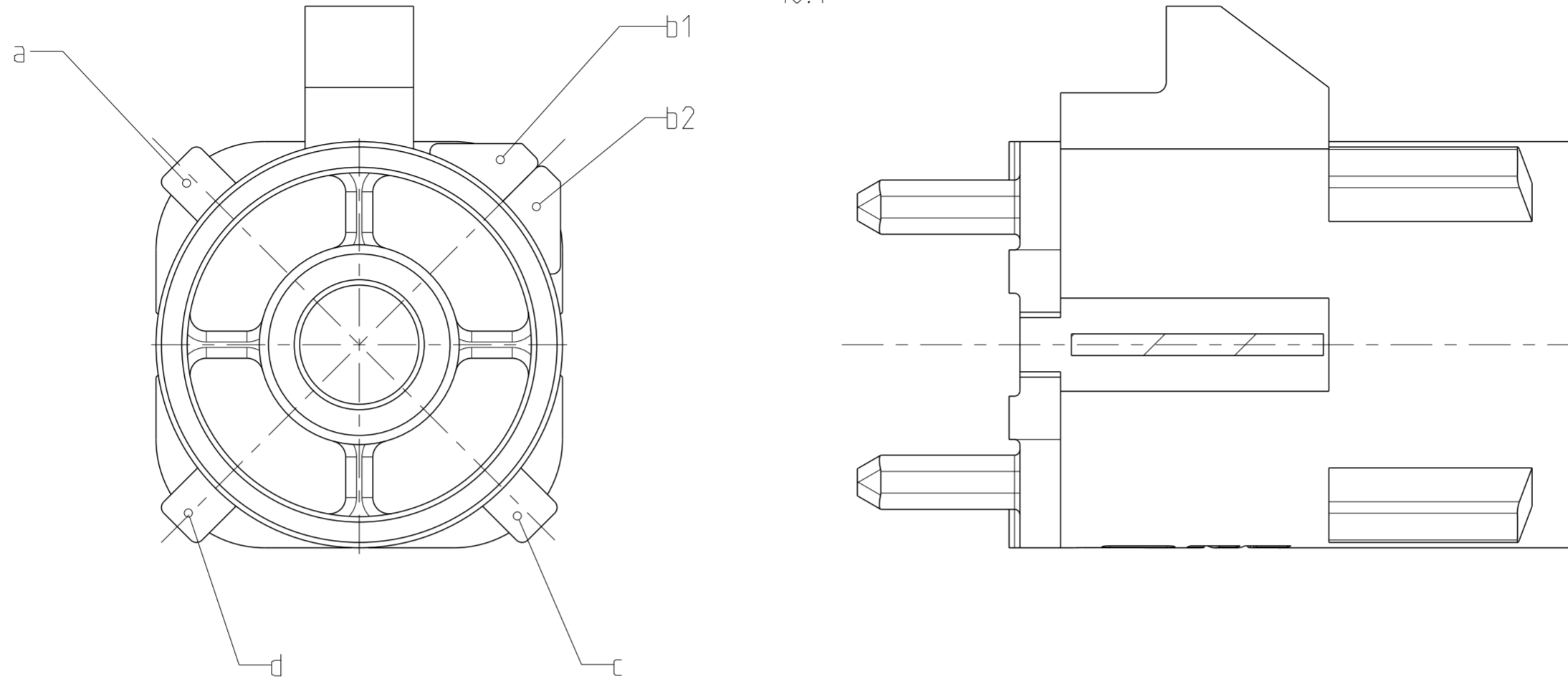
THIS DRAWING IS UNPUBLISHED. RELEASED FOR PUBLICATION 2011  
 © COPYRIGHT 2011 Tyco Electronics AMP GmbH ALL RIGHTS RESERVED.

PROJECT No.  
EGATN06051-006

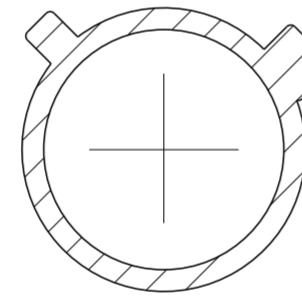
P		LTR	DESCRIPTION	DATE	DWN	APVD
-	-	-	SEE SHEET 1	-	-	-

ALL CODING RIBS SHOWN

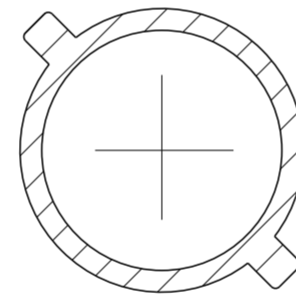
10:1



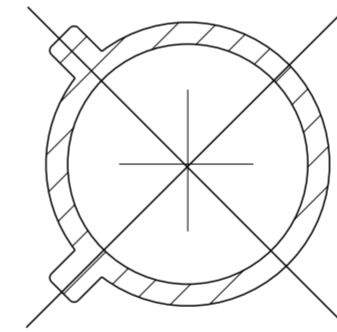
CODING A



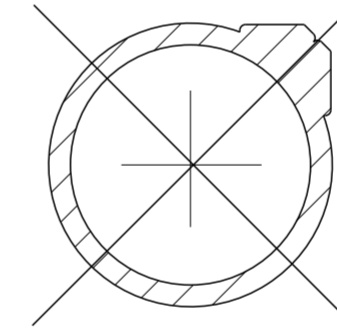
CODING B



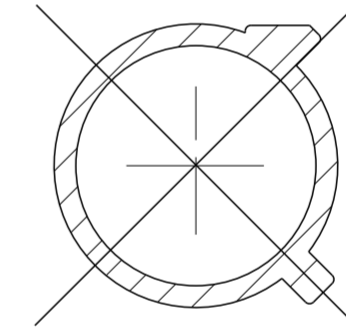
CODING C



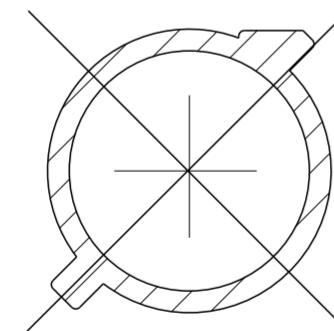
CODING D



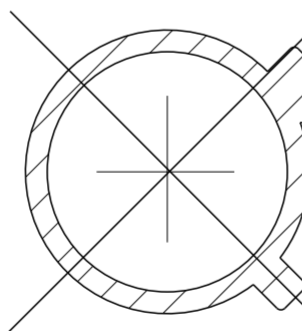
CODING E



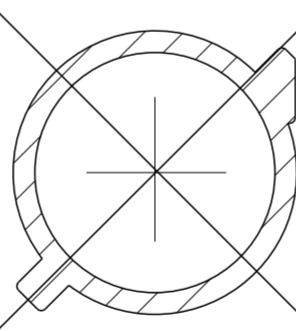
CODING F



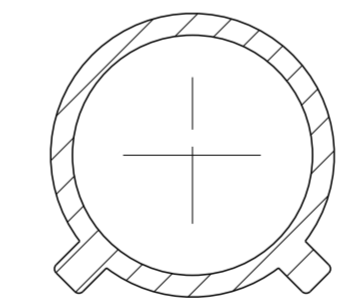
CODING G



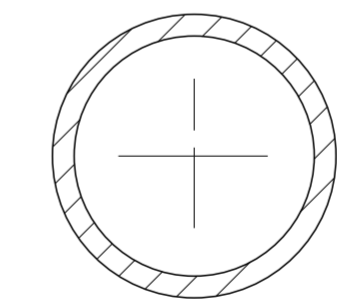
CODING H



CODING I



CODING K



CODING Z

TOLERANCING ISO 8015  
TOLERIERUNG ISO 8015

THIS DRAWING IS A CONTROLLED DOCUMENT.

DIMENSIONS:	TOLERANCES UNLESS OTHERWISE SPECIFIED:
mm	0 PLC ±0.2
	1 PLC ±0.2
	2 PLC ±0.2
	3 PLC ±0.2
	4 PLC ±0.2
ANGLES	±°
FINISH	-
MATERIAL	-
	-

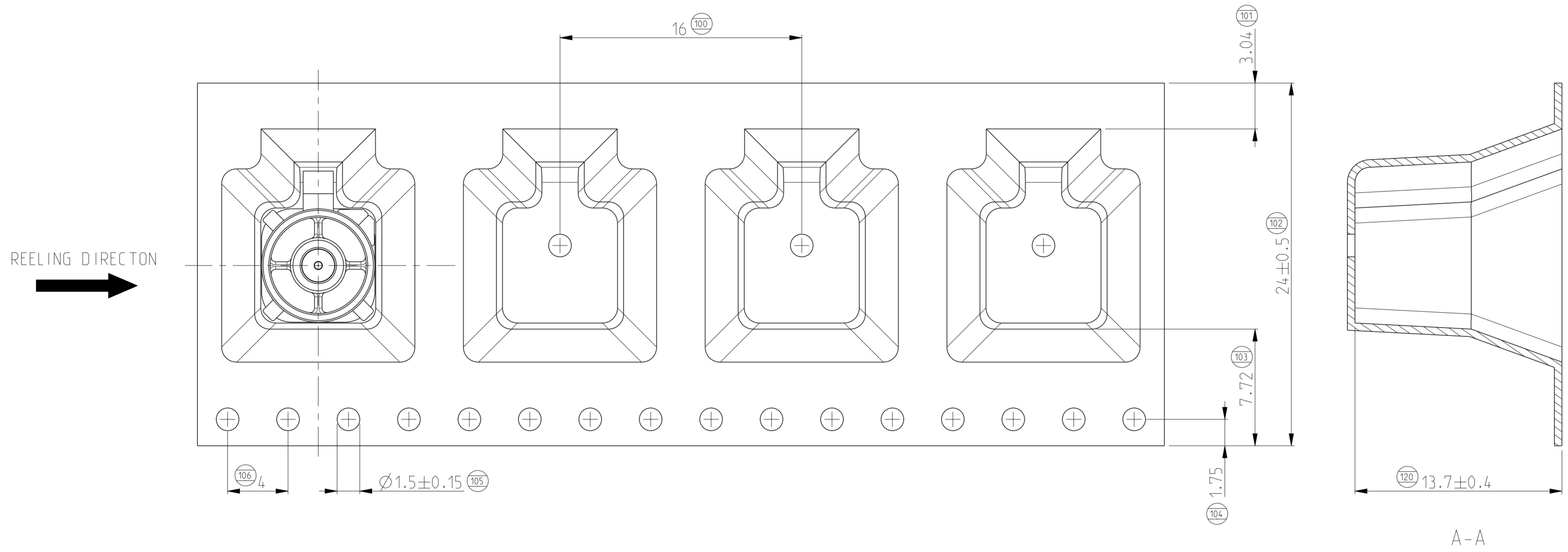
DWN	04OCT2006
CHK	O. De Cloet
APVD	20APR2007
APVD	W. Mueller
APVD	W. Stabroff
PRODUCT SPEC	108-18079
APPLICATION SPEC	114-18862
WEIGHT	-2.6 g
Customer Drawing	

TE Connectivity		NAME	
		FAKRA PCB 1POS. JACK, STRAIGHT Assembly	
SIZE	CAGE CODE	DRAWING NO	RESTRICTED TO
A2	00779	C-1703339	-
SCALE	SHEET	OF	REV
5:1	2	3	C7

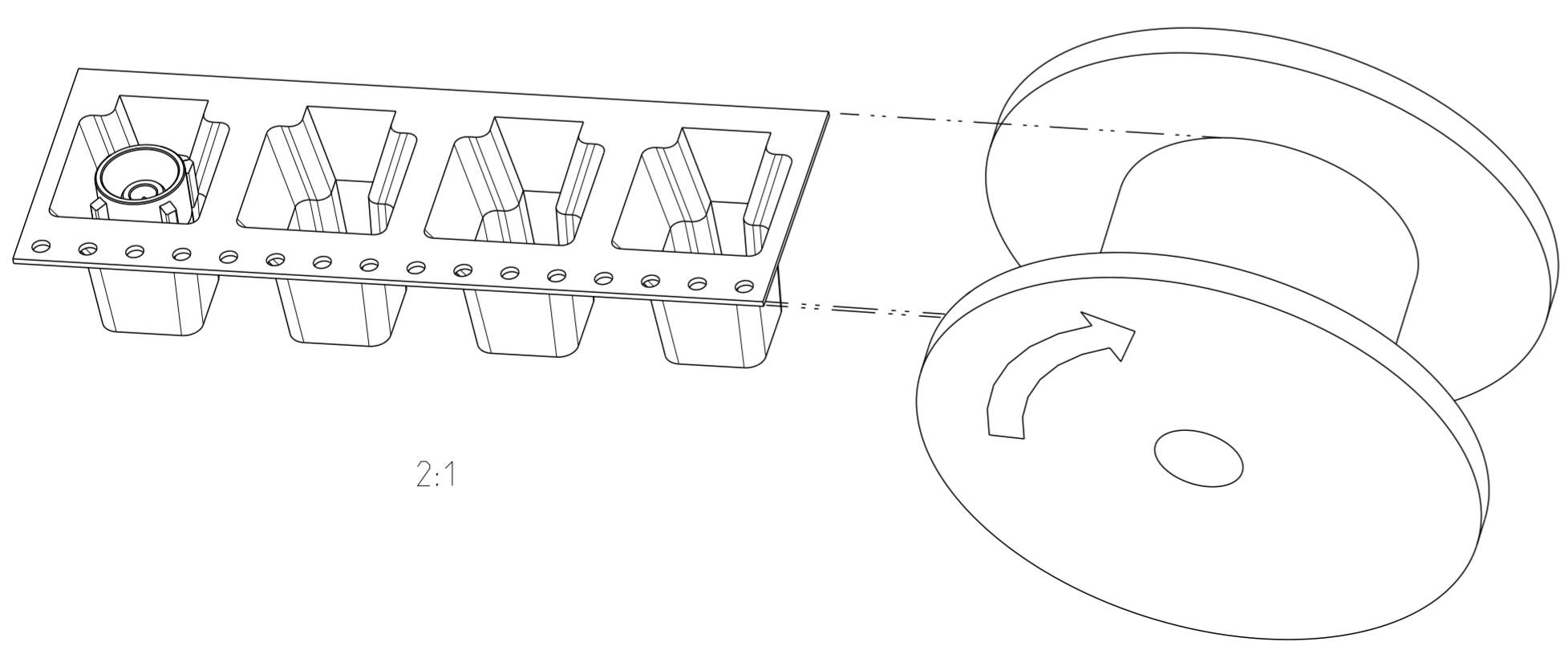
THIS DRAWING IS UNPUBLISHED. RELEASED FOR PUBLICATION 2011  
 © COPYRIGHT 2011 Tyco Electronics AMP GmbH ALL RIGHTS RESERVED.

PROJECT No.  
EGATN06051-006

REVISIONS				
P	LTR	DESCRIPTION	DATE	APVD
-	-	SEE SHEET 1	-	-



DIRECTION OF REELING ON WHEEL →



TOLERANCING ISO 8015  
TOLERIERUNG ISO 8015

THIS DRAWING IS A CONTROLLED DOCUMENT.		DWN D. De Cloet 04OCT2006	TE Connectivity	
		CHK W. Mueller 20APR2007		
		APVD W. Stabrohn 20APR2007	NAME FAKRA PCB 1POS. JACK, STRAIGHT Assembly	
DIMENSIONS: mm		PRODUCT SPEC 108-18079	SIZE A2	CAGE CODE 100779
TOLERANCES UNLESS OTHERWISE SPECIFIED:		APPLICATION SPEC 114-18862	DRAWING NO C-1703339	RESTRICTED TO -
MATERIAL -		WEIGHT -2.6 g	SCALE 5:1	SHEET 3 OF 3
		Customer Drawing	REV C7	

## X-ON Electronics

Largest Supplier of Electrical and Electronic Components

*Click to view similar products for [Automotive Connectors](#) category:*

*Click to view products by [TE Connectivity](#) manufacturer:*

Other Similar products are found below :

[003-018-000](#) [60403001](#) [60993906-B](#) [M902-2131](#) [M902-2161](#) [M902-2344](#) [72.330.1035.1](#) [73.353.4028.0](#) [F119300-B](#) [F166900](#) [F258300-B](#)  
[F358300-B](#) [F407400](#) [F444110](#) [F487000](#) [F509500B-B](#) [827153-1](#) [8N1515-32-24P](#) [9-1326729-8](#) [925474-1](#) [928905-1](#) [964562-4](#) [968782-1](#)  
[GT17SA-8DS-HU](#) [98891-1012](#) [98947-1016](#) [12004147](#) [12004475-L](#) [12010290](#) [12010309-B](#) [12015454](#) [12020219-B](#) [12041318-B](#) [12052225-](#)  
[L](#) [12052466](#) [12064869](#) [12004327-B](#) [12015308](#) [12015384](#) [12015909](#) [1-21030-1](#) [12041254](#) [12041318](#) [12047946-B](#) [12047957](#) [12047957-L](#)  
[12059473](#) [12066261](#) [12110546](#) [12110546-B](#)