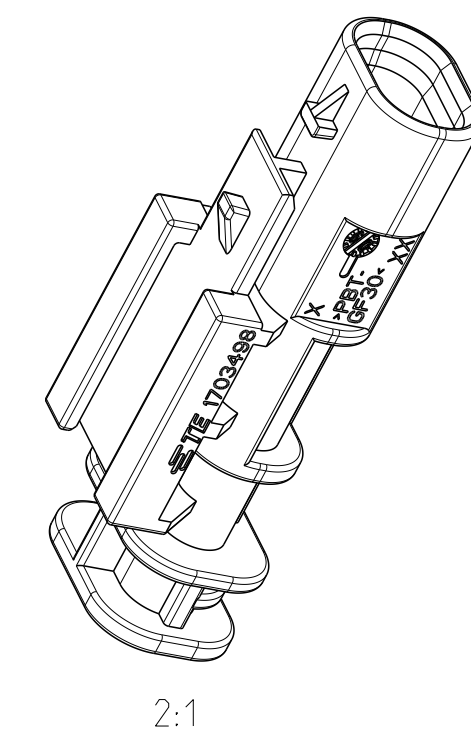
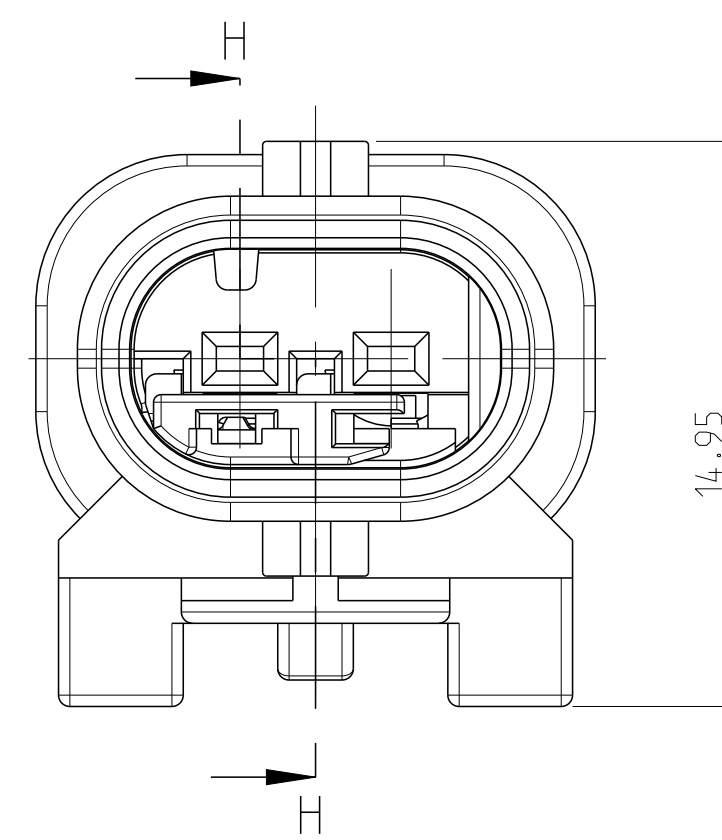
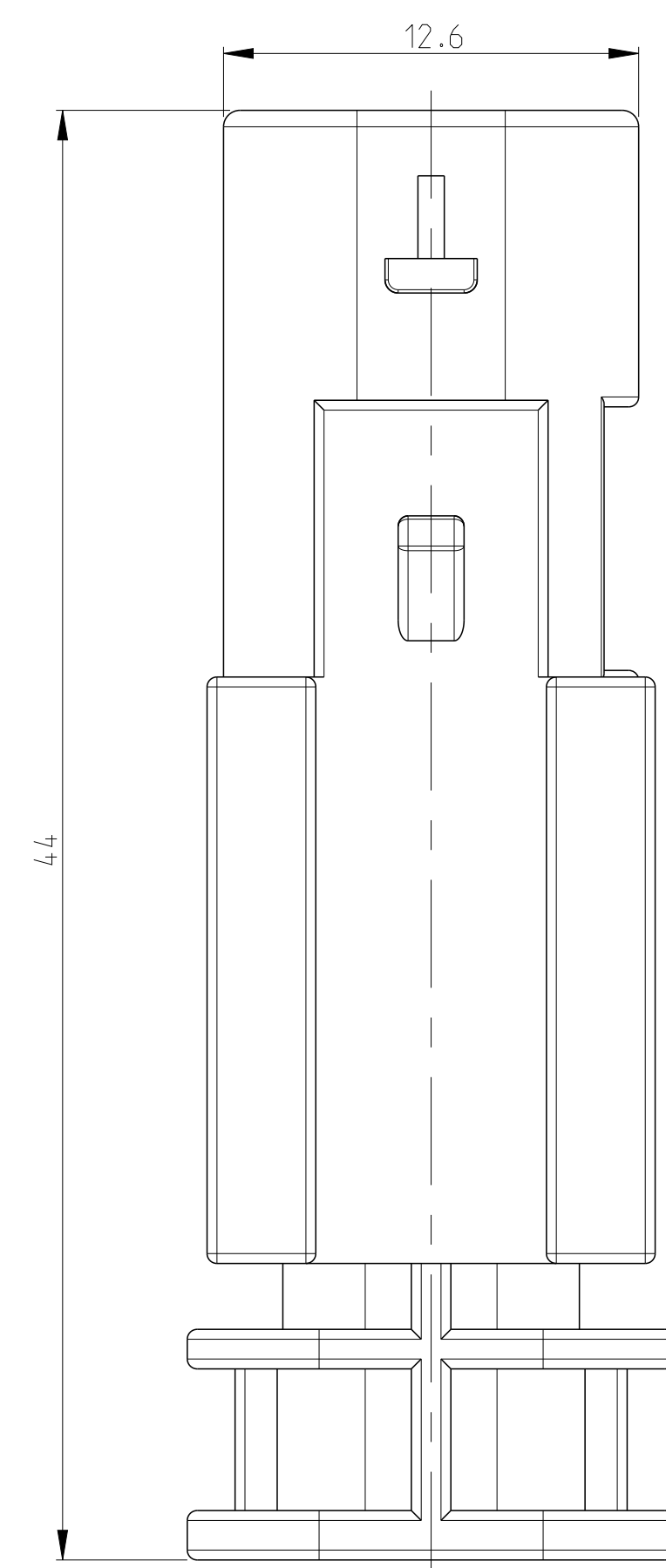
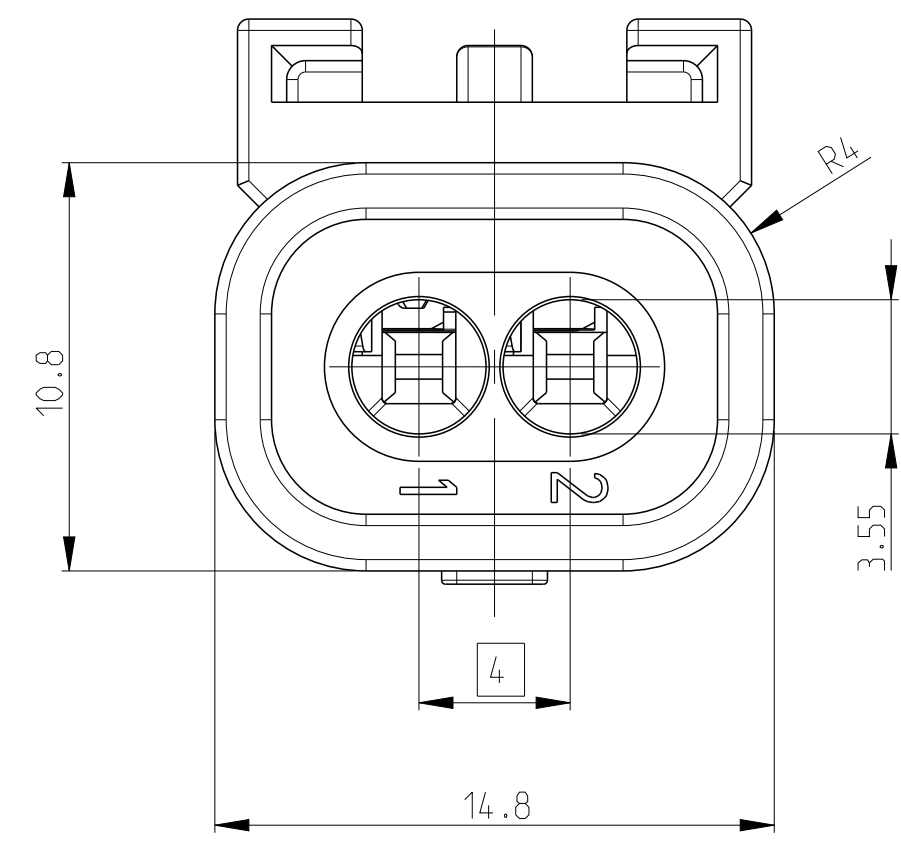
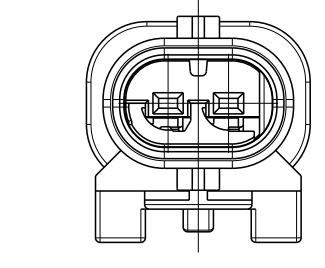


SHOWN 1-1703498-1

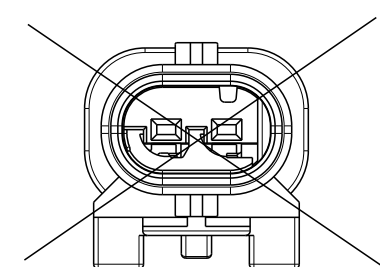


CODINGS
2:1

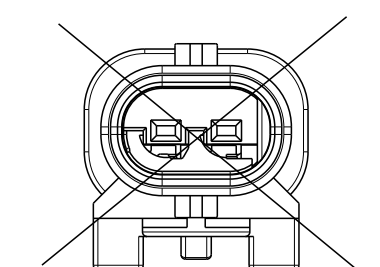
A 1-1703498-1



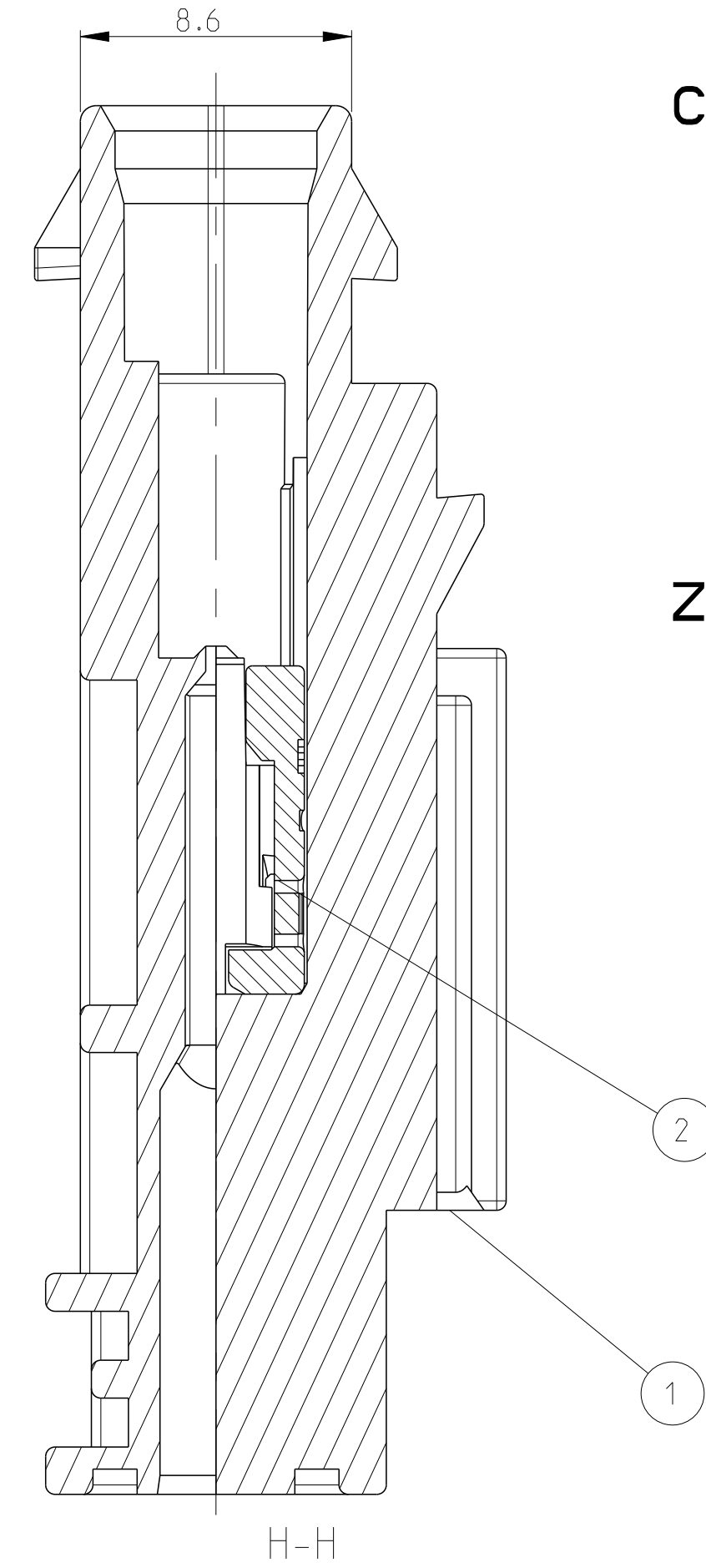
B 2-1703498-1



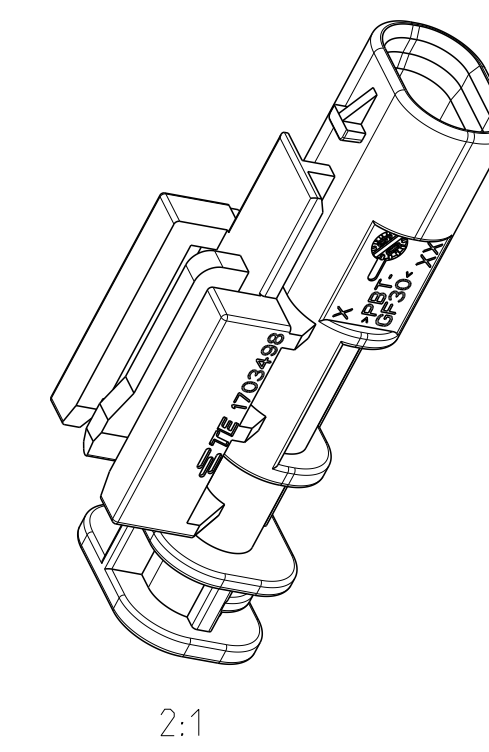
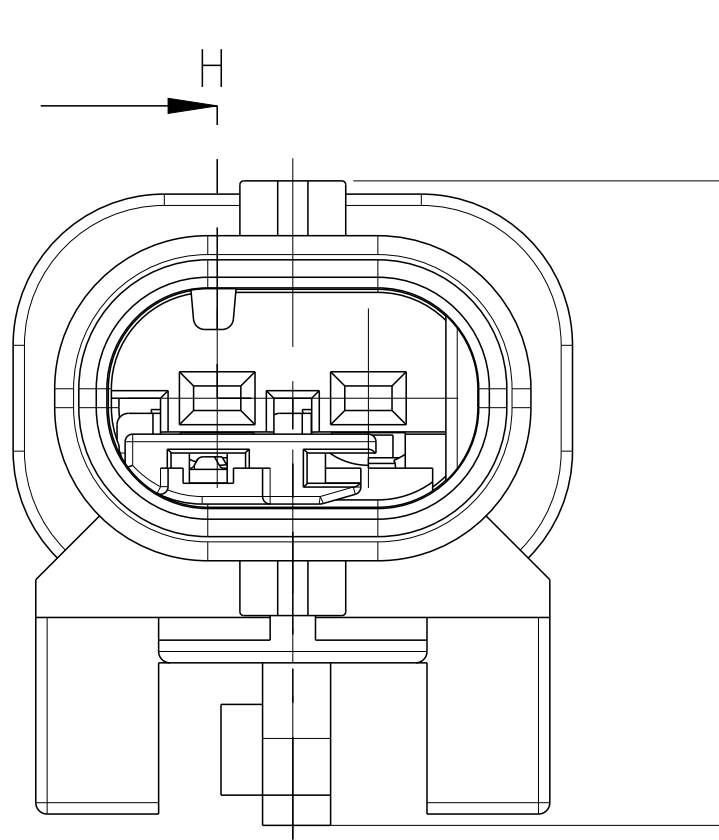
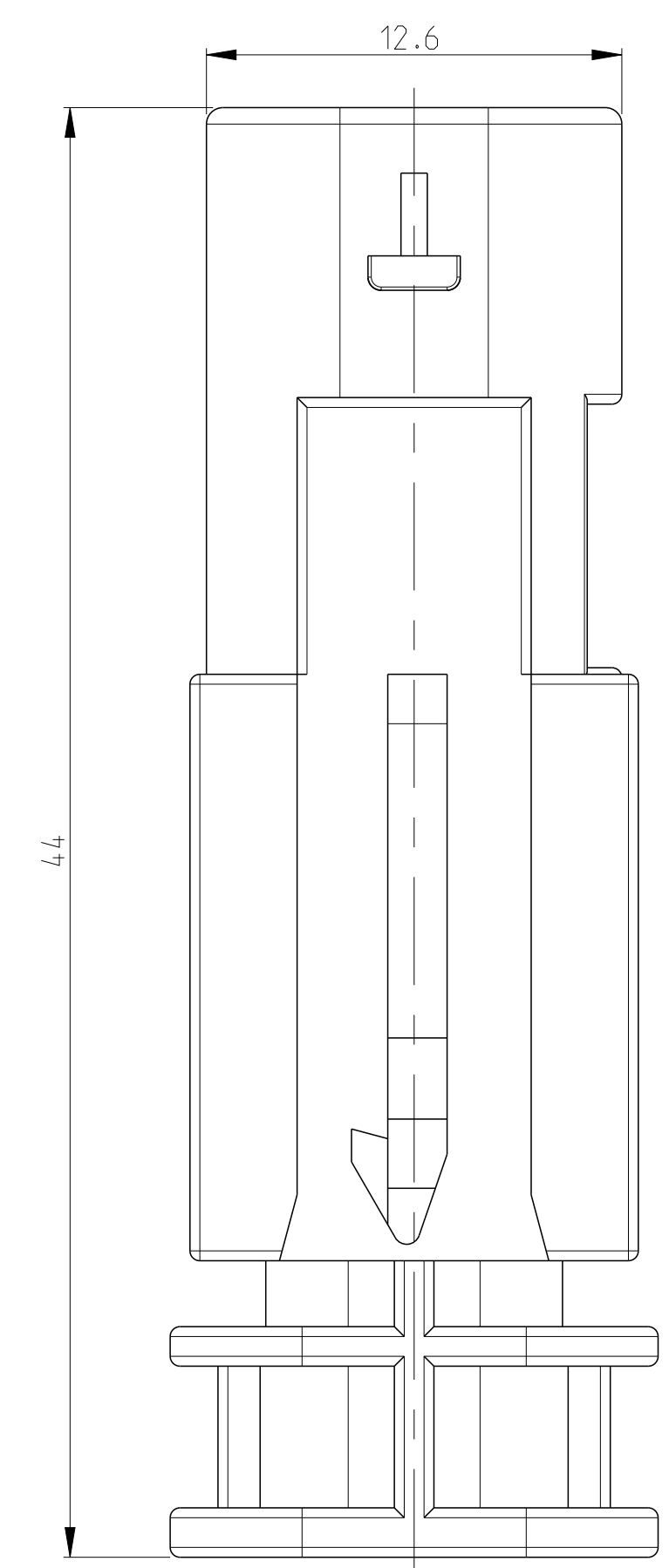
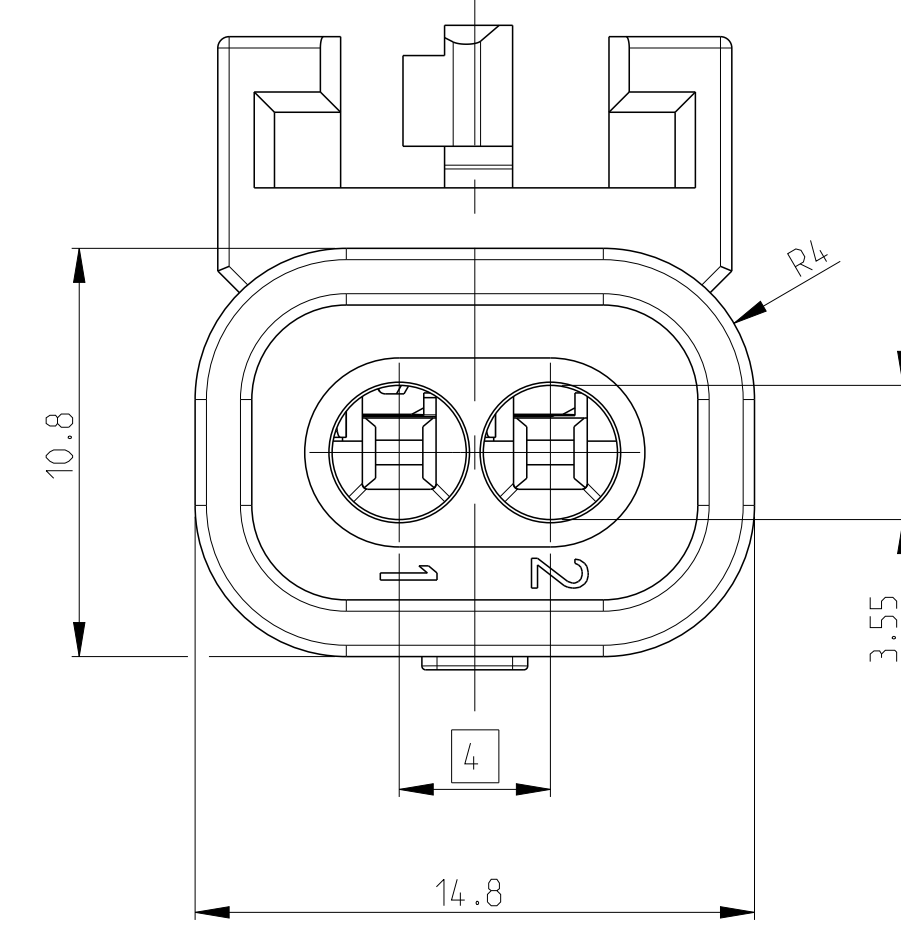
C 3-1703498-1



Z 4-1703498-1

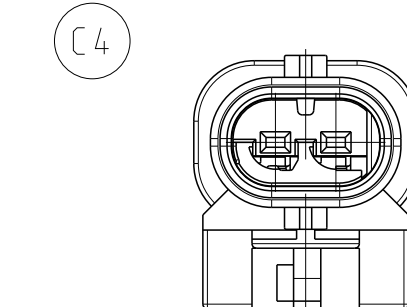


SHOWN 1-1703498-2

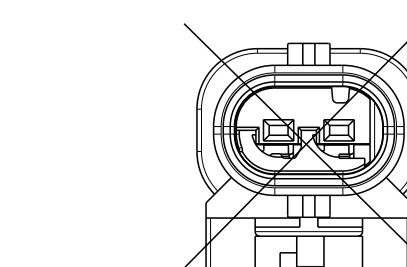


CODINGS
2:1

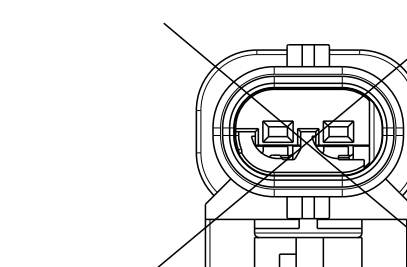
A 1-1703498-2
1-1703498-5 (VW)



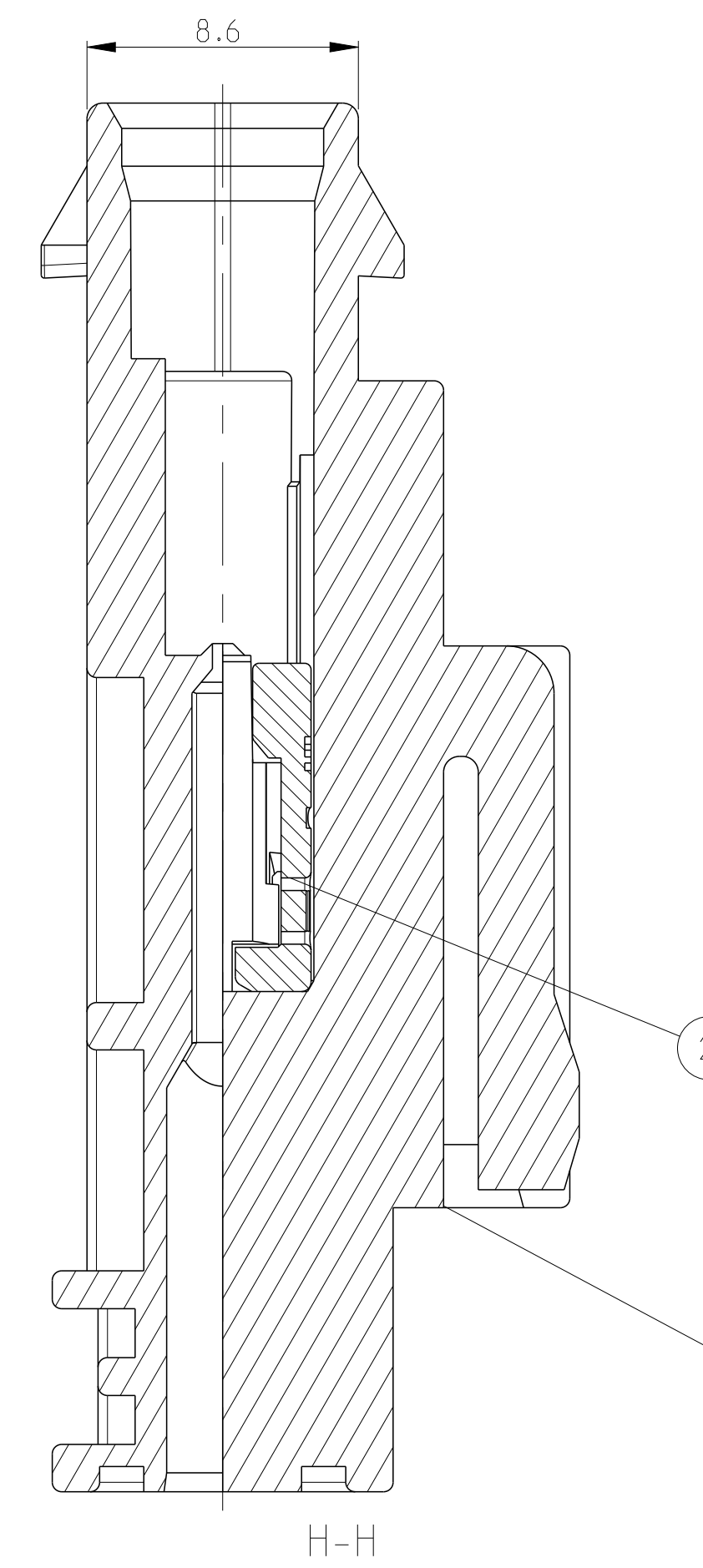
B 2-1703498-2



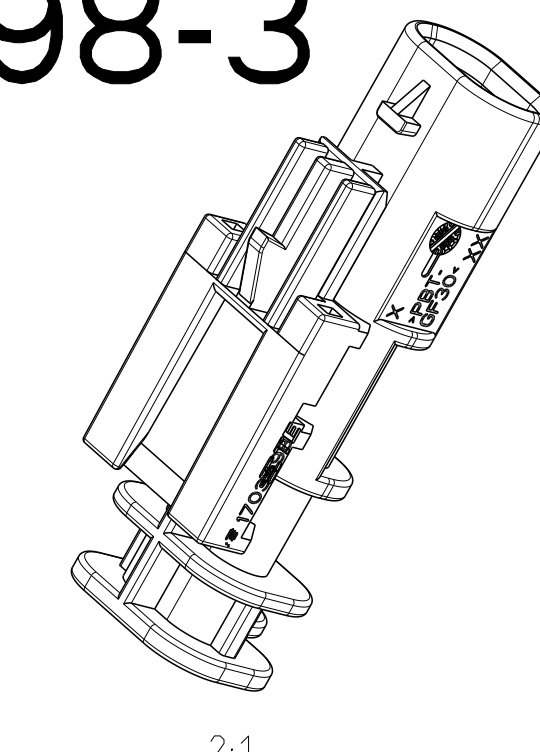
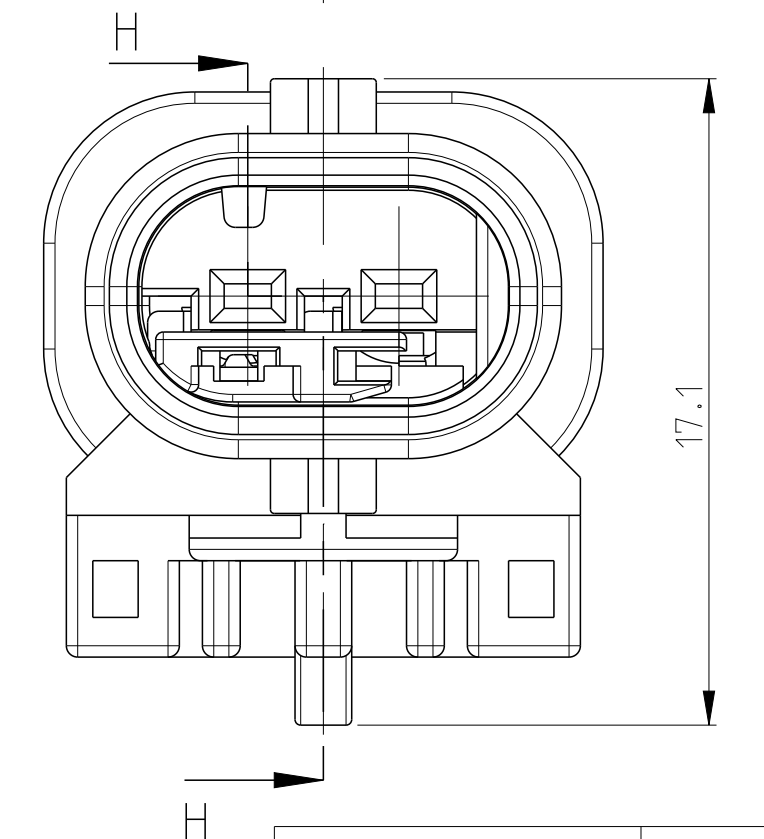
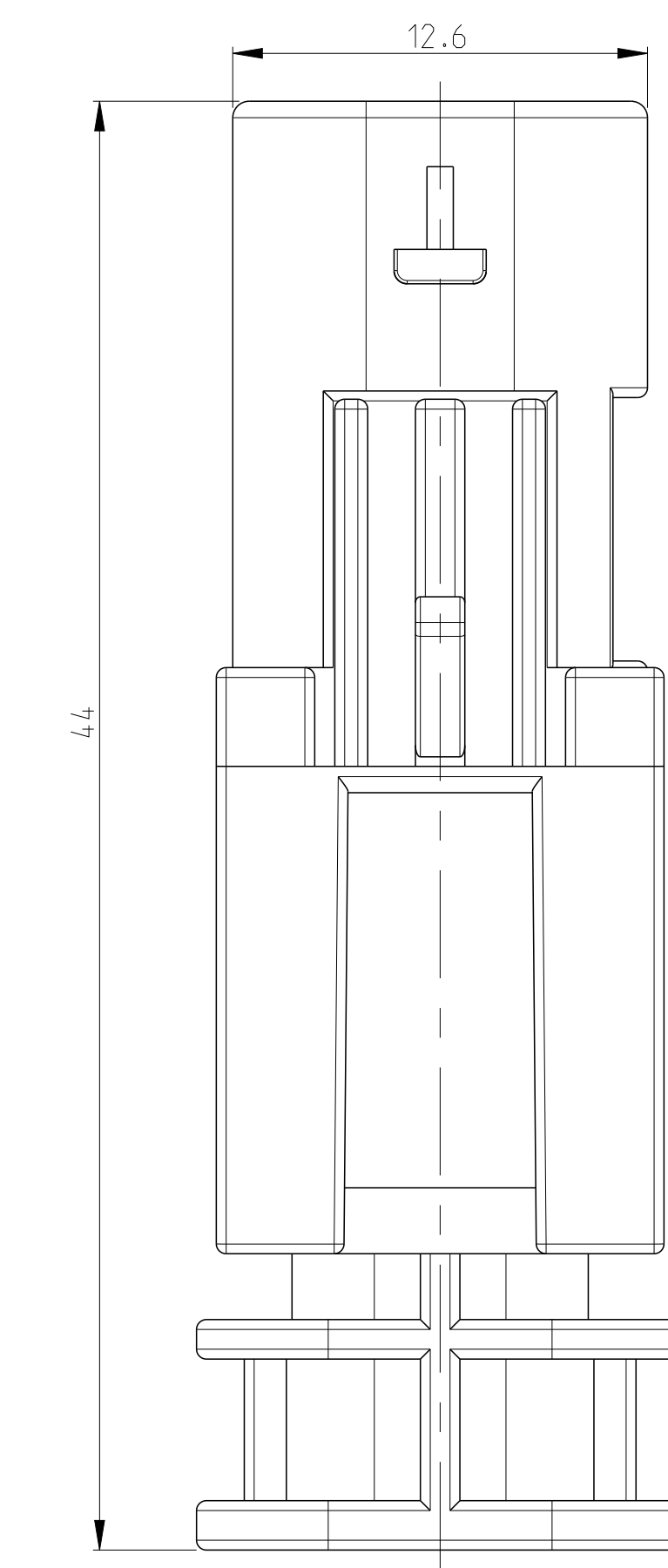
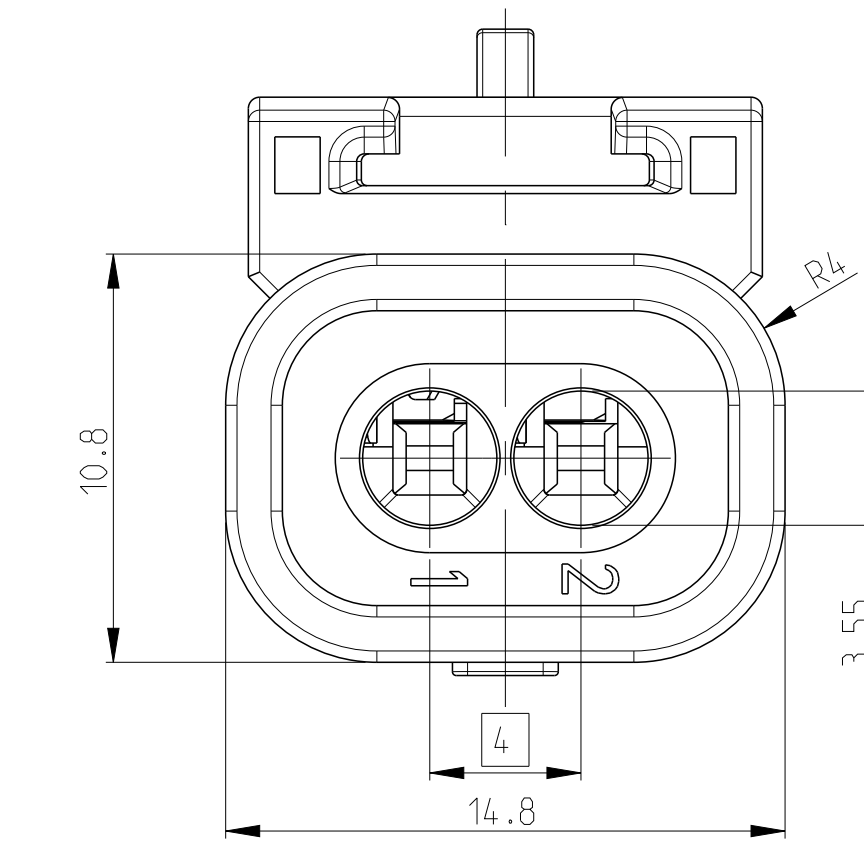
C 3-1703498-2



Z 4-1703498-2



SHOWN 1-1703498-3



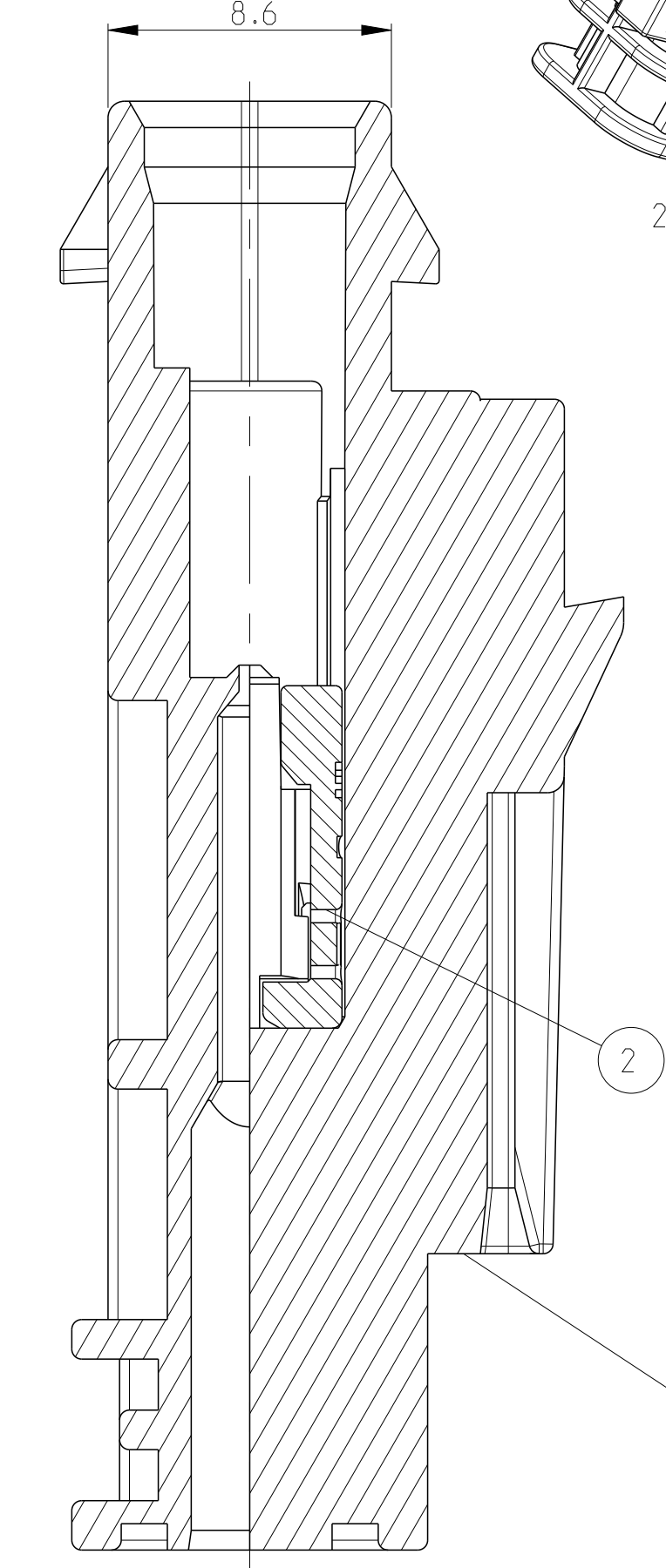
CODINGS
2:1

A 1-1703498-3 (BLACK)
1-1703498-4 (YELLOW)

B 2-1703498-3 (GREY) (C6)
2-1703498-4 (YELLOW)

C 3-1703498-3

Z 4-1703498-3



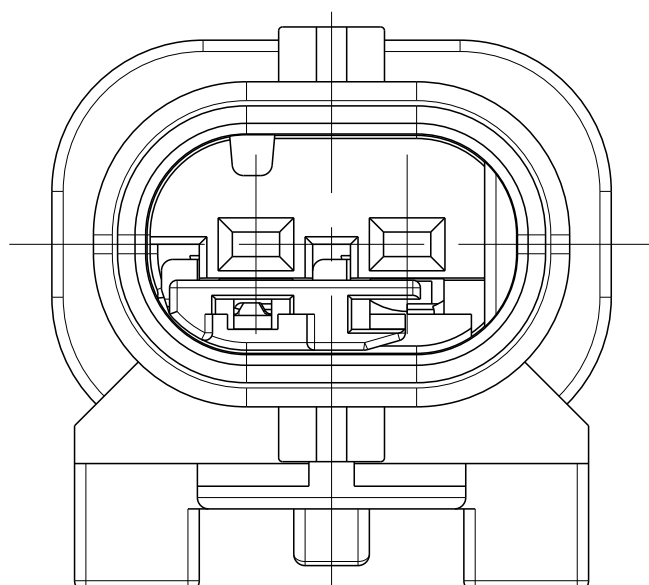
REV	DATE	DESCRIPTION	BY	CHK	APPD
C3	28APR01	REVISED PER ECO-11-005150		SK	HR
C4	25SEP013	PCN-E-13-015042		MT	HR
C5	19MAR2015	PCN-E-15-001920		MT	HR
C6	06APR2017	COLOR CORRECTION		LSZ	RT

TE SUITABLE FEMALE HSG. PASSENDE BUCHSENGEH.	ASSY REV.	TE Bestell-Nr. ORDER-NO.	CODE	Benennung TITLE	QTY	Benennung Einzelteil TITLE	Werkstoff MATERIAL	Oberflaeche/Farbe SURFACE/CLOUR	Pos. ITEM
-	C	2-1703498-4	B	Stiftgehaeuse 2pol. MALE HOUSING 2POS.	1	Kontaktsicherung RETAINER	PA66-GF35	violett/VIOLET	2
-	C	1-1703498-4	A	Stiftgehaeuse 2pol. MALE HOUSING 2POS.	1	Stiftgehaeuse 2pol. MALE HOUSING 2POS.	PBT-GF30	gelb/YELLOW	1b
-	C	1-1703498-4	A	Stiftgehaeuse 2pol. MALE HOUSING 2POS.	1	Kontaktsicherung RETAINER	PA66-GF35	violett/VIOLET	2
-	C	4-1703498-3	Z	Stiftgehaeuse 2pol. MALE HOUSING 2POS.	1	Stiftgehaeuse 2pol. MALE HOUSING 2POS.	PBT-GF30	gelb/YELLOW	1a
-	C	4-1703498-3	Z	Stiftgehaeuse 2pol. MALE HOUSING 2POS.	1	Kontaktsicherung RETAINER	PA66-GF35	violett/VIOLET	2
-	C	3-1703498-3	C	Stiftgehaeuse 2pol. MALE HOUSING 2POS.	1	Kontaktsicherung RETAINER	PA66-GF35	schwarz/BLACK	1z
-	C	3-1703498-3	C	Stiftgehaeuse 2pol. MALE HOUSING 2POS.	1	Stiftgehaeuse 2pol. MALE HOUSING 2POS.	PBT-GF30	schwarz/BLACK	1c
-	C	2-1703498-3	B	Stiftgehaeuse 2pol. MALE HOUSING 2POS.	1	Kontaktsicherung RETAINER	PA66-GF35	violett/VIOLET	2
-	C	2-1703498-3	B	Stiftgehaeuse 2pol. MALE HOUSING 2POS.	1	Stiftgehaeuse 2pol. MALE HOUSING 2POS.	PBT-GF30	grau/GREY	1b
-	C	1-1703498-3	A	Stiftgehaeuse 2pol. MALE HOUSING 2POS.	1	Kontaktsicherung RETAINER	PA66-GF35	violett/VIOLET	2
-	C	1-1703498-3	A	Stiftgehaeuse 2pol. MALE HOUSING 2POS.	1	Stiftgehaeuse 2pol. MALE HOUSING 2POS.	PBT-GF30	schwarz/BLACK	1a

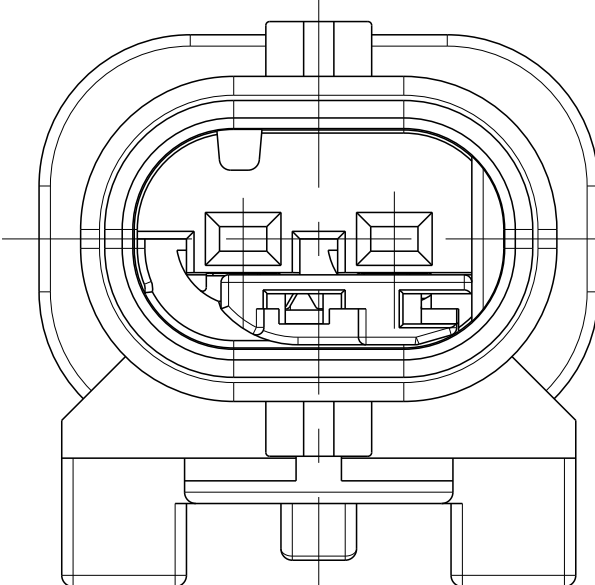
TE SUITABLE FEMALE HSG. PASSENDE BUCHSENGEH.	ASSY REV.	TE Bestell-Nr. ORDER-NO.	CODE	Benennung TITLE	QTY	Benennung Einzelteil TITLE	Werkstoff MATERIAL	Oberflaeche/Farbe SURFACE/CLOUR	Pos. ITEM
-	C	1-1703498-5	A	Stiftgehaeuse 2pol. MALE HOUSING 2POS.	1	Kontaktsicherung RETAINER	PA66-GF35	violett/VIOLET	2
-	C	1-1703498-5	A	Stiftgehaeuse 2pol. MALE HOUSING 2POS.	1	Stiftgehaeuse 2pol. MALE HOUSING 2POS.	PBT-GF30	schwarz/BLACK	1a
-	C	4-1703498-2	Z	Stiftgehaeuse 2pol. MALE HOUSING 2POS.	1	Kontaktsicherung RETAINER	PA66-GF35	violett/VIOLET	2
-	C	4-1703498-2	Z	Stiftgehaeuse 2pol. MALE HOUSING 2POS.	1	Stiftgehaeuse 2pol. MALE HOUSING 2POS.	PBT-GF30	schwarz/BLACK	1z
-	C	3-1703498-2	C	Stiftgehaeuse 2pol. MALE HOUSING 2POS.	1	Kontaktsicherung RETAINER	PA66-GF35	violett/VIOLET	2
-	C	3-1703498-2	C	Stiftgehaeuse 2pol. MALE HOUSING 2POS.	1	Stiftgehaeuse 2pol. MALE HOUSING 2POS.	PBT-GF30	schwarz/BLACK	1c
-	C	2-1703498-2	B	Stiftgehaeuse 2pol. MALE HOUSING 2POS.	1	Kontaktsicherung RETAINER	PA66-GF35	violett/VIOLET	2
-	C	2-1703498-2	B	Stiftgehaeuse 2pol. MALE HOUSING 2POS.	1	Stiftgehaeuse 2pol. MALE HOUSING 2POS.	PBT-GF30	grau/GREY	1b
-	C	1-1703498-2	A	Stiftgehaeuse 2pol. MALE HOUSING 2POS.	1	Kontaktsicherung RETAINER	PA66-GF35	violett/VIOLET	2
-	C	1-1703498-2	A	Stiftgehaeuse 2pol. MALE HOUSING 2POS.	1	Stiftgehaeuse 2pol. MALE HOUSING 2POS.	PBT-GF30	schwarz/BLACK	1a

TE SUITABLE FEMALE HSG. PASSENDE BUCHSENGEH.	ASSY REV.	TE Bestell-Nr. ORDER-NO.	CODE	Benennung TITLE	QTY	Benennung Einzelteil TITLE	Werkstoff MATERIAL	Oberflaeche/Farbe SURFACE/CLOUR	Pos. ITEM
-	C	4-1703498-1	Z	Stiftgehaeuse 2pol. MALE HOUSING 2POS.	1	Kontaktsicherung RETAINER	PA66-GF35	violett/VIOLET	2
-	C	4-1703498-1	Z	Stiftgehaeuse 2pol. MALE HOUSING 2POS.	1	Stiftgehaeuse 2pol. MALE HOUSING 2POS.	PBT-GF30	schwarz/BLACK	1z
-	C	3-1703498-1	C	Stiftgehaeuse 2pol. MALE HOUSING 2POS.	1	Kontaktsicherung RETAINER	PA66-GF35	violett/VIOLET	2
-	C	3-1703498-1	C	Stiftgehaeuse 2pol. MALE HOUSING 2POS.	1	Stiftgehaeuse 2pol. MALE HOUSING 2POS.	PBT-GF30	schwarz/BLACK	1c
-	C	2-1703498-1	B	Stiftgehaeuse 2pol. MALE HOUSING 2POS.	1	Kontaktsicherung RETAINER	PA66-GF35	violett/VIOLET	2
-	C	2-1703498-1	B	Stiftgehaeuse 2pol. MALE HOUSING 2POS.	1	Stiftgehaeuse 2pol. MALE HOUSING 2POS.	PBT-GF30	grau/GREY	1b
-	C	1-1703498-1	A	Stiftgehaeuse 2pol. MALE HOUSING 2POS.	1	Kontaktsicherung RETAINER	PA66-GF35	violett/VIOLET	2
-	C	1-1703498-1	A	Stiftgehaeuse 2pol. MALE HOUSING 2POS.	1	Stiftgehaeuse 2pol. MALE HOUSING 2POS.	PBT-GF30	schwarz/BLACK	1a

RETAINER IN PRE LOCKED POSITION
2. Kontaktsicherung in Vorraststellung



RETAINER IN FINAL LOCKED POSITION
2. Kontaktsicherung in Endraststellung



RETAINER MOVING DIRECTION
2. Kontaktsicherung Verschiebeweg

TE-PN TERMINALS	WIRE RANGE	TE-PN SINGLE WIRE SEAL	TE-PN BLIND PLUG
214868	0.08 - 0.22mm ²	967067-2	967056-1
1718758	0.25 - 0.35mm ²	967067-2	
1718760	0.5 - 0.75mm ²	967067-1	
1718762	1mm ²	967067-1	

TERMINAL TE-APPLICATION SPEC.: 114-18464

REGRIND MAX. 25%

THIS DRAWING IS A CONTROLLED DOCUMENT.

DATE: 19JUN2007
BY: A LOECSER
CHK: H. RIBBER
REV. NO.: 6

PRODUCT SPEC: MALE HOUSING, 2POS., MCON 1,2mm LL SEALED ASSY

APPROVAL: [Signature]

SCALE: 5:1

SHEET: 1 OF 1

REV: C6

X-ON Electronics

Largest Supplier of Electrical and Electronic Components

Click to view similar products for [Automotive Connectors](#) category:

Click to view products by [TE Connectivity](#) manufacturer:

Other Similar products are found below :

[003-018-000](#) [60403001](#) [60993906-B](#) [M902-2131](#) [M902-2161](#) [M902-2344](#) [72.330.1035.1](#) [73.353.4028.0](#) [F119300-B](#) [F166900](#) [F258300-B](#)
[F358300-B](#) [F407400](#) [F444110](#) [F487000](#) [F509500B-B](#) [827153-1](#) [8N1515-32-24P](#) [9-1326729-8](#) [925474-1](#) [928905-1](#) [964562-4](#) [968782-1](#)
[GT17SA-8DS-HU](#) [98891-1012](#) [98947-1016](#) [12004147](#) [12004475-L](#) [12010290](#) [12015454](#) [12020219-B](#) [12041318-B](#) [12052225-L](#) [12052466](#)
[12064869](#) [12004327-B](#) [12015308](#) [12015384](#) [12015909](#) [1-21030-1](#) [12041254](#) [12041318](#) [12047946-B](#) [12047957](#) [12047957-L](#) [12059473](#)
[12066261](#) [12110546](#) [12110546-B](#) [12131792](#)