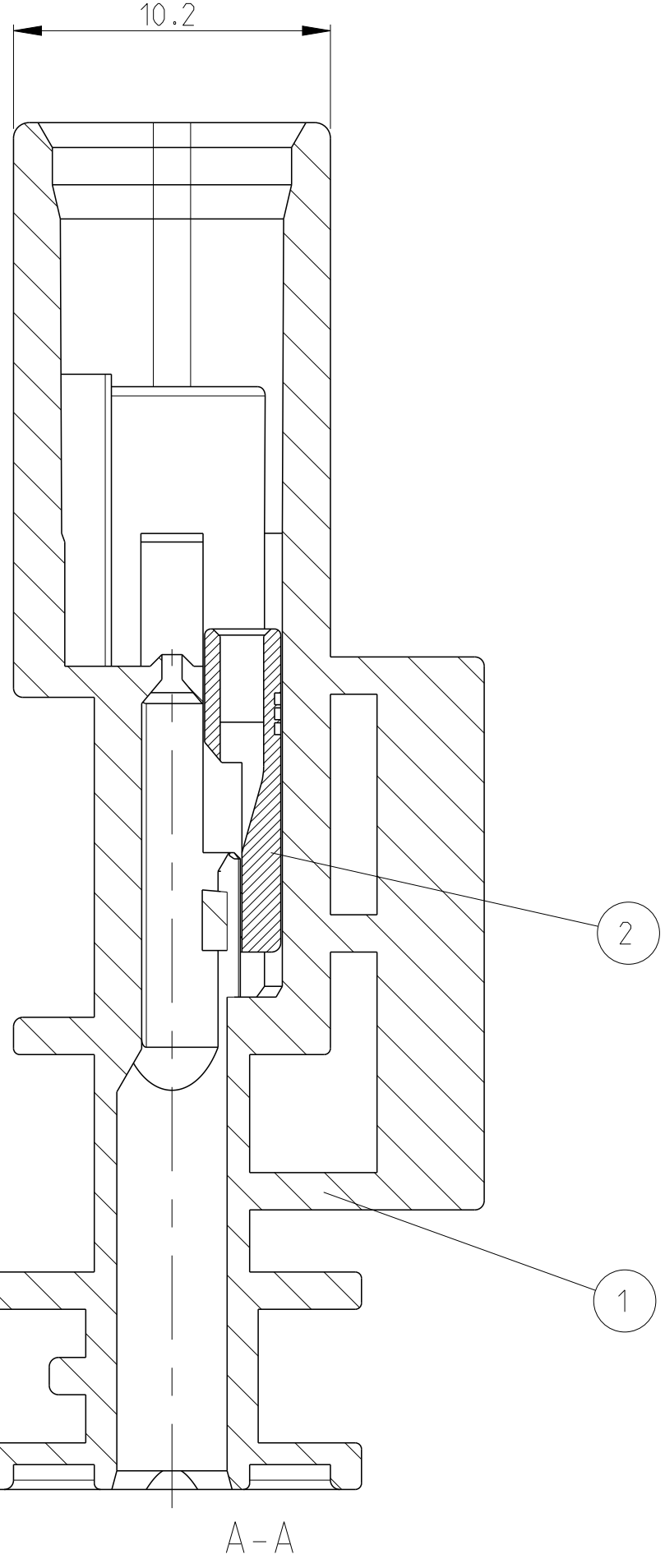
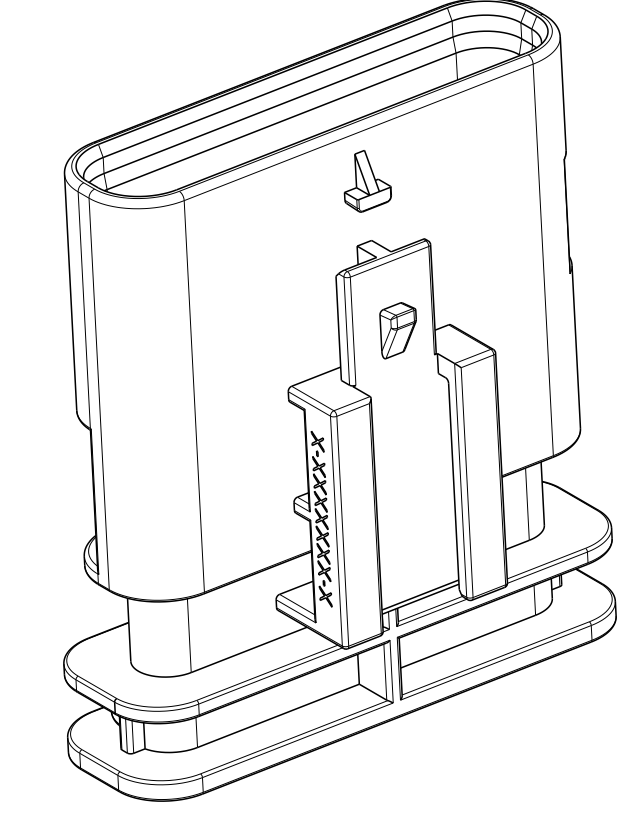
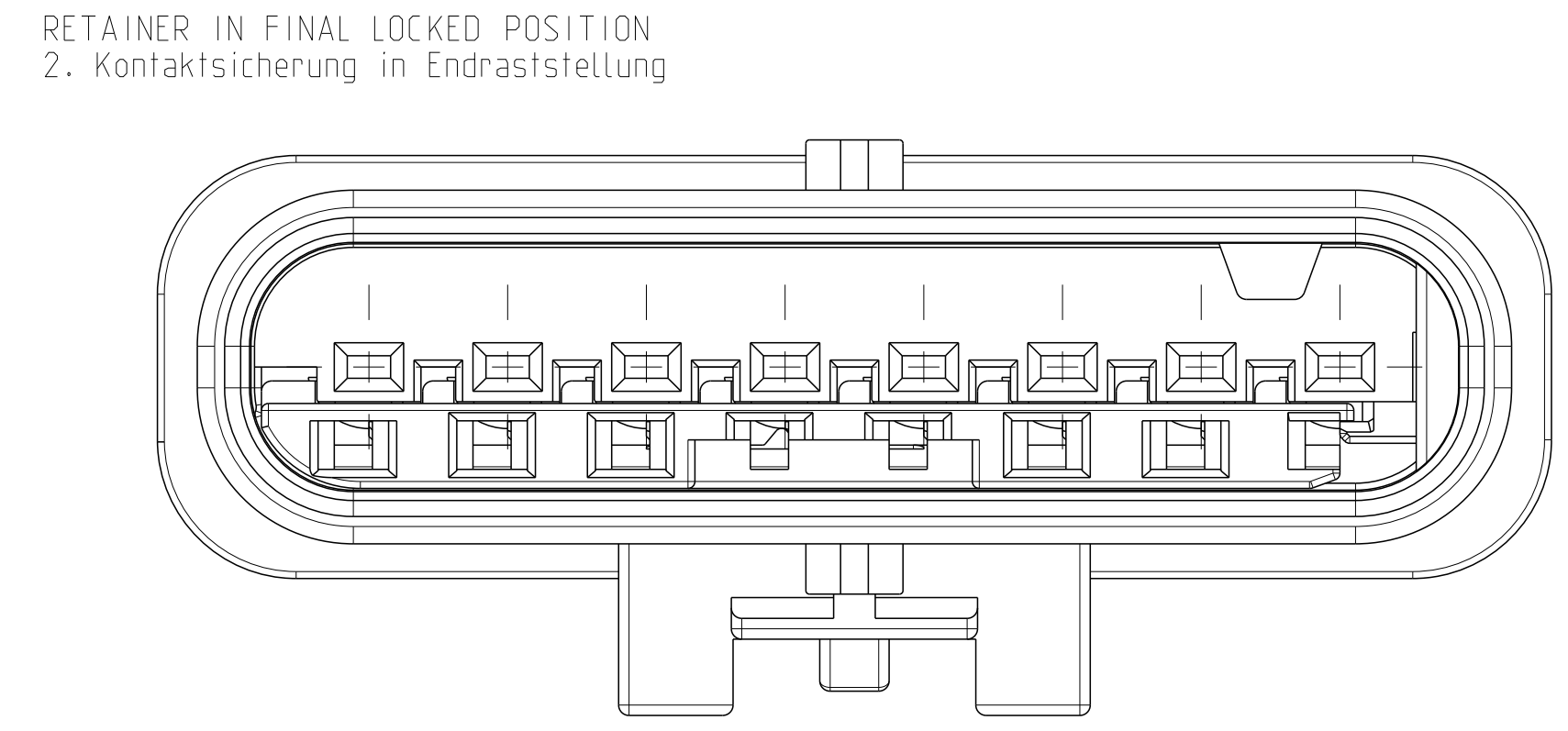
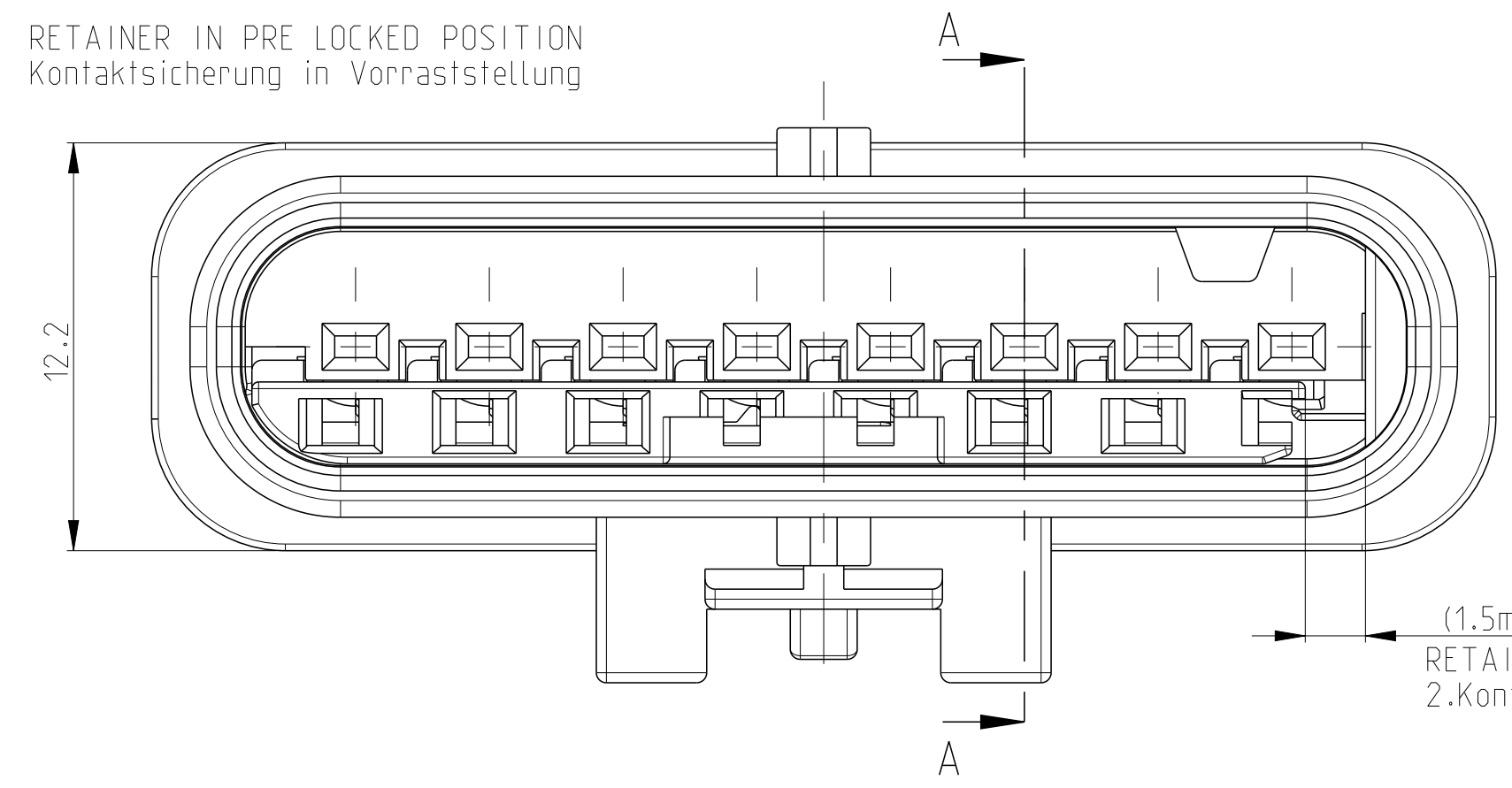
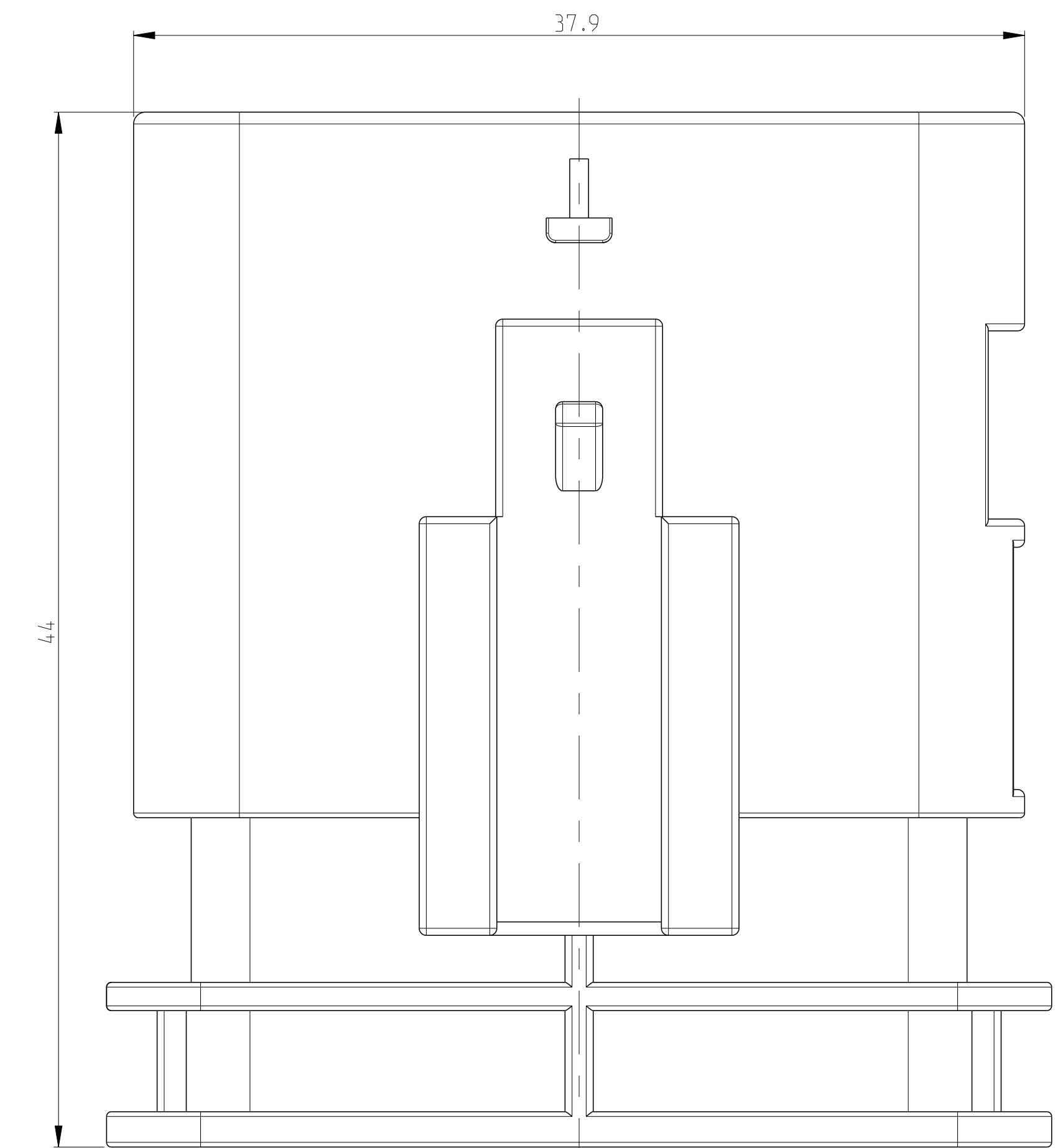
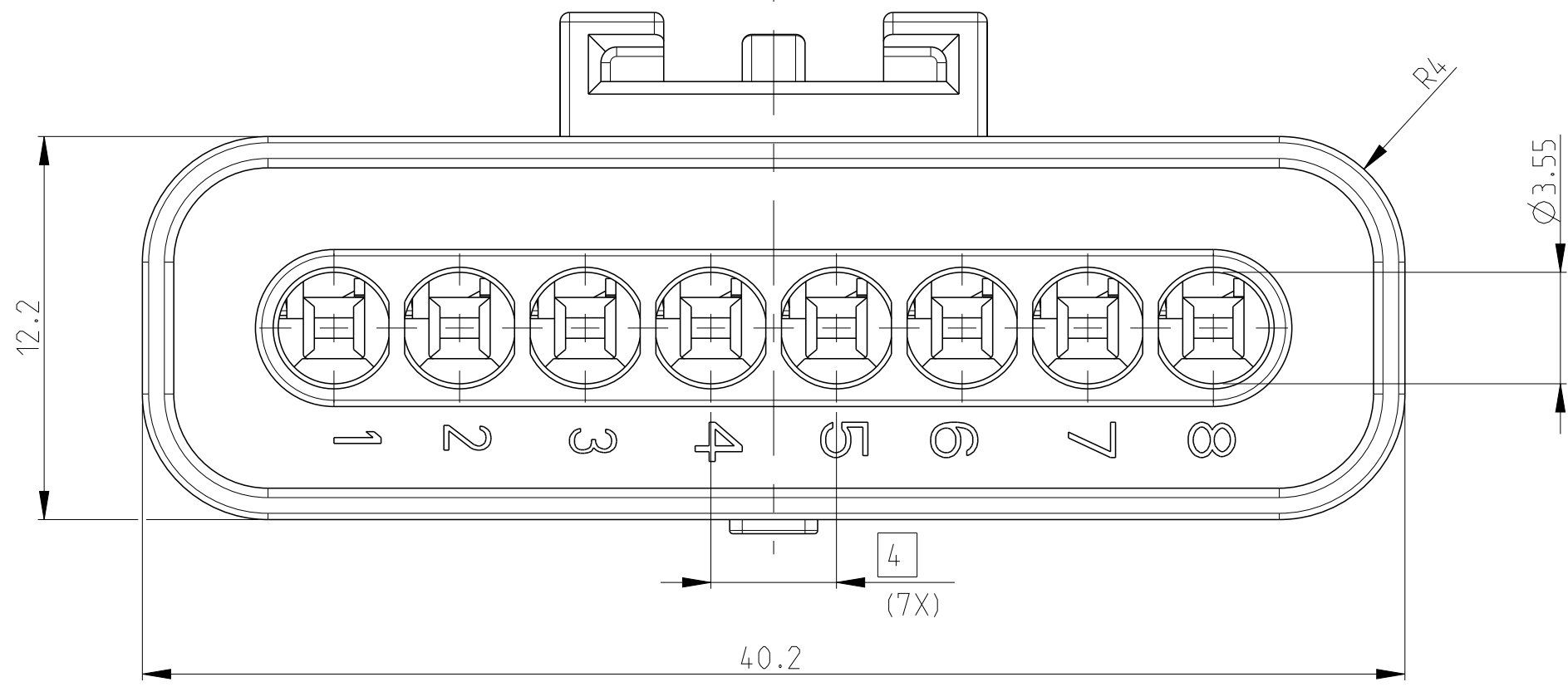
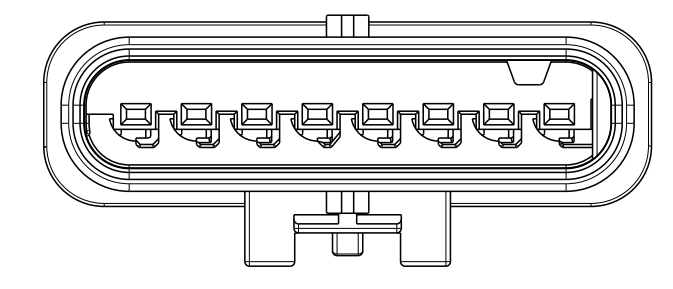


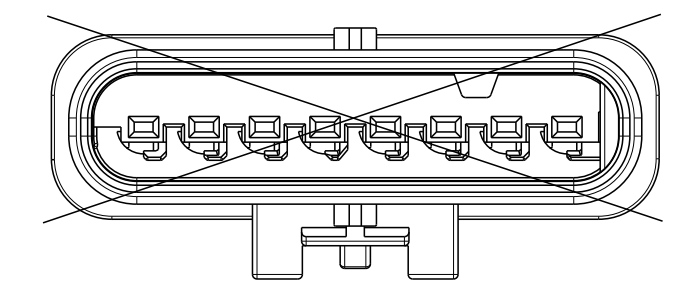
SHOWN 1-1703506-1



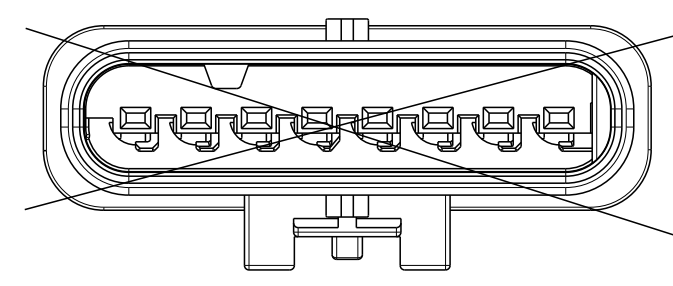
CODINGS 2:1



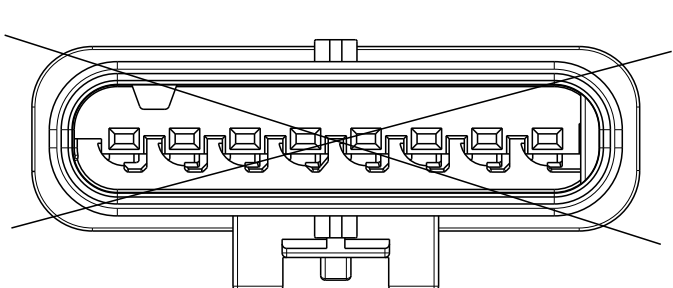
A 1-1703506-1
1-1703506-4



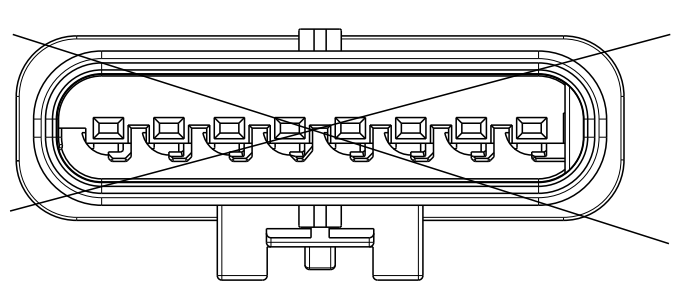
B 2-1703506-1



C 3-1703506-1

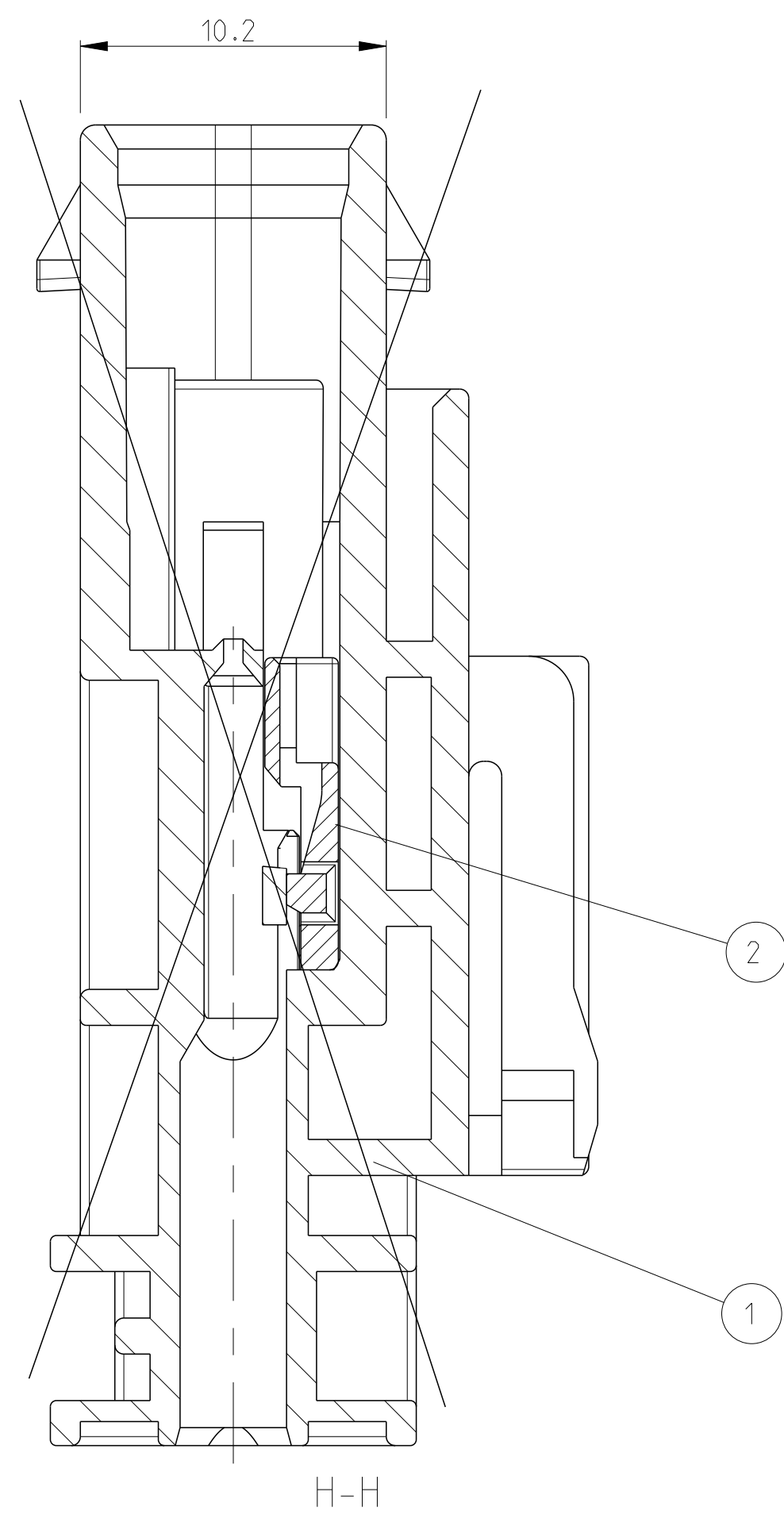
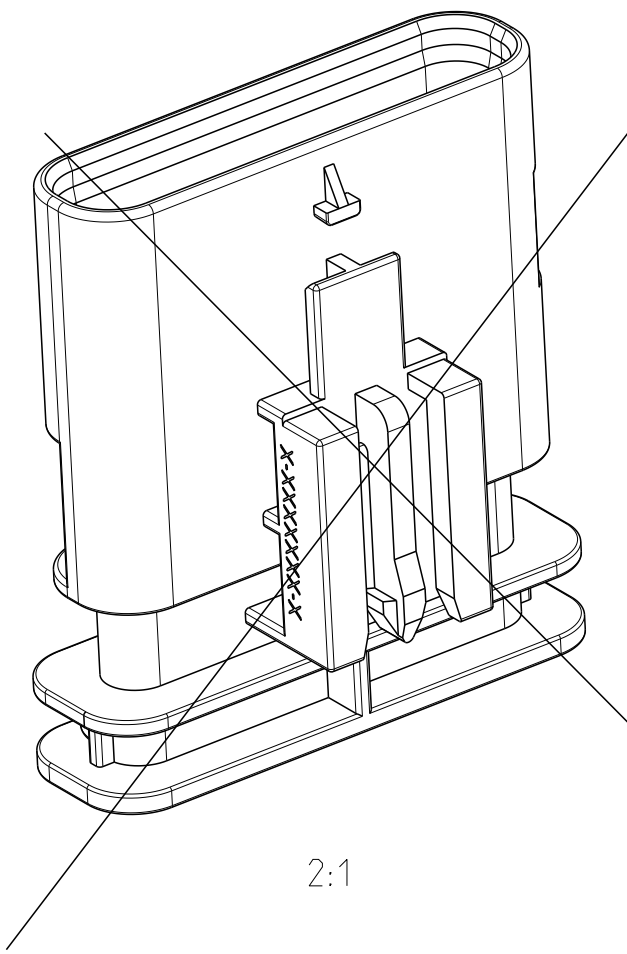
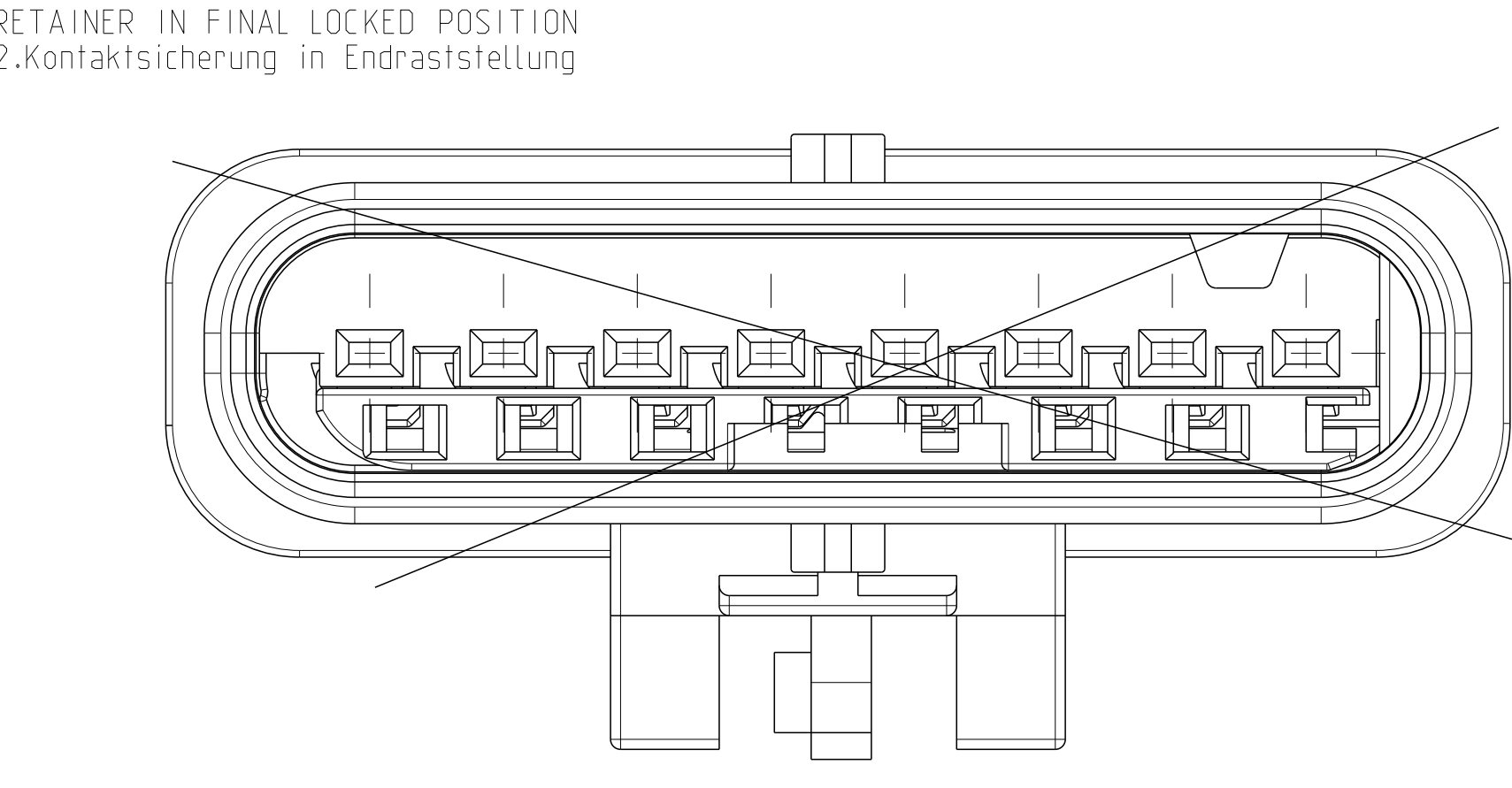
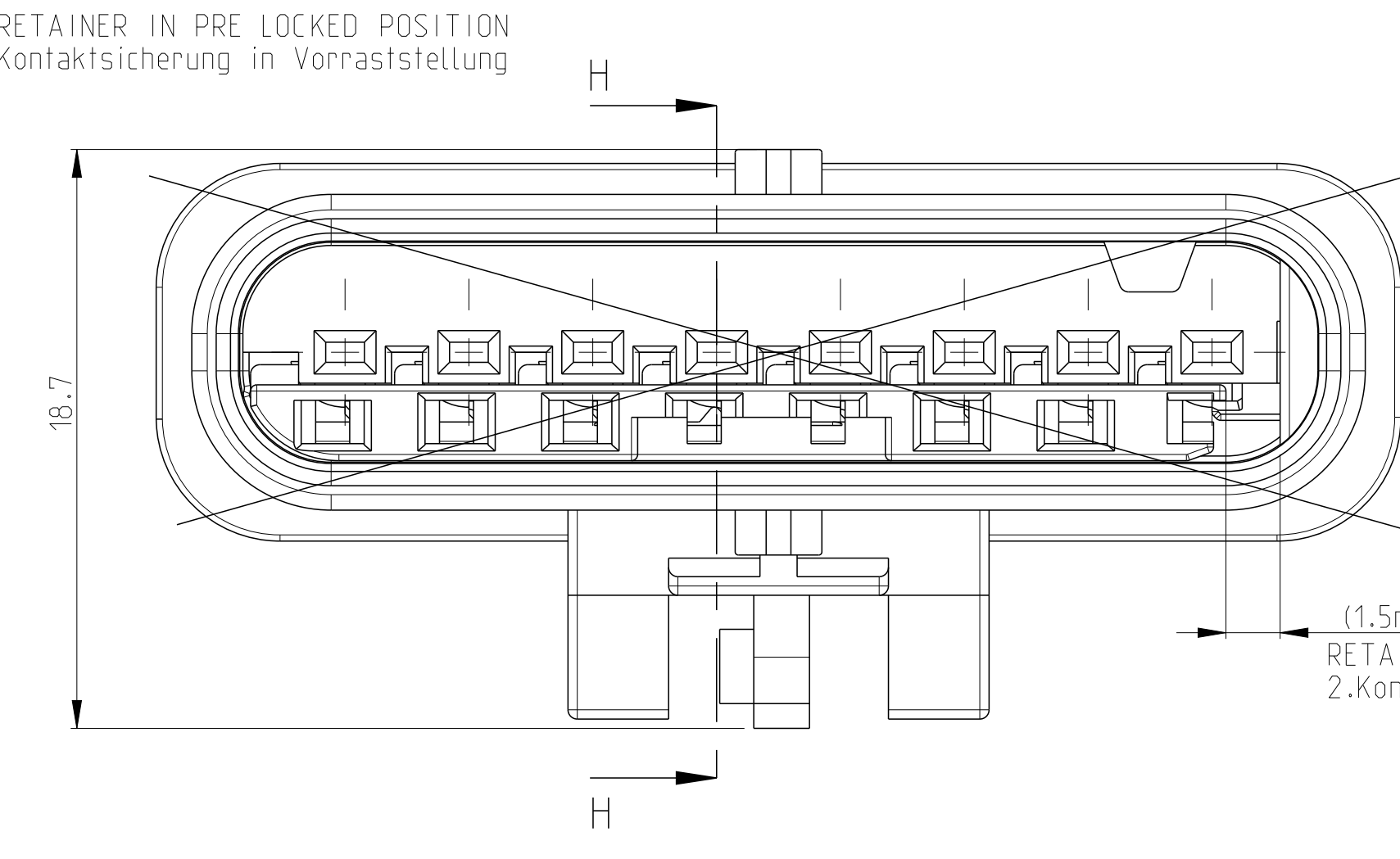
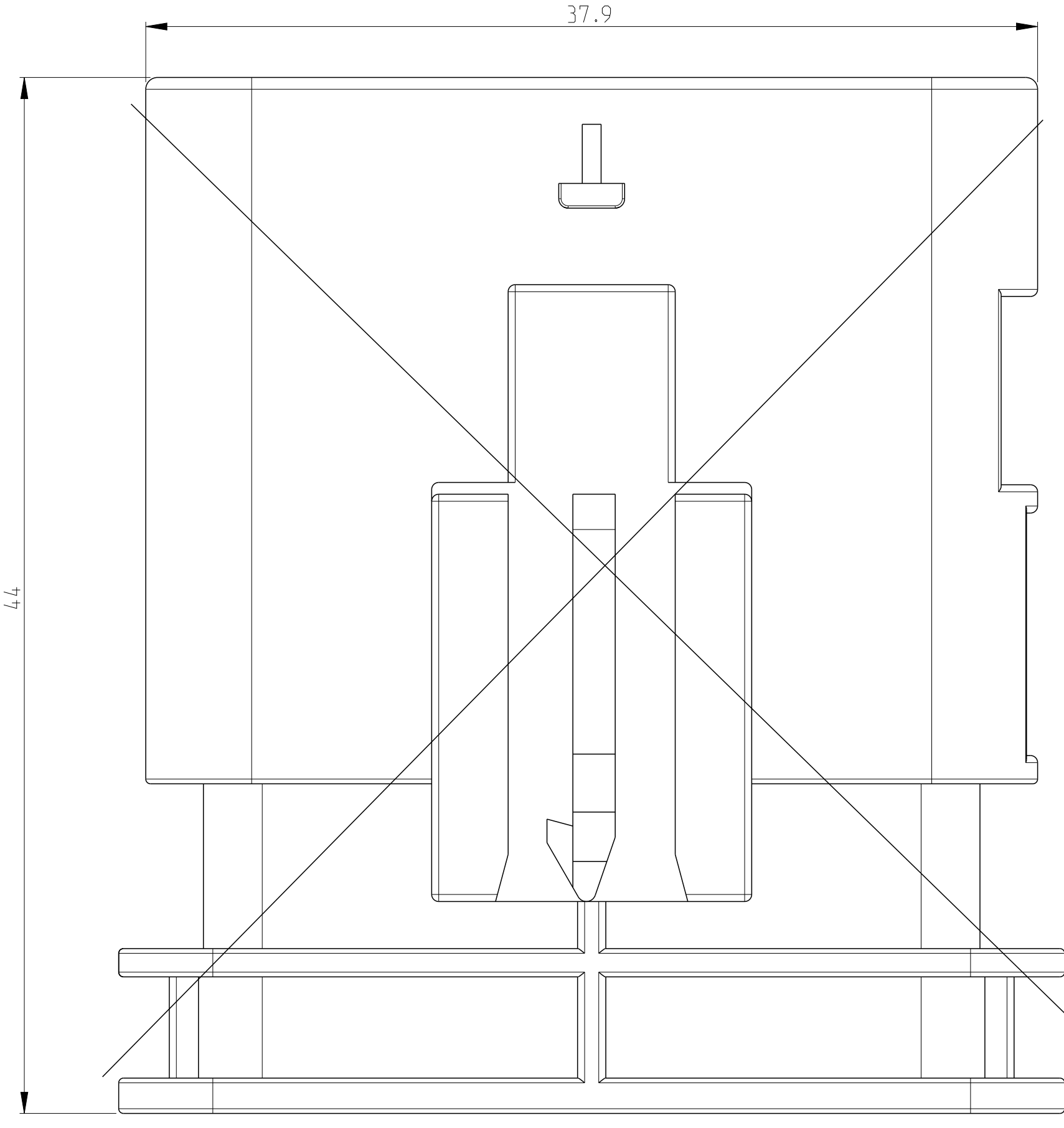
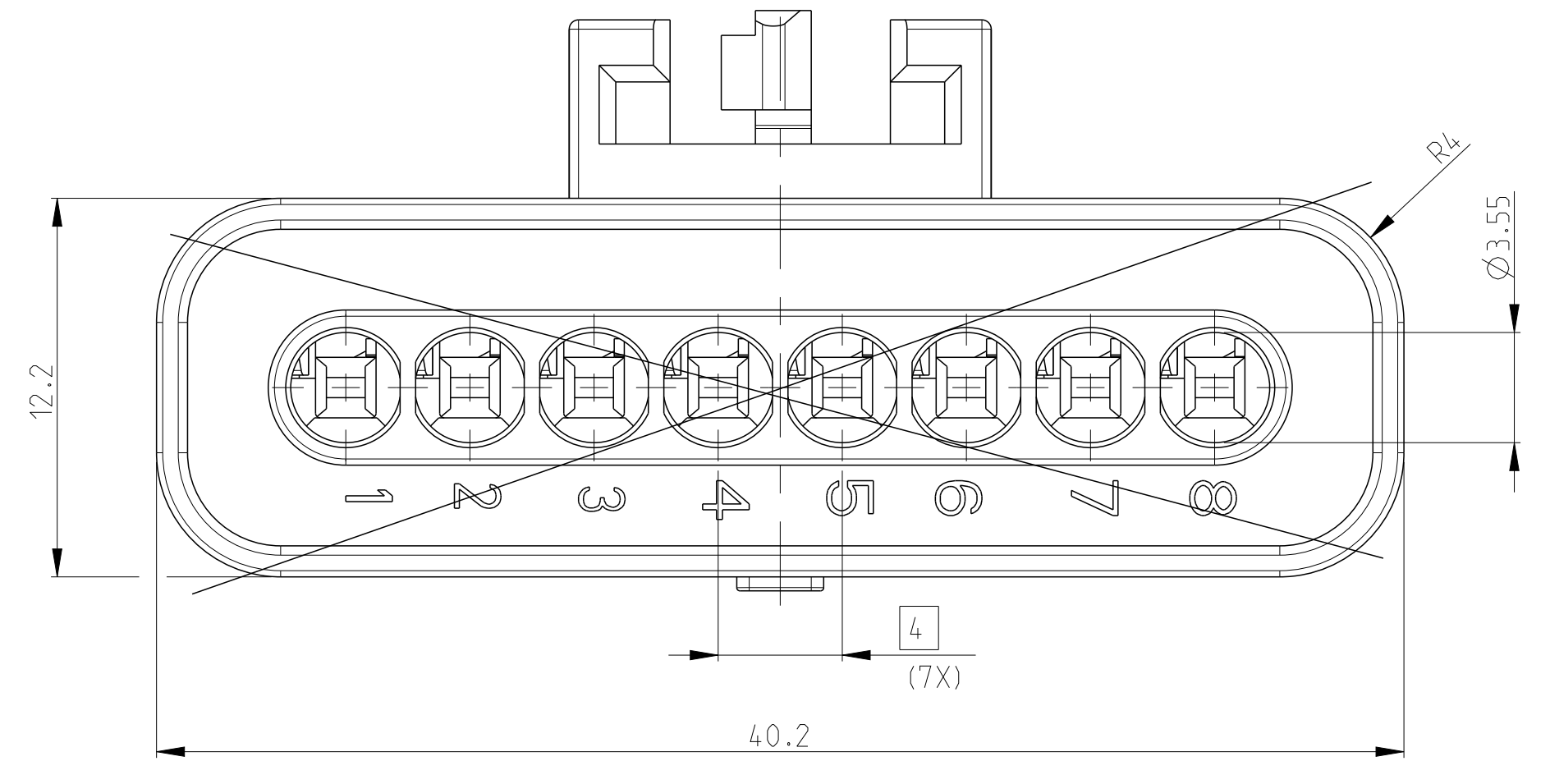


D 4-1703506-1

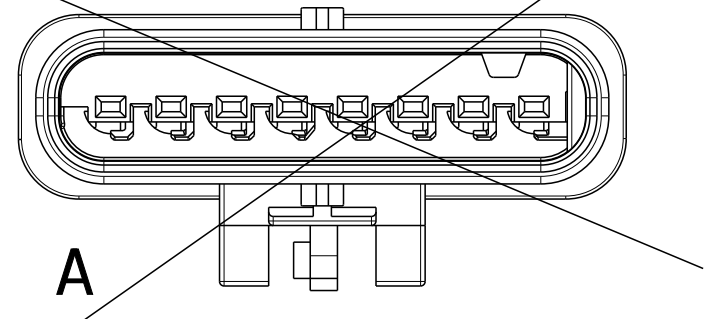


Z 5-1703506-1

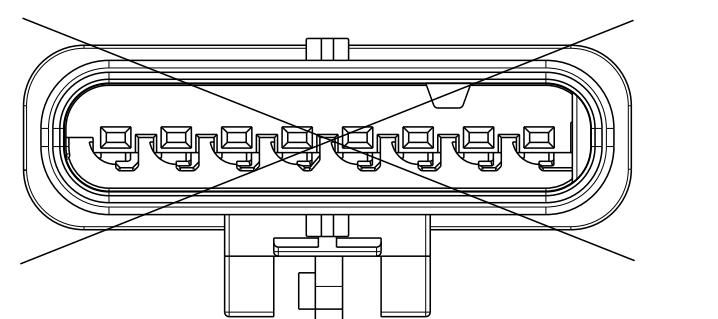
SHOWN 1-1703506-2



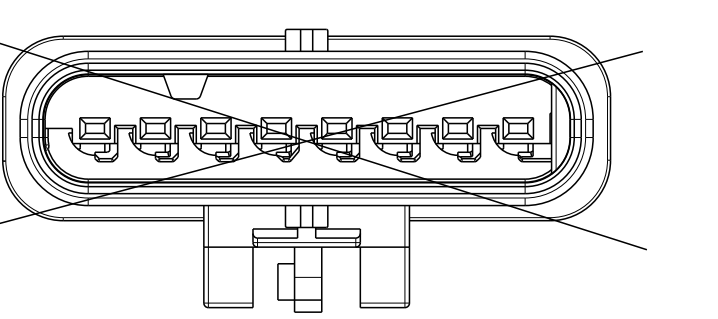
CODINGS 2:1



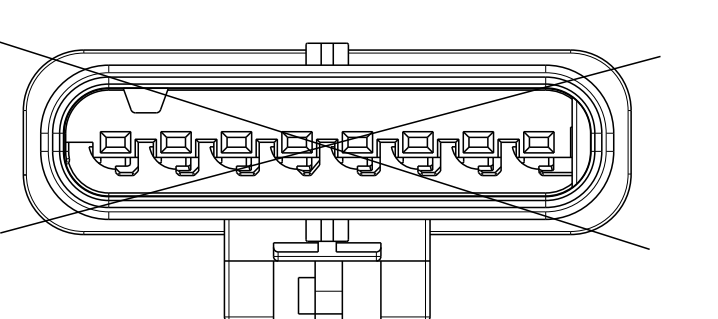
A 1-1703506-2



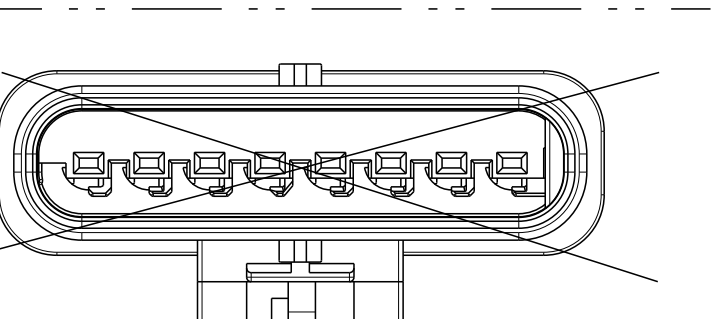
B 2-1703506-2



C 3-1703506-2



D 4-1703506-2



Z 5-1703506-2

TE-PRN	WIRE RANGE	TE-PRN	TE-PRN
TERMINALS	SINGLE WIRE	SEAL/BLIND	PLUG
2141868	0.08 - 0.22mm ²	967067-2	
1718758	0.25 - 0.35mm ²	967067-2	967056-1
1718760	0.5 - 0.75mm ²	967067-1	
1718782	1mm ²	967067-1	

TERMINAL TE-APPLICATION SPEC: 114-18464

TE- Bestell-Nr./ORDER-NO.	CODE	Benennung/TITLE	QTY	Benennung Einzelteil/TITLE	Werkstoff/MATERIAL	Oberfläche/Farbe/SURFACE/COLOR	Pos./ITEM
5-1703506-2	Z	Stiftgehaeuse 8pol. MALE HOUSING 8POS.	1	Kontaktsicherung	PA66-GF35	violett/VIOLET	2
			1	Stiftgehaeuse	PBT-GF30	schwarz/BLACK	1a
4-1703506-2	D	Stiftgehaeuse 8pol. MALE HOUSING 8POS.	1	Kontaktsicherung	PA66-GF35	violett/VIOLET	2
			1	Stiftgehaeuse	PBT-GF30	schwarz/BLACK	1d
3-1703506-2	C	Stiftgehaeuse 8pol. MALE HOUSING 8POS.	1	Kontaktsicherung	PA66-GF35	violett/VIOLET	2
			1	Stiftgehaeuse	PBT-GF30	schwarz/BLACK	1c
2-1703506-2	B	Stiftgehaeuse 8pol. MALE HOUSING 8POS.	1	Kontaktsicherung	PA66-GF35	violett/VIOLET	2
			1	Stiftgehaeuse	PBT-GF30	grau/GRY	1b
1-1703506-2	A	Stiftgehaeuse 8pol. MALE HOUSING 8POS.	1	Kontaktsicherung	PA66-GF35	violett/VIOLET	2
			1	Stiftgehaeuse	PBT-GF30	schwarz/BLACK	1a

1-1703506-4	A	Stiftgehaeuse 8pol. MALE HOUSING 8POS.	1	Kontaktsicherung	PA66-GF35	violett/VIOLET	2
			1	Stiftgehaeuse	PBT-GF30	gelb/YELLOW	1a
5-1703506-1	Z	Stiftgehaeuse 8pol. MALE HOUSING 8POS.	1	Kontaktsicherung	PA66-GF35	violett/VIOLET	2
			1	Stiftgehaeuse	PBT-GF30	schwarz/BLACK	1z
4-1703506-1	D	Stiftgehaeuse 8pol. MALE HOUSING 8POS.	1	Kontaktsicherung	PA66-GF35	violett/VIOLET	2
			1	Stiftgehaeuse	PBT-GF30	schwarz/BLACK	1d
3-1703506-1	C	Stiftgehaeuse 8pol. MALE HOUSING 8POS.	1	Kontaktsicherung	PA66-GF35	violett/VIOLET	2
			1	Stiftgehaeuse	PBT-GF30	schwarz/BLACK	1c
2-1703506-1	B	Stiftgehaeuse 8pol. MALE HOUSING 8POS.	1	Kontaktsicherung	PA66-GF35	violett/VIOLET	2
			1	Stiftgehaeuse	PBT-GF30	grau/GRY	1b
1-1703506-1	A	Stiftgehaeuse 8pol. MALE HOUSING 8POS.	1	Kontaktsicherung	PA66-GF35	violett/VIOLET	2
			1	Stiftgehaeuse	PBT-GF30	schwarz/BLACK	1a

DIMENSIONS:		DIMENSIONS:		DIMENSIONS:	
0	PLC	0	PLC	0	PLC
1	PLC	1	PLC	1	PLC
2	PLC	2	PLC	2	PLC
3	PLC	3	PLC	3	PLC
4	PLC	4	PLC	4	PLC
5	PLC	5	PLC	5	PLC
6	PLC	6	PLC	6	PLC
7	PLC	7	PLC	7	PLC
8	PLC	8	PLC	8	PLC

DATE	DESCRIPTION	DATE	APPD
08022012	NEW DRAWING	08022012	

REV	DESCRIPTION	DATE	APPD
1	NEW DRAWING	08022012	

REV	DESCRIPTION	DATE	APPD
1	NEW DRAWING	08022012	

REV	DESCRIPTION	DATE	APPD
1	NEW DRAWING	08022012	

REV	DESCRIPTION	DATE	APPD
1	NEW DRAWING	08022012	

REV	DESCRIPTION	DATE	APPD
1	NEW DRAWING	08022012	

REV	DESCRIPTION	DATE	APPD
1	NEW DRAWING	08022012	

REV	DESCRIPTION	DATE	APPD
1	NEW DRAWING	08022012	

REV	DESCRIPTION	DATE	APPD
1	NEW DRAWING	08022012	

REV	DESCRIPTION	DATE	APPD
1	NEW DRAWING	08022012	

REV	DESCRIPTION	DATE	APPD
1	NEW DRAWING	08022012	

REV	DESCRIPTION	DATE	APPD
1	NEW DRAWING	08022012	

REV	DESCRIPTION	DATE	APPD
1	NEW DRAWING	08022012	

REV	DESCRIPTION	DATE	APPD
1	NEW DRAWING	08022012	

REV	DESCRIPTION	DATE	APPD
1	NEW DRAWING	08022012	

REV	DESCRIPTION	DATE	APPD
1	NEW DRAWING	08022012	

REV	DESCRIPTION	DATE	APPD
1	NEW DRAWING	08022012	

REV	DESCRIPTION	DATE	APPD
1	NEW DRAWING	08022012	

REV	DESCRIPTION	DATE	APPD
1	NEW DRAWING	08022012	

REV	DESCRIPTION	DATE	APPD
1	NEW DRAWING	08022012	

REV	DESCRIPTION	DATE	APPD
1	NEW DRAWING	08022012	

REV	DESCRIPTION	DATE	APPD
1	NEW DRAWING	08022012	

REV	DESCRIPTION	DATE	APPD
1	NEW DRAWING	08022012	

REV	DESCRIPTION	DATE	APPD
1	NEW DRAWING	08022012	

REV	DESCRIPTION	DATE	APPD
1	NEW DRAWING	08022012	

REV	DESCRIPTION	DATE	APPD
1	NEW DRAWING	08022012	

REV	DESCRIPTION	DATE	APPD
1	NEW DRAWING	08022012	

REV	DESCRIPTION	DATE	APPD
1	NEW DRAWING	08022012	

REV	DESCRIPTION	DATE	APPD
1	NEW DRAWING	08022012	

REV	DESCRIPTION	DATE	APPD
1	NEW DRAWING	08022012	

REV	DESCRIPTION	DATE	APPD
1	NEW DRAWING	08022012	

REV	DESCRIPTION	DATE	APPD
1	NEW DRAWING	08022012	

REV	DESCRIPTION	DATE	APPD
1	NEW DRAWING	08022012	

REV	DESCRIPTION	DATE	APPD
1	NEW DRAWING	08022012	

REV	DESCRIPTION	DATE	APPD
1	NEW DRAWING	08022012	

REV	DESCRIPTION	DATE	APPD
1	NEW DRAWING	08022012	

REV	DESCRIPTION	DATE	APPD
1	NEW DRAWING	08022012	

REV	DESCRIPTION	DATE	APPD
1	NEW DRAWING	08022012	

REV	DESCRIPTION	DATE	APPD
1	NEW DRAWING	08022012	

REV	DESCRIPTION	DATE	APPD
1	NEW DRAWING	08022012	

REV	DESCRIPTION	DATE	APPD
1	NEW DRAWING	08022012	

REV	DESCRIPTION	DATE	APPD
1	NEW DRAWING	08022012	

REV	DESCRIPTION	DATE	APPD
1	NEW DRAWING	08022012	

REV	DESCRIPTION	DATE	APPD
1	NEW DRAWING	08022012	

REV	DESCRIPTION	DATE	APPD
1	NEW DRAWING	08022012	

REV	DESCRIPTION	DATE	APPD
1	NEW DRAWING	08022012	

REV	DESCRIPTION	DATE	APPD
1	NEW DRAWING	08022012	

REV	DESCRIPTION	DATE	APPD
1	NEW DRAWING	08022012	

REV	DESCRIPTION	DATE	APPD
1	NEW DRAWING	08022012	

REV	DESCRIPTION	DATE	APPD
1	NEW DRAWING	08022012	

REV	DESCRIPTION	DATE	APPD
1	NEW DRAWING	08022012	

REV	DESCRIPTION	DATE	APPD
1	NEW DRAWING	08022012	

REV	DESCRIPTION	DATE	APPD
1	NEW DRAWING	08022012	

REV	DESCRIPTION	DATE	APPD
1	NEW DRAWING	08022012	

X-ON Electronics

Largest Supplier of Electrical and Electronic Components

Click to view similar products for [Automotive Connectors](#) category:

Click to view products by [TE Connectivity](#) manufacturer:

Other Similar products are found below :

[003-018-000](#) [60403001](#) [60993906-B](#) [M902-2131](#) [M902-2161](#) [72.330.1035.1](#) [73.353.4028.0](#) [F119300-B](#) [F166900](#) [F258300-B](#) [F358300-B](#)
[F407400](#) [F444110](#) [F487000](#) [F509500B-B](#) [827153-1](#) [8N1515-32-24P](#) [9-1326729-8](#) [925474-1](#) [928905-1](#) [964562-4](#) [968782-1](#) [GT17SA-8DS-](#)
[HU](#) [98891-1012](#) [98947-1016](#) [12004147](#) [12004475-L](#) [12010290](#) [12010309-B](#) [12015454](#) [12020219-B](#) [12020308](#) [12041318-B](#) [12052225-L](#)
[12052466](#) [12059125](#) [12064869](#) [12004327-B](#) [12010503-B](#) [12015308](#) [12015384](#) [12015909](#) [1-21030-1](#) [12041254](#) [12041318](#) [12047946-B](#)
[12047957](#) [12047957-L](#) [12059473](#) [12066261](#)