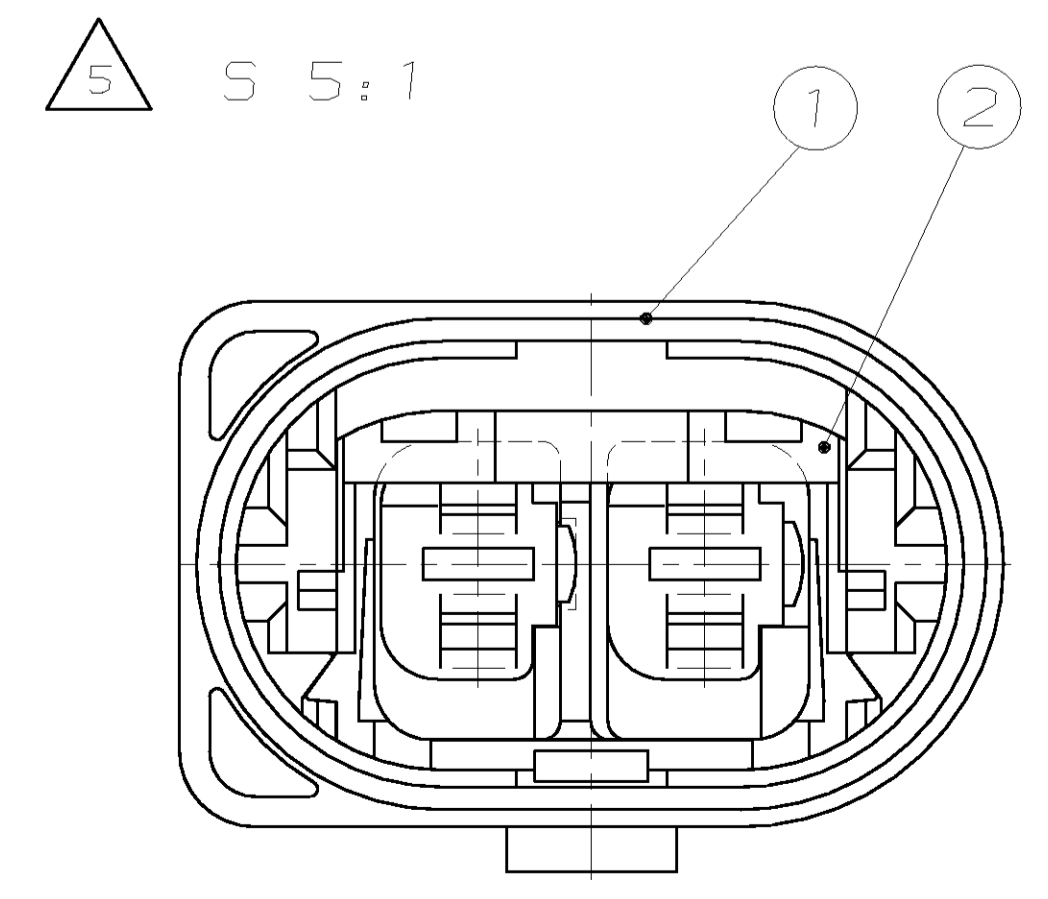
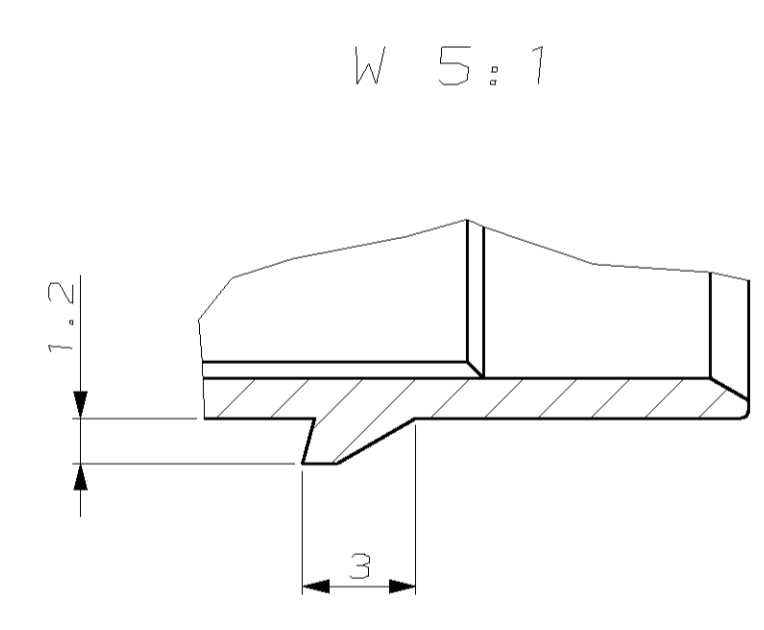
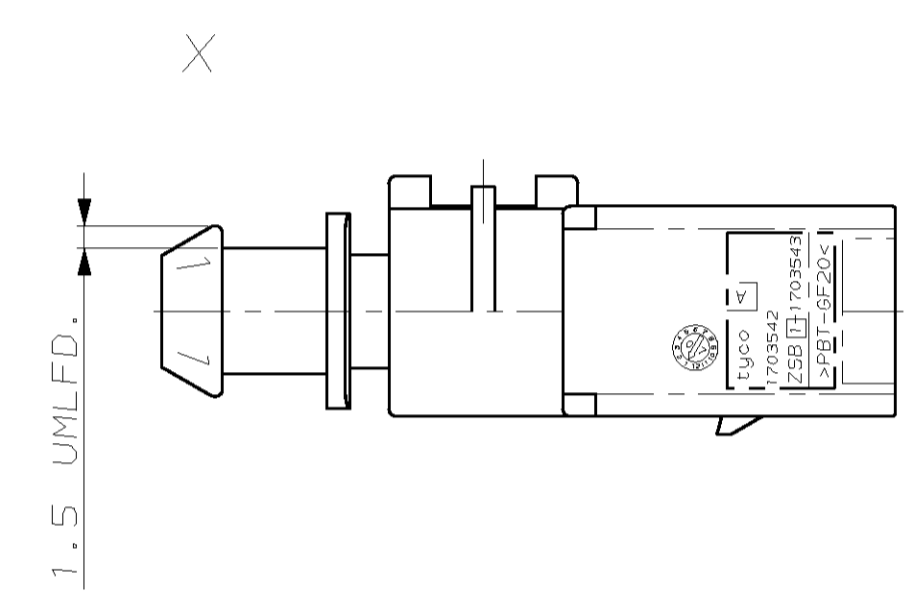
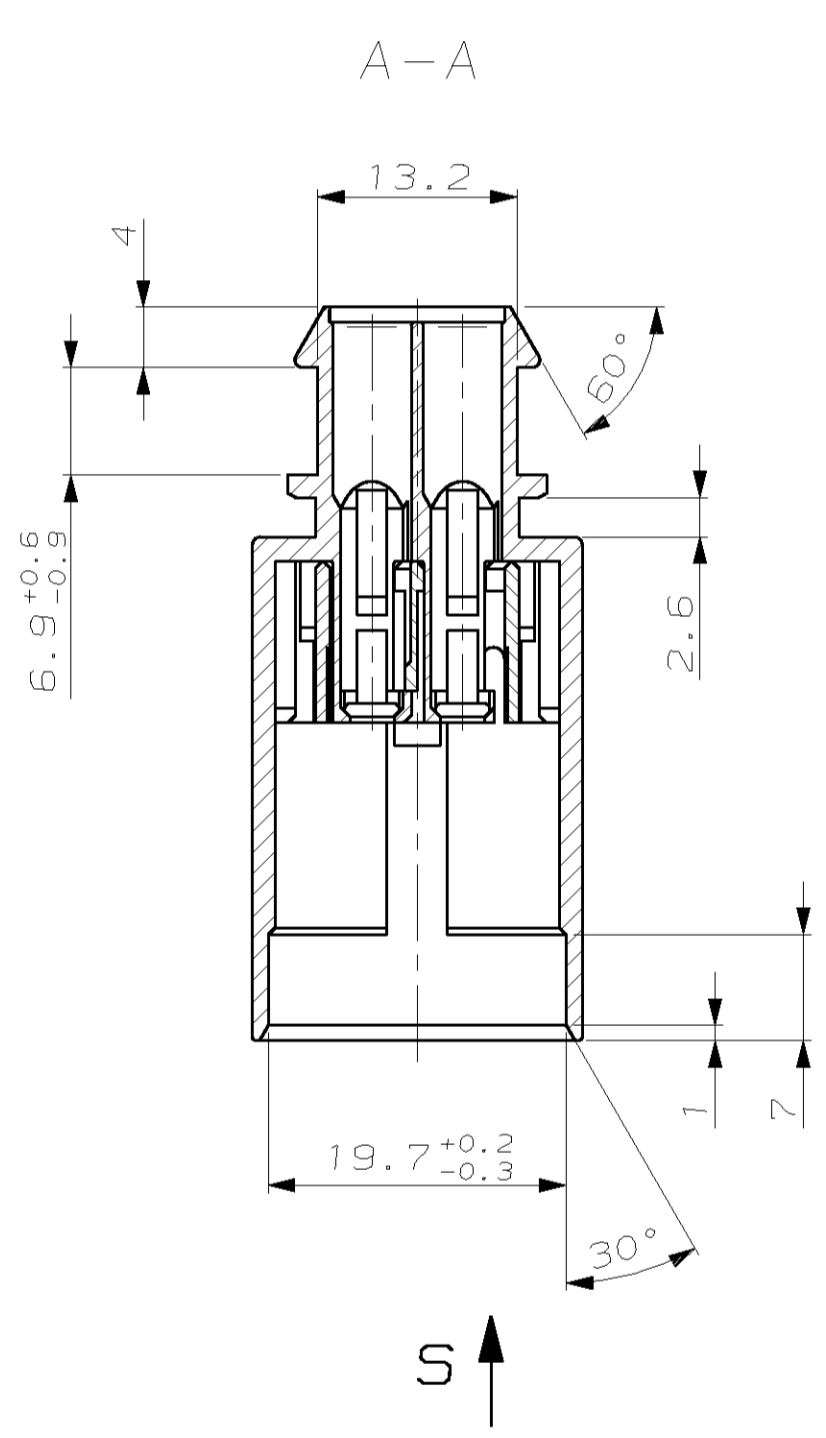
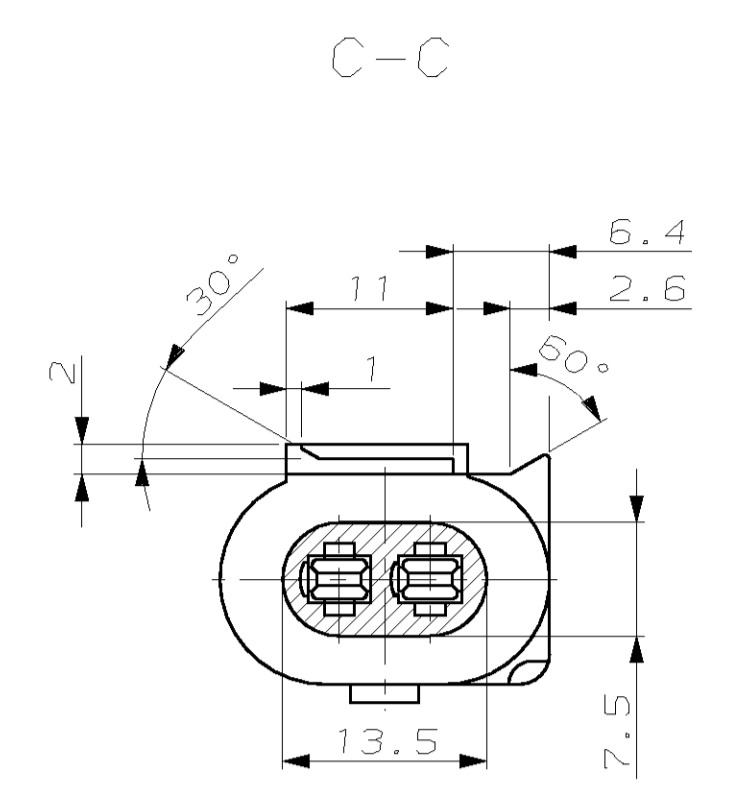
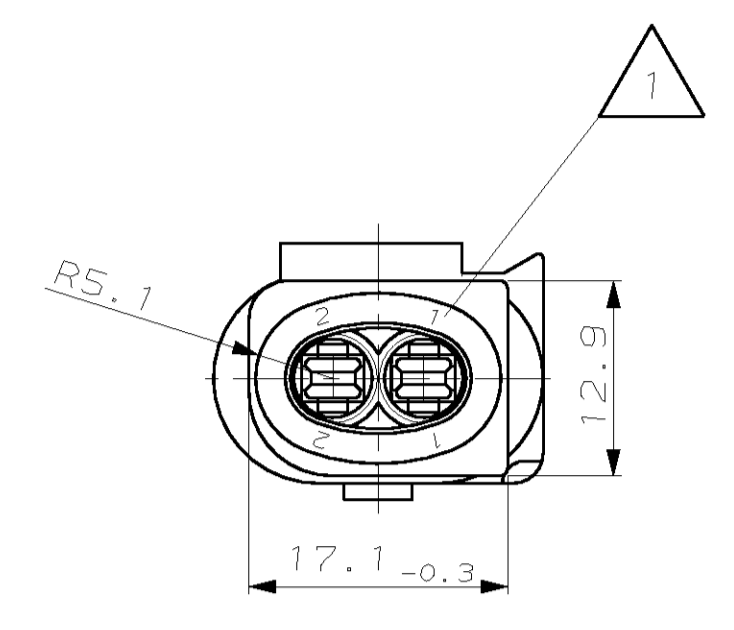
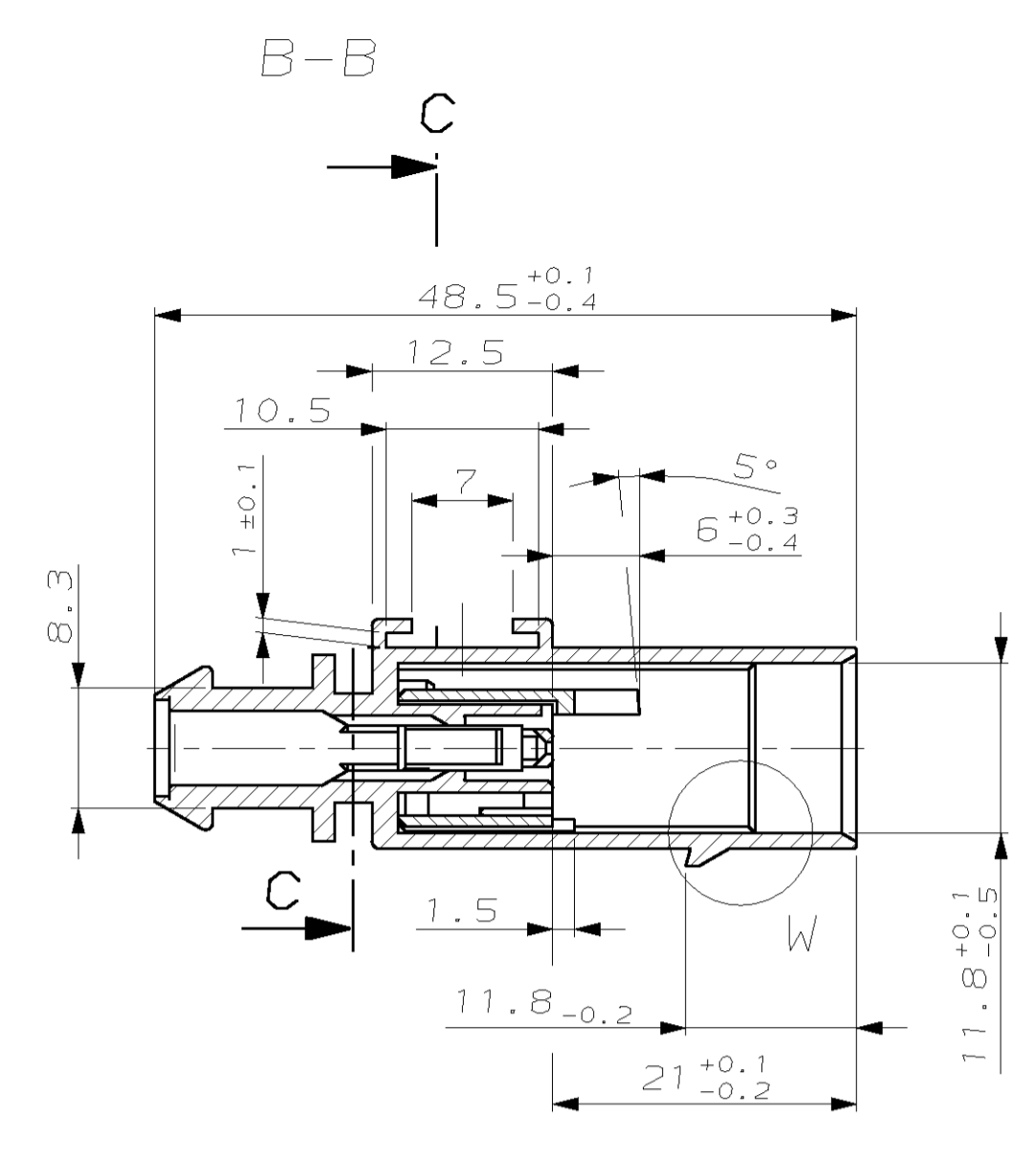
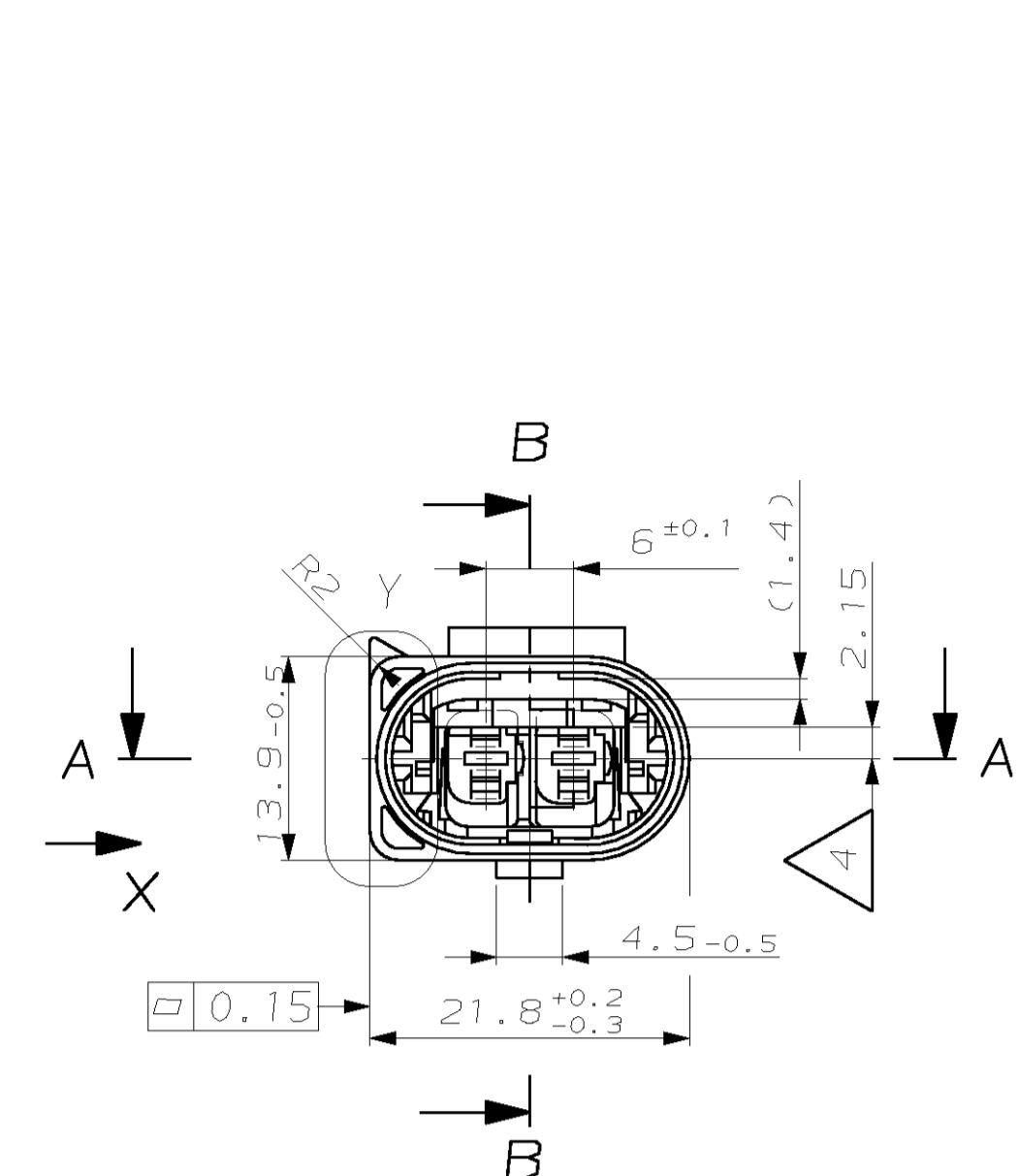


LOC	DIST	REV	YR	DESCRIPTION	DATE	DN	APVD
AI	-	A		ZEICHNUNG NEU ERSTELLT	19-MAR-07	Ueck.	-
		A1		1-1703543-0 1ST NEU	23-MAY-07	M. Zoyg	Thiel



BEMERKUNGEN
NOTES

1 KONTAKTKAMMERNUMMER
 CONTACT CAVITY NUMBER

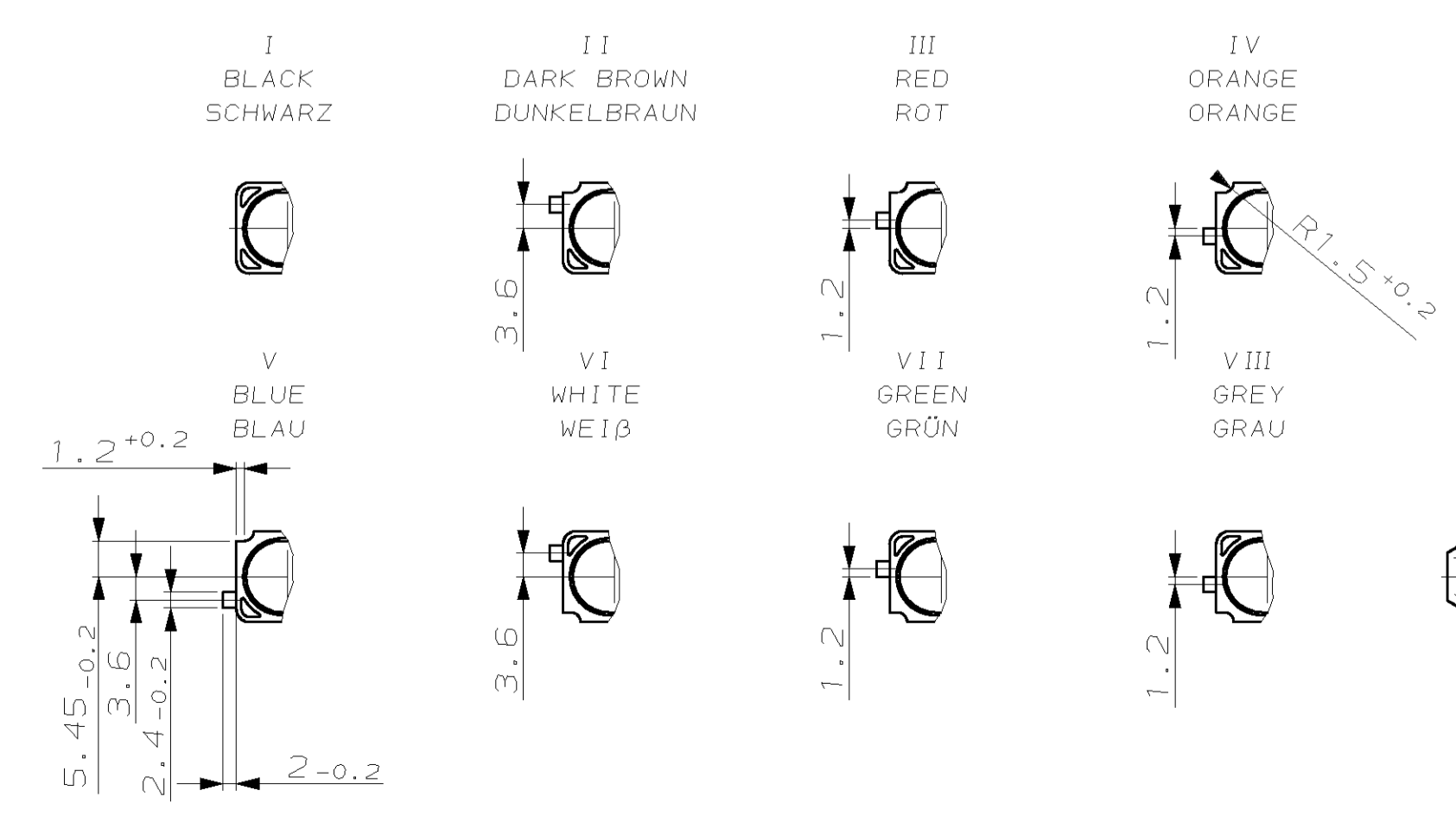
2 VERPACKT ALS SCHÜTTGUT
 BULK PACKAGED

3 DAS TEIL 1703543 WIRD Z.B. MIT DEM KONTAKT 2-964300-1 UND EINER EINZELADERDICHTUNG 963294-1 BESTÜCKT AUF DIE ENTSPRECHENDE SCHNITTSTELLE NACH 114-18131 GESTECKT
 THE PART NO. 1703543 ASSEMBLED FOR EXAMPLE WITH CONTACT 2-964300-1 AND A SEALING 963294-1 WILL HAVE A SUITABLE MATING PART ACC. TO 114-18131

LIEFERZUSTAND GEZEICHNET; VERRIEGELUNG IN VORRATSTELLUNG, NACH KONTAKTBESTUECKUNG IN DIESER RICHTUNG VERSCHIEBEN MIT WERKZEUG 2-1355149-1
 SHOWN AS SUPPLIED; RETAINER IN PRELOCKED POSITION, AFTER CONTACT LOADING TO SHIFT IN THIS DIRECTION WITH TOOL 2-1355149-1

5 GEHÄUSE OHNE EINSCHUB
 HOUSING WITHOUT SNAP-IN ATTACHMENT

Y 1:1 CODINGS KODIERUNGEN



COD	PART-NO	Tyco REV	ITEM NO	QTY	DESCRIPTION	MATERIAL	COLOR
VIII	2-1703543-8	A	2	1	RETAINER, ...	PBT-GF30	VIOLET
			1	1	2POS, TAB 2.8X0.8, TAB H5G...	PBT-GF20	GREY
VII	2-1703543-7	A	2	1	RETAINER, ...	PBT-GF30	VIOLET
			1	1	2POS, TAB 2.8X0.8, TAB H5G...	PBT-GF20	GREEN
VI	2-1703543-6	A	2	1	RETAINER, ...	PBT-GF30	VIOLET
			1	1	2POS, TAB 2.8X0.8, TAB H5G...	PBT-GF20	WHITE
V	2-1703543-5	A	2	1	RETAINER, ...	PBT-GF30	VIOLET
			1	1	2POS, TAB 2.8X0.8, TAB H5G...	PBT-GF20	BLUE
IV	2-1703543-4	A	2	1	RETAINER, ...	PBT-GF30	VIOLET
			1	1	2POS, TAB 2.8X0.8, TAB H5G...	PBT-GF20	ORANGE
III	2-1703543-3	A	2	1	RETAINER, ...	PBT-GF30	VIOLET
			1	1	2POS, TAB 2.8X0.8, TAB H5G...	PBT-GF20	RED
II	2-1703543-2	A	2	1	RETAINER, ...	PBT-GF30	VIOLET
			1	1	2POS, TAB 2.8X0.8, TAB H5G...	PBT-GF20	DARK BROWN
I	2-1703543-1	A	2	1	RETAINER, ...	PBT-GF30	VIOLET
			1	1	2POS, TAB 2.8X0.8, TAB H5G...	PBT-GF20	BLACK
VIII	1-1703543-8	A	2	1	RETAINER, ...	PBT-GF30	VIOLET
			1	1	2POS, TAB 2.8X0.8, TAB H5G...	PBT-GF20	GREY
VII	1-1703543-7	A	2	1	RETAINER, ...	PBT-GF30	VIOLET
			1	1	2POS, TAB 2.8X0.8, TAB H5G...	PBT-GF20	GREEN
VI	1-1703543-6	A	2	1	RETAINER, ...	PBT-GF30	VIOLET
			1	1	2POS, TAB 2.8X0.8, TAB H5G...	PBT-GF20	WHITE
V	1-1703543-5	A	2	1	RETAINER, ...	PBT-GF30	VIOLET
			1	1	2POS, TAB 2.8X0.8, TAB H5G...	PBT-GF20	BLUE
IV	1-1703543-4	A	2	1	RETAINER, ...	PBT-GF30	VIOLET
			1	1	2POS, TAB 2.8X0.8, TAB H5G...	PBT-GF20	ORANGE
III	1-1703543-3	A	2	1	RETAINER, ...	PBT-GF30	VIOLET
			1	1	2POS, TAB 2.8X0.8, TAB H5G...	PBT-GF20	RED
II	1-1703543-2	A	2	1	RETAINER, ...	PBT-GF30	VIOLET
			1	1	2POS, TAB 2.8X0.8, TAB H5G...	PBT-GF20	DARK BROWN
I	1-1703543-1	A	2	1	RETAINER, ...	PBT-GF30	VIOLET
			1	1	2POS, TAB 2.8X0.8, TAB H5G...	PBT-GF20	BLACK

THIS DRAWING IS UNCONTROLLED UNLESS THE DRAWING ENGINEER'S SIGNATURE AND DATE ARE PRESENT. IT IS SUBJECT TO CHANGE AND THE DRAWING ENGINEER'S SIGNATURE AND DATE ARE PRESENT. DIESES ZEICHNUNGSDOKUMENT WIRD NUR DURCH DIE ANGEKENDLICHEN VERÄNDERUNGEN, DIE DIE ZEICHNUNGSDRAWING ENGINEER'S SIGNATURE AND DATE ARE PRESENT. DIESES ZEICHNUNGSDOKUMENT WIRD NUR DURCH DIE ANGEKENDLICHEN VERÄNDERUNGEN, DIE DIE ZEICHNUNGSDRAWING ENGINEER'S SIGNATURE AND DATE ARE PRESENT.		DRAWN: M. Ueckermann 14-MAR-07 CHECKED: F. Thiel 14-MAR-07	
DIMENSIONS: TOLERANCES UNLESS OTHERWISE SPECIFIED, ALL IN MILLIMETERS. DIMENSIONEN: TOLERANZEN UNLESS OTHERWISE SPECIFIED, ALLES IN MILLIMETERN.		PRODUCT SPEC: 108-18181 APPLICATION SPEC: 14-18132	
MATERIAL: S. TAB.		WEIGHT: 7g CUSTOMER DRAWING: /KUNDENZEICHNUNG	
AMP 4805 REV 27/JUN/06		AMP tyco Electronics AMP GmbH D - 64625 Bensheim	
1703543-1, 1c (in EDP)		2POS, TAB 2.8X0.8, TAB H5G, ASSEMBLY 2POL., FL5 2.8X0.8, FL5 STECKERGEH., KOMPLETT	
13/57/53 ep029478		SIZE: A1 WEIGHT: 7g	
23-MAY-07		RESTRICTED TO: - DATE: 23-MAY-07	

X-ON Electronics

Largest Supplier of Electrical and Electronic Components

Click to view similar products for [Automotive Connectors](#) category:

Click to view products by [TE Connectivity](#) manufacturer:

Other Similar products are found below :

[003-018-000](#) [60403001](#) [60993906-B](#) [M902-2131](#) [M902-2161](#) [72.330.1035.1](#) [73.353.4028.0](#) [F119300-B](#) [F166900](#) [F258300-B](#) [F358300-B](#)
[F407400](#) [F444110](#) [F487000](#) [F509500B-B](#) [827153-1](#) [8N1515-32-24P](#) [9-1326729-8](#) [925474-1](#) [928905-1](#) [964562-4](#) [968782-1](#) [GT17SA-8DS-](#)
[HU](#) [98891-1012](#) [98947-1016](#) [12004147](#) [12004475-L](#) [12010290](#) [12010309-B](#) [12015454](#) [12020219-B](#) [12020308](#) [12041318-B](#) [12052225-L](#)
[12052466](#) [12059125](#) [12064869](#) [12004327-B](#) [12010503-B](#) [12015308](#) [12015384](#) [12015909](#) [1-21030-1](#) [12041254](#) [12041318](#) [12047946-B](#)
[12047957](#) [12047957-L](#) [12059473](#) [12066261](#)