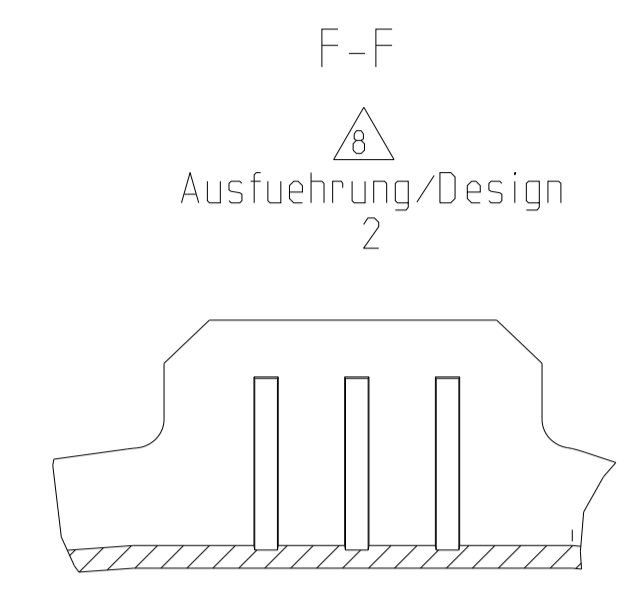
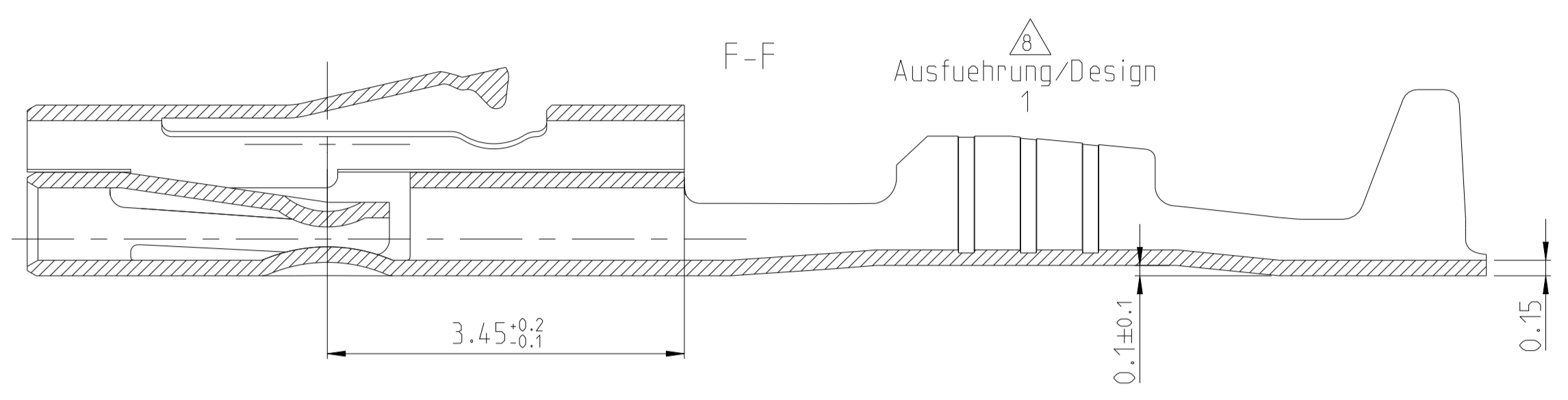
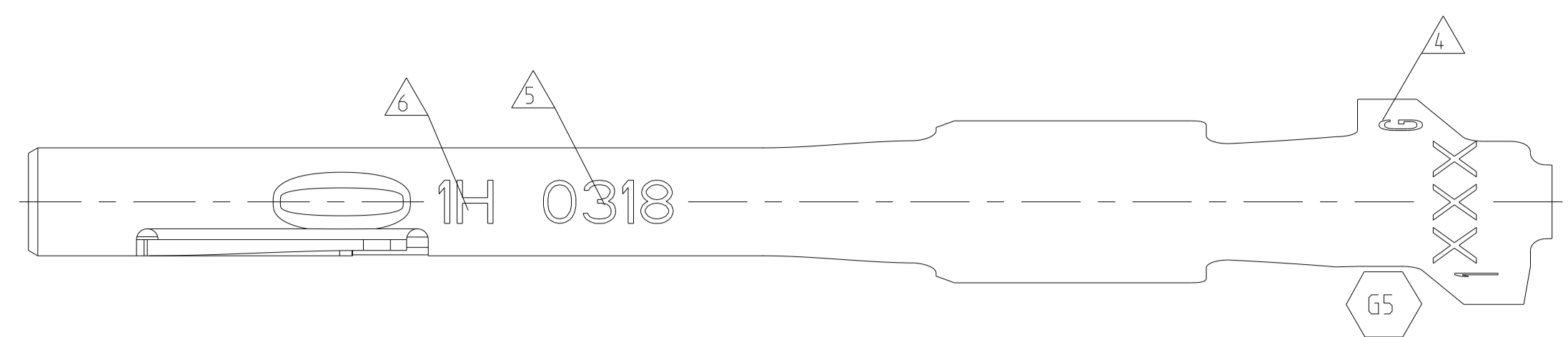
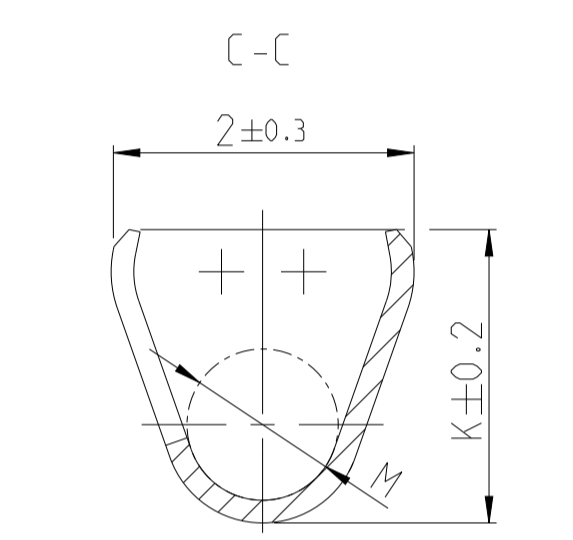
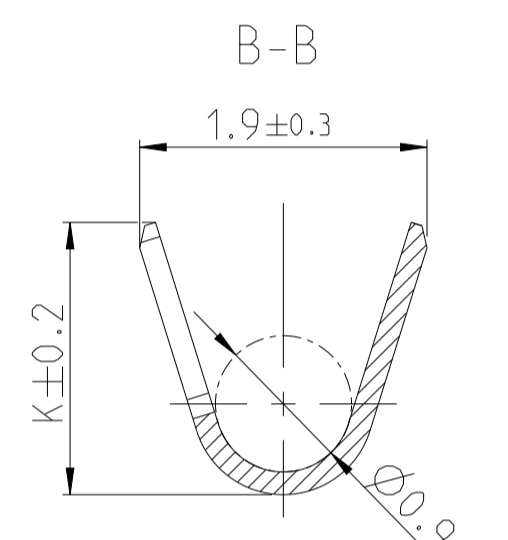
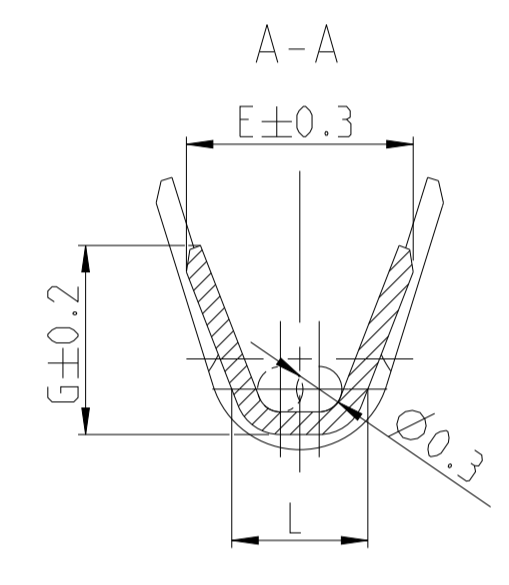
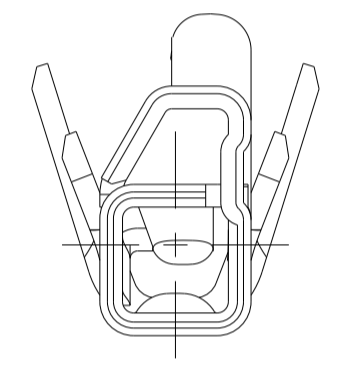
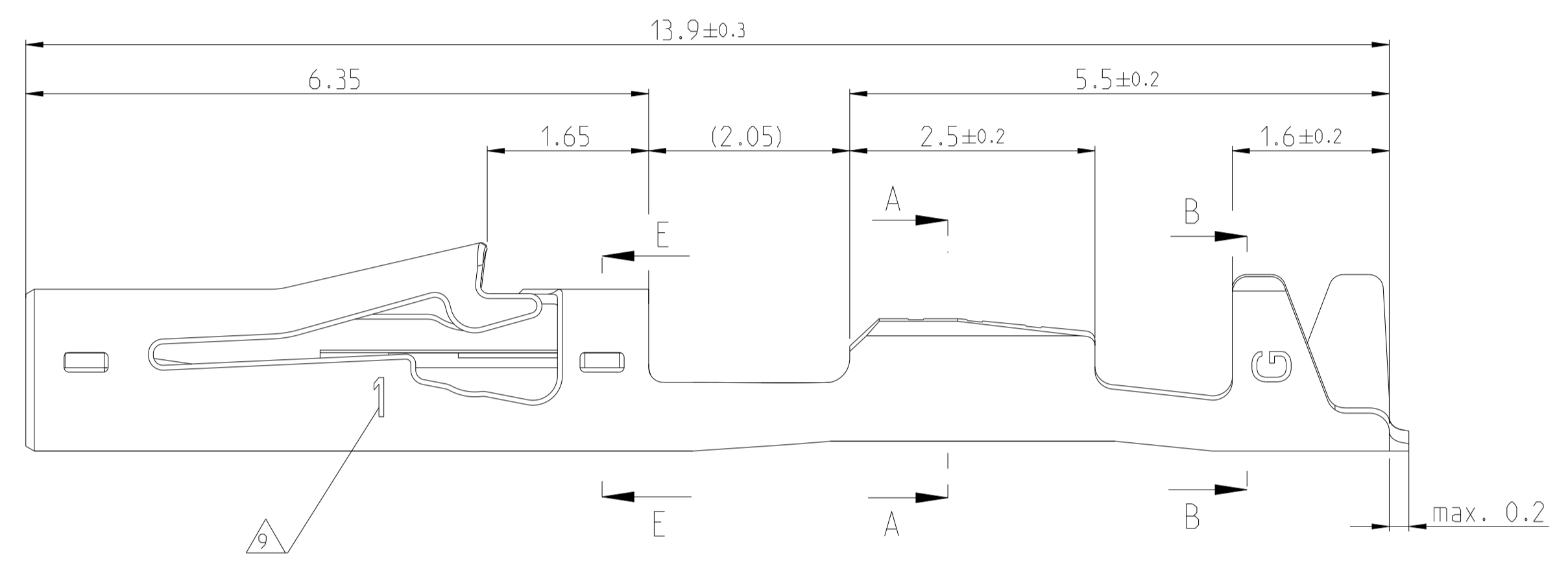
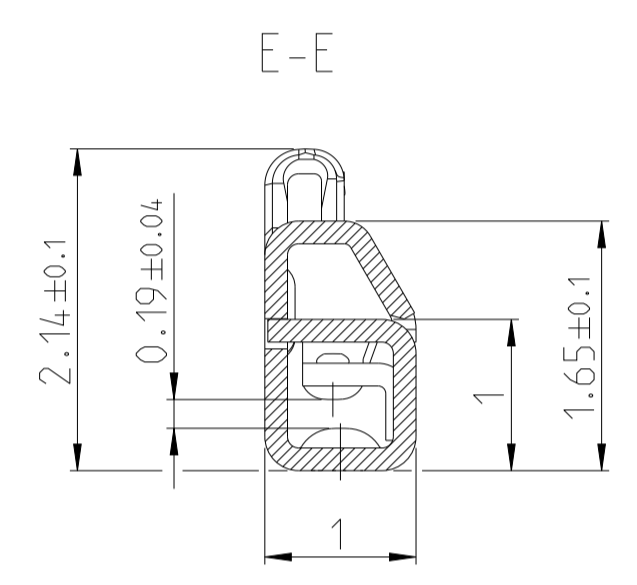


LOC	DIST	REV.	DATE	BY	CHK
A1	-	G2	04DEC2018	GLUE	LEIM
		G3	09JAN2019	MAH.	LEIM
		G4	03JUL2019	BREN	LEIM
		G5	07APR2021	FRAN	LEIM



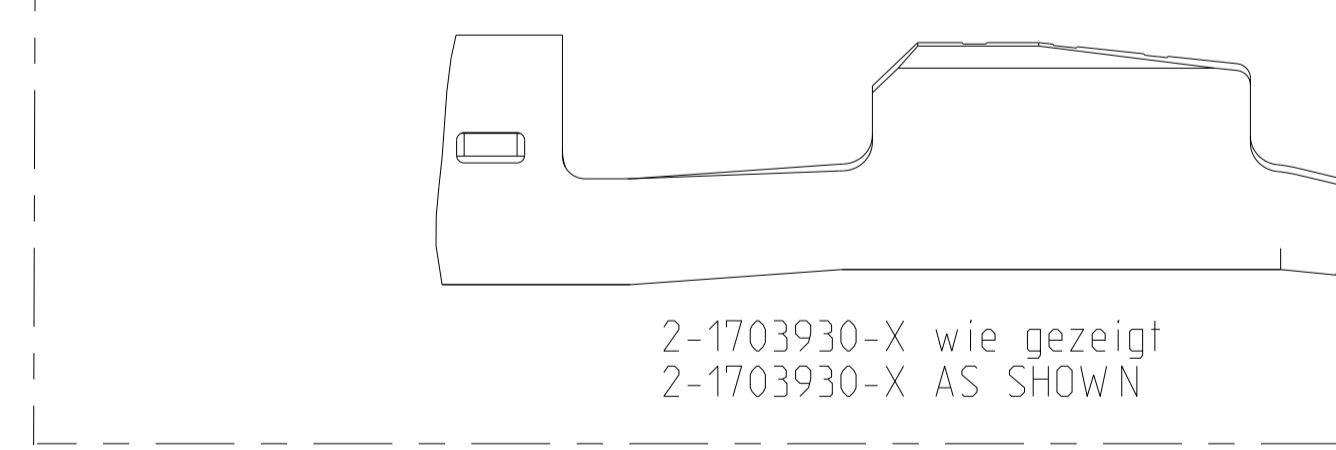
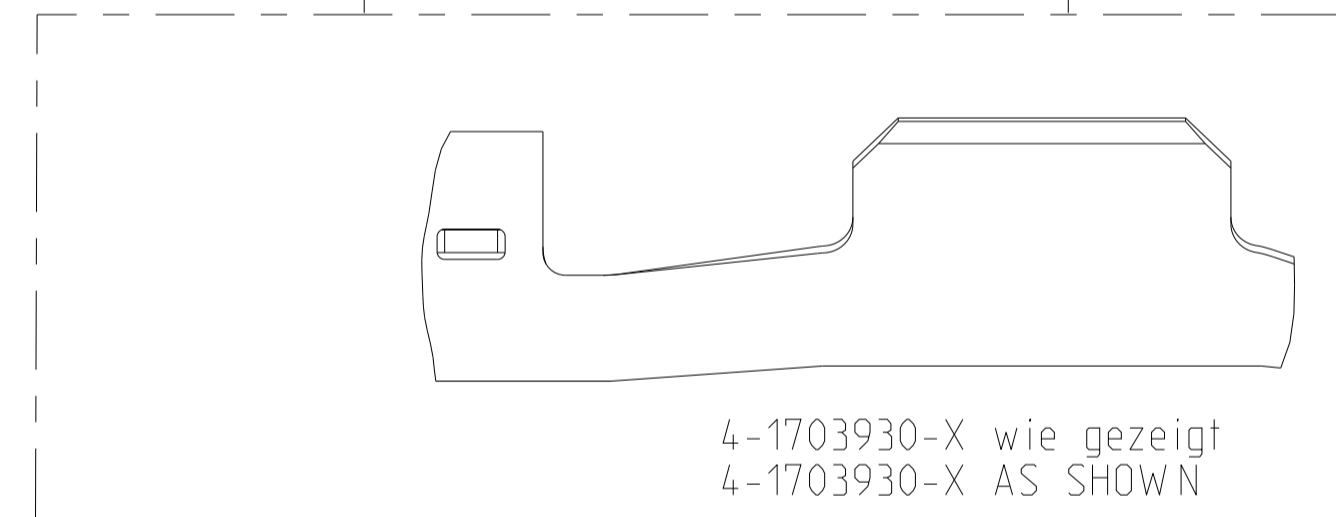
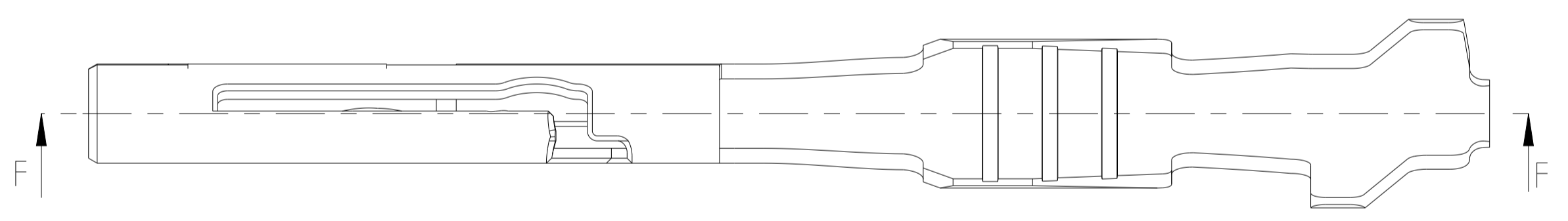
- Bemerkungen
NOTES
- 1 Massgebend ist der deutsche Text ONLY THE GERMAN LANGUAGE VERSION SHALL BE BINDING
 - 2 Einzelheiten der Ausführung bleiben dem Hersteller uebertlassen DETAILS OF DESIGN ARE LEFT TO MANUFACTURER
 - 3 Passend zu Kontaktstift: TE 114-94201 SUITABLE TO CONTACT-PIN.
 - 4 TE-Logo, Aenderungsstand TE-LOGO, REVISION STATUS
 - 5 Datumscode (Woche/Jahr) DATE-CODE (WEEK/YEAR)
 - 6 Variantenmarkierung VERSION MARKING
 - 7 Oberflaeche Kontaktbereich SURFACE CONTACT AREA
Sn = 0.8 ... 2.2 µm
Ag = 1.6 ... 5 µm
Au = min. 0.8 µm
 - 8 Rillenausfuehrung SERRATION DESIGN
 - 9 Spurenuordnung in Zweispurwerkzeugen TRACK ALLOCATION IN TWO TRACK DIES



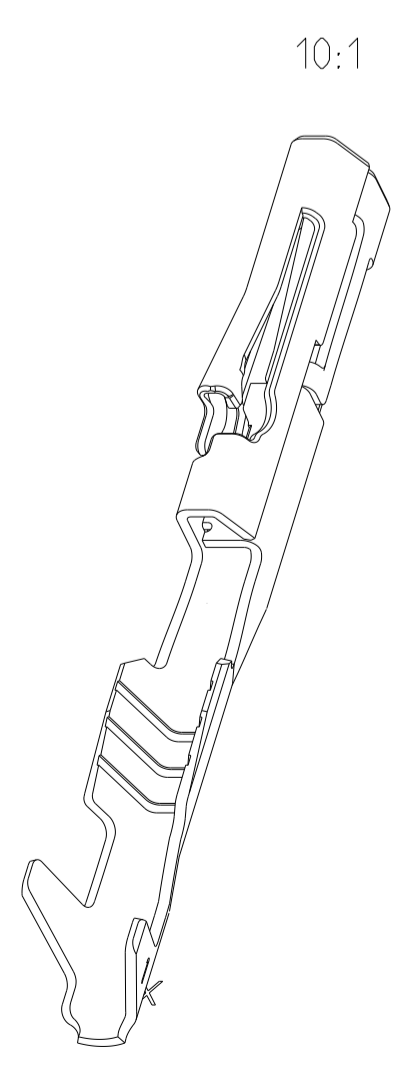
1-1703930-x und 2-1703930-x wie gezeigt
1-1703930-x AND 2-1703930-x AS SHOWN

4-1703930-x wie gezeigt
4-1703930-x AS SHOWN

1-1703930-X wie gezeigt
1-1703930-X AS SHOWN



Order No.	Design	Order No.	Design	Version	Marking	DGB Wire Size Range	Material	Surface	Weight	Wire Crimp	Insulation Crimp
-	-	4-1703930-4	A		4+		CuNiSi	Sn			
-	-	4-1703930-3	B	HIGH PERFORMANCE	4G	0.22...0.35	CuNiSi	Au		E = 1.6 G = 1.64 L = 0.85 M = Ø1	K = 1.93
-	-	4-1703930-2	A		4H		CuNiSi	Ag			
2-1703930-4	A	-	-		2+		CuNiSi	Sn			
2-1703930-3	A	-	-	HIGH PERFORMANCE	2G	0.22...0.35	CuNiSi	Au	0.08	E = 1.7 G = 1.5 L = 1.05	K = 1.9
2-1703930-2	G	-	-		2H		CuNiSi	Ag			
2-1703930-1	F	-	-	Standard	2		CuSn8	Sn			
1-1703930-2	F	-	-	HIGH PERFORMANCE	1H	0.13...0.17	CuNiSi	Ag		E = 1.5 G = 1.25 L = 0.9	K = 1.8
1-1703930-1	E	-	-	Standard	1		CuSn8	Sn			



Order No.	Design	Order No.	Design	Version	Marking	DGB Wire Size Range	Material	Surface	Weight	Wire Crimp	Insulation Crimp
Bestell-Nr.	Ausführung	Bestell-Nr.	Ausführung	REV.	VERSION	WIRE SIZE RANGE [mm ²]		OBERFLAECHE SURFACE	Gewicht WEIGHT [g]	Drahtcrimp WIRE CRIMP	Iso' crimp INSULATION CRIMP

THIS DRAWING IS A CONTROLLED DOCUMENT. DIESES ZEICHNUNGSDOKUMENT IST EIN KONTROLLIERTES DOKUMENT. ANSPRUCHAUF DIESE ZEICHNUNG VERBODEN. VERBODEN IS TO USE THIS DRAWING FOR REPRODUCTION OR FOR ANY OTHER PURPOSE WITHOUT THE WRITTEN PERMISSION OF THE MANUFACTURER.

DATE: 04SEP2007
CHK: C. Boemmel
APVD: J. Jetter
PRODUCT SPEC: 108-94099
APPLICATION SPEC: 114-10858

NAME: NanoMQS Buchsenkontakt SOCKET CONTACT
SIZE: A1
SCALE: 20:1
SHEET: 1 OF 1
REV: G5

Customer Drawing

X-ON Electronics

Largest Supplier of Electrical and Electronic Components

Click to view similar products for [Automotive Connectors](#) category:

Click to view products by [TE Connectivity](#) manufacturer:

Other Similar products are found below :

[003-018-000](#) [60403001](#) [60993906-B](#) [M902-2131](#) [M902-2161](#) [M902-2344](#) [72.330.1035.1](#) [73.353.4028.0](#) [F119300-B](#) [F166900](#) [F258300-B](#)
[F358300-B](#) [F407400](#) [F444110](#) [F487000](#) [F509500B-B](#) [827153-1](#) [8N1515-32-24P](#) [9-1326729-8](#) [925474-1](#) [928905-1](#) [964562-4](#) [968782-1](#)
[GT17SA-8DS-HU](#) [98891-1012](#) [98947-1016](#) [12004147](#) [12004475-L](#) [12010290](#) [12010309-B](#) [12015454](#) [12020219-B](#) [12041318-B](#) [12052225-](#)
[L](#) [12052466](#) [12064869](#) [12004327-B](#) [12015308](#) [12015384](#) [12015909](#) [1-21030-1](#) [12041254](#) [12041318](#) [12047946-B](#) [12047957](#) [12047957-L](#)
[12059473](#) [12066261](#) [12110546](#) [12110546-B](#)