

THIS DRAWING IS UNPUBLISHED. RELEASED FOR PUBLICATION
 © COPYRIGHT - By - ALL RIGHTS RESERVED.


LOC	DIST	REVISIONS 変更					
		P	LTR	DESCRIPTION	DATE	DWN	APVD
J	-		H3	REVISED PER ECO-11-005030	30MAR11	RK	HMR
			H4	REVISED PER ECR-18-002978	02JUL2021	BDA	AA

△1	OBSOLETE	215032-1	2-170823-9	SEE 7 OF 13
		246225	2-170823-8	SEE 2 OF 13
△1	OBSOLETE	238035-3	2-170823-7	SEE 10 OF 13
	OBSOLETE	235818	2-170823-5	SEE 12 OF 13
	OBSOLETE	234018-4	2-170823-4	SEE 13 OF 13
	OBSOLETE	234025-1	2-170823-3	
	△1 OBSOLETE	234030-1	2-170823-2	SEE 10 OF 13
		230032-1	2-170823-1	
		238035-2	2-170823-0	
		238035-1	1-170823-9	SEE 10 OF 13
		238032-1	1-170823-8	
△1	OBSOLETE	238020-1	1-170823-7	
		238038	1-170823-6	SEE 12 OF 13
		238035	1-170823-5	
		235825-1	1-170823-4	
		235822	1-170823-3	SEE 13 OF 13
		234018-2	1-170823-2	
		234018-1	1-170823-1	
		234030	1-170823-0	
		234018	170823-9	SEE 10 OF 13
		234016	170823-8	
△1	OBSOLETE	238060	170823-7	
		238048	170823-6	
		238032	170823-4	SEE 10 OF 13
		238020	170823-3	
		238025	170823-2	
		234025	170823-1	SEE 13 OF 13
		SHINAGAWA SHOKO PN	PN	REMARK

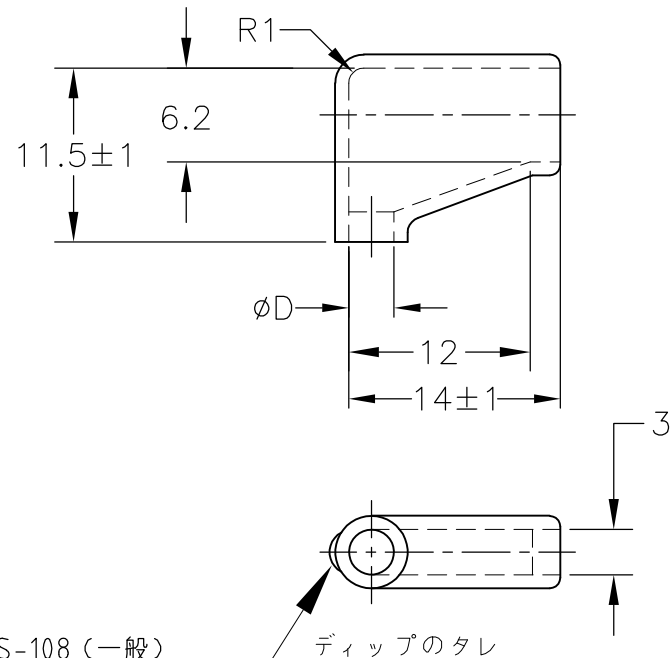
		24623204	5-170823-8	SEE 2 OF 13
		248550	5-170823-7	SEE 3 OF 13
		246230	5-170823-6	SEE 2 OF 13
	△1 OBSOLETE	234025-4	5-170823-4	SEE 13 OF 13
		234028	5-170823-3	
		224222	5-170823-1	SEE 8 OF 13
△1	OBSOLETE	246232-1	5-170823-0	SEE 2 OF 13
		238040	4-170823-9	SEE 10 OF 13
		238025-2	4-170823-8	
		238025-1	4-170823-7	
△1	OBSOLETE	234025-3	4-170823-6	SEE 13 OF 13
		234025-2	4-170823-5	
		248525	4-170823-4	SEE 3 OF 13
△1	OBSOLETE	215025W	4-170823-3	SEE 6 OF 13
		236525W	4-170823-2	SEE 5 OF 13
		236525	4-170823-1	SEE 11 OF 13
		234025W	4-170823-0	SEE 5 OF 13
		246232	3-170823-8	SEE 2 OF 13
		230025W	3-170823-7	SEE 4 OF 13
		238025W	3-170823-6	SEE 5 OF 13
	△1 OBSOLETE	215028	3-170823-5	SEE 7 OF 13
		224228	3-170823-4	SEE 8 OF 13
		215032W	3-170823-3	SEE 6 OF 13
		238032-3	3-170823-2	SEE 10 OF 13
		238032-2	3-170823-1	
		SHINAGAWA SHOKO PN	PN	REMARK

X-170892-X	SEE 170892
X-170893-X	SEE 170893
X-170887-X	SEE 170887
X-170889-X	SEE 170889
X-170888-X	SEE 170888
X-170890-X	SEE 170890
X-170891-X	SEE 170891
PN	REMARK

△1 OBSOLETE PARTS: OBSOLETE CIS STREAMLINING PER D.RENAUD/D.SINISI

THIS DRAWING IS A CONTROLLED DOCUMENT.		DWN A. YAMAGUCHI 31AUG00	 TE Connectivity			
DIMENSIONS: 単位: 耗 mm		CHK D. MATSUURA 31AUG00				
TOLERANCES UNLESS OTHERWISE SPECIFIED: 一般公差		APVD K. BETSUI 31AUG00	NAME 名称			
0 PLC ± - 1 PLC ± - 2 PLC ± - 3 PLC ± - 4 PLC ± - ANGLES ± -		PRODUCT SPEC 製品規格	INSULATION SLEEVE			
MATERIAL 材料		APPLICATION SPEC 取付適用規格	SIZE A3	CAGE CODE 00779	DRAWING NO 番号 G-170823	RESTRICTED TO 番号
		WEIGHT	SCALE 尺度 1:1		SHEET 1 OF 13	REV H4
		CUSTOMER DRAWING				

LOC	DIST	REVISIONS					
		P	LTR	DESCRIPTION	DATE	DWN	APVD
J	—			SEE SHEET 1	—	—	—



- 1. 材質：SS-108（一般）
- 2. 一般公差：±0.5
- 3. 適用製品規格は無し
- ⚠ 品川商工発行のカタログと本図で寸法が異なる場合は本図を優先する。
- 5. この製品の名称は旗型コネクタスリーブ187シリーズ

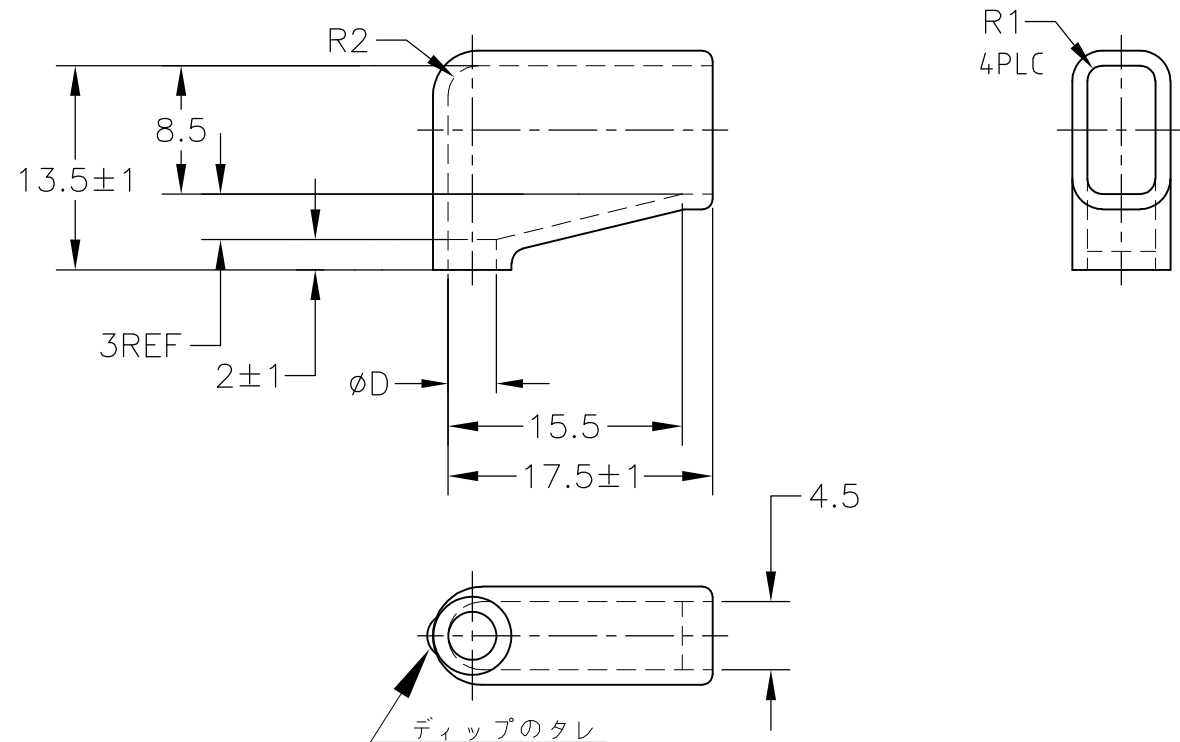
- 1. MATERIAL:SS-108(GENERAL)
- 2. GENERAL TOLERANCE: ±0.5
- 3. APPLICABLE PRODUCT SPEC NOT AVAILABLE
- ⚠ IN THE EVENT OF CONFLICT BETWEEN THE REQUIREMENTS OF THIS CUSTOMER DRAWING AND THE SHINAGAWA SHOKO CO LTD CATALOG THIS CUSTOMER DRAWING SHALL TAKE PRECEDENCE
- 5. THIS PRODUCT NAME FLAG TYPE CONNECT SLEEVE FOR 187 SERIES
- ⚠ OBSOLETE PARTS: OBSOLETE CIS STREAMLINING PER D.RENAUD/D.SINISI

⚠ OBSOLETE	BLACK		3.2	24623204	5-170823-8
	CLEAR	1 ^{+0.3} _{-0.2}	3	246230	5-170823-6
			3.2	246232-1	5-170823-0
			3.2	246232	3-170823-8
		2.5	246225	2-170823-8	
COLOR	THICKNESS	φD	⚠ SHINAGAWA SHOKO PN PART NUMBER		

THIS DRAWING IS UNPUBLISHED. ALL RIGHTS RESERVED.

DIMENSIONS: 単位： 耗 mm	DWN	31AUG00	MATERIAL	FINISH	
	A. YAMAGUCHI		材料	仕上	
TOLERANCES UNLESS OTHERWISE SPECIFIED: 一般公差	CHK	31AUG00			
	D. MATSUURA				
0 PLC ± - 1 PLC ± - 2 PLC ± - 3 PLC ± - 4 PLC ± - ANGLES ± -	APVD	31AUG00	NAME		
	K. BETSUI		INSULATION SLEEVE		
	PRODUCT SPEC		SIZE	CAGE CODE	DRAWING NO
	製品規格		A4	00779	C-170823
APPLICATION SPEC		RESTRICTED TO			
取付適用規格					
WEIGHT					
CUSTOMER DRAWING	SCALE		SHEET		REV
	尺度 2:1		2 OF 13		H4

LOC	DIST	REVISIONS 変更					
J	—	P	LTR	DESCRIPTION	DATE	DWN	APVD
				SEE SHEET 1			



- 1. 材質：SS-108（一般）
- 2. 一般公差：±0.5
- 3. 適用製品規格は無し
- △ 品川商工発行のカタログと本図で寸法が異なる場合は本図を優先する。
- 5. この製品の名称は旗型コネクタスリーブ250シリーズ

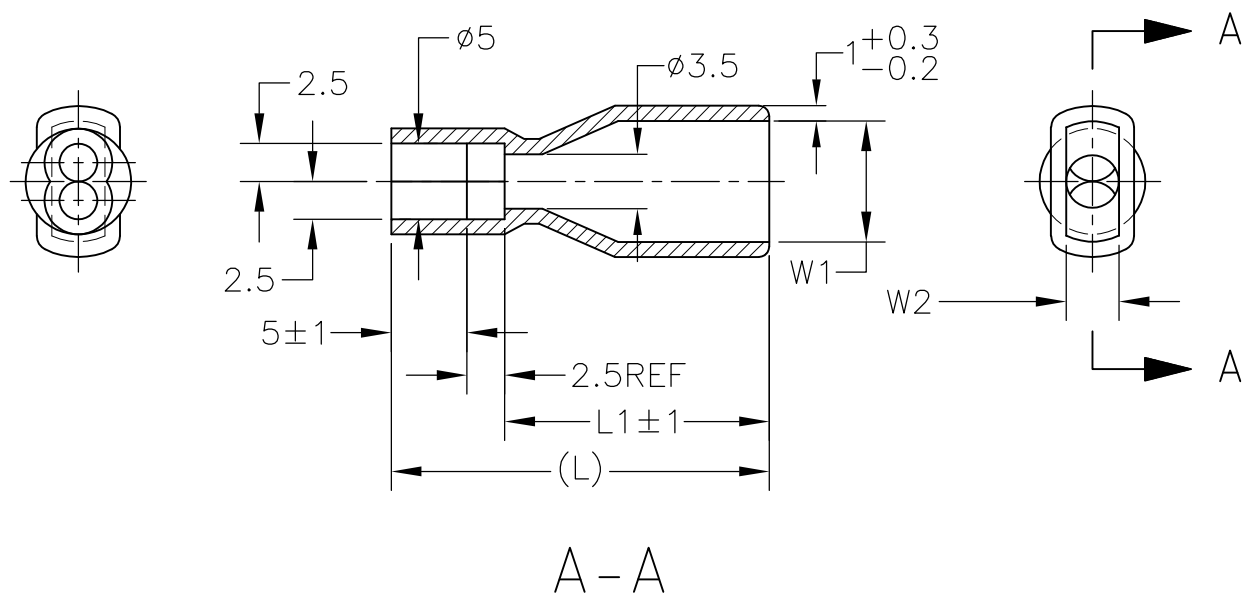
- 1. MATERIAL:SS-108(GENERAL)
- 2. GENERAL TOLERANCE: ±0.5
- 3. APPLICABLE PRODUCT SPEC NOT AVAILABLE
- △ IN THE EVENT OF CONFLICT BETWEEN THE REQUIREMENTS OF THIS CUSTOMER DRAWING AND THE SHINAGAWA SHOKO CO LTD CATALOG THIS CUSTOMER DRAWING SHALL TAKE PRECEDENCE
- 5. THIS PRODUCT NAME FLAG TYPE CONNECT SLEEVE FOR 250 SERIES
- △ OBSOLETE PARTS: OBSOLETE CIS STREAMLINING PER D.RENAUD/D.SINISI

△ 6	OBSOLETE	CLEAR	1±0.3	5	248550	5-170823-7
	OBSOLETE			2.5	248525	4-170823-4
		COLOR	THICKNESS	φD	△ SHINAGAWA SHOKO PN	PART NUMBER

THIS DRAWING IS UNPUBLISHED. ALL RIGHTS RESERVED. © COPYRIGHT - By -

DIMENSIONS: 単位：耗 mm	DWN	31AUG00	MATERIAL	FINISH		
	A. YAMAGUCHI		材料	仕上		
TOLERANCES UNLESS OTHERWISE SPECIFIED: 一般公差	CHK	31AUG00	TE TE Connectivity			
	D. MATSUURA					
0 PLC ± - 1 PLC ± - 2 PLC ± - 3 PLC ± - 4 PLC ± - ANGLES ± -	APVD	31AUG00	NAME			
	K. BETSUI		INSULATION SLEEVE			
WEIGHT	PRODUCT SPEC		SIZE	CAGE CODE	DRAWING NO	RESTRICTED TO
	製品規格		A4	00779	C-170823	
APPLICATION SPEC			SCALE		SHEET	REV
取付適用規格			尺度 2:1		3 OF 13	H4
CUSTOMER DRAWING						

LOC	DIST	REVISIONS					
J	—	P	LTR	DESCRIPTION	DATE	DWN	APVD
			—	SEE SHEET 1	—	—	—



1. 材質：SS-108（一般）
2. 一般公差：±0.5
3. 適用製品規格は無し
- △ 品川商工発行のカタログと本図で寸法が異なる場合は本図を優先する。
5. この製品の名称はコネクタスリーブ AMP00シリーズ

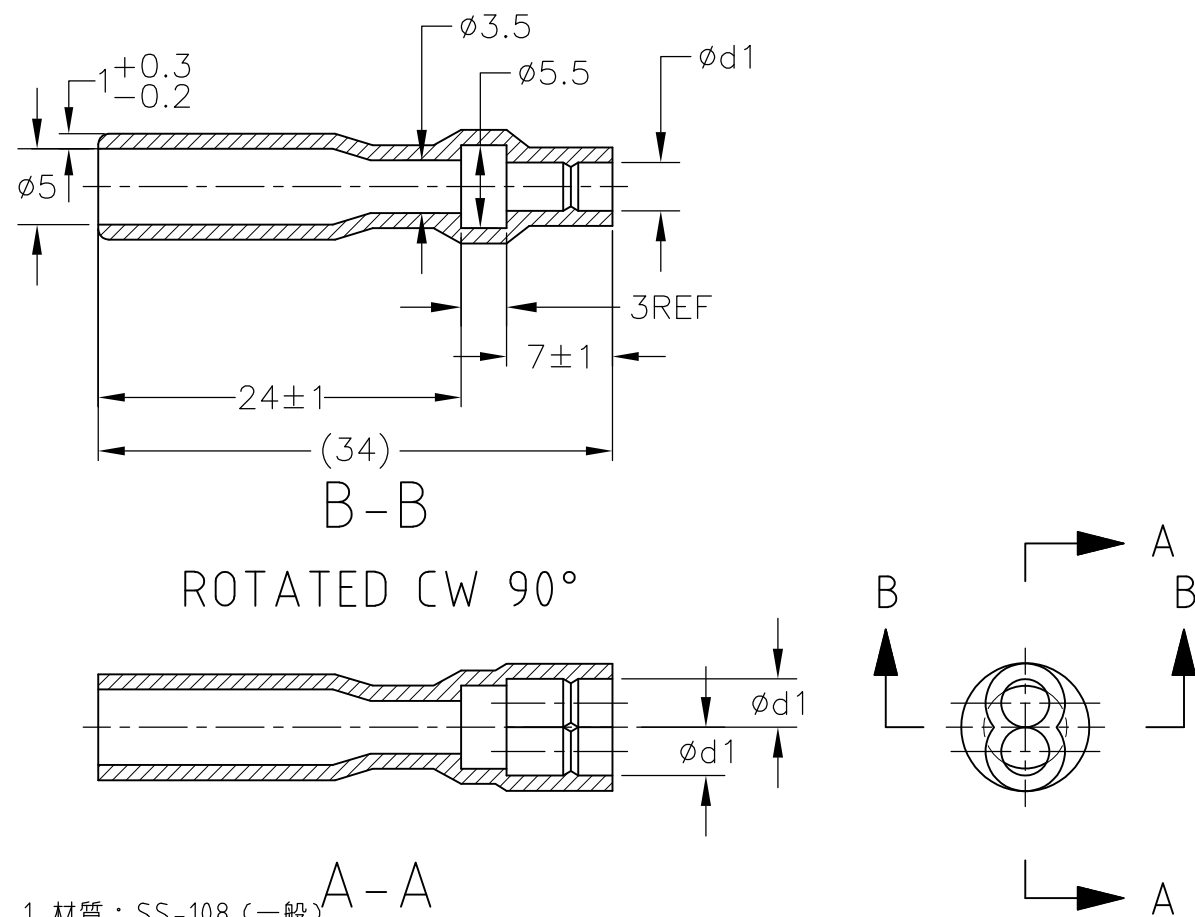
1. MATERIAL:SS-108(GENERAL)
2. GENERAL TOLERANCE: ±0.5
3. APPLICABLE PRODUCT SPEC NOT AVAILABLE
- △ IN THE EVENT OF CONFLICT BETWEEN THE REQUIREMENTS OF THIS CUSTOMER DRAWING AND THE SHINAGAWA SHOKO CO LTD CATALOG THIS CUSTOMER DRAWING SHALL TAKE PRECEDENCE
5. THIS PRODUCT NAME FLAG TYPE CONNECT SLEEVE AMP00 SERIES

OBSOLETE	CLEAR	23	15.5	3	6.5	236525W	4-170823-2
OBSOLETE		21	13.5		4	234025W	4-170823-0
OBSOLETE		25	17.5	3.5	8	238025W	3-170823-6
	COLOR	L	L1	W2	W1	△ SHINAGAWA SHOKO PN	PART NUMBER

THIS DRAWING IS UNPUBLISHED. ALL RIGHTS RESERVED. © COPYRIGHT By

DIMENSIONS: 単位：耗 mm	DWN	31AUG00	MATERIAL	FINISH
	A. YAMAGUCHI		材料	仕上
TOLERANCES UNLESS OTHERWISE SPECIFIED: 一般公差	CHK	31AUG00	TE TE Connectivity	
	D. MATSUURA			
0 PLC ± - 1 PLC ± - 2 PLC ± - 3 PLC ± - 4 PLC ± - ANGLES ± -	APVD	31AUG00	NAME 名称	
	K. BETSUI		INSULATION SLEEVE	
	PRODUCT SPEC		SIZE	CAGE CODE
	製品規格		A4	00779
	APPLICATION SPEC		DRAWING NO	RESTRICTED TO
	取付適用規格		番号	—
	WEIGHT		C-170823	
	CUSTOMER DRAWING		SCALE 尺度	SHEET
			2:1	5 OF 13
			REV	H4

LOC	DIST	REVISIONS 変更					
J	—	P	LTR	DESCRIPTION	DATE	DWN	APVD
		—		SEE SHEET 1	—	—	—



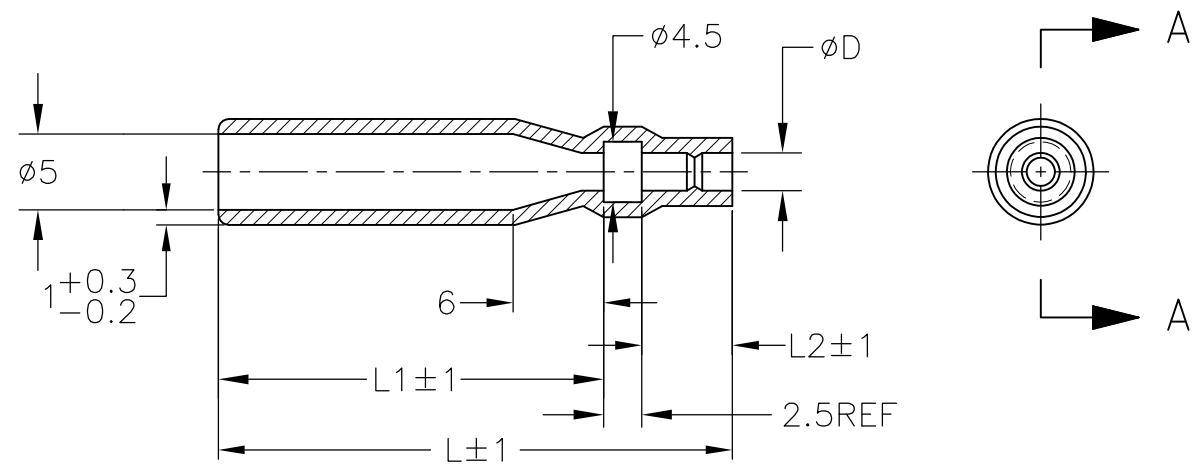
1. 材質：SS-108 (一般)
 2. 一般公差： ± 0.5
 3. 適用製品規格は無し
 4. 品川商工発行のカタログと本図で寸法が異なる場合は本図を優先する。
 5. この製品の名称はコネクタスリーブ 5DIAシリーズシュワープラグ リセプタクル
1. MATERIAL:SS-108(GENERAL)
 2. GENERAL TOLERANCE: ± 0.5
 3. APPLICABLE PRODUCT SPEC NOT AVAILABLE
 4. IN THE EVENT OF CONFLICT BETWEEN THE REQUIREMENTS OF THIS CUSTOMER DRAWING AND THE SHINAGAWA SHOKO CO LTD CATALOG THIS CUSTOMER DRAWING SHALL TAKE PRECEDENCE
 5. THIS PRODUCT NAME : CONNECT SLEEVE 5DIA SERIES SHUR PLUG RECEPTACLE
 6. OBSOLETE PARTS: OBSOLETE CIS STREAMLINING PER D.RENAUD/D.SINISI

6 OBSOLETE	CLEAR	2.5	215025W	4-170823-3
		3.2	215032W	3-170823-3
	COLOR	$\phi d1$	SHINAGAWA SHOKO PN	PART NUMBER

THIS DRAWING IS UNPUBLISHED. ALL RIGHTS RESERVED.

DIMENSIONS: 単位：耗 mm	DWN	31AUG00	MATERIAL	FINISH
	A. YAMAGUCHI		材料	仕上
TOLERANCES UNLESS OTHERWISE SPECIFIED: 一般公差	CHK	31AUG00		
	D. MATSUURA			
0 PLC $\pm -$ 1 PLC $\pm -$ 2 PLC $\pm -$ 3 PLC $\pm -$ 4 PLC $\pm -$ ANGLES $\pm -$	APVD	31AUG00	NAME 名称	
	K. BETSUI		INSULATION SLEEVE	
	PRODUCT SPEC 製品規格		SIZE	CAGE CODE
	APPLICATION SPEC 取付適用規格		A4	00779
	WEIGHT		DRAWING NO 番号	RESTRICTED TO
			C-170823	—
CUSTOMER DRAWING		SCALE 尺度	SHEET	REV
		2:1	6 OF 13	H4

LOC	DIST	REVISIONS 変更					
J	—	P	LTR	DESCRIPTION	DATE	DWN	APVD
		—		SEE SHEET 1	—	—	—



A-A

1. 材質：SS-108（一般）
2. 一般公差：±0.5
3. 適用製品規格は無し
- △ 品川商工発行のカタログと本図で寸法が異なる場合は本図を優先する。
5. この製品の名称はコネクタスリーブ 5DIA シリーズ シュフープラグリセプタクル

1. MATERIAL:SS-108(GENERAL)
2. GENERAL TOLERANCE: ±0.5
3. APPLICABLE PRODUCT SPEC NOT AVAILABLE
- △ IN THE EVENT OF CONFLICT BETWEEN THE REQUIREMENTS OF THIS CUSTOMER DRAWING AND THE SHINAGAWA SHOKO CO LTD CATALOG THIS CUSTOMER DRAWING SHALL TAKE PRECEDENCE
5. THIS PRODUCT NAME FLAG TYPE CONNECT SLEEVE 5DIA SERIES SHUR PLUG RECEPTACLE

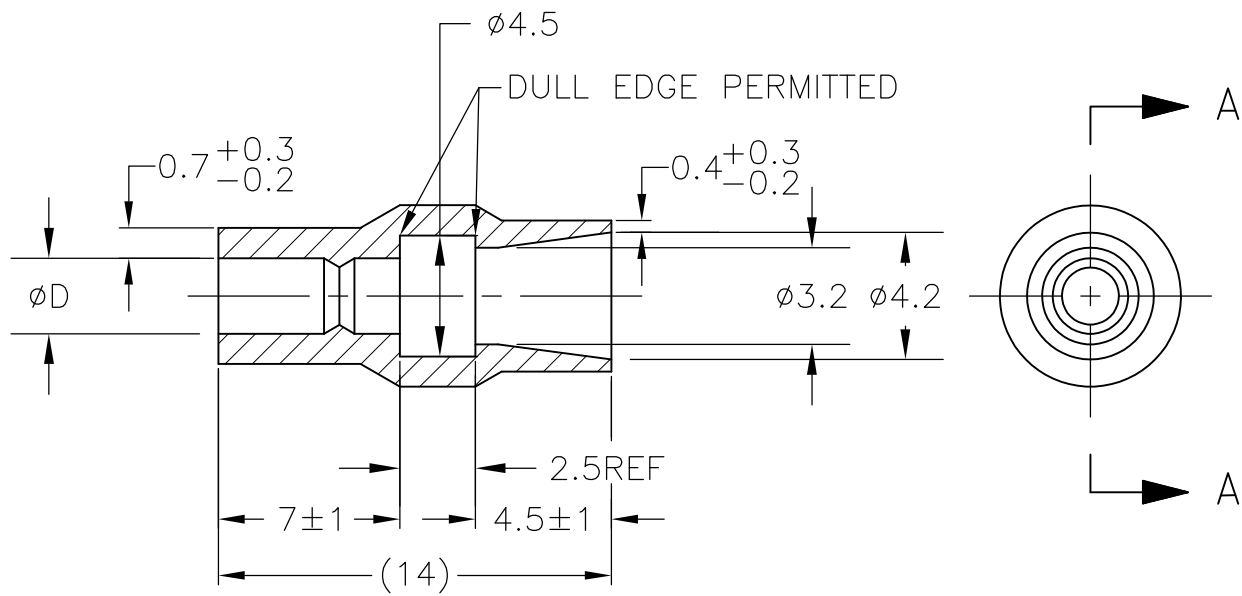
△ OBSOLETE PARTS: OBSOLETE CIS STREAMLINING PER D.RENAUD/D.SINISI

△ OBSOLETE	CLEAR	33	6	24.5	2.8	215028	3-170823-5
		47	7	37.5	3.2	215032-1	2-170823-9
	COLOR	L	L2	L1	φ D	△ SHINAGAWA SHOKO PN	PART NUMBER

THIS DRAWING IS UNPUBLISHED. ALL RIGHTS RESERVED.

DIMENSIONS: 単位： 耗 mm	DWN	31AUG00	MATERIAL	FINISH
	A. YAMAGUCHI		—	—
TOLERANCES UNLESS OTHERWISE SPECIFIED: 一般公差	CHK	31AUG00		
	D. MATSUURA			
0 PLC ± - 1 PLC ± - 2 PLC ± - 3 PLC ± - 4 PLC ± - ANGLES ± -	APVD	31AUG00	NAME	
	K. BETSUI		INSULATION SLEEVE	
WEIGHT	PRODUCT SPEC		SIZE	CAGE CODE
	製品規格		A4	00779
CUSTOMER DRAWING	APPLICATION SPEC		DRAWING NO	RESTRICTED TO
	取付適用規格		C-170823	—
SCALE		2:1	SHEET	7 OF 13
REV		H4		

LOC	DIST	REVISIONS			
J	—	P	LTR	DESCRIPTION	DATE
				SEE SHEET 1	



A-A

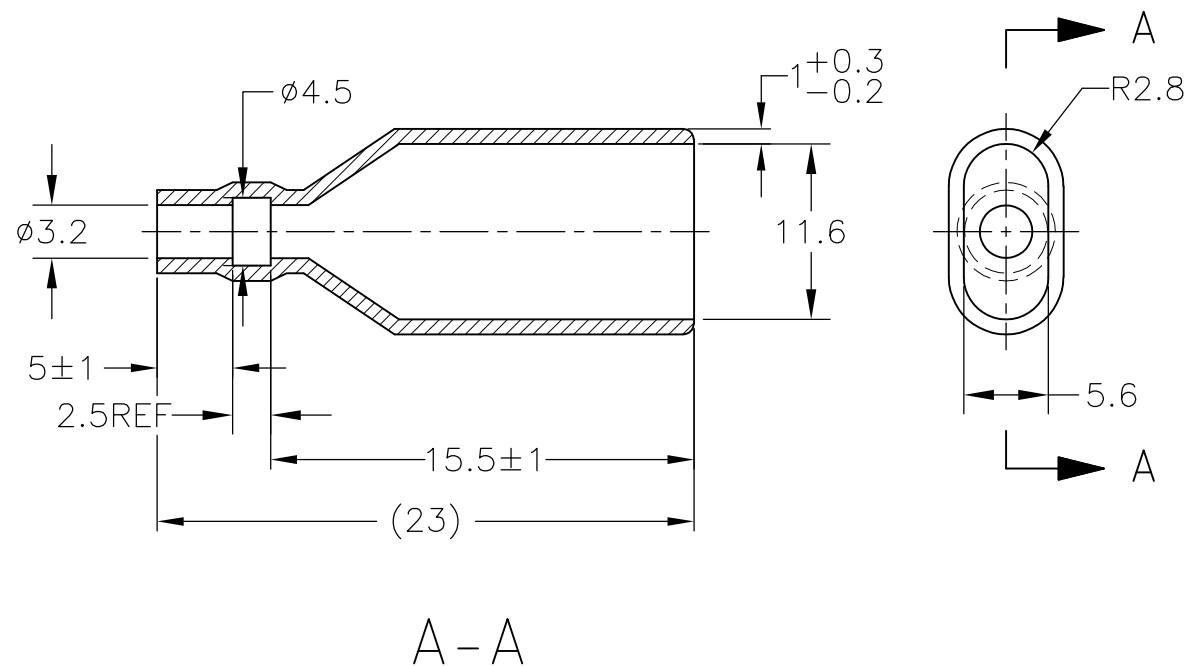
1. 材質：SS-108（一般）
 2. 一般公差：±0.5
 3. 適用製品規格は無し
 - △ 品川商工発行のカタログと本図で寸法が異なる場合は本図を優先する。
 5. この製品の名称はコネクタスリーブ 5DIAシリーズシュワープラグ
1. MATERIAL:SS-108(GENERAL)
 2. GENERAL TOLERANCE: ±0.5
 3. APPLICABLE PRODUCT SPEC NOT AVAILABLE
 - △ IN THE EVENT OF CONFLICT BETWEEN THE REQUIREMENTS OF THIS CUSTOMER DRAWING AND THE SHINAGAWA SHOKO CO LTD CATALOG THIS CUSTOMER DRAWING SHALL TAKE PRECEDENCE
 5. THIS PRODUCT NAME CONNECT SLEEVE 5DIA SERIES SHUR PLUG
 - △ OBSOLETE PARTS: OBSOLETE CIS STREAMLINING PER D.RENAUD/D.SINISI

△	OBSOLETE	CLEAR	2.2	224222	5-170823-1
	OBSOLETE		2.8	224228	3-170823-4
		COLOR	φ D	△ SHINAGAWA SHOKO PN	PART NUMBER

THIS DRAWING IS UNPUBLISHED. ALL RIGHTS RESERVED.

DIMENSIONS: 単位： 耗 mm TOLERANCES UNLESS OTHERWISE SPECIFIED: 一般公差 0 PLC ± - 1 PLC ± - 2 PLC ± - 3 PLC ± - 4 PLC ± - ANGLES ± -	DWN	31AUG00	MATERIAL	FINISH	
	A. YAMAGUCHI		-	-	
	CHK	31AUG00			
	D. MATSUURA				
APVD	31AUG00	NAME	INSULATION SLEEVE		
K. BETSUI		SIZE	CAGE CODE	DRAWING NO	RESTRICTED TO
PRODUCT SPEC		A4	00779	C-170823	-
APPLICATION SPEC		SCALE	SHEET	REV	
取付適用規格		4:1	8 OF 13	H4	
WEIGHT		CUSTOMER DRAWING			

LOC	DIST	REVISIONS 変更				
		P	LTR	DATE	DWN	APVD
J	—	—	—	—	—	
		DESCRIPTION		DATE	DWN	APVD
		SEE SHEET 1		—	—	—



A-A

- 1. 材質：SS-108（一般）
- 2. 一般公差：±0.5
- 3. 適用製品規格は無し

△ 品川商工発行のカタログと本図で寸法が異なる場合は本図を優先する。
5. この製品の名称はコネクタスリーブ AMP00シリーズ

- 1. MATERIAL:SS-108(GENERAL)
- 2. GENERAL TOLERANCE: ±0.5
- 3. APPLICABLE PRODUCT SPEC NOT AVAILABLE

△ IN THE EVENT OF CONFLICT BETWEEN THE REQUIREMENTS OF THIS CUSTOMER DRAWING AND THE SHINAGAWA SHOKO CO LTD CATALOG THIS CUSTOMER DRAWING SHALL TAKE PRECEDENCE

5. THIS PRODUCT NAME FLAG TYPE CONNECT SLEEVE AMP00 SERIES

△ OBSOLETE PARTS: OBSOLETE CIS STREAMLINING PER D.RENAUD/D.SINISI

△ OBSOLETE	CLEAR	230032-1	2-170823-1
	COLOR	△ SHINAGAWA SHOKO PN	PART NUMBER

THIS DRAWING IS UNPUBLISHED. ALL RIGHTS RESERVED.

DIMENSIONS: 単位： 耗 mm	DWN	A. YAMAGUCHI	31AUG00	MATERIAL	材料	—	FINISH	仕上	—
	CHK	D. MATSUURA	31AUG00	TE TE Connectivity					
TOLERANCES UNLESS OTHERWISE SPECIFIED: 一般公差	APVD	K. BETSUI	31AUG00						
0 PLC ± -	PRODUCT SPEC		NAME						
1 PLC ± -	製品規格		INSULATION SLEEVE						
2 PLC ± -	APPLICATION SPEC		SIZE		CAGE CODE	DRAWING NO	RESTRICTED TO		
3 PLC ± -	取付適用規格		A4	00779	C-170823	—			
4 PLC ± -	WEIGHT		SCALE		SHEET	REV	H4		
ANGLES ± -	CUSTOMER DRAWING		尺度	2:1	9 OF 13				

THIS DRAWING IS UNPUBLISHED. RELEASED FOR PUBLICATION
 © COPYRIGHT - By - ALL RIGHTS RESERVED.

LOC	DIST	REVISIONS					
		P	LTR	DESCRIPTION	DATE	DWN	APVD
J	-	-	-	SEE SHEET 1	-	-	-

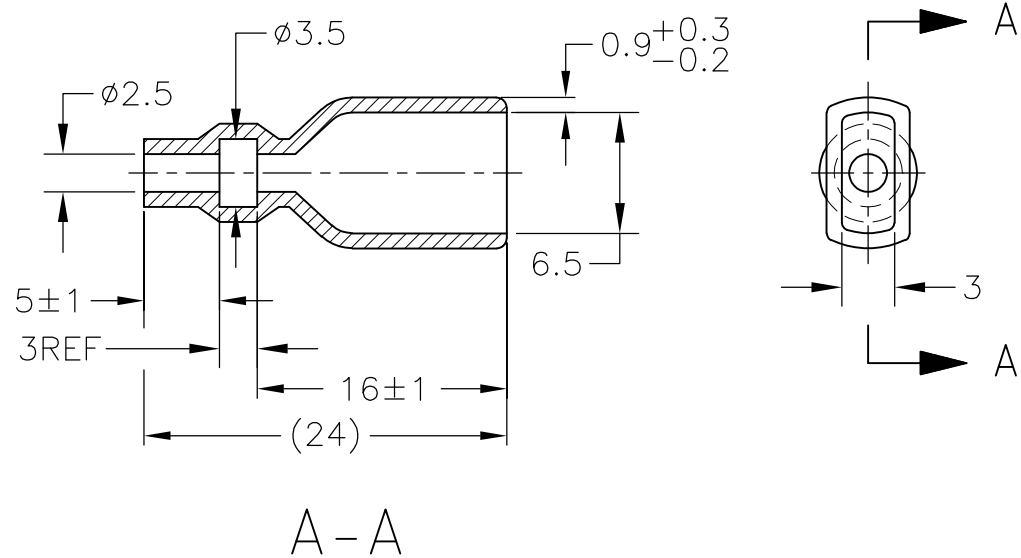


- 1. 材質：SS-108（一般）
- 2. 一般公差：±0.5
- 3. 適用製品規格は無し
- ⚠ 品川商工発行のカタログと本図で寸法が異なる場合は本図を優先する。
- 1. MATERIAL:SS-108(GENERAL)
- 2. GENERAL TOLERANCE: ±0.5
- 3. APPLICABLE PRODUCT SPEC NOT AVAILABLE
- ⚠ IN THE EVENT OF CONFLICT BETWEEN THE REQUIREMENTS OF THIS CUSTOMER DRAWING AND THE SHINAGAWA SHOKO CO LTD CATALOG THIS CUSTOMER DRAWING SHALL TAKE PRECEDENCE
- ⚠ OBSOLETE PARTS: OBSOLETE CIS STREAMLINING PER D.RENAUD/D.SINISI

OBSOLETE	YELLOW	24	16.5	2.5	4.5	2.5	238025-2	4-170823-8
OBSOLETE	RED					2.5	238025-1	4-170823-7
OBSOLETE	CLEAR	25	17.5	3	5	4	238040	4-170823-9
OBSOLETE	BROWN						238032-3	3-170823-2
OBSOLETE	BLUE	24.5	17.0	2.5	4.7	3.2	238032-2	3-170823-1
⚠ OBSOLETE	CLEAR		16.5			3.5	238035-3	2-170823-7
		40.5	32.5	3	4.5		238035-2	2-170823-0
		35.5	27.5			3.5	238035-1	1-170823-9
		27	19.5	2.5	4.7	3.2	238032-1	1-170823-8
⚠ OBSOLETE		45	37.5	3	3.2	2	238020-1	4-170823-7
		25	17.5	2.5	5.3	3.8	238038	1-170823-6
		24	16.0	3	4.5	3.5	238035	1-170823-5
⚠ OBSOLETE		27	19.5		7.5	6	238060	1-170823-7
		25	17.5	2.5	6.3	4.8	238048	170823-6
		24	16.5		4.7	3.2	238032	170823-4
		16.0	3	3.2	2	238020	170823-3	
			3	4.5	2.5	238025	170823-2	
	COLOR	L	L2	L1	phi D1	phi D	SHINAGAWA SHOKO PN	PART NUMBER

THIS DRAWING IS A CONTROLLED DOCUMENT.		DWN A. YAMAGUCHI 31AUG00	TE Connectivity		
DIMENSIONS: 単位：mm 一般公差		CHK D. MATSUURA 31AUG02			
TOLERANCES UNLESS OTHERWISE SPECIFIED: 一般公差		APVD K. BETSUI 31AUG02	NAME 名称		
0 PLC ± -		PRODUCT SPEC 製品規格	INSULATION SLEEVE		
1 PLC ± -		APPLICATION SPEC 取付適用規格	SIZE	CAGE CODE	DRAWING NO 番号
2 PLC ± -		WEIGHT	A3	00779	C-170823
3 PLC ± -			RESTRICTED TO		
4 PLC ± -			-		
ANGLES ± -			SCALE 尺度	SHEET	REV
FINISH 仕上			2:1	10 OF 13	H4
MATERIAL 材料		CUSTOMER DRAWING			

LOC	DIST	REVISIONS 変更					
J	—	P	LTR	DESCRIPTION	DATE	DWN	APVD
			—	SEE SHEET 1	—	—	—



1. 材質：SS-108（一般）
2. 一般公差：±0.5
3. 適用製品規格は無し
4. 品川商工発行のカタログと本図で寸法が異なる場合は本図を優先する。
5. この製品の名称はコネクタスリーブ AMP205シリーズ

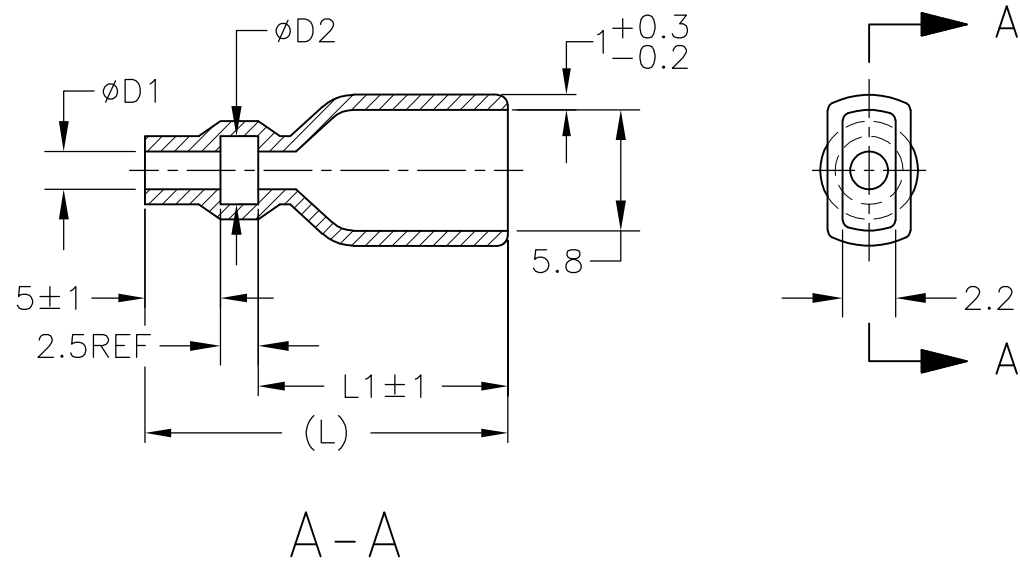
1. MATERIAL:SS-108(GENERAL)
2. GENERAL TOLERANCE: ±0.5
3. APPLICABLE PRODUCT SPEC NOT AVAILABLE
4. IN THE EVENT OF CONFLICT BETWEEN THE REQUIREMENTS OF THIS CUSTOMER DRAWING AND THE SHINAGAWA SHOKO CO LTD CATALOG THIS CUSTOMER DRAWING SHALL TAKE PRECEDENCE
5. THIS PRODUCT NAME FLAG TYPE CONNECT SLEEVE AMP205 SERIES

CLEAR	236525	4-170823-1
COLOR	△ SHINAGAWA SHOKO PN	PART NUMBER

THIS DRAWING IS UNPUBLISHED. ALL RIGHTS RESERVED.

DIMENSIONS: 単位： 耗 mm	DWN	31AUG00	MATERIAL	FINISH
	A. YAMAGUCHI		材料	仕上
TOLERANCES UNLESS OTHERWISE SPECIFIED: 一般公差	CHK	31AUG00	TE TE Connectivity	
	D. MATSUURA			
0 PLC ± - 1 PLC ± - 2 PLC ± - 3 PLC ± - 4 PLC ± - ANGLES ± -	APVD	31AUG00	NAME	
	K. BETSUI		名称	
CUSTOMER DRAWING	PRODUCT SPEC		SIZE	CAGE CODE
	製品規格		A4	00779
	APPLICATION SPEC		DRAWING NO	RESTRICTED TO
	取付適用規格		C-170823	—
	WEIGHT		SCALE	SHEET
			尺度 2:1	11 OF 13
			REV	H4

LOC	DIST	REVISIONS 変更					
J	—	P	LTR	DESCRIPTION	DATE	DWN	APVD
		—		SEE SHEET 1	—	—	—



1. 材質：SS-108（一般）
 2. 一般公差：±0.5
 3. 適用製品規格は無し
 - △ 品川商工発行のカタログと本図で寸法が異なる場合は本図を優先する。
 5. この製品の名称はコネクタスリーブ AMP187シリーズ
-
1. MATERIAL:SS-108(GENERAL)
 2. GENERAL TOLERANCE: ±0.5
 3. APPLICABLE PRODUCT SPEC NOT AVAILABLE
 - △ IN THE EVENT OF CONFLICT BETWEEN THE REQUIREMENTS OF THIS CUSTOMER DRAWING AND THE SHINAGAWA SHOKO CO LTD CATALOG THIS CUSTOMER DRAWING SHALL TAKE PRECEDENCE
 5. THIS PRODUCT NAME FLAG TYPE CONNECT SLEEVE AMP187 SERIES
 - △ OBSOLETE PARTS: OBSOLETE CIS STREAMLINING PER D.RENAUD/D.SINISI

△ OBSOLETE	CLEAR	23	15.5	3.3	1.8	235818	2-170823-5
		20	12.5	3.5	2.5	235825-1	1-170823-4
		23	15.5	3.7	2.2	235822	1-170823-3
COLOR	L	L1	$\phi D2$	$\phi D1$	△ SHINAGAWA SHOKO PN		PART NUMBER

THIS DRAWING IS UNPUBLISHED. © COPYRIGHT - By - ALL RIGHTS RESERVED.

DIMENSIONS: 単位： 耗 mm	DWN	A. YAMAGUCHI	31AUG00	MATERIAL	材料	—	FINISH	仕上	—
	CHK	D. MATSUURA	31AUG00						
TOLERANCES UNLESS OTHERWISE SPECIFIED: 一般公差	APVD	K. BETSUI	31AUG00						
0 PLC ± -	PRODUCT SPEC			NAME					
1 PLC ± -	製品規格			INSULATION SLEEVE					
2 PLC ± -	APPLICATION SPEC			SIZE	CAGE CODE	DRAWING NO	RESTRICTED TO		
3 PLC ± -	取付適用規格			A4	00779	C-170823	—		
4 PLC ± -	WEIGHT			SCALE					
ANGLES ± -	CUSTOMER DRAWING			尺度	2:1	SHEET	12 of 13	REV	H4

THIS DRAWING IS UNPUBLISHED. RELEASED FOR PUBLICATION
 © COPYRIGHT - By - ALL RIGHTS RESERVED.

LOC	DIST	REVISIONS					
J	-	P	LTR	DESCRIPTION	DATE	DWN	APVD
		-		SEE SHEET 1	-	-	-



- 1. 材質：SS-108（一般）
- 2. 一般公差：±0.5
- 3. 適用製品規格は無し
- △4 品川商工発行のカタログと本図で寸法が異なる場合は本図を優先する。
- 1. MATERIAL:SS-108(GENERAL)
- 2. GENERAL TOLERANCE: ±0.5
- 3. APPLICABLE PRODUCT SPEC NOT AVAILABLE
- △4 IN THE EVENT OF CONFLICT BETWEEN THE REQUIREMENTS OF THIS CUSTOMER DRAWING AND THE SHINAGAWA SHOKO CO LTD CATALOG THIS CUSTOMER DRAWING SHALL TAKE PRECEDENCE
- △5 OBSOLETE PARTS: OBSOLETE CIS STREAMLINING PER D.RENAUD/D.SINISI

△5	OBSOLETE	CLEAR	37	29.5	5	3.5	2.5	2	234025-4	5-170823-4
	OBSOLETE					4.3	2.8	2.1	234028	5-170823-3
△5	OBSOLETE	YELLOW	21	13.5		3.5	2.5	2	234025-3	4-170823-6
	OBSOLETE	RED				234025-2	4-170823-5			
	OBSOLETE	BLACK				3.3	1.8	2.1	234018-4	2-170823-4
	OBSOLETE	CLEAR	23	15.5		3.5	2.5		234025-1	2-170823-3
△5	OBSOLETE					30	22.5	3.4	1.8	2.1
			23	15.5					234018-1	1-170823-1
			21	13.5		3.8	3	2	234030	1-170823-0
		18	12.5	3		2.8	1.6		234016	170823-8
		21	13.5	5	3.5	2.5	2	234025	170823-1	
		COLOR	L	L2	L1	φ d2	φ d1	W	SHINAGAWA SHOKO PN	PART NUMBER

THIS DRAWING IS A CONTROLLED DOCUMENT.		DWN A. YAMAGUCHI 31AUG00	STE TE Connectivity			
DIMENSIONS: 単位：mm		CHK D. MATSUURA 31AUG02				
TOLERANCES UNLESS OTHERWISE SPECIFIED: 一般公差		APVD K. BETSUI 31AUG02	NAME 名称			
0 PLC ± - 1 PLC ± - 2 PLC ± - 3 PLC ± - 4 PLC ± - ANGLES ± -		PRODUCT SPEC 製品規格	INSULATION SLEEVE			
MATERIAL 材料		APPLICATION SPEC 取付適用規格	SIZE	CAGE CODE	DRAWING NO 番号	RESTRICTED TO
FINISH 仕上		WEIGHT	A3	00779	C-170823	-
CUSTOMER DRAWING			SCALE 尺度	SHEET	REV	
			2:1	13 OF 13	H4	

X-ON Electronics

Largest Supplier of Electrical and Electronic Components

Click to view similar products for [Terminals](#) category:

Click to view products by [TE Connectivity](#) manufacturer:

Other Similar products are found below :

[00-054007-01074-6](#) [00-054007-70206-1](#) [00-054007-70210-8](#) [00-054007-70217-7](#) [00-054007-70226-9](#) [00-054007-70228-3](#) [00-054007-70248-1](#) [00-054007-70256-6](#) [00-054007-70301-3](#) [00-054007-70316-7](#) [00-054007-49560-4](#) [00-054007-70209-2](#) [00-054007-70225-2](#) [00-054007-70227-6](#) [00-054007-70231-3](#) [00-054007-70241-2](#) [00-054007-70242-9](#) [00-054007-70244-3](#) [00-054007-70246-7](#) [00-054007-70263-4](#) [00-054007-70288-7](#) [00-054007-70290-0](#) [00-054007-70300-6](#) [00-054007-70304-4](#) [01-2065-1-0216](#) [01-2900-1-04412](#) [00581P0075](#) [600TS-10](#) [60205-1](#) [604200-1](#) [605601-1](#) [60598-1-CUT-TAPE](#) [61314-6-C](#) [61810-3](#) [61-S](#) [61-SN](#) [626-0194](#) [62-NBM-A](#) [62-SN](#) [62-SP](#) [63-S](#) [640179-1](#) [M55155/059I03](#) [M55155/079C01](#) [M55155/099H02](#) [M55155/109H01](#) [M55155/109H02](#) [M55155/12XH05](#) [M55155/16XH02](#) [M55155/29-5S](#)