

THIS DRAWING IS UNPUBLISHED. RELEASED FOR PUBLICATION
 © COPYRIGHT - By - ALL RIGHTS RESERVED.


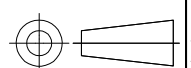
| LOC | DIST | REVISIONS 変更 | | | | | |
|-----|------|-----------------|-----|---------------------------|-----------|-----|------|
| | | P | LTR | DESCRIPTION | DATE | DWN | APVD |
| J | - | | H3 | REVISED PER ECO-11-005030 | 30MAR11 | RK | HMR |
| | | | H4 | REVISED PER ECR-18-002978 | 02JUL2021 | BDA | AA |

| | | | | |
|----|----------------|--------------------|-----------------------|--------------|
| △1 | OBSOLETE | 215032-1 | 2-170823-9 | SEE 7 OF 13 |
| | | 246225 | 2-170823-8 | SEE 2 OF 13 |
| △1 | OBSOLETE | 238035-3 | 2-170823-7 | SEE 10 OF 13 |
| | OBSOLETE | 235818 | 2-170823-5 | SEE 12 OF 13 |
| | OBSOLETE | 234018-4 | 2-170823-4 | SEE 13 OF 13 |
| | OBSOLETE | 234025-1 | 2-170823-3 | |
| | △1 OBSOLETE | 234030-1 | 2-170823-2 | SEE 10 OF 13 |
| | | 230032-1 | 2-170823-1 | |
| | | 238035-2 | 2-170823-0 | |
| | | 238035-1 | 1-170823-9 | SEE 10 OF 13 |
| | | 238032-1 | 1-170823-8 | |
| △1 | OBSOLETE | 238020-1 | 1-170823-7 | |
| | | 238038 | 1-170823-6 | SEE 12 OF 13 |
| | | 238035 | 1-170823-5 | |
| | | 235825-1 | 1-170823-4 | |
| | | 235822 | 1-170823-3 | SEE 13 OF 13 |
| | | 234018-2 | 1-170823-2 | |
| | | 234018-1 | 1-170823-1 | |
| | | 234030 | 1-170823-0 | SEE 10 OF 13 |
| | | 234018 | 170823-9 | |
| | | 234016 | 170823-8 | |
| △1 | OBSOLETE | 238060 | 170823-7 | SEE 10 OF 13 |
| | | 238048 | 170823-6 | |
| | | 238032 | 170823-4 | |
| | | 238020 | 170823-3 | SEE 13 OF 13 |
| | | 238025 | 170823-2 | |
| | | 234025 | 170823-1 | |
| | | SHINAGAWA SHOKO PN | PN | REMARK |

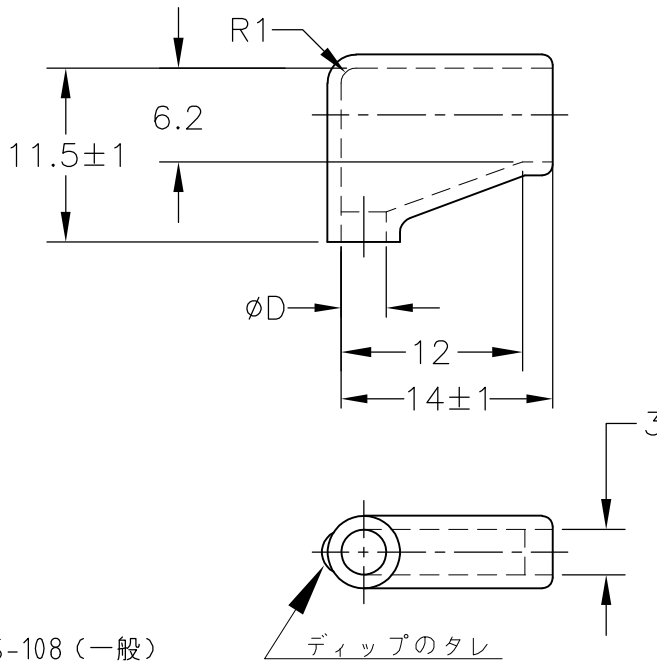
| | | | | |
|----|----------|--------------------|-----------------------|--------------|
| | | 24623204 | 5-170823-8 | SEE 2 OF 13 |
| | | 248550 | 5-170823-7 | SEE 3 OF 13 |
| | | 246230 | 5-170823-6 | SEE 2 OF 13 |
| △1 | OBSOLETE | 234025-4 | 5-170823-4 | SEE 13 OF 13 |
| | OBSOLETE | 234028 | 5-170823-3 | |
| | OBSOLETE | 224222 | 5-170823-1 | SEE 8 OF 13 |
| △1 | OBSOLETE | 246232-1 | 5-170823-0 | SEE 2 OF 13 |
| | OBSOLETE | 238040 | 4-170823-9 | SEE 10 OF 13 |
| | OBSOLETE | 238025-2 | 4-170823-8 | |
| | OBSOLETE | 238025-1 | 4-170823-7 | |
| △1 | OBSOLETE | 234025-3 | 4-170823-6 | SEE 13 OF 13 |
| | OBSOLETE | 234025-2 | 4-170823-5 | |
| | OBSOLETE | 248525 | 4-170823-4 | SEE 3 OF 13 |
| △1 | OBSOLETE | 215025W | 4-170823-3 | SEE 6 OF 13 |
| | OBSOLETE | 236525W | 4-170823-2 | SEE 5 OF 13 |
| | | 236525 | 4-170823-1 | SEE 11 OF 13 |
| | OBSOLETE | 234025W | 4-170823-0 | SEE 5 OF 13 |
| | | 246232 | 3-170823-8 | SEE 2 OF 13 |
| | OBSOLETE | 230025W | 3-170823-7 | SEE 4 OF 13 |
| | OBSOLETE | 238025W | 3-170823-6 | SEE 5 OF 13 |
| | △1 | 215028 | 3-170823-5 | SEE 7 OF 13 |
| | | 224228 | 3-170823-4 | SEE 8 OF 13 |
| | OBSOLETE | 215032W | 3-170823-3 | SEE 6 OF 13 |
| | OBSOLETE | 238032-3 | 3-170823-2 | SEE 10 OF 13 |
| | OBSOLETE | 238032-2 | 3-170823-1 | |
| | | SHINAGAWA SHOKO PN | PN | REMARK |

| | |
|------------|------------|
| X-170892-X | SEE 170892 |
| X-170893-X | SEE 170893 |
| X-170887-X | SEE 170887 |
| X-170889-X | SEE 170889 |
| X-170888-X | SEE 170888 |
| X-170890-X | SEE 170890 |
| X-170891-X | SEE 170891 |
| PN | REMARK |

△1 OBSOLETE PARTS: OBSOLETE CIS STREAMLINING PER D.RENAUD/D.SINISI

| | | | | |
|---|--|--------------------------------|---|--------------------|
| THIS DRAWING IS A CONTROLLED DOCUMENT. | | DWN A. YAMAGUCHI 31AUG00 |  TE Connectivity | |
| DIMENSIONS: 单位: 耗 mm | | CHK D. MATSUURA 31AUG00 | | |
| TOLERANCES UNLESS OTHERWISE SPECIFIED: 一般公差 | | APVD K. BETSUI 31AUG00 | NAME 名称 | |
|  | | PRODUCT SPEC 製品規格 | INSULATION SLEEVE | |
| MATERIAL 材料 | | APPLICATION SPEC 取付適用規格 | SIZE A3 | CAGE CODE 00779 |
| FINISH 仕上 | | WEIGHT | DRAWING NO 番号 G-170823 | RESTRICTED TO — |
| CUSTOMER DRAWING | | | SCALE 尺度 1:1 | SHEET 1 OF 13 |
| | | | REV H4 | |

| | | | | | | | |
|----------|-----------|-----------------|-----|-------------|------|-----|------|
| LOC J | DIST — | REVISIONS 変更 | | | DATE | DWN | APVD |
| | | P | LTR | DESCRIPTION | | | |
| | | | — | SEE SHEET 1 | — | — | — |



1. 材質：SS-108（一般）
2. 一般公差：±0.5
3. 適用製品規格は無し
- △ 品川商工発行のカタログと本図で寸法が異なる場合は本図を優先する。
5. この製品の名称は旗型コネクタスリーブ187シリーズ

1. MATERIAL:SS-108(GENERAL)
2. GENERAL TOLERANCE: ±0.5
3. APPLICABLE PRODUCT SPEC NOT AVAILABLE
- △ IN THE EVENT OF CONFLICT BETWEEN THE REQUIREMENTS OF THIS CUSTOMER DRAWING AND THE SHINAGAWA SHOKO CO LTD CATALOG THIS CUSTOMER DRAWING SHALL TAKE PRECEDENCE
5. THIS PRODUCT NAME FLAG TYPE CONNECT SLEEVE FOR 187 SERIES
- △ OBSOLETE PARTS: OBSOLETE CIS STREAMLINING PER D.RENAUD/D.SINISI

| | | | | | |
|--------------|-----------|----------------------|----------------------|-------------|-----------------------|
| OBSOLETE | BLACK | $1^{+0.3}$ -0.2 | 3.2 | 24623204 | 5-170823-8 |
| | CLEAR | | 3 | 246230 | 5-170823-6 |
| | | | 3.2 | 246232-1 | 5-170823-0 |
| | | | 3.2 | 246232 | 3-170823-8 |
| | | | 2.5 | 246225 | 2-170823-8 |
| COLOR | THICKNESS | φD | △ SHINAGAWA SHOKO PN | PART NUMBER | |

THIS DRAWING IS UNPUBLISHED.

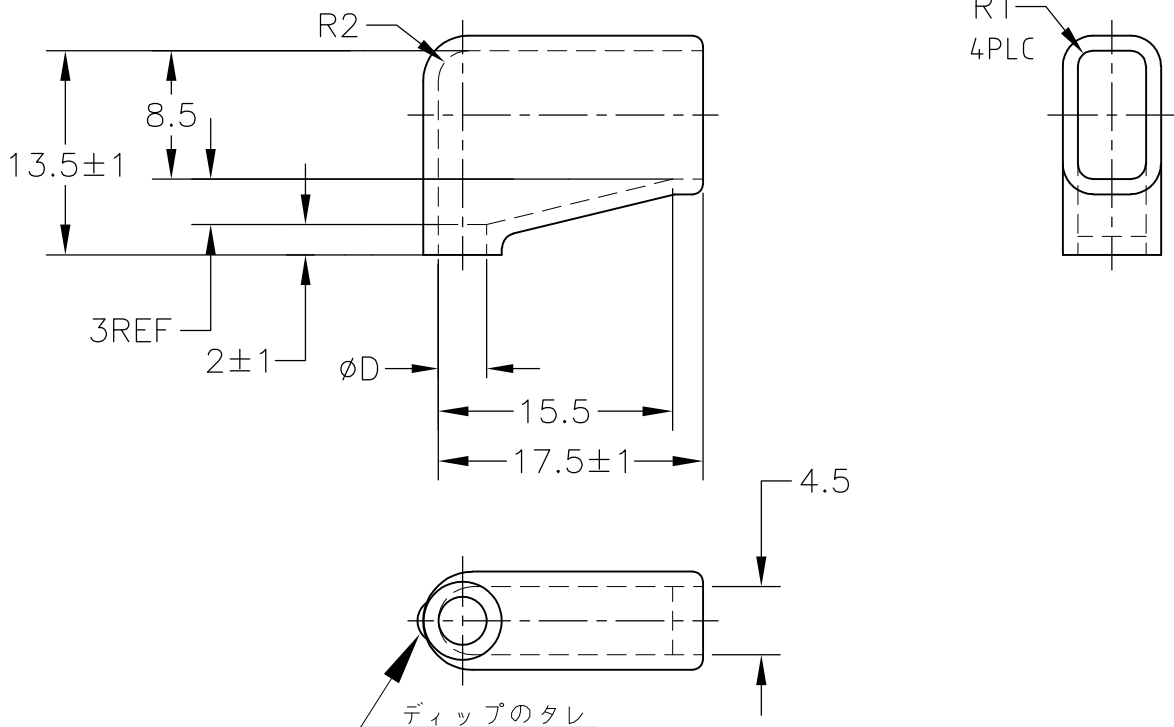
RELEASED FOR PUBLICATION

ALL RIGHTS RESERVED.

COPYRIGHT - By -

| | | | |
|---|---|--|--------------------|
| DIMENSIONS: 単位：耗 mm | DWN A. YAMAGUCHI 31AUG00 | MATERIAL 材料 | FINISH 仕上 |
| | CHK D. MATSUURA 31AUG00 | TE Connectivity | |
| TOLERANCES UNLESS OTHERWISE SPECIFIED: 一般公差 | APVD K. BETSUI 31AUG00 | | |
| | 0 PLC ± - 1 PLC ± - 2 PLC ± - 3 PLC ± - 4 PLC ± - ANGLES ± - | PRODUCT SPEC 製品規格 | SIZE A4 |
| | APPLICATION SPEC 取付適用規格 | DRAWING NO 番号 C-170823 | RESTRICTED TO — |
| | WEIGHT | CUSTOMER DRAWING SCALE 2:1 SHEET 2 OF 13 REV H4 | |

| | | | | | | | |
|----------|-----------|-----------------|-----|-------------|------|-----|------|
| LOC J | DIST — | REVISIONS 変更 | | | DATE | DWN | APVD |
| | | P | LTR | DESCRIPTION | | | |
| | | | — | SEE SHEET 1 | — | — | — |



1. 材質：SS-108（一般）
2. 一般公差：±0.5
3. 適用製品規格は無し
- △4 品川商工発行のカタログと本図で寸法が異なる場合は本図を優先する。
5. この製品の名称は旗型コネクタスリーブ 250シリーズ

1. MATERIAL:SS-108(GENERAL)
2. GENERAL TOLERANCE: ±0.5
3. APPLICABLE PRODUCT SPEC NOT AVAILABLE
- △4 IN THE EVENT OF CONFLICT BETWEEN THE REQUIREMENTS OF THIS CUSTOMER DRAWING AND THE SHINAGAWA SHOKO CO LTD CATALOG THIS CUSTOMER DRAWING SHALL TAKE PRECEDENCE
5. THIS PRODUCT NAME FLAG TYPE CONNECT SLEEVE FOR 250 SERIES
- △6 OBSOLETE PARTS: OBSOLETE CIS STREAMLINING PER D.RENAUD/D.SINISI

| | | | | | | |
|----|----------|-----------|-------|----------------------|--------|-------------|
| △6 | OBSOLETE | CLEAR | 1±0.3 | 5 | 248550 | 5-170823-7 |
| | OBSOLETE | | | 2.5 | 248525 | 4-170823-4 |
| | COLOR | THICKNESS | φD | △ SHINAGAWA SHOKO PN | | PART NUMBER |

THIS DRAWING IS UNPUBLISHED. ALL RIGHTS RESERVED.

COPYRIGHT - By -

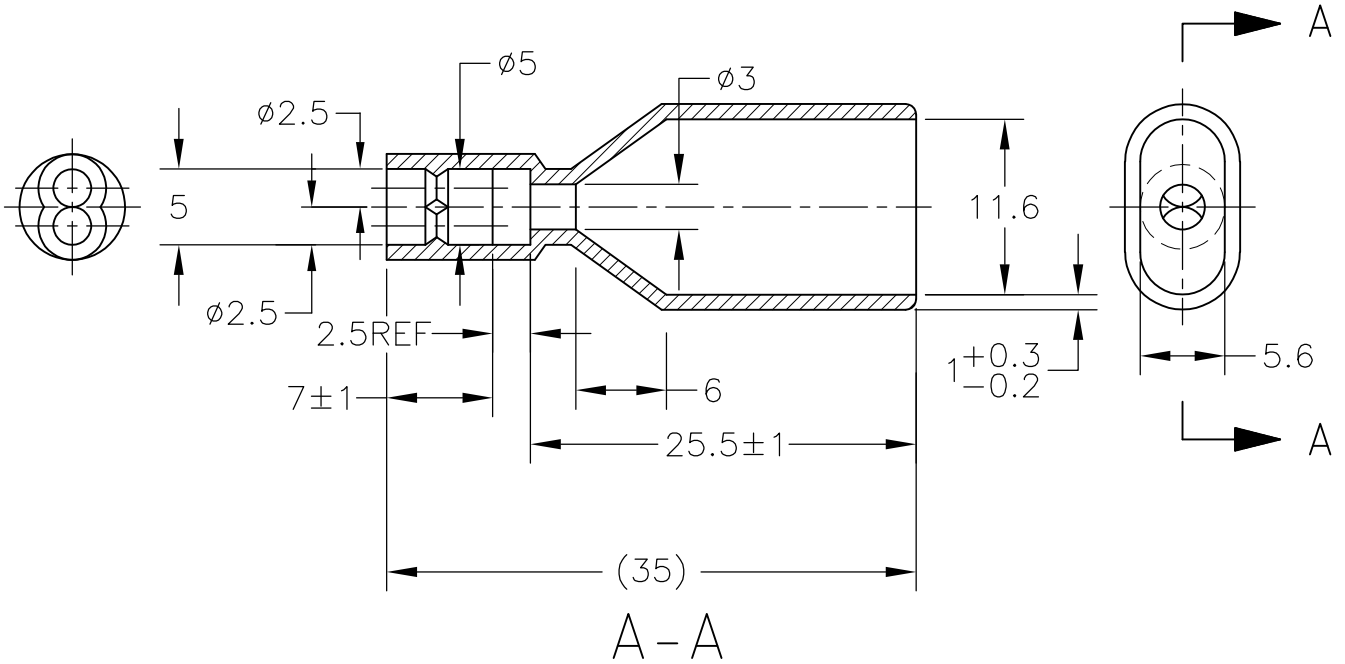
DIMENSIONS:
単位： 耗
mm

TOLERANCES UNLESS OTHERWISE SPECIFIED:
一般公差

| | |
|--------|-----|
| 0 PLC | ± - |
| 1 PLC | ± - |
| 2 PLC | ± - |
| 3 PLC | ± - |
| 4 PLC | ± - |
| ANGLES | ± - |

| | | |
|---------------------------------|---------------------------------|--------------------|
| DWN A. YAMAGUCHI 31AUG00 | MATERIAL 材料 — | FINISH 仕上 — |
| CHK D. MATSUURA 31AUG00 | TE Connectivity | |
| APVD K. BETSUI 31AUG00 | | |
| PRODUCT SPEC 製品規格 — | NAME 名称 INSULATION SLEEVE | |
| APPLICATION SPEC 取付適用規格 — | SIZE A4 | CAGE CODE 00779 |
| WEIGHT — | DRAWING NO 番号 C-170823 | RESTRICTED TO — |
| CUSTOMER DRAWING | | SCALE 尺度 2:1 |
| | | SHEET 3 OF 13 |
| | | REV H4 |

| | | | | | | | |
|----------|-----------|-----------------|-----|-------------|------|-----|------|
| LOC J | DIST — | REVISIONS 変更 | | | DATE | DWN | APVD |
| | | P | LTR | DESCRIPTION | | | |
| | | | — | SEE SHEET 1 | — | — | — |



1. 材質：SS-108（一般）
2. 一般公差：±0.5
3. 適用製品規格は無し
- ⚠ 品川商工発行のカタログと本図で寸法が異なる場合は本図を優先する。
5. この製品の名称はコネクタスリーブ AMP00シリーズ

1. MATERIAL:SS-108(GENERAL)
2. GENERAL TOLERANCE: ±0.5
3. APPLICABLE PRODUCT SPEC NOT AVAILABLE
- ⚠ IN THE EVENT OF CONFLICT BETWEEN THE REQUIREMENTS OF THIS CUSTOMER DRAWING AND THE SHINAGAWA SHOKO CO LTD CATALOG THIS CUSTOMER DRAWING SHALL TAKE PRECEDENCE
5. THIS PRODUCT NAME FLAG TYPE CONNECT SLEEVE AMP00 SERIES

RELEASED FOR PUBLICATION

ALL RIGHTS RESERVED.

THIS DRAWING IS UNPUBLISHED.

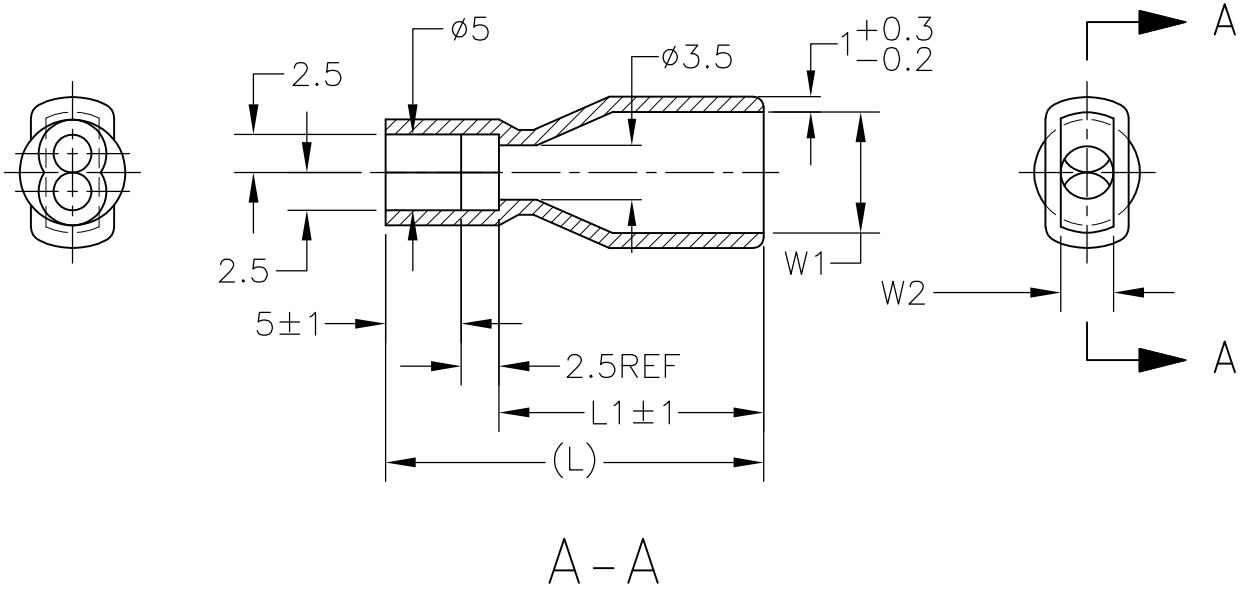
By -

COPYRIGHT -

| | | | |
|----------|-------|----------------------|-------------|
| OBSELETE | CLEAR | 230025W | 3-170823-7 |
| | COLOR | ⚠ SHINAGAWA SHOKO PN | PART NUMBER |

| | | | | |
|--|----------------------|----------------------------|------------------------------|--------------------|
| DIMENSIONS: 単位： 耗 mm | DWN A. YAMAGUCHI | 31AUG00 | MATERIAL 材料 | FINISH 仕上 |
| | CHK D. MATSUURA | 31AUG00 | TE Connectivity | |
| TOLERANCES UNLESS OTHERWISE SPECIFIED: 一般公差 | APVD K. BETSUI | 31AUG00 | | |
| | PRODUCT SPEC 製品規格 | APPLICATION SPEC 取付適用規格 | | RESTRICTED TO — |
| 0 PLC ± - | WEIGHT | | SIZE A4 | CAGE CODE 00779 |
| 1 PLC ± - | CUSTOMER DRAWING | | DRAWING NO 番号 C-170823 | SCALE 尺度 2:1 |
| 2 PLC ± - | | | | SHEET 4 OF 13 |
| 3 PLC ± - | | | | REV H4 |
| 4 PLC ± - | | | | |
| ANGLES ± - | | | | |

| | | | | | | | |
|----------|-----------|-----------|-----|-------------|------|-----|------|
| LOC J | DIST — | REVISIONS | | | | | |
| | | P | LTR | DESCRIPTION | DATE | DWN | APVD |
| | | | — | SEE SHEET 1 | — | — | — |



1. 材質：SS-108（一般）
2. 一般公差：±0.5
3. 適用製品規格は無し
4. 品川商工発行のカタログと本図で寸法が異なる場合は本図を優先する。
5. この製品の名称はコネクタスリーブAMP00シリーズ

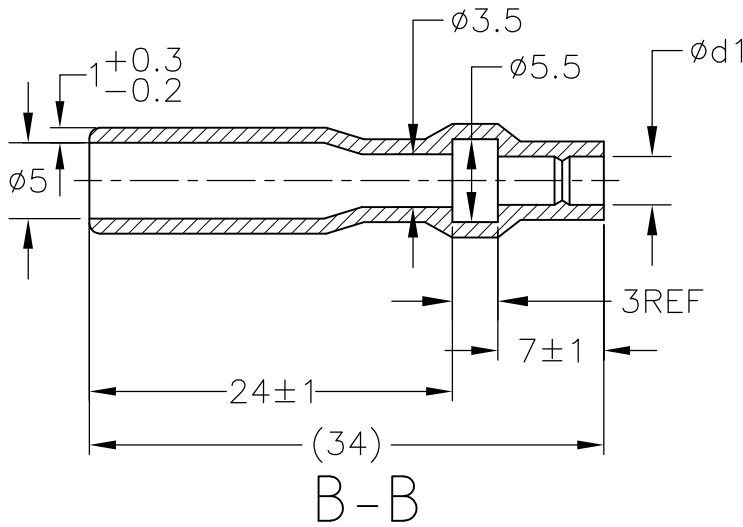
1. MATERIAL:SS-108(GENERAL)
2. GENERAL TOLERANCE: ±0.5
3. APPLICABLE PRODUCT SPEC NOT AVAILABLE
4. IN THE EVENT OF CONFLICT BETWEEN THE REQUIREMENTS OF THIS CUSTOMER DRAWING AND THE SHINAGAWA SHOKO CO LTD CATALOG THIS CUSTOMER DRAWING SHALL TAKE PRECEDENCE
5. THIS PRODUCT NAME FLAG TYPE CONNECT SLEEVE AMP00 SERIES

| | | | | | | | |
|----------|-------|----|------|-----|-----|----------------------|-------------|
| OBSOLETE | CLEAR | 23 | 15.5 | 3 | 6.5 | 236525W | 4-170823-2 |
| OBSOLETE | | 21 | 13.5 | | 4 | 234025W | 4-170823-0 |
| OBSOLETE | | 25 | 17.5 | 3.5 | 8 | 238025W | 3-170823-6 |
| | COLOR | L | L1 | W2 | W1 | △ SHINAGAWA SHOKO PN | PART NUMBER |

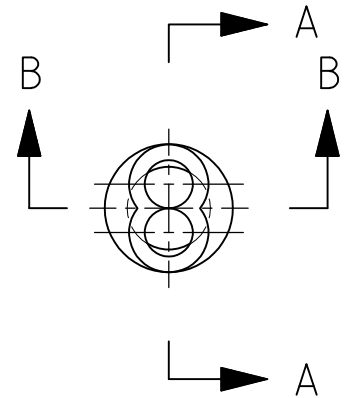
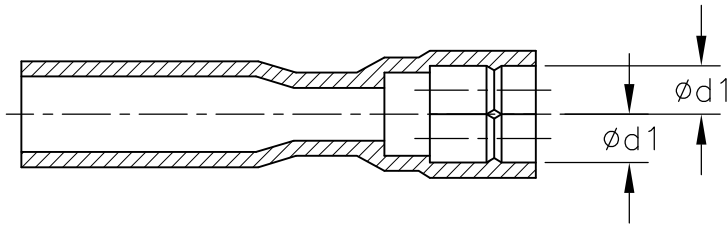
THIS DRAWING IS UNPUBLISHED. © COPYRIGHT - By - ALL RIGHTS RESERVED.

| | | | | | | |
|---|--------------------------------|------------------|--------------------|---------------------------------|--------------------|-----------|
| DIMENSIONS: 単位： 耗 mm | DWN A. YAMAGUCHI 31AUG00 | MATERIAL 材料 | FINISH 仕上 | | | |
| | CHK D. MATSUURA 31AUG00 | TE Connectivity | | | | |
| TOLERANCES UNLESS OTHERWISE SPECIFIED: 一般公差 | APVD K. BETSUI 31AUG00 | | | NAME 名称 INSULATION SLEEVE | | |
| 0 PLC ± - 1 PLC ± - 2 PLC ± - 3 PLC ± - 4 PLC ± - ANGLES ± - | PRODUCT SPEC 製品規格 | SIZE A4 | CAGE CODE 00779 | DRAWING NO 番号 C-170823 | RESTRICTED TO — | |
| | APPLICATION SPEC 取付適用規格 | CUSTOMER DRAWING | | SCALE 尺度 2:1 | SHEET 5 OF 13 | REV H4 |
| | WEIGHT | | | | | |

| | | | | | | | |
|----------|-----------|-----------------|-----|-------------|------|-----|------|
| LOC J | DIST — | REVISIONS 変更 | | | DATE | DWN | APVD |
| | | P | LTR | DESCRIPTION | | | |
| | | | | SEE SHEET 1 | — | — | — |



ROTATED CW 90°



1. 材質：SS-108 (一般)
2. 一般公差：±0.5
3. 適用製品規格は無し
- ⚠ 品川商工発行のカタログと本図で寸法が異なる場合は本図を優先する。
5. この製品の名称はコネクタスリーブ 5DIAシリーズシュワープラグ リセプタクル
1. MATERIAL:SS-108(GENERAL)
2. GENERAL TOLERANCE: ±0.5
3. APPLICABLE PRODUCT SPEC NOT AVAILABLE
- ⚠ IN THE EVENT OF CONFLICT BETWEEN THE REQUIREMENTS OF THIS CUSTOMER DRAWING AND THE SHINAGAWA SHOKO CO LTD CATALOG THIS CUSTOMER DRAWING SHALL TAKE PRECEDENCE
5. THIS PRODUCT NAME : CONNECT SLEEVE 5DIA SERIES SHUR PLUG RECEPTACLE
- ⚠ OBSOLETE PARTS: OBSOLETE CIS STREAMLINING PER D.RENAUD/D.SINISI

| | | | | |
|---------------|-------|-----|----------------------|-----------------------|
| ⚠ OBSOLETE | CLEAR | 2.5 | 215025W | 4-170823-3 |
| | | 3.2 | 215032W | 3-170823-3 |
| | COLOR | φd1 | ⚠ SHINAGAWA SHOKO PN | PART NUMBER |

RELEASED FOR PUBLICATION

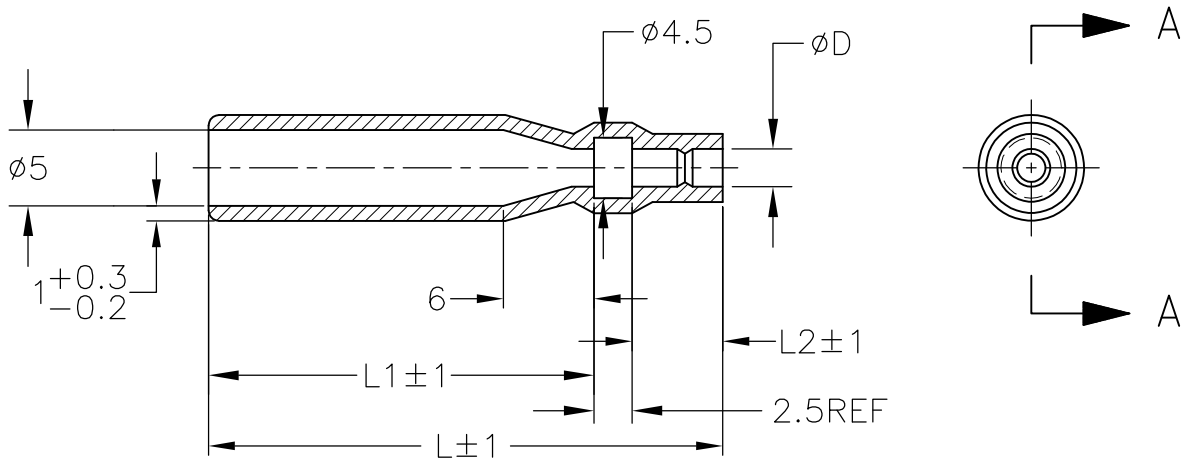
ALL RIGHTS RESERVED.

THIS DRAWING IS UNPUBLISHED.

By -
COPYRIGHT -

| | | | |
|---|--------------------------------|-------------------|---------------|
| DIMENSIONS: 単位：耗 mm | DWN A. YAMAGUCHI 31AUG00 | MATERIAL 材料 | FINISH 仕上 |
| | CHK D. MATSUURA 31AUG00 | TE Connectivity | |
| TOLERANCES UNLESS OTHERWISE SPECIFIED: 一般公差 | APVD K. BETSUI 31AUG00 | INSULATION SLEEVE | |
| | PRODUCT SPEC 製品規格 | NAME 名称 | RESTRICTED TO |
| 0 PLC ± - | APPLICATION SPEC 取付適用規格 | SIZE | CAGE CODE |
| 1 PLC ± - | WEIGHT | A4 | 00779 |
| 2 PLC ± - | | DRAWING NO 番号 | 170823 |
| 3 PLC ± - | | | |
| 4 PLC ± - | | | |
| ANGLES ± - | | | |
| | CUSTOMER DRAWING | SCALE 尺度 | 2:1 |
| | | SHEET | 6 OF 13 |
| | | REV | H4 |

| | | | | | | | |
|----------|-----------|-----------------|-----|-------------|------|-----|------|
| LOC J | DIST — | REVISIONS 変更 | | | DATE | DWN | APVD |
| | | P | LTR | DESCRIPTION | | | |
| | | | — | SEE SHEET 1 | — | — | — |



A - A

1. 材質：SS-108（一般）
2. 一般公差：±0.5
3. 適用製品規格は無し
- △ 品川商工発行のカタログと本図で寸法が異なる場合は本図を優先する。
5. この製品の名称はコネクタスリーブ 5DIA シリーズ シュワープラグリセプタクル

1. MATERIAL:SS-108(GENERAL)
2. GENERAL TOLERANCE: ±0.5
3. APPLICABLE PRODUCT SPEC NOT AVAILABLE
- △ IN THE EVENT OF CONFLICT BETWEEN THE REQUIREMENTS OF THIS CUSTOMER DRAWING AND THE SHINAGAWA SHOKO CO LTD CATALOG THIS CUSTOMER DRAWING SHALL TAKE PRECEDENCE
5. THIS PRODUCT NAME FLAG TYPE CONNECT SLEEVE 5DIA SERIES SHUR PLUG RECEPTACLE
- △ OBSOLETE PARTS: OBSOLETE CIS STREAMLINING PER D.RENAUD/D.SINISI

| | | | | | | | |
|---------------|-------|----|----|------|-----|----------------------|-----------------------|
| △ OBSOLETE | CLEAR | 33 | 6 | 24.5 | 2.8 | 215028 | 3-170823-5 |
| | | 47 | 7 | 37.5 | 3.2 | 215032-1 | 2-170823-9 |
| | COLOR | L | L2 | L1 | φD | △ SHINAGAWA SHOKO PN | PART NUMBER |

RELEASED FOR PUBLICATION

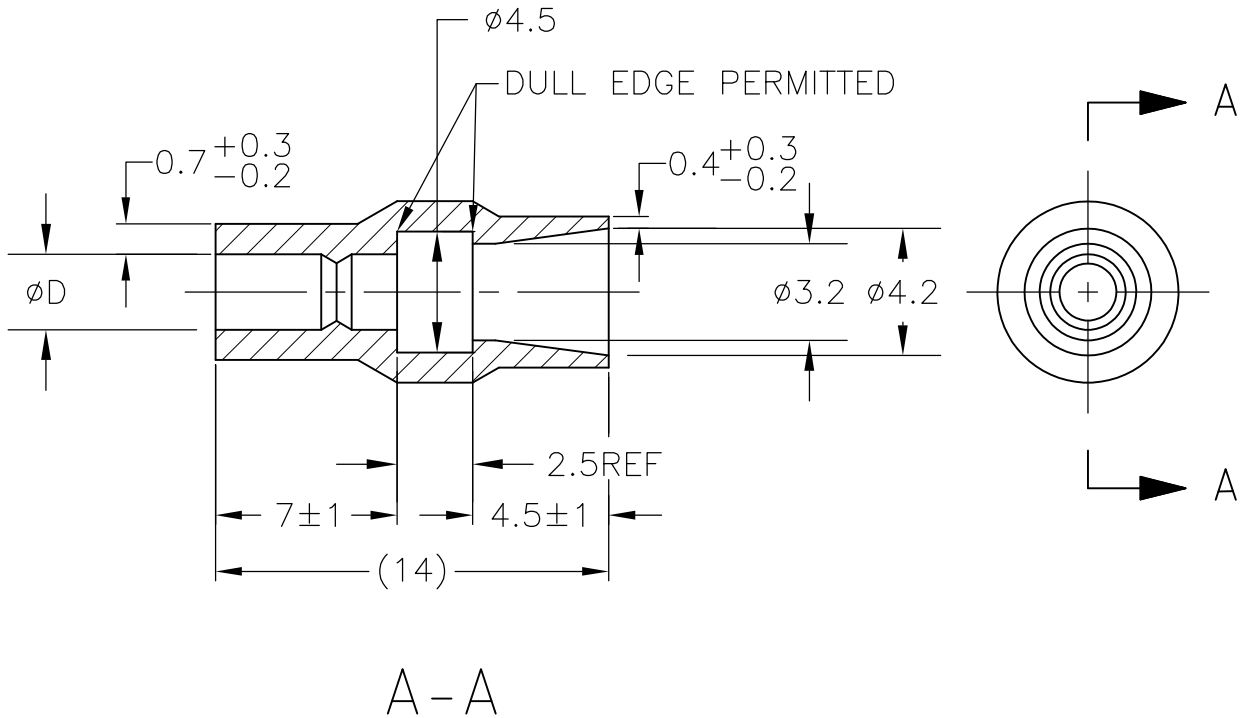
ALL RIGHTS RESERVED.

THIS DRAWING IS UNPUBLISHED.

COPYRIGHT - By -

| | | | | | | |
|--|----------------------------|------------------|-----------------|--------------|------------------|---------------------------------|
| DIMENSIONS: 単位：耗 mm | DWN A. YAMAGUCHI | 31AUG00 | MATERIAL 材料 | FINISH 仕上 | | |
| | CHK D. MATSUURA | 31AUG00 | TE Connectivity | | | |
| TOLERANCES UNLESS OTHERWISE SPECIFIED: 一般公差 | APVD K. BETSUI | 31AUG00 | | | | NAME 名称 INSULATION SLEEVE |
| 0 PLC ± - | PRODUCT SPEC 製品規格 | SIZE | | CAGE CODE | DRAWING NO 番号 | RESTRICTED TO — |
| 1 PLC ± - | APPLICATION SPEC 取付適用規格 | A4 | 00779 | C-170823 | | |
| 2 PLC ± - | WEIGHT | CUSTOMER DRAWING | | SCALE 尺度 | 2:1 | SHEET 7 OF 13 |
| 3 PLC ± - | | | | | | REV H4 |
| 4 PLC ± - | | | | | | |
| ANGLES ± - | | | | | | |

| | | | | | | | |
|----------|-----------|-----------------|-----|-------------|------|-----|------|
| LOC J | DIST — | REVISIONS 変更 | | | DATE | DWN | APVD |
| | | P | LTR | DESCRIPTION | | | |
| | | | | SEE SHEET 1 | — | — | — |



1. 材質：SS-108（一般）
2. 一般公差：±0.5
3. 適用製品規格は無し
- △ 品川商工発行のカタログと本図で寸法が異なる場合は本図を優先する。
5. この製品の名称はコネクタスリーブ 5DIAシリーズシュワープラグ

1. MATERIAL:SS-108(GENERAL)
2. GENERAL TOLERANCE: ±0.5
3. APPLICABLE PRODUCT SPEC NOT AVAILABLE
- △ IN THE EVENT OF CONFLICT BETWEEN THE REQUIREMENTS OF THIS CUSTOMER DRAWING AND THE SHINAGAWA SHOKO CO LTD CATALOG THIS CUSTOMER DRAWING SHALL TAKE PRECEDENCE
5. THIS PRODUCT NAME CONNECT SLEEVE 5DIA SERIES SHUR PLUG
- △ OBSOLETE PARTS: OBSOLETE CIS STREAMLINING PER D.RENAUD/D.SINISI

| | | | | | |
|------------|----------|-------|-----|----------------------|-------------|
| △ OBSOLETE | OBSELETE | CLEAR | 2.2 | 224222 | 5-170823-1 |
| | OBSELETE | | 2.8 | 224228 | 3-170823-4 |
| | | COLOR | φ D | △ SHINAGAWA SHOKO PN | PART NUMBER |

RELEASED FOR PUBLICATION

ALL RIGHTS RESERVED.

THIS DRAWING IS UNPUBLISHED.

COPYRIGHT - By -

| | | | | | |
|--|---------------------------------|---------------------|--------------------|---------------------------------|--------------------|
| DIMENSIONS: 単位： 耗 mm | DWN A. YAMAGUCHI 31AUG00 | MATERIAL 材料 — | FINISH 仕上 — | | |
| | CHK D. MATSUURA 31AUG00 | TE Connectivity | | | |
| TOLERANCES UNLESS OTHERWISE SPECIFIED: 一般公差 | APVD K. BETSUI 31AUG00 | | | NAME 名称 INSULATION SLEEVE | |
| 0 PLC ± - | PRODUCT SPEC 製品規格 — | SIZE A4 | CAGE CODE 00779 | DRAWING NO 番号 C-170823 | RESTRICTED TO — |
| 1 PLC ± - | APPLICATION SPEC 取付適用規格 — | SCALE 尺度 4:1 | | SHEET 8 OF 13 | REV H4 |
| 2 PLC ± - | WEIGHT — | CUSTOMER DRAWING | | | |
| 3 PLC ± - | | | | | |
| 4 PLC ± - | | | | | |
| ANGLES ± - | | | | | |

| | | | | | | | |
|----------|-----------|-----------------|-----|-------------|------|-----|------|
| LOC J | DIST — | REVISIONS 変更 | | | DATE | DWN | APVD |
| | | P | LTR | DESCRIPTION | | | |
| | | | — | SEE SHEET 1 | — | — | — |



A-A

1. 材質：SS-108（一般）
2. 一般公差：±0.5
3. 適用製品規格は無し
- △4 品川商工発行のカタログと本図で寸法が異なる場合は本図を優先する。
5. この製品の名称はコネクトスリーブ AMP00シリーズ

1. MATERIAL:SS-108(GENERAL)
2. GENERAL TOLERANCE: ±0.5
3. APPLICABLE PRODUCT SPEC NOT AVAILABLE
- △4 IN THE EVENT OF CONFLICT BETWEEN THE REQUIREMENTS OF THIS CUSTOMER DRAWING AND THE SHINAGAWA SHOKO CO LTD CATALOG THIS CUSTOMER DRAWING SHALL TAKE PRECEDENCE
5. THIS PRODUCT NAME FLAG TYPE CONNECT SLEEVE AMP00 SERIES
- △6 OBSOLETE PARTS: OBSOLETE CIS STREAMLINING PER D.RENAUD/D.SINISI

| | | | |
|-------------|-------|----------------------|-------------|
| △6 OBSOLETE | CLEAR | 230032-1 | 2-170823-1 |
| | COLOR | △ SHINAGAWA SHOKO PN | PART NUMBER |

RELEASED FOR PUBLICATION

ALL RIGHTS RESERVED.

THIS DRAWING IS UNPUBLISHED.

COPYRIGHT - By -

| | | | |
|--|---------------------------------|------------------------------|--------------------|
| DIMENSIONS: 単位：耗 mm | DWN A. YAMAGUCHI 31AUG00 | MATERIAL 材料 — | FINISH 仕上 — |
| | CHK D. MATSUURA 31AUG00 | TE Connectivity | |
| TOLERANCES UNLESS OTHERWISE SPECIFIED: 一般公差 | APVD K. BETSUI 31AUG00 | | |
| 0 PLC ± - | PRODUCT SPEC 製品規格 — | SIZE A4 | CAGE CODE 00779 |
| 1 PLC ± - | APPLICATION SPEC 取付適用規格 — | DRAWING NO 番号 C-170823 | RESTRICTED TO — |
| 2 PLC ± - | WEIGHT — | SCALE 尺度 2:1 | |
| 3 PLC ± - | | SHEET 9 OF 13 | |
| 4 PLC ± - | | REV H4 | |
| ANGLES ± - | | CUSTOMER DRAWING | |

THIS DRAWING IS UNPUBLISHED. RELEASED FOR PUBLICATION
 © COPYRIGHT - By - ALL RIGHTS RESERVED.

| LOC | DIST | REVISIONS | | | | | |
|-----|------|-----------|-----|-------------|------|-----|------|
| | | P | LTR | DESCRIPTION | DATE | DWN | APVD |
| J | - | - | - | SEE SHEET 1 | - | - | - |

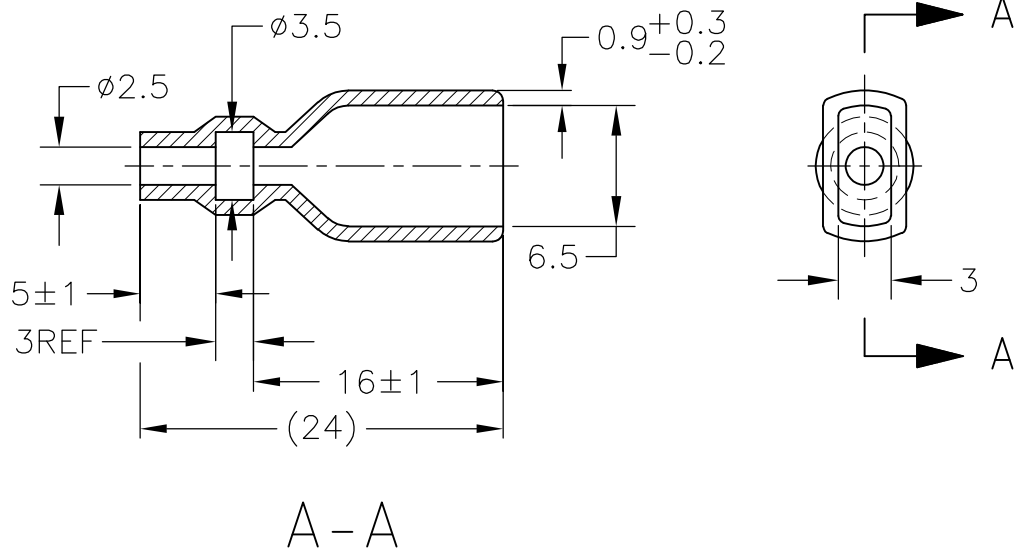


- 1. 材質：SS-108（一般）
- 2. 一般公差：±0.5
- 3. 適用製品規格は無し
- △ 品川商工発行のカタログと本図で寸法が異なる場合は本図を優先する。
- 1. MATERIAL:SS-108(GENERAL)
- 2. GENERAL TOLERANCE: ±0.5
- 3. APPLICABLE PRODUCT SPEC NOT AVAILABLE
- △ IN THE EVENT OF CONFLICT BETWEEN THE REQUIREMENTS OF THIS CUSTOMER DRAWING AND THE SHINAGAWA SHOKO CO LTD CATALOG THIS CUSTOMER DRAWING SHALL TAKE PRECEDENCE
- △ OBSOLETE PARTS: OBSOLETE CIS STREAMLINING PER D.RENAUD/D.SINISI

| | | | | | | | | |
|------------|--------|------|------|-----|------|--------|--------------------|-----------------------|
| OBSOLETE | YELLOW | 24 | 16.5 | 2.5 | 4.5 | 2.5 | 238025-2 | 4-170823-8 |
| OBSOLETE | RED | | | | | 2.5 | 238025-1 | 4-170823-7 |
| OBSOLETE | CLEAR | 25 | 17.5 | 3 | 5 | 4 | 238040 | 4-170823-9 |
| OBSOLETE | BROWN | | | | | | 238032-3 | 3-170823-2 |
| OBSOLETE | BLUE | 24.5 | 17.0 | 2.5 | 4.7 | 3.2 | 238032-2 | 3-170823-1 |
| △ OBSOLETE | CLEAR | | 16.5 | | | 3.5 | 238035-3 | 2-170823-7 |
| | | 40.5 | 32.5 | 3 | 4.5 | 3.5 | 238035-2 | 2-170823-0 |
| | | 35.5 | 27.5 | | | 3.5 | 238035-1 | 1-170823-9 |
| | | 27 | 19.5 | 2.5 | 4.7 | 3.2 | 238032-1 | 1-170823-8 |
| △ OBSOLETE | | 45 | 37.5 | 3 | 3.2 | 2 | 238020-1 | 4-170823-7 |
| | | 25 | 17.5 | 2.5 | 5.3 | 3.8 | 238038 | 1-170823-6 |
| | | 24 | 16.0 | 3 | 4.5 | 3.5 | 238035 | 1-170823-5 |
| △ OBSOLETE | | 27 | 19.5 | | 7.5 | 6 | 238060 | 1-170823-7 |
| | | 25 | 17.5 | 2.5 | 6.3 | 4.8 | 238048 | 170823-6 |
| | | 24 | 16.5 | | 4.7 | 3.2 | 238032 | 170823-4 |
| | | 16.0 | 3 | 3.2 | 2 | 238020 | 170823-3 | |
| | | | 3 | 4.5 | 2.5 | 238025 | 170823-2 | |
| | COLOR | L | L2 | L1 | φ D1 | φ D | SHINAGAWA SHOKO PN | PART NUMBER |

| | | | | | | | |
|---|--|--------------------------------|----------------------------|--------------------|--------------------|------------------------------|--------------------|
| THIS DRAWING IS A CONTROLLED DOCUMENT. | | DWN A. YAMAGUCHI 31AUG00 | TE Connectivity | | | | |
| DIMENSIONS: 単位： 耗 mm | | CHK D. MATSUURA 31AUG02 | | | | | |
| TOLERANCES UNLESS OTHERWISE SPECIFIED: 一般公差 | | APVD K. BETSUI 31AUG02 | NAME 名称 | | | | |
| 0 PLC ± - 1 PLC ± - 2 PLC ± - 3 PLC ± - 4 PLC ± - ANGLES ± - | | PRODUCT SPEC 製品規格 | INSULATION SLEEVE | | | | |
| MATERIAL 材料 | | FINISH 仕上 | APPLICATION SPEC 取付適用規格 | SIZE A3 | CAGE CODE 00779 | DRAWING NO 番号 C-170823 | RESTRICTED TO - |
| CUSTOMER DRAWING | | | WEIGHT - | SCALE 尺度 2:1 | SHEET 10 OF 13 | REV H4 | |

| | | | | | | | |
|----------|-----------|-----------------|-----|-------------|------|-----|------|
| LOC J | DIST — | REVISIONS 変更 | | | DATE | DWN | APVD |
| | | P | LTR | DESCRIPTION | | | |
| | | | — | SEE SHEET 1 | — | — | — |



1. 材質：SS-108（一般）
2. 一般公差：±0.5
3. 適用製品規格は無し
- △ 品川商工発行のカタログと本図で寸法が異なる場合は本図を優先する。
5. この製品の名称はコネクタスリーブAMP205シリーズ

1. MATERIAL:SS-108(GENERAL)
2. GENERAL TOLERANCE: ±0.5
3. APPLICABLE PRODUCT SPEC NOT AVAILABLE
- △ IN THE EVENT OF CONFLICT BETWEEN THE REQUIREMENTS OF THIS CUSTOMER DRAWING AND THE SHINAGAWA SHOKO CO LTD CATALOG THIS CUSTOMER DRAWING SHALL TAKE PRECEDENCE
5. THIS PRODUCT NAME FLAG TYPE CONNECT SLEEVE AMP205 SERIES

| | | |
|-------|----------------------|-------------|
| CLEAR | 236525 | 4-170823-1 |
| COLOR | △ SHINAGAWA SHOKO PN | PART NUMBER |

THIS DRAWING IS UNPUBLISHED. ALL RIGHTS RESERVED.

COPYRIGHT - By -

| | | | | | |
|--|--------------------------------|------------------|--------------|------------------|-------------------|
| DIMENSIONS: 単位： 耗 mm | DWN A. YAMAGUCHI 31AUG00 | MATERIAL 材料 | FINISH 仕上 | | |
| | CHK D. MATSUURA 31AUG00 | TE Connectivity | | | |
| TOLERANCES UNLESS OTHERWISE SPECIFIED: 一般公差 | APVD K. BETSUI 31AUG00 | | | NAME 名称 | INSULATION SLEEVE |
| 0 PLC ± - | PRODUCT SPEC 製品規格 | SIZE | CAGE CODE | DRAWING NO 番号 | RESTRICTED TO |
| 1 PLC ± - | APPLICATION SPEC 取付適用規格 | A4 | 00779 | 170823 | — |
| 2 PLC ± - | WEIGHT | CUSTOMER DRAWING | | SCALE 尺度 | 2:1 |
| 3 PLC ± - | | | | SHEET | 11 OF 13 |
| 4 PLC ± - | | | | REV | H4 |
| ANGLES ± - | | | | | |

| | | | | | | | | |
|----------|-----------|-----------------|-----|-------------|---|------|-----|------|
| LOC J | DIST — | REVISIONS 変更 | | | | DATE | DWN | APVD |
| | | P | LTR | DESCRIPTION | | | | |
| | | — | — | SEE SHEET 1 | — | — | — | |



1. 材質：SS-108（一般）
2. 一般公差：±0.5
3. 適用製品規格は無し
- △4 品川商工発行のカタログと本図で寸法が異なる場合は本図を優先する。
5. この製品の名称はコネクタスリーブ AMP187シリーズ

1. MATERIAL:SS-108(GENERAL)
2. GENERAL TOLERANCE: ±0.5
3. APPLICABLE PRODUCT SPEC NOT AVAILABLE
- △4 IN THE EVENT OF CONFLICT BETWEEN THE REQUIREMENTS OF THIS CUSTOMER DRAWING AND THE SHINAGAWA SHOKO CO LTD CATALOG THIS CUSTOMER DRAWING SHALL TAKE PRECEDENCE
5. THIS PRODUCT NAME FLAG TYPE CONNECT SLEEVE AMP187 SERIES
- △6 OBSOLETE PARTS: OBSOLETE CIS STREAMLINING PER D.RENAUD/D.SINISI

| | | | | | | | |
|-------------|-------|----|------|-----|-----|----------------------|-----------------------|
| △6 OBSOLETE | CLEAR | 23 | 15.5 | 3.3 | 1.8 | 235818 | 2-170823-5 |
| | | 20 | 12.5 | 3.5 | 2.5 | 235825-1 | 1-170823-4 |
| | | 23 | 15.5 | 3.7 | 2.2 | 235822 | 1-170823-3 |
| | COLOR | L | L1 | φD2 | φD1 | △ SHINAGAWA SHOKO PN | PART NUMBER |

THIS DRAWING IS UNPUBLISHED. ALL RIGHTS RESERVED.

| | | | | | |
|--|--------------------------------|--------------------|--------------------|---------------------------------|--------------------|
| DIMENSIONS: 単位：耗 mm | DWN A. YAMAGUCHI 31AUG00 | MATERIAL 材料 | FINISH 仕上 | | |
| | CHK D. MATSUURA 31AUG00 | TE Connectivity | | | |
| TOLERANCES UNLESS OTHERWISE SPECIFIED: 一般公差 | APVD K. BETSUI 31AUG00 | | | NAME 名称 INSULATION SLEEVE | |
| | PRODUCT SPEC 製品規格 | SIZE A4 | CAGE CODE 00779 | DRAWING NO 番号 C-170823 | RESTRICTED TO — |
| 0 PLC ± - | APPLICATION SPEC 取付適用規格 | SCALE 尺度 2:1 | | SHEET 12 OF 13 | REV H4 |
| 1 PLC ± - | WEIGHT | CUSTOMER DRAWING | | | |
| 2 PLC ± - | | | | | |
| 3 PLC ± - | | | | | |
| 4 PLC ± - | | | | | |
| ANGLES ± - | | | | | |

THIS DRAWING IS UNPUBLISHED. RELEASED FOR PUBLICATION
 © COPYRIGHT - By - ALL RIGHTS RESERVED.

| LOC | DIST | REVISIONS | | | | | |
|-----|------|-----------|-----|-------------|------|-----|------|
| J | - | P | LTR | DESCRIPTION | DATE | DWN | APVD |
| | | - | | SEE SHEET 1 | - | - | - |



- 1. 材質：SS-108（一般）
- 2. 一般公差：±0.5
- 3. 適用製品規格は無し
- △4 品川商工発行のカタログと本図で寸法が異なる場合は本図を優先する。
- 1. MATERIAL:SS-108(GENERAL)
- 2. GENERAL TOLERANCE: ±0.5
- 3. APPLICABLE PRODUCT SPEC NOT AVAILABLE
- △4 IN THE EVENT OF CONFLICT BETWEEN THE REQUIREMENTS OF THIS CUSTOMER DRAWING AND THE SHINAGAWA SHOKO CO LTD CATALOG THIS CUSTOMER DRAWING SHALL TAKE PRECEDENCE
- △5 OBSOLETE PARTS: OBSOLETE CIS STREAMLINING PER D.RENAUD/D.SINISI

| | | | | | | | | | | |
|----|----------|--------|------|------|-----|-----------|------------|--------|--------------------|-------------|
| △5 | OBSOLETE | CLEAR | 37 | 29.5 | 5 | 3.5 | 2.5 | 2 | 234025-4 | 5-170823-4 |
| | OBSOLETE | | | | | 4.3 | 2.8 | 2.1 | 234028 | 5-170823-3 |
| △5 | OBSOLETE | YELLOW | 21 | 13.5 | | 3.5 | 2.5 | 2 | 234025-3 | 4-170823-6 |
| | OBSOLETE | RED | | | | 234025-2 | 4-170823-5 | | | |
| | OBSOLETE | BLACK | | | | 3.3 | 1.8 | 2.1 | 234018-4 | 2-170823-4 |
| | OBSOLETE | CLEAR | 23 | 15.5 | | 3.5 | 2.5 | | 234025-1 | 2-170823-3 |
| △5 | OBSOLETE | | 30 | 22.5 | | 3.8 | 3 | 2 | 234030-1 | 2-170823-2 |
| | | | 23 | 15.5 | | 3.4 | 1.8 | 2.1 | 234018-2 | 1-170823-2 |
| | | | 21 | 13.5 | | 234018-1 | 1-170823-1 | | | |
| | | 18 | 12.5 | 3 | | 3.8 | 3 | 2 | 234030 | 1-170823-0 |
| | | 21 | 13.5 | 5 | 3.3 | 1.8 | 2.1 | 234018 | 170823-9 | |
| | | | | | 2.8 | 1.6 | | 234016 | 170823-8 | |
| | | | | | 3.5 | 2.5 | 2 | 234025 | 170823-1 | |
| | COLOR | | L | L2 | L1 | $\phi d2$ | $\phi d1$ | W | SHINAGAWA SHOKO PN | PART NUMBER |

| | | | | | |
|---|--|--------------------------------|------------------------------|-------------------|--------------------|
| THIS DRAWING IS A CONTROLLED DOCUMENT. | | DWN A. YAMAGUCHI 31AUG00 | STE TE Connectivity | | |
| DIMENSIONS: 単位：mm | | CHK D. MATSUURA 31AUG02 | | | |
| TOLERANCES UNLESS OTHERWISE SPECIFIED: 一般公差 | | APVD K. BETSUI 31AUG02 | NAME 名称 | | |
| 0 PLC ± - 1 PLC ± - 2 PLC ± - 3 PLC ± - 4 PLC ± - ANGLES ± - | | PRODUCT SPEC 製品規格 | INSULATION SLEEVE | | |
| MATERIAL 材料 | | FINISH 仕上 | APPLICATION SPEC 取付適用規格 | SIZE A3 | CAGE CODE 00779 |
| | | WEIGHT | DRAWING NO 番号 C-170823 | RESTRICTED TO | |
| CUSTOMER DRAWING | | | SCALE 尺度 2:1 | SHEET 13 OF 13 | REV H4 |

X-ON Electronics

Largest Supplier of Electrical and Electronic Components

Click to view similar products for [Terminals](#) category:

Click to view products by [TE Connectivity](#) manufacturer:

Other Similar products are found below :

[00-054007-01074-6](#) [00-054007-70206-1](#) [00-054007-70210-8](#) [00-054007-70217-7](#) [00-054007-70228-3](#) [00-054007-70256-6](#) [00-054007-70316-7](#) [00-054007-49560-4](#) [00-054007-70209-2](#) [00-054007-70231-3](#) [00-054007-70241-2](#) [00-054007-70242-9](#) [00-054007-70246-7](#) [00-054007-70263-4](#) [00-054007-70288-7](#) [00-054007-70290-0](#) [00-054007-70300-6](#) [00-054007-70304-4](#) [01-2900-1-04412](#) [00581P0075](#) [600TS-10](#) [605601-1](#) [60598-1-CUT-TAPE](#) [60617-1-C](#) [61314-6-C](#) [61810-3](#) [626-0194](#) [63-S](#) [M55155/059I03](#) [M55155/079C01](#) [M55155/099B03](#) [M55155/099H02](#) [M55155/109H01](#) [M55155/12XH05](#) [M55155/29-5S](#) [M55155/29XJ08](#) [M55155/30-6S](#) [M55155/30-9S](#) [M55155/30XI09](#) [M6-14RSX](#) [696683-1](#) [696861-1](#) [696999-1](#) [M86700006](#) [D18-110B-C](#) [D18-110B-M](#) [701-1936](#) [701-1955](#) [701-2003](#) [701-2007](#)