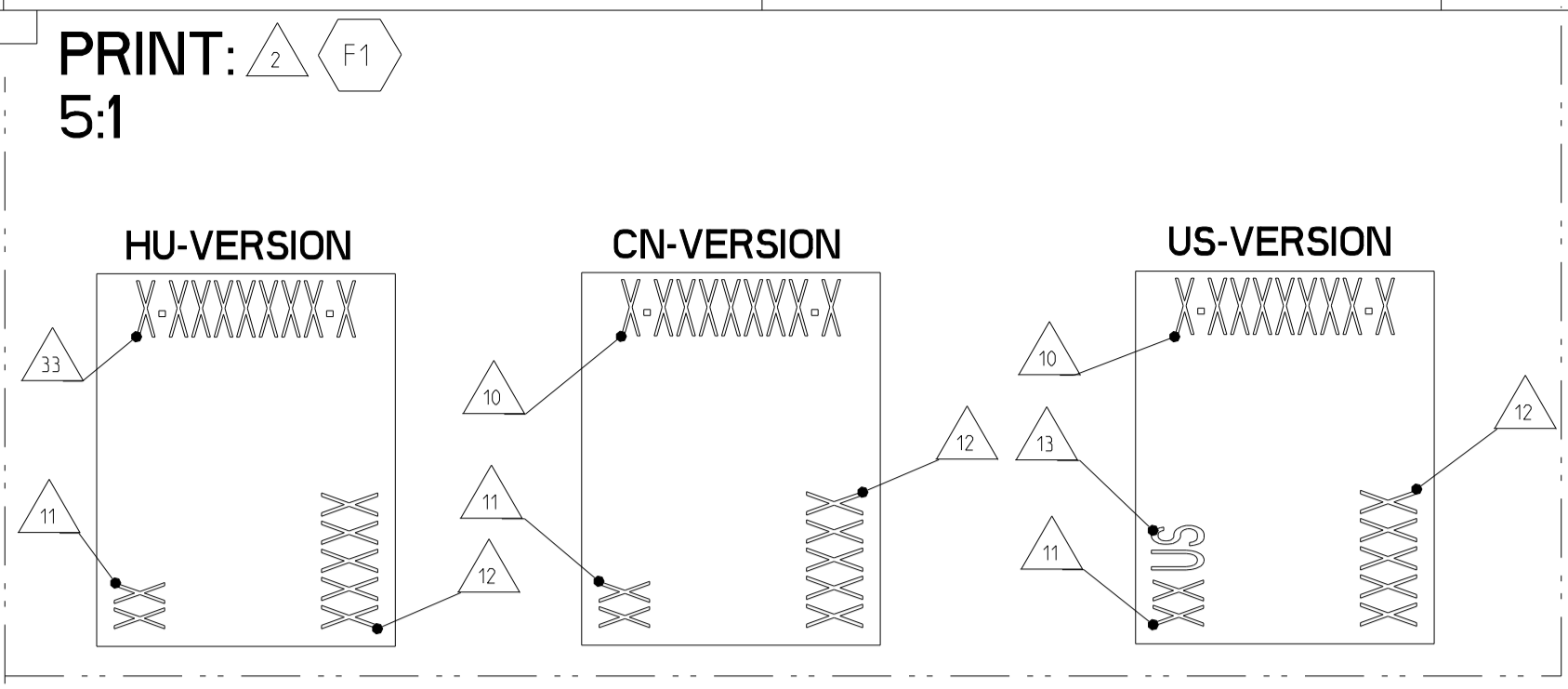
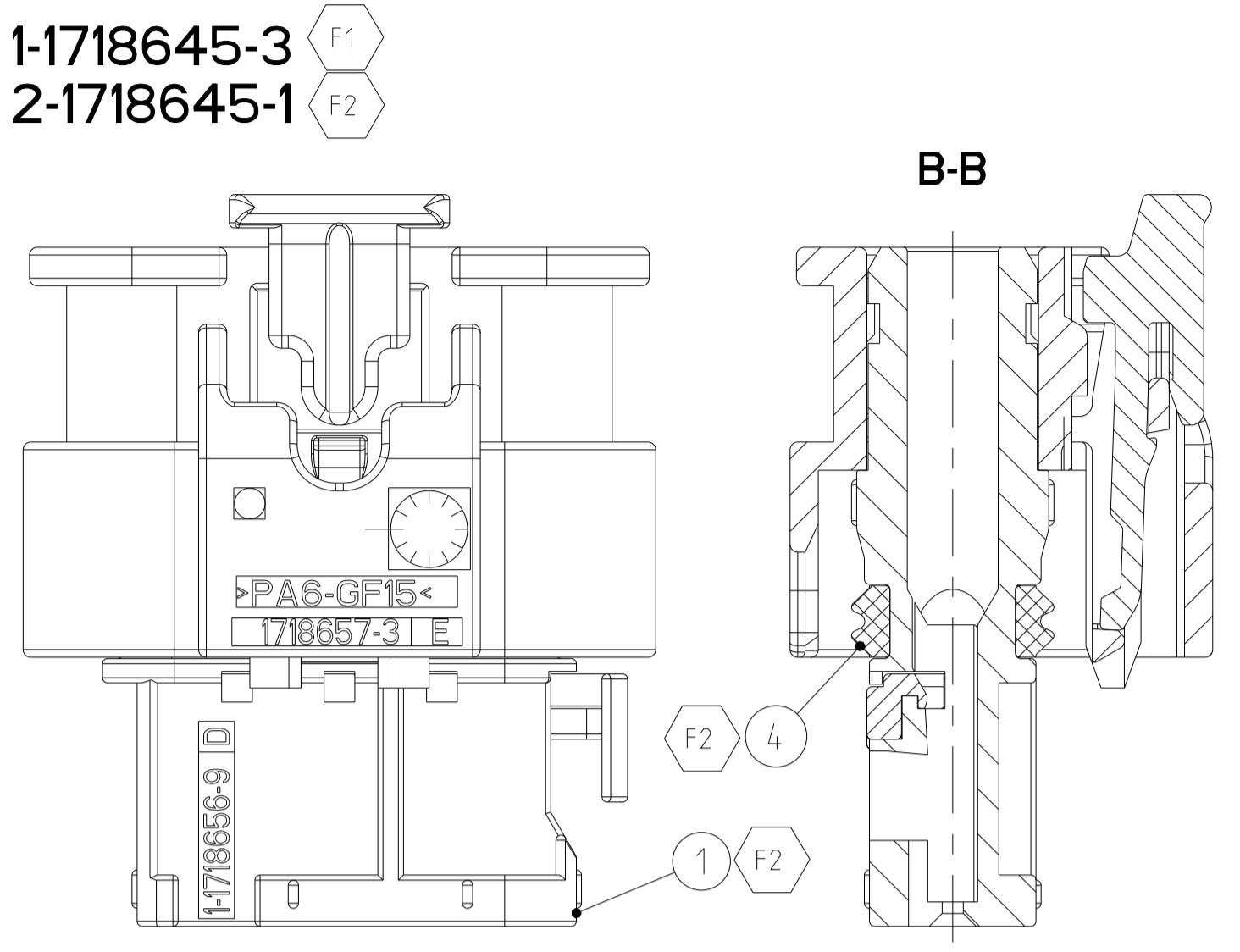
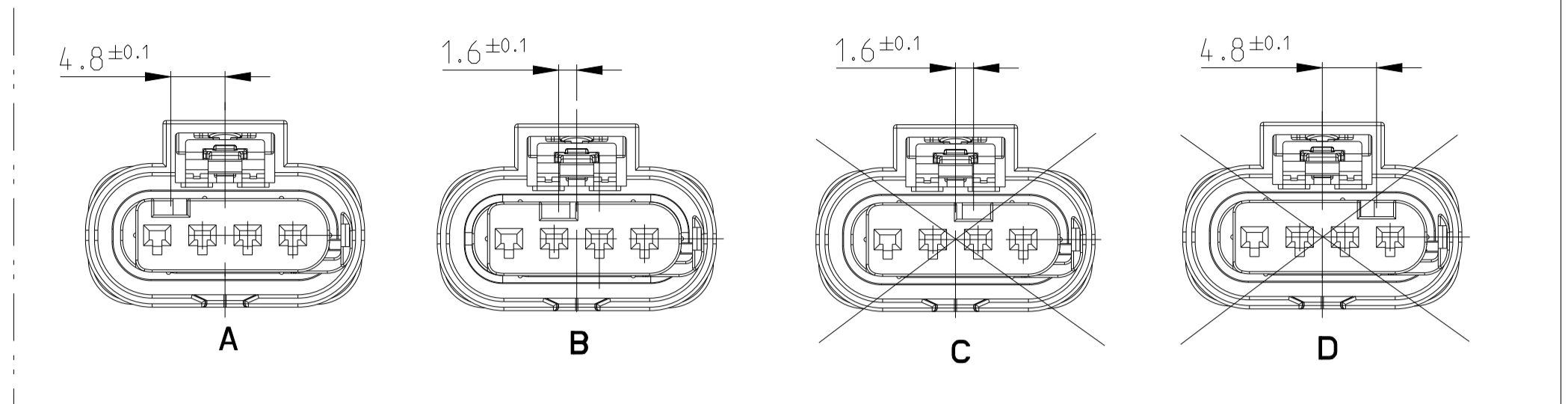


TE Connectivity Ltd. company. All Rights Reserved.  
**VERSION WITH NEW REVISION REC. HOUSING AND SEAL**

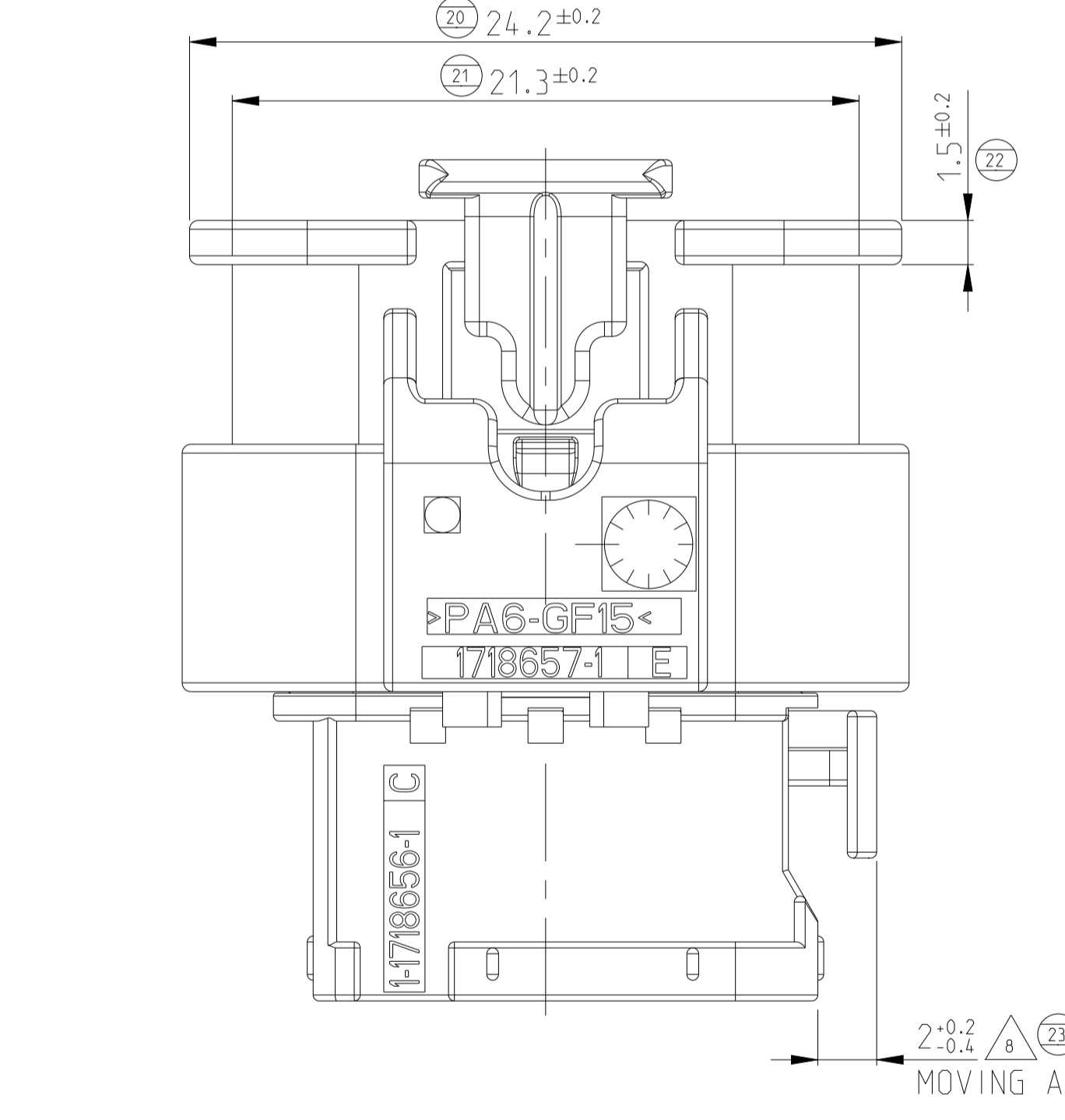
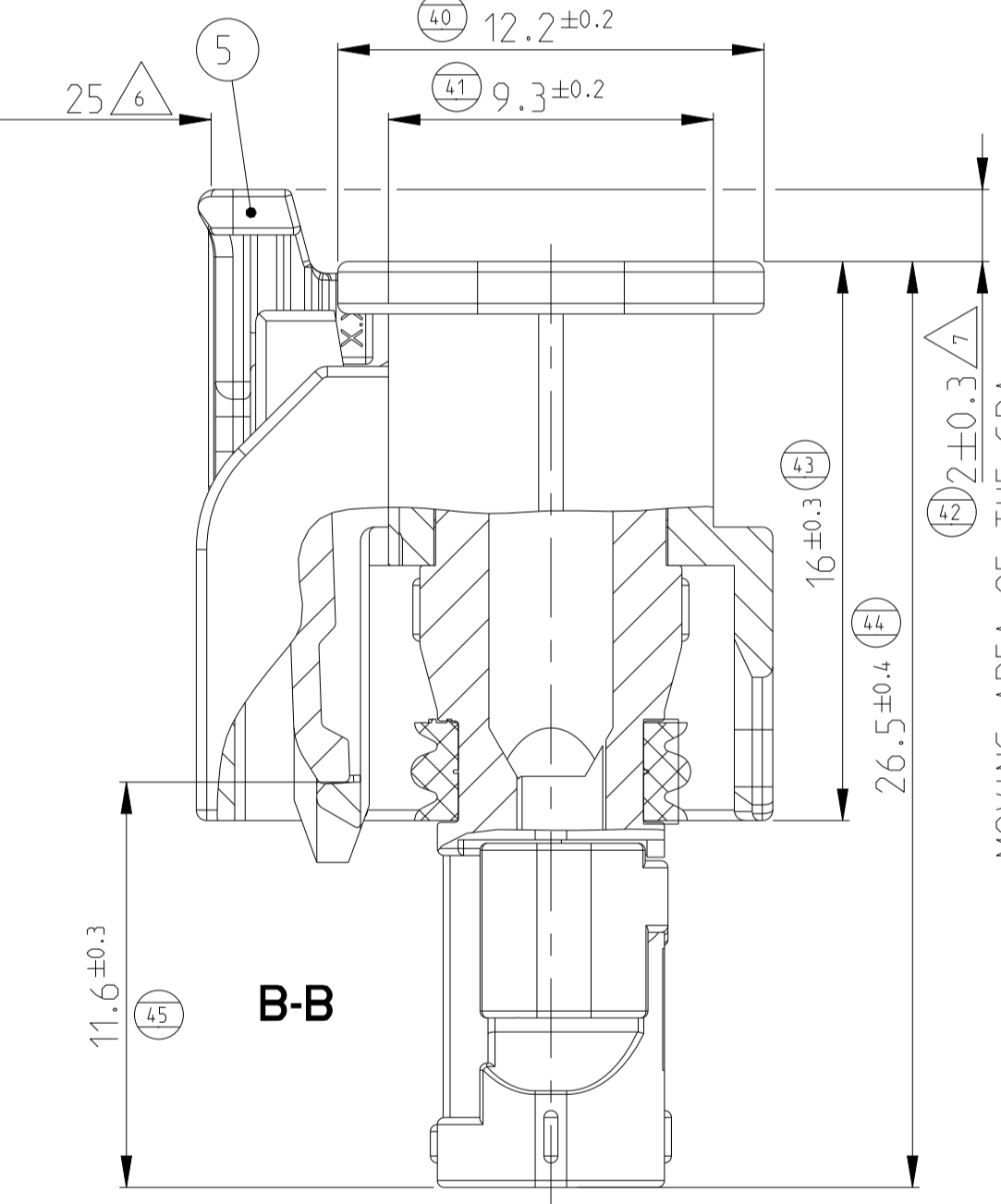
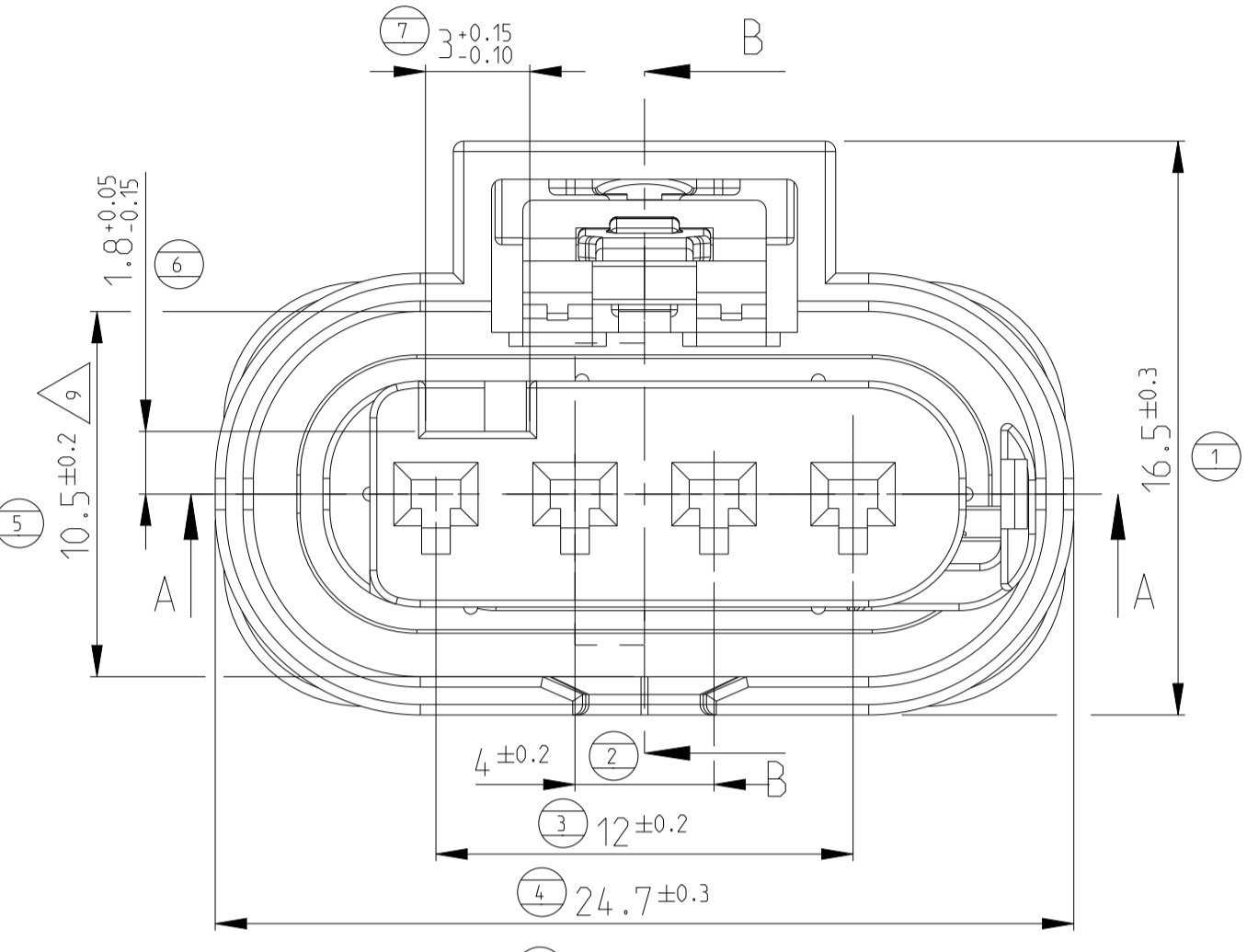
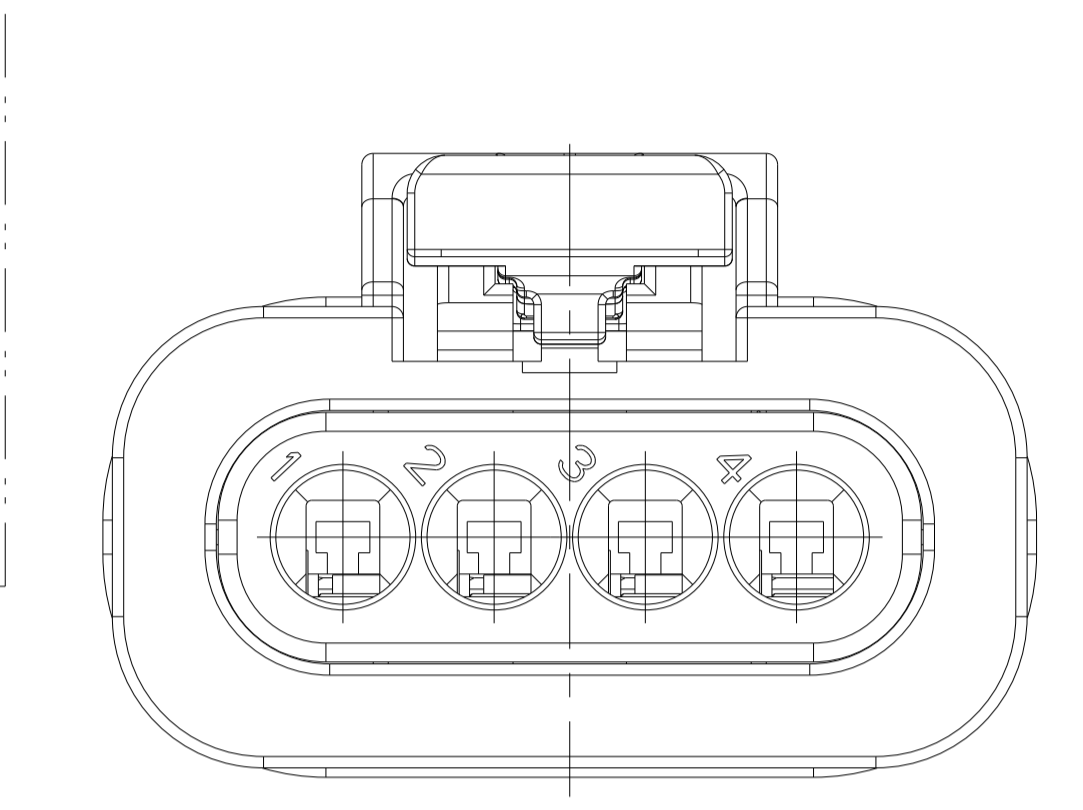
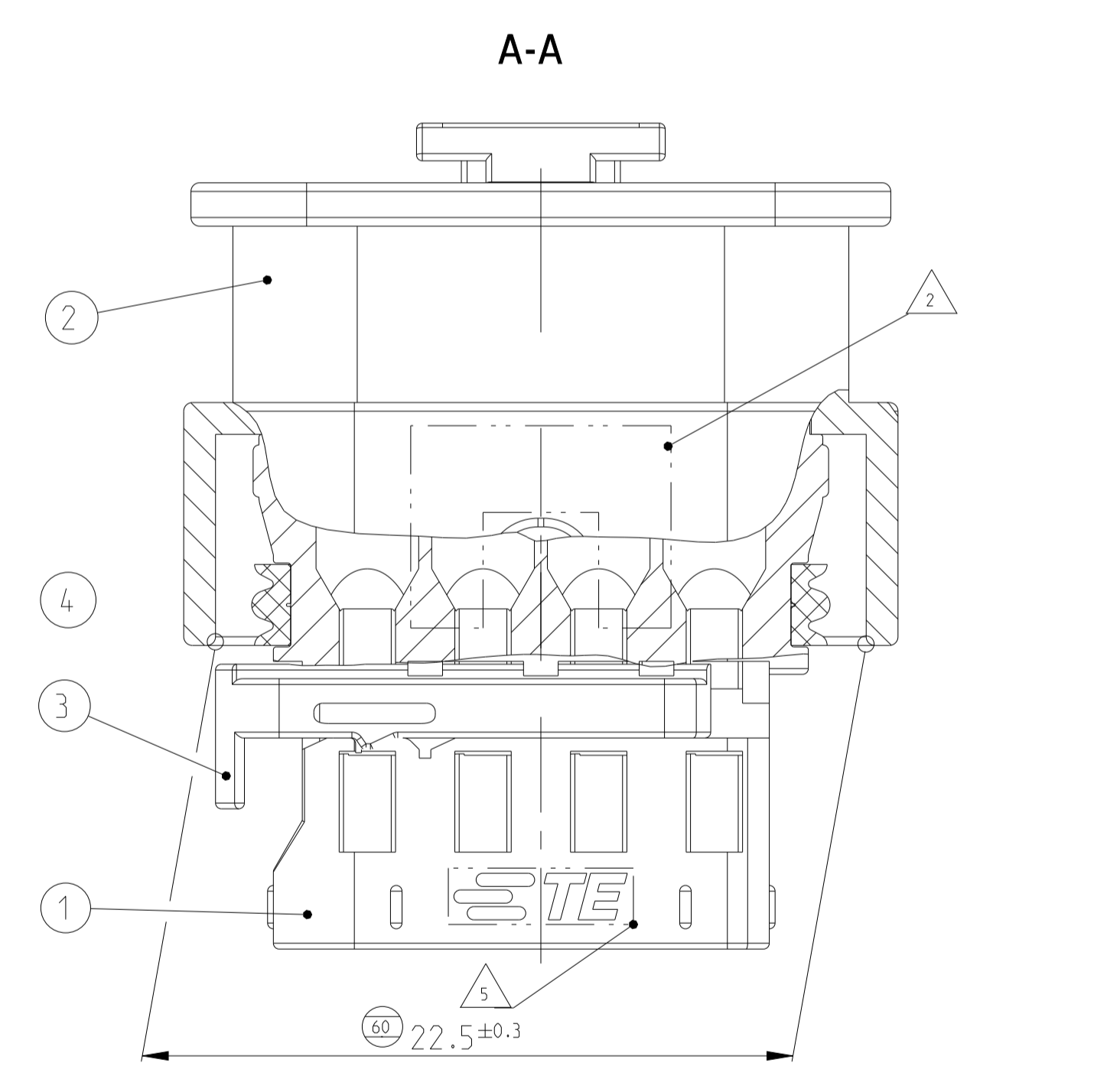


**CODINGS M 2:1**

REVISIONS				
P	LTN	DESCRIPTION	DATE	APVD
E	ECR-12-006206		04APR2012	SZN GB
F1		INNER HSG AND SEAL DESIGN IMPROVED	25JUN2020	SZN LSZ
		GLOBAL VERSIONS ADDED		
F2		2-1718645-1 - Seal and Rec. Hsg. design impr.	08JUL2021	SZN LSZ

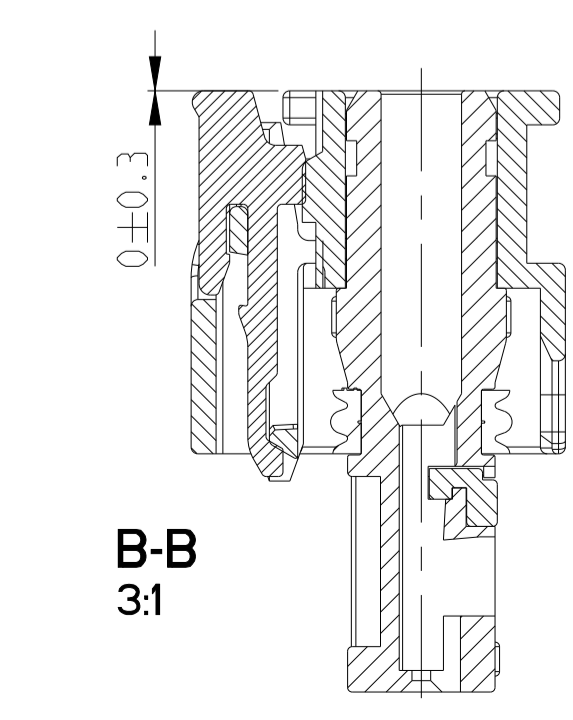


- NOTES:**
- MAX. WIRE SIZE RANGE 1.0 mm<sup>2</sup> FLR PERMITTED FOR CAVITY-Ø 3.55MM  
 QUANTITY SEE WIRE HARNESS DRAWING FOR PERMISSIBLE CURRENT CARRYING CAPACITY OF THE SINGLE CONTACT SEE PRODUCT SPECIFICATION NO. 108-18782
  - AREA FOR PRINT
  - USABLE CONTACTS MCON 1.2 LL  
 SEE TE-NO. 1452674, SINGLE WIRE SEAL-VERSION
  - ACCORDING TO INTERFACE DRAWING 114-18679-3
  - SUPPLIER-MARK
  - SPACE OF ACTIVITY
  - SUPPLY CONDITION: CPA IN PRELOCKED POSITION
  - SUPPLY CONDITION: RETAINER IN PRELOCKED POSITION
  - WARPAGE PERMITTED TO MAX. -0.5mm
  - TE ORDER-NO.
  - ASSEMBLY LINE SEGMENT IDENTIFICATION
  - DATE CODE (DDYY)
  - DIVERGENT MARKING FOR PARTS FROM CHINESE AND U.S. PRODUCTION
- 1-...-1 AS SHOWN

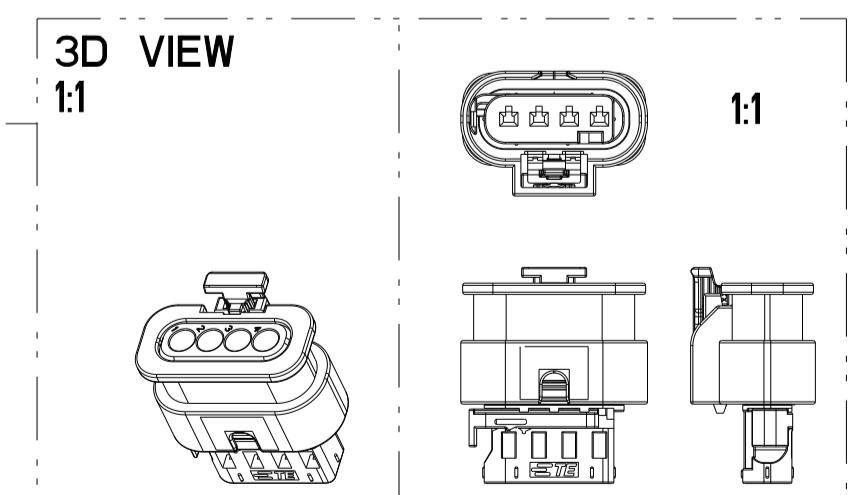
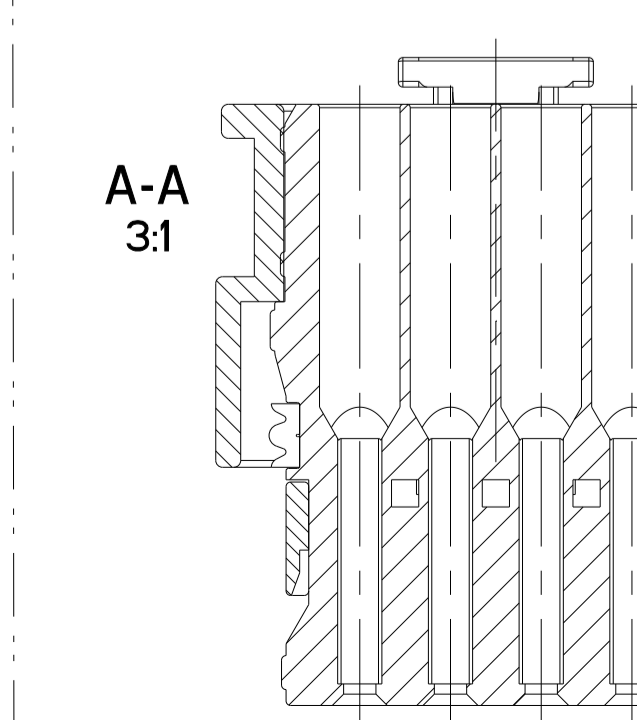


TE-ORDER-NO.	COD	DEFINITION	REV	QTY	DEFINITION	MATERIAL	SURFACE/COLOUR	ITEM
1-1718645-3	A	4pos. MCON 1.2 - LL Connector, Sealed	F	1	MCON 1.2 - CPA	PA46-GF15	RED	5
				1	4pos. MCON 1.2 - Seal	MVQ	NATURE	4
				1	4pos. MCON 1.2 - Retainer	PA66-GF15	VIOLET	3
				1	4pos. MCON 1.2 - Protec. Cover	PA6-GF15	YELLOW	2
2-1718645-1	B	4pos. MCON 1.2 - LL Connector, Sealed	F2	1	MCON 1.2 - CPA	PA46-GF15	GREY	5
				1	4pos. MCON 1.2 - Seal	MVQ	NATURE	4
				1	4pos. MCON 1.2 - Retainer	PA66-GF15	VIOLET	3
				1	4pos. MCON 1.2 - Protec. Cover	PA6-GF15	BLACK	2
1-1718645-1	A	4pos. MCON 1.2 - LL Connector, Sealed	E	1	4pos. MCON 1.2 - Rec. Housing	PA66-GF30	NATURE	1
				1	MCON 1.2 - CPA	PA46-GF15	GREY	5
				1	4pos. MCON 1.2 - Seal	MVQ	NATURE	4
				1	4pos. MCON 1.2 - Retainer	PA66-GF15	VIOLET	3
				1	4pos. MCON 1.2 - Protec. Cover	PA6-GF15	BLACK	2
				1	4pos. MCON 1.2 - Rec. Housing	PA66-GF30	BLACK	1

**CPA IN END POSITION**



**RETAINER IN END POSITION**



TOLERANCES UNLESS OTHERWISE SPECIFIED ACC. TO DIN 16901-140@CENTRIC TO NOMINAL DIMENSION, EDITION 1982-11 SHALL APPLY. Freimessigkeiten nach DIN 16901-140@. Es gilt die Ausgabe 1982-11.

THIS DRAWING IS A CONTROLLED DOCUMENT.

DIMENSIONS:	TOLERANCES UNLESS OTHERWISE SPECIFIED:	DWN	G. Roth	16FEB2005
mm	0 PLC	CHK	A. Schraebel	16FEB2005
	1 PLC	APVD	J. Woller	
	2 PLC			
	3 PLC			
	4 PLC			
	ANGLES			
	FINISH			

MATERIAL: -  
 WEIGHT: 5 g  
 CUSTOMER DRAWING

**STE** TE Connectivity

NAME: 4pos. MCON 1.2 - LL Connector, Sealed

SIZE: A1 CAGE CODE: 00779 DRAWING NO: 1718645

RESTRICTED TO: REV F2

## X-ON Electronics

Largest Supplier of Electrical and Electronic Components

*Click to view similar products for [Automotive Connectors](#) category:*

*Click to view products by [TE Connectivity](#) manufacturer:*

Other Similar products are found below :

[003-018-000](#) [60403001](#) [60993906-B](#) [M902-2131](#) [M902-2161](#) [M902-2344](#) [72.330.1035.1](#) [73.353.4028.0](#) [F119300-B](#) [F166900](#) [F258300-B](#)  
[F358300-B](#) [F407400](#) [F444110](#) [F487000](#) [F509500B-B](#) [827153-1](#) [8N1515-32-24P](#) [9-1326729-8](#) [925474-1](#) [928905-1](#) [964562-4](#) [968782-1](#)  
[GT17SA-8DS-HU](#) [98891-1012](#) [98947-1016](#) [12004147](#) [12004475-L](#) [12010290](#) [12010309-B](#) [12015454](#) [12020219-B](#) [12041318-B](#) [12052225-](#)  
[L](#) [12052466](#) [12064869](#) [12004327-B](#) [12015308](#) [12015384](#) [12015909](#) [1-21030-1](#) [12041254](#) [12041318](#) [12047946-B](#) [12047957](#) [12047957-L](#)  
[12059473](#) [12066261](#) [12110546](#) [12110546-B](#)