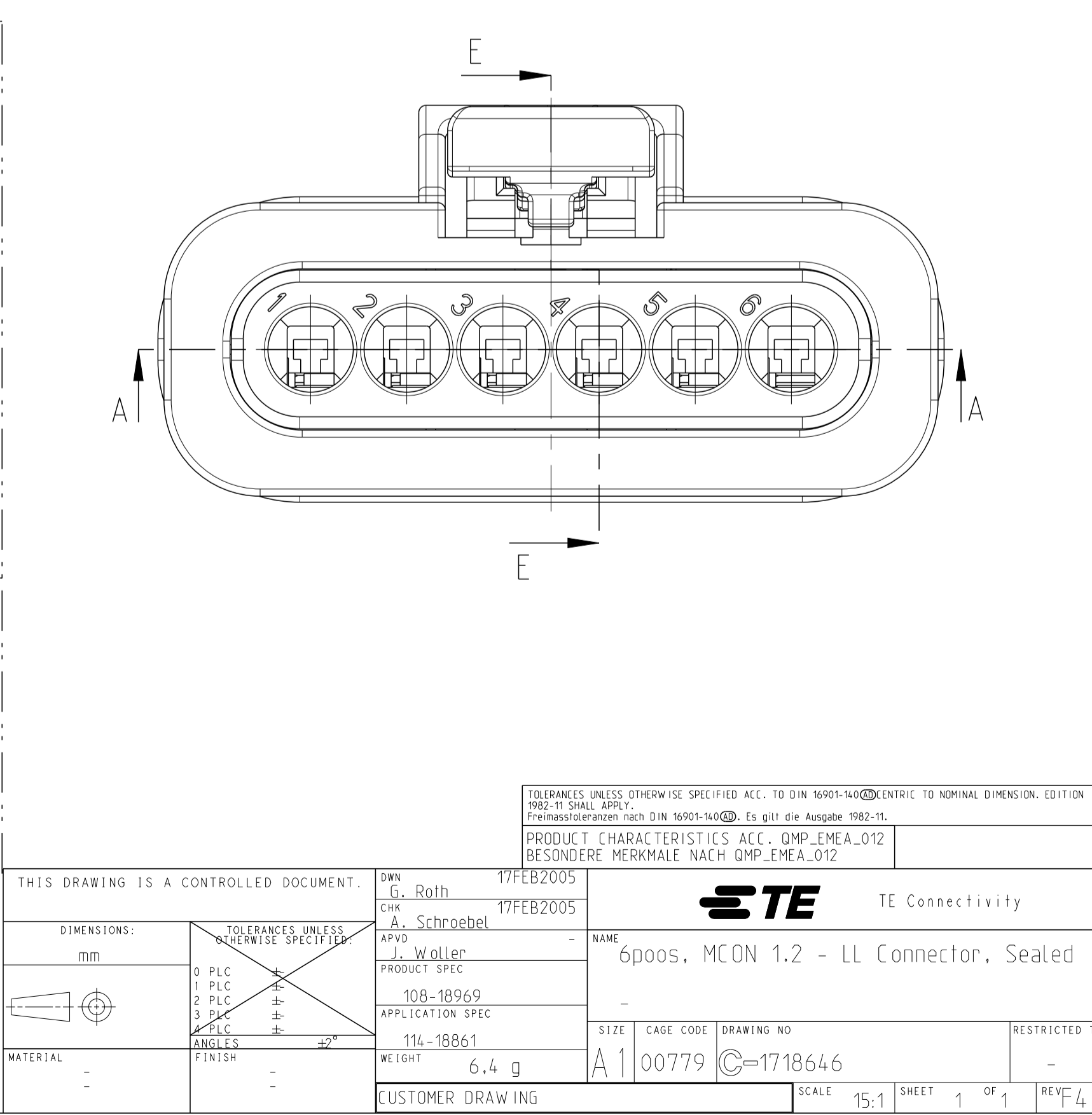
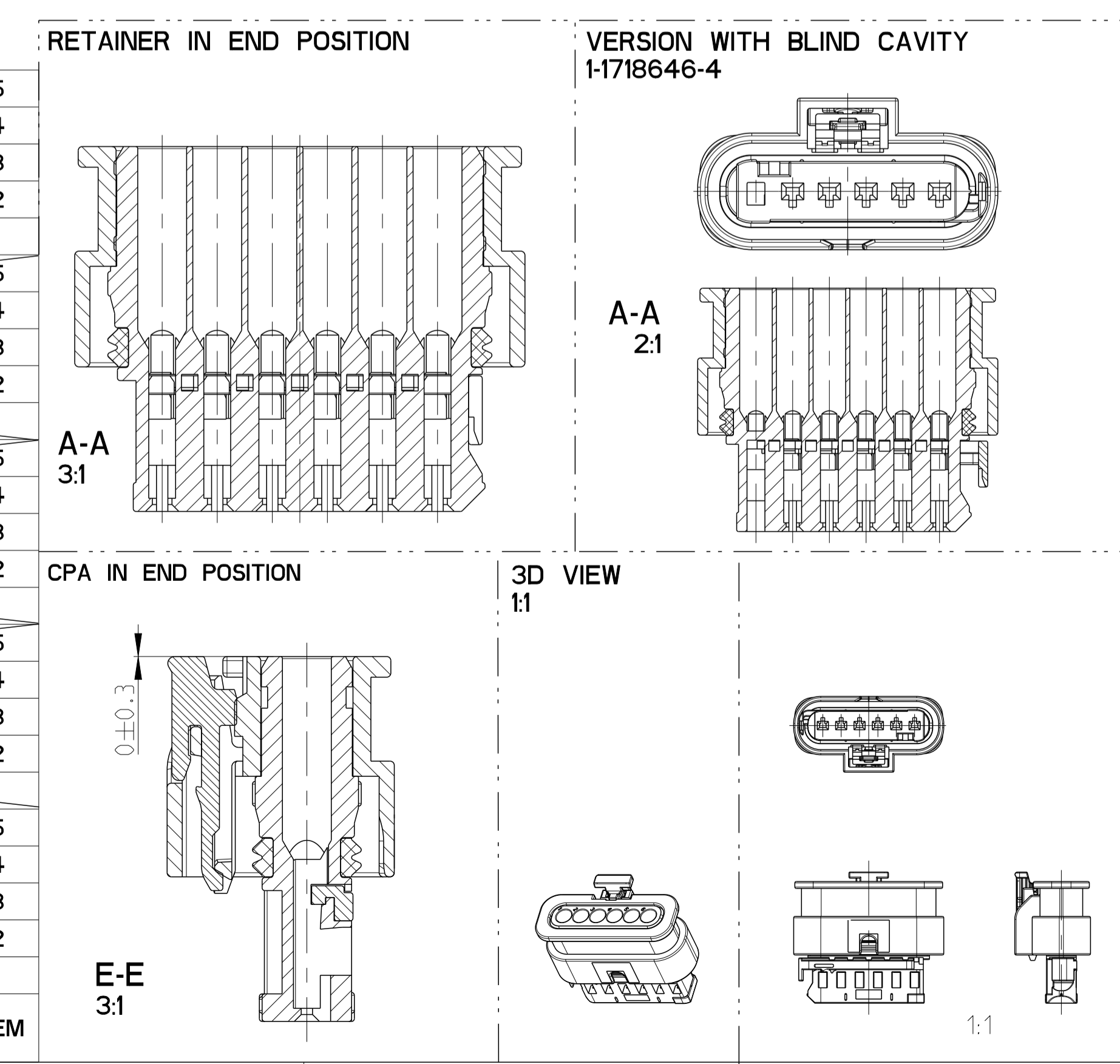


- 1 USABLE CONTACTS MCON 1.2
SEE TE-NO. 1452674. VERSION SINGLE WIRE SEAL
 - 2 MAX. WIRE SIZE RANGE 1.0 mm² FLR PERMITTED
FOR CAVITY-Ø 3.55mm
QUANTITY SEE WIRE HARNESS DRAWING
FOR PERMISSIBLE CURRENT CARRYING CAPACITY OF THE SINGLE CONTACT
SEE PRODUCT SPECIFICATION NO.108-18782
 - $\triangle F3$ 3 TE RELEVANT IDENTIFICATION AND TRACKING NUMBERS
 - 4 SPACE OF ACTIVITY
 - 5 SUPPLY CONDITION: CPA IN PRELOCKED POSITION
 - 6 SUPPLY CONDITION: RETAINER IN PRELOCKED POSITION
 - 7 WARPAGE PERMITTED TO MAX. -0.5mm
 - 8 TE ORDER-NO.
 - 9 ACCORDING TO INTERFACE DRAWING
SEE TE-NO. 114-18679-3
 - 10 ASSEMBLY LINE SEGMENT IDENTIFICATION
 - 11 DATE CODE (DD/YY)
 - $\triangle F3$ 12 AREA FOR PRINT WITH CUSTOMER RELEVANT MARKING
 - $\triangle F3$ 13 TE TRADEMARK
 - $\triangle F4$ 14 DIVERGENT MARKING FOR PARTS FROM DIFFERENT PLANTS (BR. CN. U.S...)
- 1- -1 AS SHOWN

| TE-ORDER-NO. | COD | DESCRIPTION | REV | QTY | DESCRIPTION | MATERIAL | SURFACE/COLOUR | ITEM | |
|--------------|-------------|---------------------------------------|---------------------------------------|-----|--------------------------------|--------------------------------|--------------------------|--------------------------|---|
| 1-1718646-4 | A | 6pos. MCON 1.2 - LL Connector, Sealed | F | 1 | MCON 1.2 - CPA | PA46-GF15 | GRAY SIML_RAL 7037 | 5 | |
| | | | | 1 | 6pos. MCON 1.2 - Seal | MVG | NATURE | 4 | |
| | | | | 1 | 6pos. MCON 1.2 - Retainer | PA66-GF15 | VIOLETT SIML_RAL 4006 | 3 | |
| | | | | 1 | 6pos. MCON 1.2 - Protec. Cover | PA6-GF15 | BLACK SIML_RAL 9011 | 2 | |
| | | | | 1 | 6pos. MCON 1.2 - Rec. Hsg. | PA66-GF30 | BLACK SIML_RAL 9011 | 1 | |
| | | | | 1 | MCON 1.2 - CPA | PA46-GF15 | GRAY SIML_RAL 7037 | 5 | |
| | 4-1718646-1 | D | 6pos. MCON 1.2 - LL Connector, Sealed | D | 1 | 6pos. MCON 1.2 - Seal | MVG | NATURE | 4 |
| | | | | | 1 | 6pos. MCON 1.2 - Retainer | PA66-GF15 | VIOLETT SIML_RAL 4006 | 3 |
| | | | | | 1 | 6pos. MCON 1.2 - Protec. Cover | PA6-GF15 | BLACK SIML_RAL 9011 | 2 |
| | | | | | 1 | 6pos. MCON 1.2 - Rec. Hsg. | PA66-GF30 | BLACK SIML_RAL 4004 | 1 |
| | | | | | 1 | MCON 1.2 - CPA | PA46-GF15 | GRAY SIML_RAL 7037 | 5 |
| | | | | | 1 | 6pos. MCON 1.2 - Seal | MVG | NATURE | 4 |
| 3-1718646-1 | C | 6pos. MCON 1.2 - LL Connector, Sealed | D | 1 | 6pos. MCON 1.2 - Retainer | PA66-GF15 | VIOLETT SIML_RAL 4006 | 3 | |
| | | | | 1 | 6pos. MCON 1.2 - Protec. Cover | PA6-GF15 | BLACK SIML_RAL 9011 | 2 | |
| | | | | 1 | 6pos. MCON 1.2 - Rec. Hsg. | PA66-GF30 | BLACK SIML_RAL 5012 | 1 | |
| | | | | 1 | MCON 1.2 - CPA | PA46-GF15 | GRAY SIML_RAL 7037 | 5 | |
| | | | | 1 | 6pos. MCON 1.2 - Seal | MVG | NATURE | 4 | |
| | | | | 1 | 6pos. MCON 1.2 - Retainer | PA66-GF15 | VIOLETT SIML_RAL 4006 | 3 | |
| 2-1718646-1 | B | 6pos. MCON 1.2 - LL Connector, Sealed | E | 1 | 6pos. MCON 1.2 - Protec. Cover | PA6-GF15 | BLACK SIML_RAL 9011 | 2 | |
| | | | | 1 | 6pos. MCON 1.2 - Rec. Hsg. | PA66-GF30 | NATURE | 1 | |
| | | | | 1 | MCON 1.2 - CPA | PA46-GF15 | GRAY SIML_RAL 7037 | 5 | |
| | | | | 1 | 6pos. MCON 1.2 - Seal | MVG | NATURE | 4 | |
| | | | | 1 | 6pos. MCON 1.2 - Retainer | PA66-GF15 | VIOLETT SIML_RAL 4006 | 3 | |
| | | | | 1 | 6pos. MCON 1.2 - Protec. Cover | PA6-GF15 | BLACK SIML_RAL 9011 | 2 | |
| 1-1718646-1 | A | 6pos. MCON 1.2 - LL Connector, Sealed | F | 1 | 6pos. MCON 1.2 - Rec. Hsg. | PA66-GF30 | NATURE | 1 | |
| | | | | 1 | MCON 1.2 - CPA | PA46-GF15 | GRAY SIML_RAL 7037 | 5 | |
| | | | | 1 | 6pos. MCON 1.2 - Seal | MVG | NATURE | 4 | |
| | | | | 1 | 6pos. MCON 1.2 - Retainer | PA66-GF15 | VIOLETT SIML_RAL 4006 | 3 | |
| | | | | 1 | 6pos. MCON 1.2 - Protec. Cover | PA6-GF15 | BLACK SIML_RAL 9011 | 2 | |
| | | | | 1 | 6pos. MCON 1.2 - Rec. Hsg. | PA66-GF30 | BLACK SIML_RAL 9011 | 1 | |



| | | | |
|--|--|------------------------|---|
| THIS DRAWING IS A CONTROLLED DOCUMENT. | | OWN: G. Roth 17FEB2005 | TE Connectivity |
| DIMENSIONS: mm | | CHK: A. Schraebel | NAME: 6pos. MCON 1.2 - LL Connector, Sealed |
| TOLERANCES UNLESS OTHERWISE SPECIFIED: | | APVD: J. Woller | SIZE: 108-18969 |
| 0 PLC ± | | PRODUCT SPEC | APPLICATION SPEC |
| 1 PLC ± | | 114-18861 | WEIGHT: 6.4 g |
| 2 PLC ± | | 114-18861 | CAGE CODE: 00779 |
| 3 PLC ± | | 114-18861 | DRAWING NO: 1718646 |
| 4 PLC ± | | 114-18861 | SCALE: 15:1 |
| 5 PLC ± | | 114-18861 | SHEET: 1 of 1 |
| ANGLES: 30° | | REVISIONS: | REV: F4 |

X-ON Electronics

Largest Supplier of Electrical and Electronic Components

Click to view similar products for [Automotive Connectors](#) category:

Click to view products by [TE Connectivity](#) manufacturer:

Other Similar products are found below :

[003-018-000](#) [60403001](#) [60993906-B](#) [M902-2131](#) [M902-2161](#) [72.330.1035.1](#) [73.353.4028.0](#) [F119300-B](#) [F166900](#) [F258300-B](#) [F358300-B](#)
[F407400](#) [F444110](#) [F487000](#) [F509500B-B](#) [827153-1](#) [8N1515-32-24P](#) [9-1326729-8](#) [925474-1](#) [928905-1](#) [964562-4](#) [968782-1](#) [GT17SA-8DS-](#)
[HU](#) [98891-1012](#) [98947-1016](#) [12004147](#) [12004475-L](#) [12010290](#) [12010309-B](#) [12015454](#) [12020219-B](#) [12020308](#) [12041318-B](#) [12052225-L](#)
[12052466](#) [12059125](#) [12064869](#) [12004327-B](#) [12010503-B](#) [12015308](#) [12015384](#) [12015909](#) [1-21030-1](#) [12041254](#) [12041318](#) [12047946-B](#)
[12047957](#) [12047957-L](#) [12059473](#) [12066261](#)