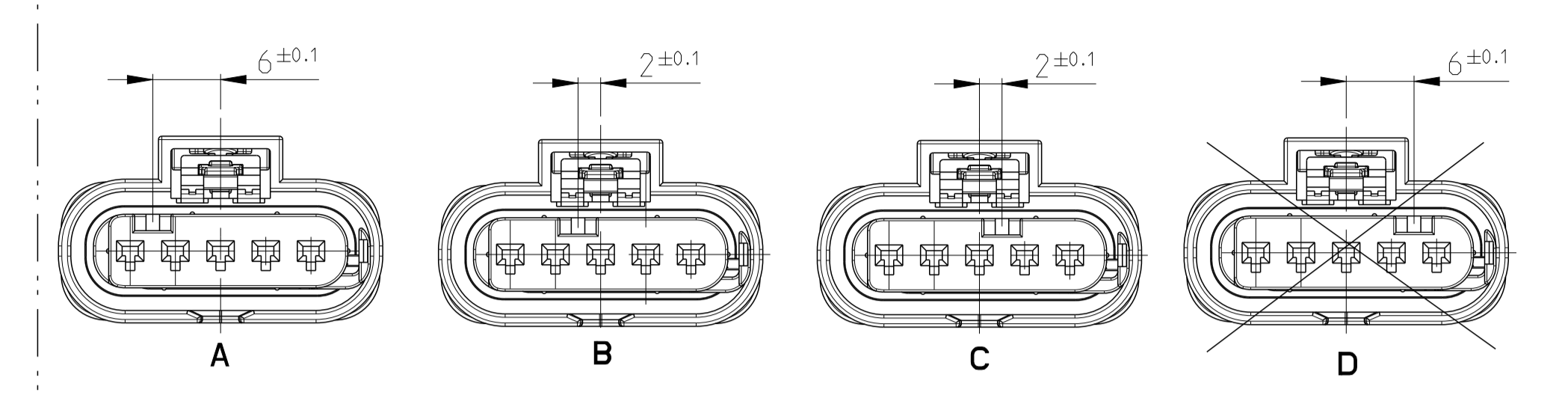


**CODINGS
Kodierungen
M 2:1**



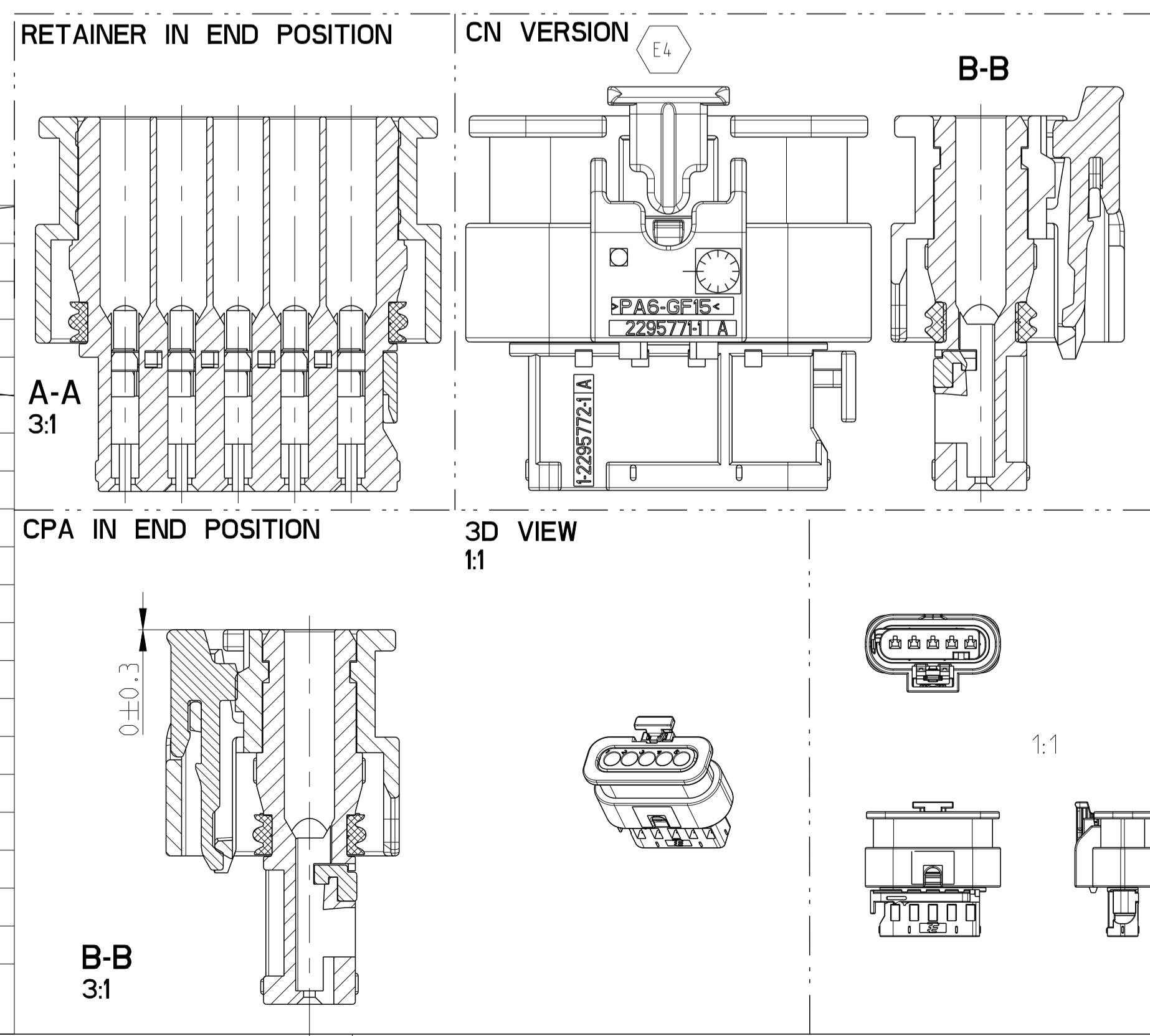
REVISIONS				
P	LTN	DESCRIPTION	DATE	OWN APVD
E1	3-1718806-1	ADDED TO BOM	22JUN2017	SZN RT
E2		LASERPRINT UPDATED WITH CN MANUF	13FEB2018	SZN RT
E3		DIVERGENT VERSION ADDED	10AUG2018	LSZ SZN
E4		LASER PRINT UPDATED WITH CN LOCATION	06AUG2019	SZN LSZ

NOTES:
Bemerkungen:

- ONLY THE GERMAN LANGUAGE VERSION IS AUTHORITATIVE
Massgebend ist nur der deutsche Text
- AREA FOR PRINT
Bereich für Bedruckung.
- USABLE CONTACTS MCON 1.2
SEE TE Connectivity -NO. 1452674, VERSION SINGLE WIRE SEAL
Verwendbare Kontakte MCON 1.2
siehe TE Connectivity -Zeichnung 1452674, Ausfuehrung Einzeldichtung
- MAX. WIRE SIZE RANGE 1.0 mm² FLR PERMITTED
FOR CAVITY-Ø 3.55MM
QUANTITY SEE WIRE HARNESS DRAWING
FOR PERMISSIBLE CURRENT CARRYING CAPACITY OF THE SINGLE CONTACT
SEE PRODUCT SPECIFICATION NO.108-18782
max. zulaessiger Leitungsquerschnitt 1,0 mm² FLR,
für Kammer-Ø 3,55mm
die Stueckzahl ist im Leitungssatz festgelegt
die zulaessige Strombelastbarkeit für die einzelnen Kontakte ist
der Spezifikation 108-18782 zu entnehmen
- SUPPLIER-MARK
Lieferantenkennzeichnung
- SPACE OF ACTIVITY
Betaetigungsfreiraum
- SUPPLY CONDITION: CPA IN PRELOCKED POSITION
Auslieferungszustand: Gehaeusesicherung in Vorraststellung
- SUPPLY CONDITION: RETAINER IN PRELOCKED POSITION
Auslieferungszustand: Zweite Kontaktsicherung in Vorraststellung
- WARPAGE PERMITTED TO MAX. -0.5mm
Verzug zulaessig bis max. -0.5mm
- TE Connectivity ORDER-NO.
TE Connectivity Bestell-Nr.
- ACCORDING TO INTERFACE DRAWING
SEE TE-NO. 114-18679-3
Passend zur Schnittstellen-Zeichnung
siehe TE-Nr. 114-18679-3
- ASSEMBLY LINE SEGMENT IDENTIFICATION
Markierung für Segment der Assembly Anlage
- DATE CODE (DDYY)
Datum Kodierung (TTJJ)
- OPTIONAL-DIVERGENT MARKING FOR PARTS FROM CHINESE AND U.S. PRODUCTION
Abweichende Beschriftung zulaessig fuer Teile aus China und U.S.
Produktion.

CODING A AS SHOWN
Kodierung A wie gezeichnet

TE-ORDER-NO.	COD	TITLE	REV	QTY	TITLE	MATERIAL	SURFACE/COLOUR	ITEM
4-1718806-1	D	5pos. MCON 1.2 - LL Connector, Sealed	D	1	MCON 1.2 - CPA	PA46-GF15	GRAY SIML. TO RAL 7037	5
				1	5pos. MCON 1.2 - Seal	MVQ-30	NATURE	4
				1	5pos. MCON 1.2 - Retainer	PA66-GF15	VIOLETT SIML. TO RAL 4006	3
				1	5pos. MCON 1.2 - Protec. Cover	PA6-GF45	VIOLETT SIML. TO RAL 9011	2
				1	5pos. MCON 1.2 - Recept. Hsg	PA66-GF30	GRAY SIML. TO RAL 4004	1
3-1718806-1	C	5pos. MCON 1.2 - LL Connector, Sealed	E	1	MCON 1.2 - CPA	PA46-GF15	GRAY SIML. TO RAL 7037	5
				1	5pos. MCON 1.2 - Seal	MVQ-30	NATURE	4
				1	5pos. MCON 1.2 - Retainer	PA66-GF15	VIOLETT SIML. TO RAL 4006	3
				1	5pos. MCON 1.2 - Protec. Cover	PA6-GF15	VIOLETT SIML. TO RAL 9011	2
				1	5pos. MCON 1.2 - Recept. Hsg	PA66-GF30	BLUE SIML. TO RAL 5012	1
2-1718806-1	B	5pos. MCON 1.2 - LL Connector, Sealed	E	1	MCON 1.2 - CPA	PA46-GF15	GRAY SIML. TO RAL 7037	5
				1	5pos. MCON 1.2 - Seal	MVQ-30	NATURE	4
				1	5pos. MCON 1.2 - Retainer	PA66-GF15	VIOLETT SIML. TO RAL 4006	3
				1	5pos. MCON 1.2 - Protec. Cover	PA6-GF15	BLACK SIML. TO RAL 9011	2
				1	5pos. MCON 1.2 - Recept. Hsg	PA66-GF30	NATURE	1
1-1718806-1	A	5pos. MCON 1.2 - LL Connector, Sealed	E	1	MCON 1.2 - CPA	PA46-GF15	GRAY SIML. TO RAL 7037	5
				1	5pos. MCON 1.2 - Seal	MVQ-30	NATURE	4
				1	5pos. MCON 1.2 - Retainer	PA66-GF15	VIOLETT SIML. TO RAL 4006	3
				1	5pos. MCON 1.2 - Protec. Cover	PA6-GF15	BLACK SIML. TO RAL 9011	2
				1	5pos. MCON 1.2 - Recept. Hsg	PA66-GF30	BLACK SIML. TO RAL 9011	1



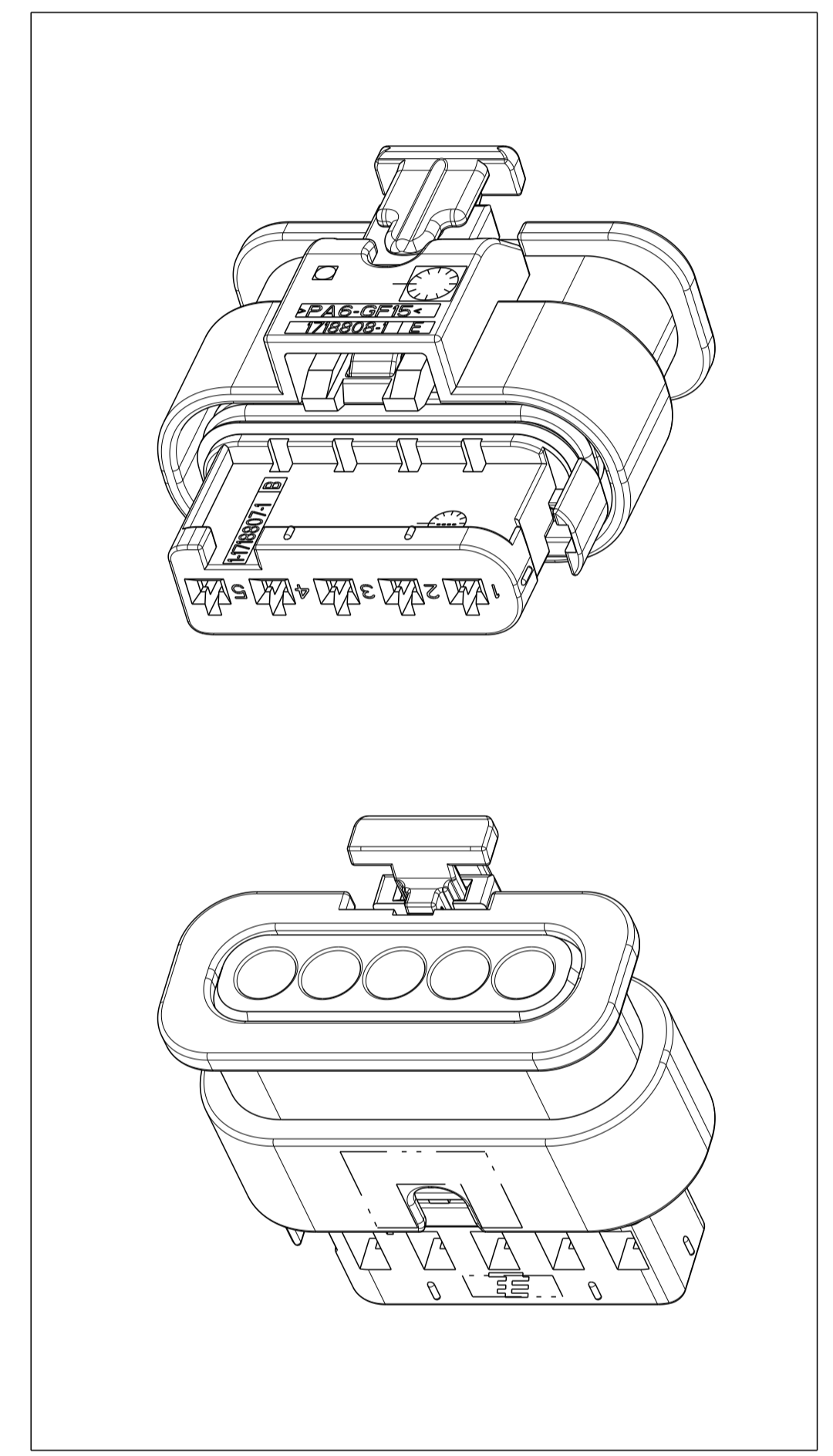
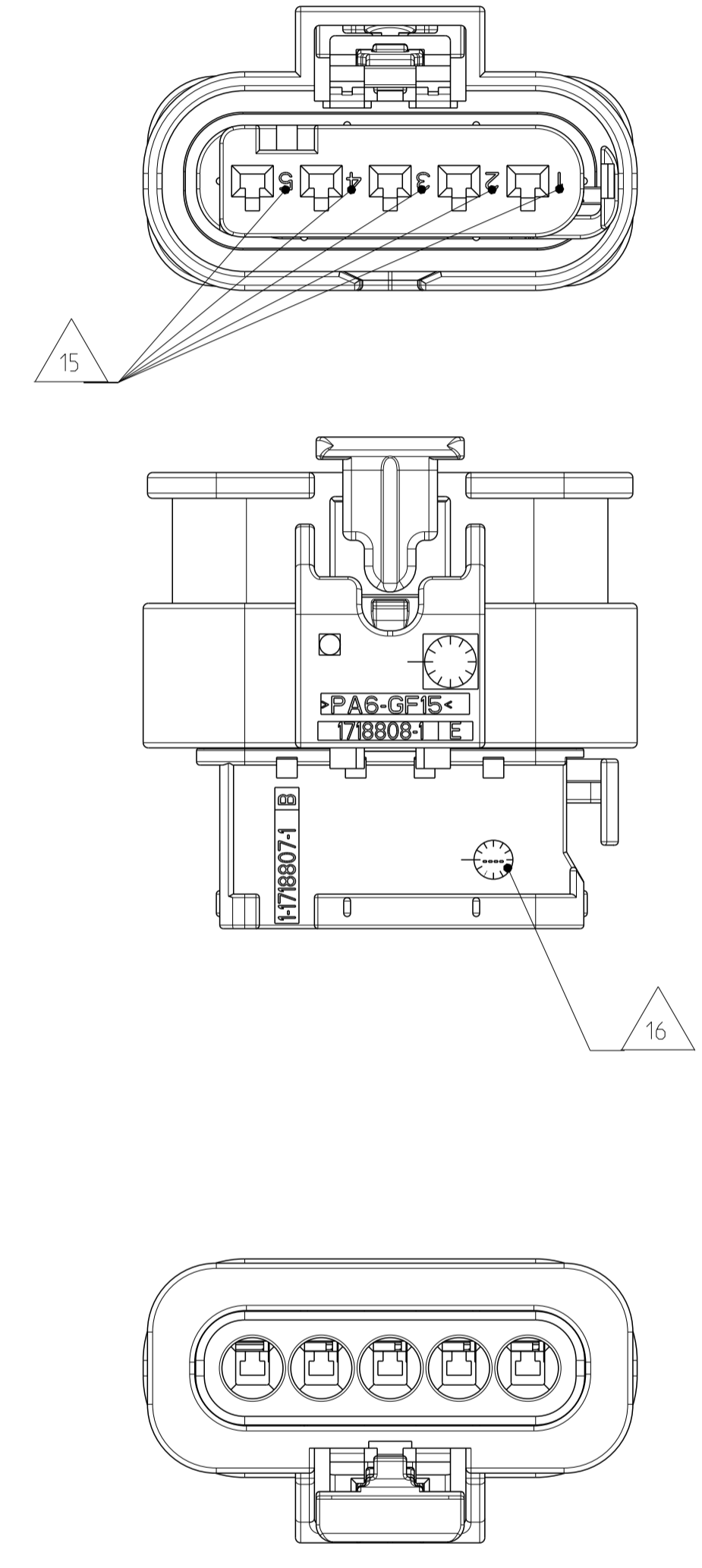
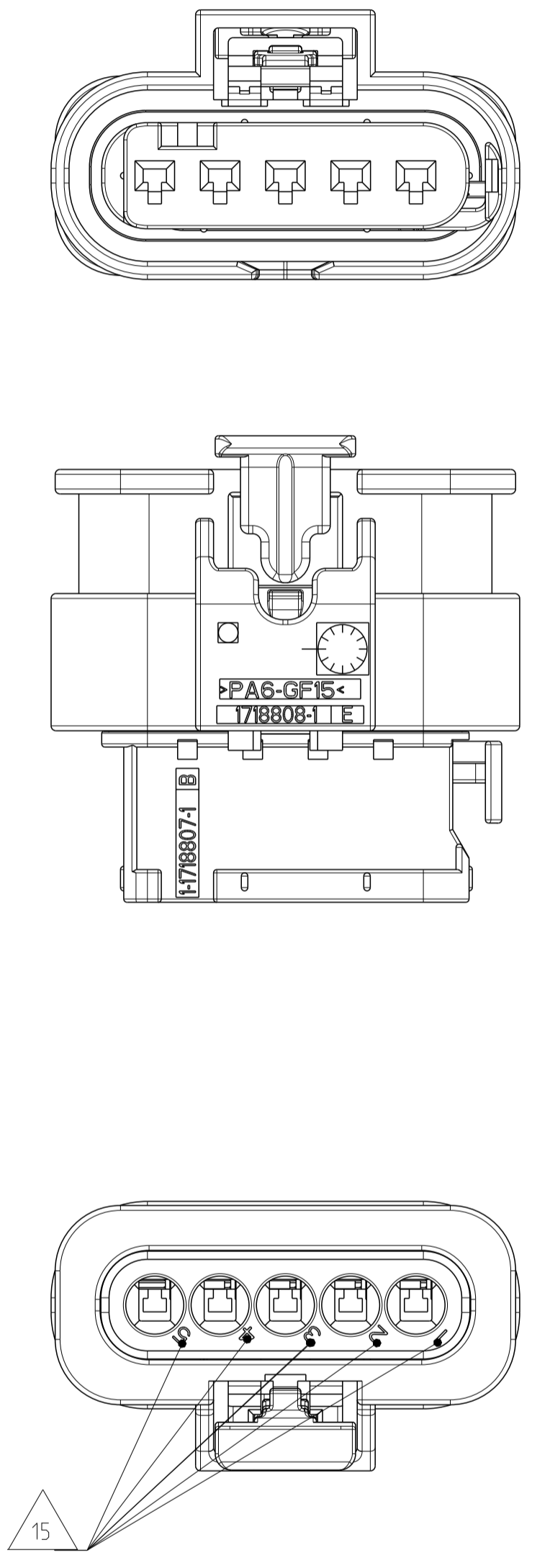
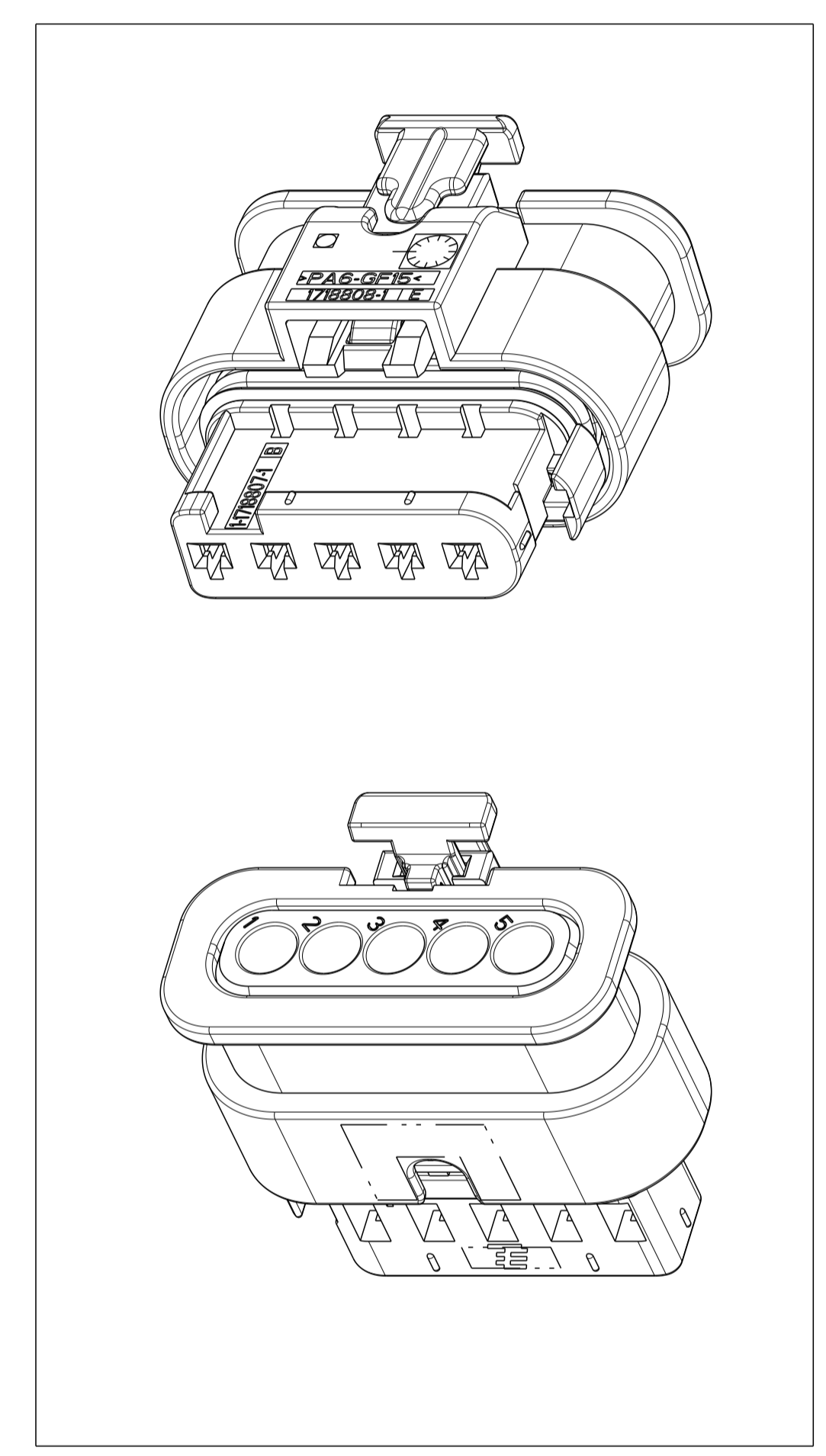
TOLERANCES UNLESS OTHERWISE SPECIFIED ACC. TO DIN 16901-140. CENTRIC TO NOMINAL DIMENSION. EDITION 1982-11 SHALL APPLY. Freimessstoleranzen nach DIN 16901-140. Es gilt die Ausgabe 1982-11.		THIS DRAWING IS A CONTROLLED DOCUMENT.		OWN: G. Roth 09AUG2018	TE Connectivity NAME: 5pos. MCON 1.2 LL Connector, Sealed PRODUCT SPEC: 108-18969 APPLICATION SPEC: 114-18861
DIMENSIONS: mm	TOLERANCES UNLESS OTHERWISE SPECIFIED	CHK: A. Schraebel 17FEB2005	APVD: -	SIZE: A1	
0 PLC	±0.1	MATERIAL: TBD		FINISH: -	WEIGHT: -
1 PLC	±0.05	CUSTOMER DRAWING		SCALE: 4:1	SHEET: 1 OF 2
2 PLC	±0.03	RESTRICTED TO		REV: E4	
3 PLC	±0.013				
4 PLC	±0.008				
5 PLC	±0.004				

REVISIONS				
P.	LTN	DESCRIPTION	DATE	APVD
		SEE SHEET 1		

E3 Divergent marking for parts from various tools 3:1

Version 1

E3 Version 2



- E3** 15 Contact cavity marking
- 16 Date clock for inner housing

DIMENSIONS: mm		TOLERANCES UNLESS OTHERWISE SPECIFIED: 0 PLC ±0.5 1 PLC ±0.13 2 PLC ±0.075 3 PLC ±0.03 4 PLC ±0.0001		DWG: G. Roth 17FEB2005 CHK: A. Schraebel 17FEB2005 APVD: -		TE TE Connectivity	
MATERIAL: TBD		FINISH: -		PRODUCT SPEC: - APPLICATION SPEC: - WEIGHT: -		NAME: 5pos. MCON 1.2 LL Connector, Sealed SIZE: A1 CAGE CODE: 00779 DRAWING NO: C=1718806 RESTRICTED TO: -	
CUSTOMER DRAWING				SCALE: 4:1		SHEET: 2 OF 2 REV: 4	

X-ON Electronics

Largest Supplier of Electrical and Electronic Components

Click to view similar products for [Automotive Connectors](#) category:

Click to view products by [TE Connectivity](#) manufacturer:

Other Similar products are found below :

[003-018-000](#) [60403001](#) [60993906-B](#) [M902-2131](#) [M902-2161](#) [M902-2344](#) [72.330.1035.1](#) [73.353.4028.0](#) [F119300-B](#) [F166900](#) [F258300-B](#)
[F358300-B](#) [F407400](#) [F444110](#) [F487000](#) [F509500B-B](#) [827153-1](#) [8N1515-32-24P](#) [9-1326729-8](#) [925474-1](#) [928905-1](#) [964562-4](#) [968782-1](#)
[GT17SA-8DS-HU](#) [98891-1012](#) [98947-1016](#) [12004147](#) [12004475-L](#) [12010290](#) [12010309-B](#) [12015454](#) [12020219-B](#) [12041318-B](#) [12052225-](#)
[L](#) [12052466](#) [12064869](#) [12004327-B](#) [12015308](#) [12015384](#) [12015909](#) [1-21030-1](#) [12041254](#) [12041318](#) [12047946-B](#) [12047957](#) [12047957-L](#)
[12059473](#) [12066261](#) [12110546](#) [12110546-B](#)