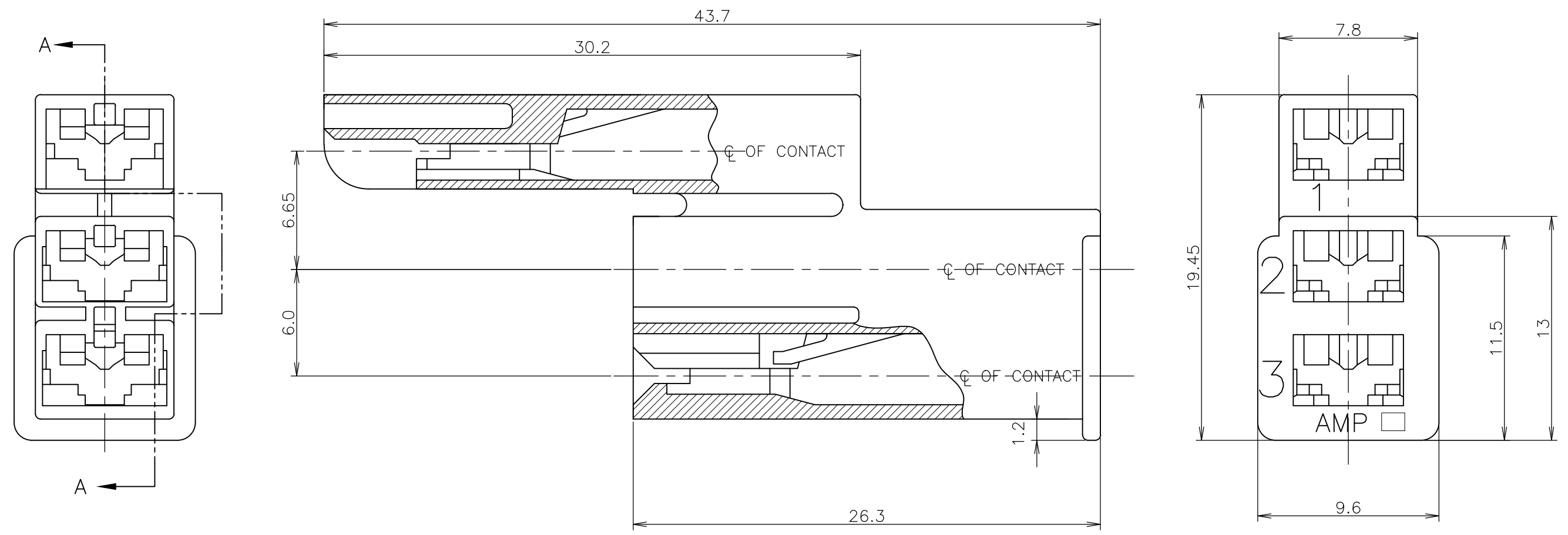


THIS DRAWING IS UNPUBLISHED. RELEASED FOR PUBLICATION DEC , 1979.
 © COPYRIGHT 1979 By Tyco Electronics Japan G.K. ALL RIGHTS RESERVED.

| REVISIONS 変更 | | | | | |
|-----------------|-----|---------------------------|-----------|-----|------|
| P | LTR | DESCRIPTION | DATE | DWN | APVD |
| | E8 | REVISED PER ECR-19-002938 | 22FEB2019 | BH | E.W |



SECTION A-A

- 1 PRODUCT SPEC : 108-5126
- 2 APPLIED CONTACT P/N : 170324,170325,170326
- 3 THIS CONNECTOR APPLIED FOR 3 POS. MICRO SWITCH.
- 4 SEE CP79-25225 FOR APPLIED TAB.
- Ⓐ MATERIAL : 6/6 NYLON (94V-2)
- Ⓑ MATERIAL : 6/6 NYLON (94V-0)
- Ⓒ OBSOLETE PARTS : OBSOLETE CIS STREAMLINING PER D.RENAUD/D.SINISI
- Ⓓ MATERIAL : PA66, UL94 V-0, GWIT 775°C

| | | | |
|------------|-----------------------|---|-----------|
| | 2-172075-1 | Ⓓ | NATURAL |
| Ⓐ OBSOLETE | 1-172075-7 | Ⓒ | (RED) |
| | 1-172075-6 | Ⓒ | (BLUE) |
| Ⓐ OBSOLETE | 4-172075-5 | Ⓒ | (GREEN) |
| OBSOLETE | 1-172075-4 | Ⓒ | (YELLOW) |
| | 1-172075-1 | Ⓒ | (NATURAL) |
| | 172075-7 | Ⓓ | (RED) |
| | 172075-6 | Ⓓ | (BLUE) |
| OBSOLETE | 172075-5 | Ⓓ | (GREEN) |
| | 172075-4 | Ⓓ | (YELLOW) |
| | 172075-1 | Ⓓ | (NATURAL) |
| | PART NUMBER | | (COLOR) |

| | | | | | |
|---|--|------------------------------|--|--------------------|------------------------------|
| THIS DRAWING IS A CONTROLLED DOCUMENT. | | DWN H.YAMADA 12DEC1979 | TE Connectivity | | |
| DIMENSIONS: 単位: 耗 mm | | CHK A.TOMITA 12DEC1979 | | | |
| TOLERANCES UNLESS OTHERWISE SPECIFIED: 一般公差 | | APVD Y.SATO 08APR1980 | NAME 名称 187 SERIES 3 POS. POSITIVE LOCK MK-II HSG 187シリーズ 3極ポジティブロック マークII ハウジング | | |
| 0-PLC ±— 1-PLC ±0.4 2-PLC ±— 3-PLC ±— 4-PLC ±— ANGLES ±— | | PRODUCT SPEC 製品規格 | SIZE A3 | CAGE CODE 00779 | DRAWING NO 番号 C-172075 |
| MATERIAL 材料 注記参照 Ⓓ SEE NOTES Ⓐ Ⓑ | | FINISH 仕上 | APPLICATION SPEC 取付適用規格 | WEIGHT | RESTRICTED TO |
| CUSTOMER DRAWING | | | SCALE 尺度 4:1 | SHEET 1 OF 1 | REV E8 |

PROJ.NO. 716-211

A

X-ON Electronics

Largest Supplier of Electrical and Electronic Components

Click to view similar products for [Terminals](#) category:

Click to view products by [TE Connectivity](#) manufacturer:

Other Similar products are found below :

[00-054007-01074-6](#) [00-054007-70206-1](#) [00-054007-70210-8](#) [00-054007-70217-7](#) [00-054007-70226-9](#) [00-054007-70228-3](#) [00-054007-70248-1](#) [00-054007-70256-6](#) [00-054007-70301-3](#) [00-054007-70316-7](#) [00-054007-49560-4](#) [00-054007-70209-2](#) [00-054007-70225-2](#) [00-054007-70227-6](#) [00-054007-70231-3](#) [00-054007-70241-2](#) [00-054007-70242-9](#) [00-054007-70244-3](#) [00-054007-70246-7](#) [00-054007-70263-4](#) [00-054007-70288-7](#) [00-054007-70290-0](#) [00-054007-70300-6](#) [00-054007-70304-4](#) [01-2065-1-0216](#) [01-2900-1-04412](#) [00581P0075](#) [600TS-10](#) [60205-1](#) [604200-1](#) [605601-1](#) [60598-1-CUT-TAPE](#) [61314-6-C](#) [61810-3](#) [61-S](#) [61-SN](#) [626-0194](#) [62-NBM-A](#) [62-SN](#) [62-SP](#) [63-S](#) [640179-1](#) [M55155/059I03](#) [M55155/079C01](#) [M55155/099H02](#) [M55155/109H01](#) [M55155/109H02](#) [M55155/12XH05](#) [M55155/16XH02](#) [M55155/29-5S](#)