

THIS DRAWING IS UNPUBLISHED. RELEASED FOR PUBLICATION  
 © COPYRIGHT - By - ALL RIGHTS RESERVED.

LOC	DIST	REVISIONS				
P	LTR	DESCRIPTION	DATE	DWN	APVD	
HB	-	E1	NEW ADD PN ECO-17-004477	23-Jan-18	WQ.Y	K.T
		E2	NEW ADD PN ECO-19-015756	21-Oct-19	WQ.Y	K.T

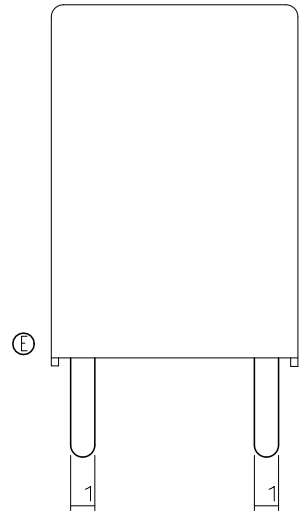
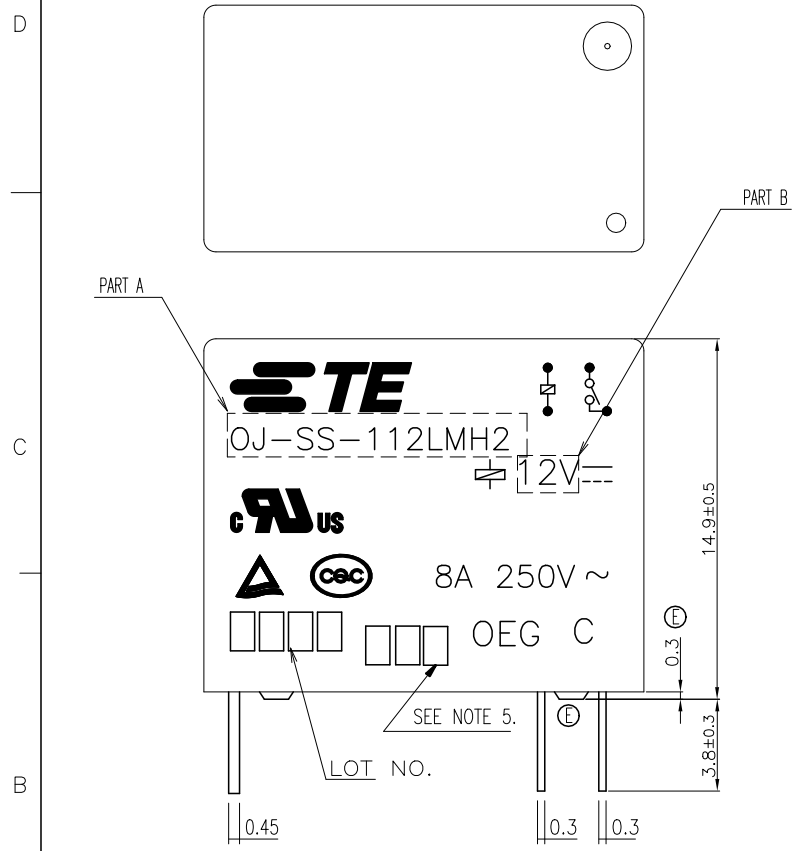
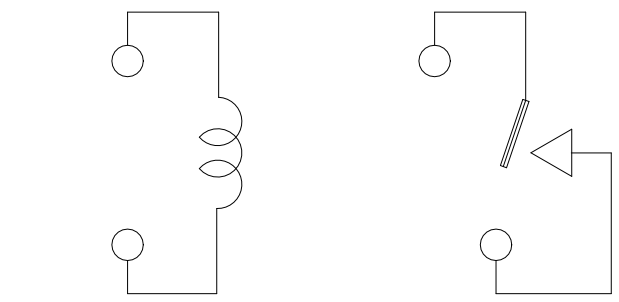


Diagram dimension	Tolerance
0.99mm max.	±0.1mm
1 - 2.99mm	±0.2mm
3mm min.	±0.3mm



CONNECTION FIGURE

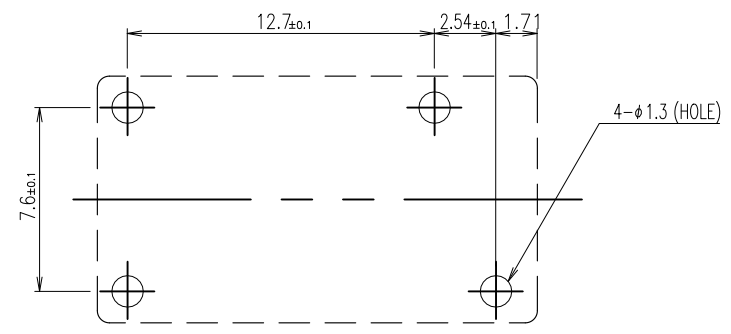
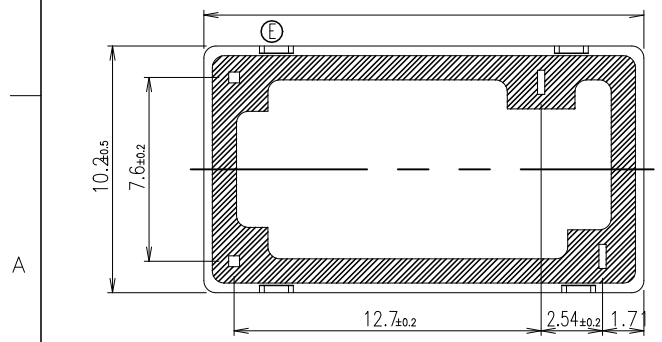


FIGURE FOR PRINTED CIRCUIT BOARD PROCESSING  
(BOTTOM VIEW)



THIS DRAWING IS A CONTROLLED DOCUMENT.		DWN	Hu,XieLi	-		TE Connectivity		
		CHK	Mak,Simon	-				
		APVD	Mingjung,Ho	-				
		PRODUCT SPEC						
		APPLICATION SPEC			OJ-LMH2 SPEC		CUSTOMER DRAWING	
		WEIGHT			SIZE	CAGE CODE	DRAWING NO	RESTRICTED TO
					A3	00779	1721260	
		CUSTOMER DRAWING		SCALE	5:1	SHEET	1 OF 2	REV
								E2

4

3

2

1

THIS DRAWING IS UNPUBLISHED. RELEASED FOR PUBLICATION -.-  
 © COPYRIGHT - By - ALL RIGHTS RESERVED.

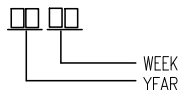
LOC	DIST	REVISIONS					
HB	-	P	LTR	DESCRIPTION	DATE	DWN	APVD
		-		SEE SHEET 1	-	-	-

107-79010	1-1721260-6	OJ-SH-112LMH2	12V	OJ-SH-112LMH2	q	ⓔ
	1-1721260-5	OJ-SH-112LMH2	12V	OJ-SH-112LMH2	p	ⓔ
107-84030	1-1721260-4	OJ-SS-105LMH2	5V	OJ-SS-105LMH2	0	ⓔ
	1-1721260-3	OJ-SS-112LMH2	12V	OJ-SS-112LMH2	n	ⓔ
	1-1721261-3	OJ-SH-112LMH2	12V	OJ-SH-112LMH2	m	ⓔ
107-79010	1-1721260-2	OJ-SH-124LMH2	24V	OJ-SH-124LMH2	l	
	1-1721260-1	OJ-SH-112LMH2	12V	OJ-SH-112LMH2	k	
	1-1721260-0	OJ-SH-109LMH2	9V	OJ-SH-109LMH2	j	
	1721260-9	OJ-SH-106LMH2	6V	OJ-SH-106LMH2	i	
	1721260-8	OJ-SH-105LMH2	5V	OJ-SH-105LMH2	h	
	1721260-7	OJ-SH-103LMH2	3V	OJ-SH-103LMH2	g	
	1721260-6	OJ-SS-124LMH2	24V	OJ-SS-124LMH2	f	
	1721260-5	OJ-SS-112LMH2	12V	OJ-SS-112LMH2	e	
	1721260-4	OJ-SS-109LMH2	9V	OJ-SS-109LMH2	d	
	1721260-3	OJ-SS-106LMH2	6V	OJ-SS-106LMH2	c	
	1721260-2	OJ-SS-105LMH2	5V	OJ-SS-105LMH2	b	
	1721260-1	OJ-SS-103LMH2	3V	OJ-SS-103LMH2	a	
	PACKAGE SPEC	TE PART NO	PART A	PART B	DESCRIPTION	TYPE

RELAY TYPE

NOTES:

- 1.TERMINAL DIMENSION BEFORE TINNING.
- 2.LOT NO. SYSTEM AS FOLLOWING:



- 2.TERMINAL DIMENSION IS BEFORE SOLDER DIP;
- 3.FOR THE TIN-PLATING OF THE PINS:  
+0.1mm FOR WIDTH,THICKNESS AND DIAMETER.  
+0.5mm FOR LENGTH.
- 4.MARKING FROM INK TO LASER AND USING WELDED CONTACT

5.ADD LOT NO. SYSTEM AS FOLLOWING;



- I, DIGITS FOR DAY OF THE WEEK  
1...MONDAY IN THIS WEEK;  
2...TUESDAY IN THIS WEEK;  
.....  
7...SUNDAY IN THIS WEEK
- II, DIGITS FOR SHIFT OF THE DAY  
1...DAY SHIFT IN THIS DAY;  
2...NIGHT SHIFT IN THIS DAY;
- III, ONE CHARACTER DISTINGUISH THE LINE IDENTITY, SUCH AS: A,B,....Z

		EPOXY RESIN	SEAL (BASE & BOBBIN)	15
		3UEW	MAGNETIC WIRE	14
UL94V-0		P.B.T	CASE	13
UL94V-0		P.B.T	BASE	12
UL94V-0		P.B.T	BOBBIN	11
	SOLDER DIP	C.P. WIRE	COIL TERMINAL	10
UL94V-0		P.P.S	CARD	9
		AgSn0In0	MOVABLE CONTACT	8
		AgSn0In0	NO.CONTACT	7
		STEEL	HINGE SPRING	6
	SOLDER DIP	Cu ALLOY	NO.TERMINAL	5
	SOLDER DIP	Cu ALLOY	MOVABLE SPRING	4
	NIP	STEEL	CORE	3
	NIP	STEEL	ARMATURE	2
	NIP	STEEL	YOKE	1
INCOMBUSTIBILITY	TREATMENT	MATERIAL	DESCRIPTION	ITEM

THIS DRAWING IS A CONTROLLED DOCUMENT.		DWN	Hu.Xielj	-												
		CHK	Mak,Simon	-												
		APVD	Mingjung.Ho	-												
DIMENSIONS: mm		NAME														
TOLERANCES UNLESS OTHERWISE SPECIFIED:		OJ-LMH2 SPEC CUSTOMER DRAWING														
<table border="1"> <tr><td>0 PLC</td><td>± -</td></tr> <tr><td>1 PLC</td><td>± -</td></tr> <tr><td>2 PLC</td><td>± -</td></tr> <tr><td>3 PLC</td><td>± -</td></tr> <tr><td>4 PLC</td><td>± -</td></tr> <tr><td>ANGLES</td><td>± -</td></tr> </table>		0 PLC	± -	1 PLC	± -	2 PLC	± -	3 PLC	± -	4 PLC	± -	ANGLES	± -	RESTRICTED TO		
0 PLC	± -															
1 PLC	± -															
2 PLC	± -															
3 PLC	± -															
4 PLC	± -															
ANGLES	± -															
MATERIAL		SIZE	CAGE CODE	DRAWING NO												
		A3	00779	1721260												
FINISH		WEIGHT	SCALE	SHEET												
		-	5:1	2 OF 2												
CUSTOMER DRAWING		REV E2														

## X-ON Electronics

Largest Supplier of Electrical and Electronic Components

*Click to view similar products for [General Purpose Relays](#) category:*

*Click to view products by [TE Connectivity](#) manufacturer:*

Other Similar products are found below :

[PCN-105D3MH,000](#) [59641F200](#) [LY1SAC110120](#) [5X827E](#) [5X837F](#) [5X840F](#) [5X842F](#) [5X848E](#) [LY2N-AC120](#) [LY2S-AC220/240](#) [LY2-US-AC120](#) [LY3-US-AC120](#) [LY4F-UA-DC12](#) [LY4F-UA-DC24](#) [LY4F-US-AC120](#) [LY4F-US-AC240](#) [LY4F-US-DC24](#) [LY4F-VD-AC110](#) [LYQ20DC12](#) [M115C60](#) [M115N010](#) [M115N0150](#) [6031007G](#) [603-12D](#) [61211T0B4](#) [61212T400](#) [61222Q400](#) [61243B600](#) [61243C500](#) [61243Q400](#) [61311BOA2](#) [61311BOA6](#) [61311BOA8](#) [61311C0A2](#) [61311COA1](#) [61311COA6](#) [61311F0A2](#) [61311QOA1](#) [61311QOA4](#) [61311T0D6](#) [61311TOA6](#) [61311TOA7](#) [61311TOB3](#) [61311TOB4](#) [61311U0A6](#) [61312Q600](#) [61312T400](#) [61312T600](#) [61313U200](#) [61313U400](#)