

4

3

2

1

THIS DRAWING IS UNPUBLISHED.

RELEASED FOR PUBLICATION

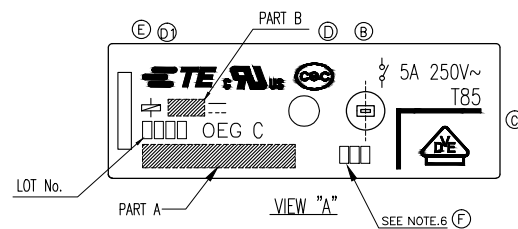
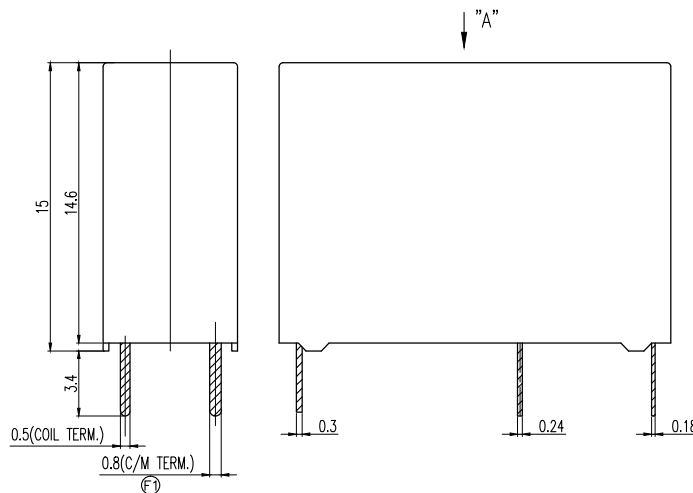
© COPYRIGHT -- By TE CONNECTIVITY

ALL RIGHTS RESERVED.

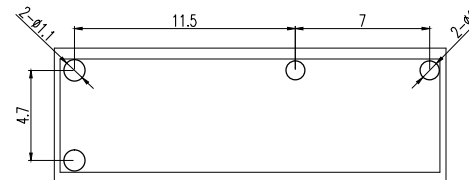
LOC
HBDIST
-

REVISIONS

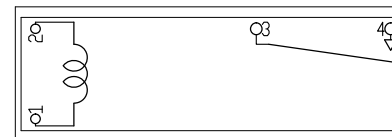
P	LTR	DESCRIPTION	DATE	DWN	APVD
1		CHANGE THE WIDTH OF THE PIN TERMINAL FROM 0.8MM TO 0.9MM	ECO-14-011875	19-AUG-14	Q.L.B.F



DRILLING DIAGRAM (BOTTOM VIEW)



CIRCUIT DIAGRAM (BOTTOM VIEW)



© NOTE:

1. LOT NO. SYSTEM AS FOLLOWING;

WEEK
YEAR

2. ONE CHARACTER DISTINGUISH THE LINE IDENTITY, SUCH AS: A, B...

3. TERMINAL DIMENSION IS BEFORE SOLDER DIP.

4. FOR THE TIN-PLATING OF THE PINS:

+0.1mm FOR WIDTH, THICKNESS AND DIAMETER.

+0.5mm FOR LENGTH.

5. MARKING FROM INK CHANGE TO LASER

6. ADD LOT NO. SYSTEM AS FOLLOWING;



I. DIGITS FOR DAY OF THE WEEK

1...MONDAY IN THIS WEEK;

2...TUESDAY IN THIS WEEK;

.....

7...SUNDAY IN THIS WEEK

II. DIGITS FOR SHIFT OF THE DAY

1...DAY SHIFT IN THIS DAY;

2...NIGHT SHIFT IN THIS DAY;

III. ONE CHARACTER DISTINGUISH THE LINE IDENTITY, SUCH AS: A, B,.....Z

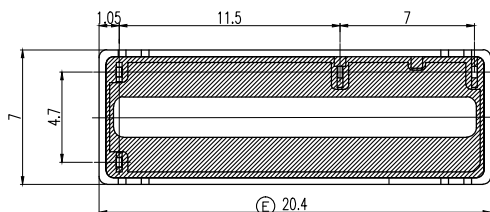


Diagram dimension	Tolerance
0.99mm max.	±0.1mm
1 - 2.99mm	±0.2mm
3mm min.	±0.3mm

THIS DRAWING IS A CONTROLLED DOCUMENT.

DIMENSIONS:

mm



TOLERANCES UNLESS OTHERWISE SPECIFIED:

0 PLC ± -

1 PLC ± -

2 PLC ± -

3 PLC ± -

4 PLC ± -

RPLC ± -

ANGLES ± -

FINISH -

MATERIAL -

FINISH -

DWN

CHK

APVD

PRODUCT SPEC

APPLICATION SPEC

WEIGHT

CUSTOMER DRAWING

DWN

CHK

APVD

PRODUCT SPEC

APPLICATION SPEC

WEIGHT

CUSTOMER DRAWING

TE Connectivity

NAME

PCJ-WG,000M SPEC

SIZE

CAGE CODE

DRAWING NO

RESTRICTED TO

A3

00779

C=1721547

-

SCALE

5:1

SHEET

1 OF 2

REV

F1

4

3

2

1

THIS DRAWING IS UNPUBLISHED.

RELEASED FOR PUBLICATION

- - -

© COPYRIGHT - By TE CONNECTIVITY

ALL RIGHTS RESERVED.

LOC

DIST

REVISIONS

HB

-

P

LTR

DESCRIPTION

DATE

DWN

APVD

- SEE SHEET 1

D

D

C

C

B

B

A

A

N	PCJ-12403MH-WG, 000M	1-1721547-4	SEAL UP INSPECTION ON EVERY PRODUCT	24V	PCJ-12403MH-WG
M	PCJ-11803MH-WG, 000M	1-1721547-3	SEAL UP INSPECTION ON EVERY PRODUCT	18V	PCJ-11803MH-WG
L	PCJ-11203MH-WG, 000M	1-1721547-2	SEAL UP INSPECTION ON EVERY PRODUCT	12V	PCJ-11203MH-WG
K	PCJ-10803MH-WG, 000M	1-1721547-1	SEAL UP INSPECTION ON EVERY PRODUCT	9V	PCJ-10803MH-WG
J	PCJ-10603MH-WG, 000M	1-1721547-0	SEAL UP INSPECTION ON EVERY PRODUCT	6V	PCJ-10603MH-WG
I	PCJ-10503MH-WG, 000M	1721547-9	SEAL UP INSPECTION ON EVERY PRODUCT	5V	PCJ-10503MH-WG
H	PCJ-10303MH-WG, 000M	1721547-8	SEAL UP INSPECTION ON EVERY PRODUCT	3V	PCJ-10303MH-WG
G	PCJ-12403M-WG, 000M	1721547-7		24V	PCJ-12403M-WG
F	PCJ-11803M-WG, 000M	1721547-6		18V	PCJ-11803M-WG
E	PCJ-11203M-WG, 000M	1721547-5		12V	PCJ-11203M-WG
D	PCJ-10803M-WG, 000M	1721547-4		9V	PCJ-10803M-WG
C	PCJ-10603M-WG, 000M	1721547-3		6V	PCJ-10603M-WG
B	PCJ-10503M-WG, 000M	1721547-2		5V	PCJ-10503M-WG
A	PCJ-10303M-WG, 000M	1721547-1		3V	PCJ-10303M-WG
No.	DESCRIPTION	TE PART NO	DESCRIPTION	PART B	PART A

RELAY TYPE

		Sn-Ag-Cu	SOLDER	18
94V-0		PA	⊕ CASE	17
		UV	SEAL(CASE) JUST FOR WASH TIGHT	16
		EPOXY	SEAL(CASE AND BASE)	15
		SUEW	MAGNETIC WIRE	14
94V-0		PBT	CARD	13
		Ag ALLOY	STATIONARY CONTACT	12
		Cu ALLOY	STATIONARY TERMINAL	11
		Ag ALLOY	MOVABLE CONTACT	10
		Cu ALLOY	MOVABLE SPRING	9
94V-0		PET	⊕ BASE	8
		STAINLESS	HINGE SPRING	7
		NIP	STEEL ARMATURE	6
		NIP	STEEL CORE	5
		NIP	STEEL YOKE	4
		SOLDER DIP	Cu ALLOY COIL TERMINAL B	3
		SOLDER DIP	Cu ALLOY COIL TERMINAL A	2
94V-0		PBT	BOBBIN	1
COMBUSTIBILITY	TREATMENT	MATERIAL	DESCRIPTION	TEM

THIS DRAWING IS A CONTROLLED DOCUMENT.

DWN

CHK

APVD

NAME



TE Connectivity

DIMENSIONS:

mm



TOLERANCES UNLESS OTHERWISE SPECIFIED:

0 PLC ± -
 1 PLC ± -
 2 PLC ± -
 3 PLC ± -
 4 PLC ± -
 ANGLES ± -

MATERIAL

FINISH

DWN

CHK

APVD

NAME



TE Connectivity

DIMENSIONS:

mm



TOLERANCES UNLESS OTHERWISE SPECIFIED:

0 PLC ± -
 1 PLC ± -
 2 PLC ± -
 3 PLC ± -
 4 PLC ± -
 ANGLES ± -

MATERIAL

FINISH

DWN

CHK

APVD

NAME



TE Connectivity

PCJ-WG,000M SPEC

SIZE CAGE CODE DRAWING NO

A3 00779 C=1721547

RESTRICTED TO

-

WEIGHT

-

CUSTOMER DRAWING

SCALE 5:1

SHEET 2 OF 2

REV F1

X-ON Electronics

Largest Supplier of Electrical and Electronic Components

Click to view similar products for [General Purpose Relays](#) category:

Click to view products by [TE Connectivity](#) manufacturer:

Other Similar products are found below :

[PCN-105D3MH,000](#) [59641F200](#) [5JO-1000CD-SIL](#) [5X827E](#) [5X837F](#) [5X840F](#) [5X842F](#) [5X848E](#) [LY2N-AC120](#) [LY2-US-AC120](#) [LY2-US-DC24](#) [LY3-US-AC120](#) [LY4F-UA-DC12](#) [LY4F-UA-DC24](#) [LY4F-US-AC120](#) [LY4F-US-AC240](#) [LY4F-US-DC24](#) [LY4F-VD-AC110](#)
[M115C60](#) [M115N010](#) [M115N0150](#) [603-12D](#) [60HE1-5DC](#) [60HE2S-12DC](#) [61211T0B4](#) [61212T400](#) [61222Q400](#) [61243B600](#) [61243C500](#)
[61243Q400](#) [61311BOA2](#) [61311BOA6](#) [61311BOA8](#) [61311C0A2](#) [61311COA1](#) [61311COA6](#) [61311F0A2](#) [61311QOA1](#) [61311QOA4](#)
[61311T0D6](#) [61311TOA6](#) [61311TOA7](#) [61311TOB3](#) [61311TOB4](#) [61311U0A6](#) [61312Q600](#) [61312T400](#) [61312T600](#) [61313U200](#) [61313U400](#)