

4

3

2

1

THIS DRAWING IS UNPUBLISHED.

RELEASED FOR PUBLICATION

---

© COPYRIGHT - By TE CONNECTIVITY

ALL RIGHTS RESERVED.

LOC HB DIST -

REVISIONS

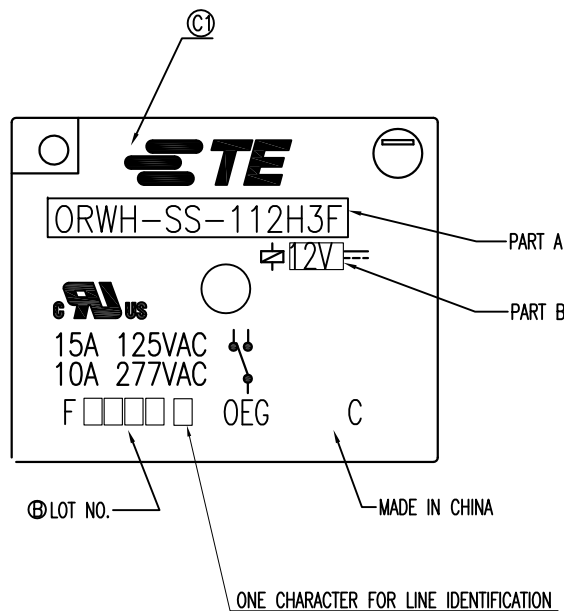
P	LTR	DESCRIPTION	DATE	DWN	APVD
	C1	CHANGED LOGO AND UPDATE DRAWING ECO-16-000656	20-SEP-15	BL.L	H.L.C

D

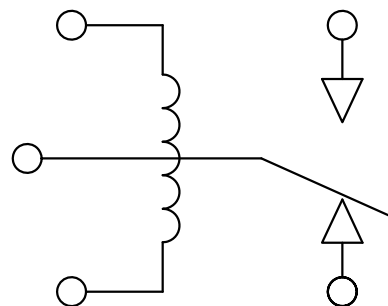
C

B

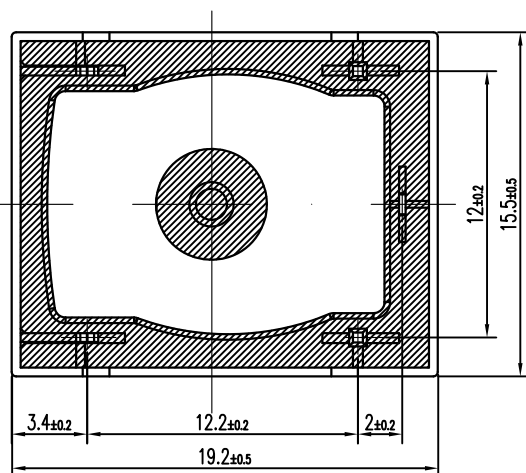
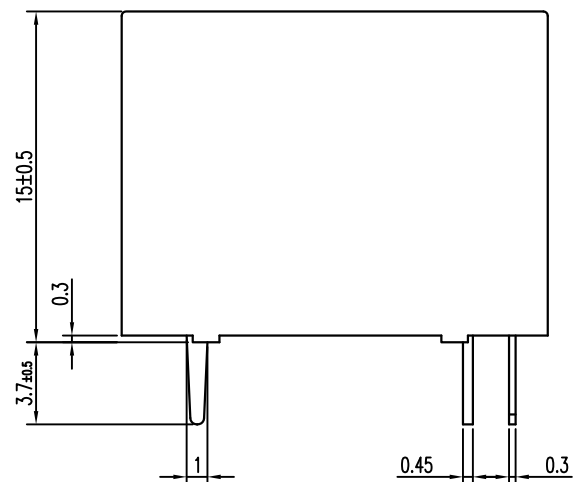
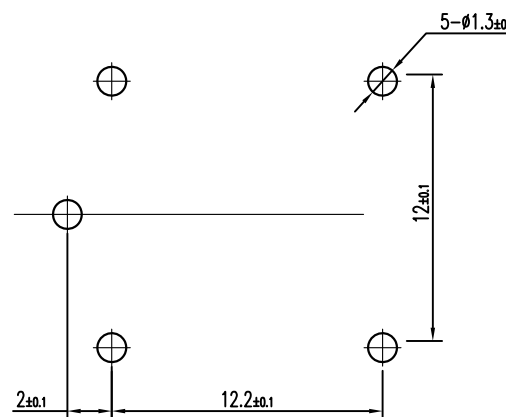
A



CIRCUIT DIAGRAM (BOTTOM VIEW)

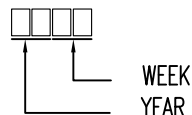


DRILLING DIAGRAM (BOTTOM VIEW)



NOTE

① LOT NO. SYSTEM AS FOLLOWING:



② TERMINAL DIMENSION IS NOT INCLUDING SOLDER TIP.

③ FOR THE TIP-PLATING OF THE PINS  
+0.1mm FOR WIDTH, THICKNESS AND DIAMETER.  
+0.5mm FOR LENGTH.

STATUS	PART NO	EC TYPE NAME	PART B	PART A	ITEM
OBSOLETE	1721956-1	ORWH-SS-103H3F,000	3V	ORWH-SS-103H3F	A
OBSOLETE	1721956-2	ORWH-SS-105H3F,000	5V	ORWH-SS-105H3F	B
OBSOLETE	1721956-3	ORWH-SS-106H3F,000	6V	ORWH-SS-106H3F	C
OBSOLETE	1721956-4	ORWH-SS-109H3F,000	9V	ORWH-SS-109H3F	D
ACTIVE	1721956-5	ORWH-SS-112H3F,000	12V	ORWH-SS-112H3F	E
OBSOLETE	1721956-6	ORWH-SS-118H3F,000	18V	ORWH-SS-118H3F	F
OBSOLETE	1721956-7	ORWH-SS-122H3F,000	22V	ORWH-SS-122H3F	G
ACTIVE	1721956-8	ORWH-SS-124H3F,000	24V	ORWH-SS-124H3F	H
OBSOLETE	1721956-9	ORWH-SS-148H3F,000	48V	ORWH-SS-148H3F	I
OBSOLETE	1-1721956-0	ORWH-SH-103H3F,000	3V	ORWH-SH-103H3F	J
OBSOLETE	1-1721956-1	ORWH-SH-105H3F,000	5V	ORWH-SH-105H3F	K
OBSOLETE	1-1721956-2	ORWH-SH-106H3F,000	6V	ORWH-SH-106H3F	L
OBSOLETE	1-1721956-3	ORWH-SH-109H3F,000	9V	ORWH-SH-109H3F	M
ACTIVE	1-1721956-4	ORWH-SH-112H3F,000	12V	ORWH-SH-112H3F	N
OBSOLETE	1-1721956-5	ORWH-SH-118H3F,000	18V	ORWH-SH-118H3F	O
OBSOLETE	1-1721956-6	ORWH-SH-122H3F,000	22V	ORWH-SH-122H3F	P
ACTIVE	1-1721956-7	ORWH-SH-124H3F,000	24V	ORWH-SH-124H3F	Q
OBSOLETE	1-1721956-8	ORWH-SH-148H3F,000	48V	ORWH-SH-148H3F	R

CLASS	UV RESIN	UV SEAL	ITEM	
	UV RESIN	UV SEAL	14	
	EPOXY RESIN	SEAL	13	
CLASS 155 F	MW79	MAGNETIC WIRE	12	
	HCP	COIL TERMINAL	11	
UL94 V-0	PET	BOBBIN	10	
UL94 V-0	NYLON	CASE	9	
	Ag ALLOY	STATIONARY CONTACT	8	
	Ag ALLOY	MOVABLE CONTACT	7	
	Cu ALLOY	MOVABLE SPRING	6	
	Cu ALLOY	NC TERMINAL	5	
	Cu ALLOY	NO TERMINAL	4	
	Ni PLATED	STEEL	CORE	3
	Cu PLATED	STEEL	ARMATURE FORM C	2
	Ni PLATED	STEEL	YOKE	1
INCOMBUSTIBILITY	TREATMENT	MATERIAL	DESCRIPTION	ITEM

THIS DRAWING IS A CONTROLLED DOCUMENT.

DIMENSIONS:	TOLERANCES UNLESS OTHERWISE SPECIFIED:
mm	0 PLC ± -
	1 PLC ± -
	2 PLC ± -
	3 PLC ± -
	4 PLC ± -
	ANGLES ± -
	FINISH -

Diagram dimension	Tolerance
0.99mm max.	±0.1mm
1 - 2.99mm	±0.2mm
3mm min.	±0.3mm

DWN FU BO  
CHK XN.ZHANG  
APVD CH.HSU  
PRODUCT SPEC  
APPLICATION SPEC  
WEIGHT -  
CUSTOMER DRAWING

TE Connectivity

NAME			
ORWH-H3F,000 CUSTOMER DRAWING			
SIZE	CAGE CODE	DRAWING NO	RESTRICTED TO
A3	00779	1721956	-
SCALE	SHEET	REV	
3:1	1 OF 1	C1	

## X-ON Electronics

Largest Supplier of Electrical and Electronic Components

*Click to view similar products for [General Purpose Relays](#) category:*

*Click to view products by [TE Connectivity](#) manufacturer:*

Other Similar products are found below :

[PCN-105D3MH,000](#) [59641F200](#) [5JO-1000CD-SIL](#) [LY1SAC110120](#) [5X827E](#) [5X837F](#) [5X840F](#) [5X842F](#) [5X848E](#) [LY2N-AC120](#) [LY2S-AC220/240](#) [LY2-US-AC120](#) [LY3-US-AC120](#) [LY4F-UA-DC12](#) [LY4F-UA-DC24](#) [LY4F-US-AC120](#) [LY4F-US-AC240](#) [LY4F-US-DC24](#) [LY4F-VD-AC110](#) [LYQ20DC12](#) [M115C60](#) [M115N010](#) [M115N0150](#) [6031007G](#) [603-12D](#) [61211T0B4](#) [61212T400](#) [61222Q400](#) [61243B600](#) [61243C500](#) [61243Q400](#) [61311BOA2](#) [61311BOA6](#) [61311BOA8](#) [61311C0A2](#) [61311COA1](#) [61311COA6](#) [61311F0A2](#) [61311QOA1](#) [61311QOA4](#) [61311T0D6](#) [61311TOA6](#) [61311TOA7](#) [61311TOB3](#) [61311TOB4](#) [61311U0A6](#) [61312Q600](#) [61312T400](#) [61312T600](#) [61313U200](#)