

4

3

2

1

THIS DRAWING IS UNPUBLISHED.

RELEASED FOR PUBLICATION

---

© COPYRIGHT - By TE CONNECTIVITY

ALL RIGHTS RESERVED.

LOC HB DIST -

REVISIONS

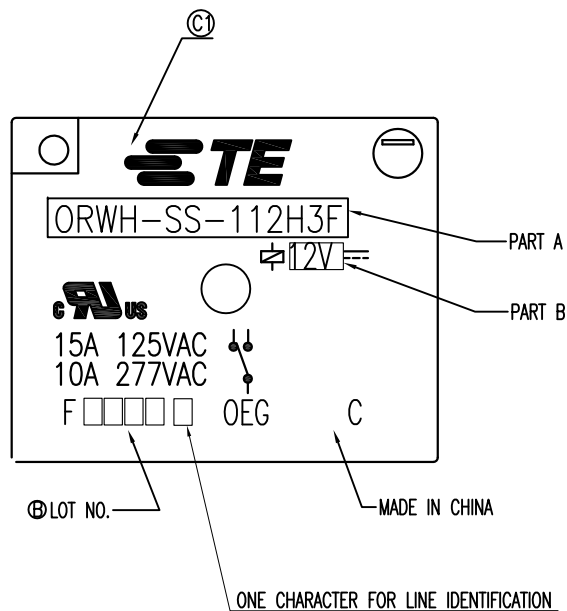
| P | LTR | DESCRIPTION                                   | DATE      | DWN  | APVD  |
|---|-----|---|-----------|------|-------|
|   | C1  | CHANGED LOGO AND UPDATE DRAWING ECO-16-000656 | 20-SEP-15 | BL.L | H.L.C |

D

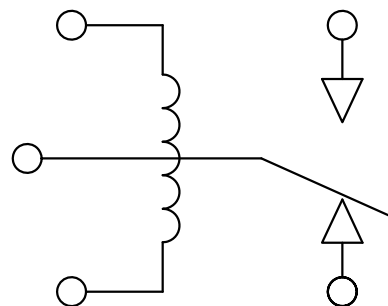
C

B

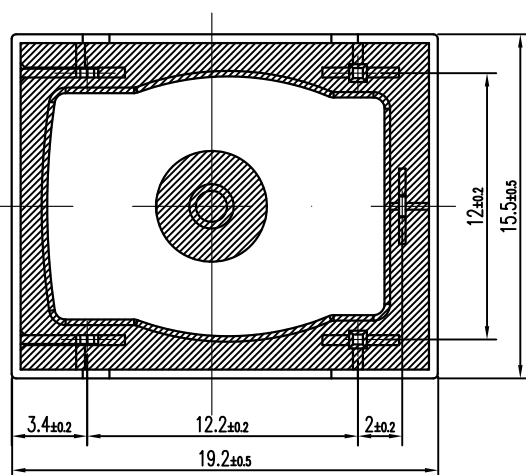
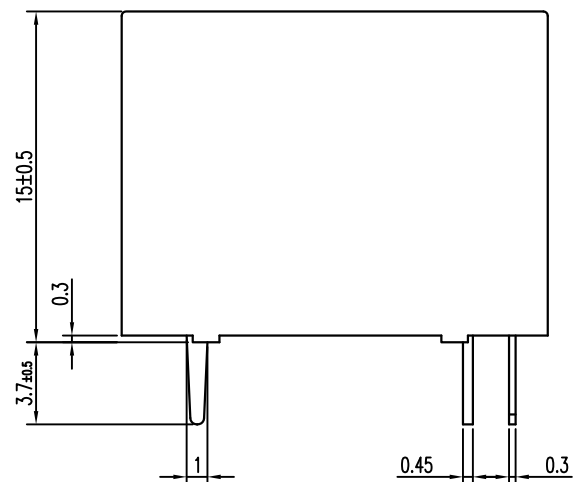
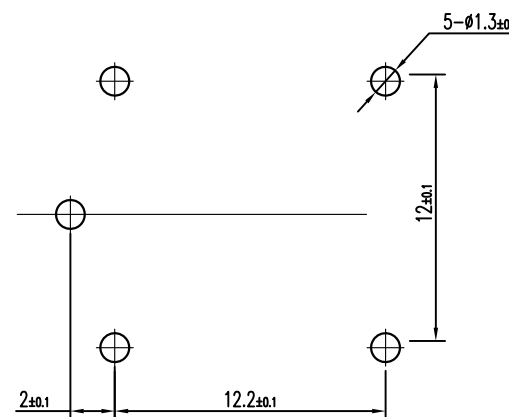
A



CIRCUIT DIAGRAM (BOTTOM VIEW)

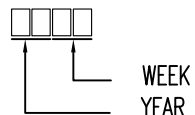


DRILLING DIAGRAM (BOTTOM VIEW)



NOTE

① LOT NO. SYSTEM AS FOLLOWING:



② TERMINAL DIMENSION IS NOT INCLUDING SOLDER TIP.

③ FOR THE TIP-PLATING OF THE PINS  
+0.1mm FOR WIDTH, THICKNESS AND DIAMETER.  
+0.5mm FOR LENGTH.

| STATUS   | PART NO     | EC TYPE NAME       | PART B | PART A         | ITEM |
|----------|-------------|--------------------|--------|----------------|------|
| OBSOLETE | 1721956-1   | ORWH-SS-103H3F,000 | 3V     | ORWH-SS-103H3F | A    |
| OBSOLETE | 1721956-2   | ORWH-SS-105H3F,000 | 5V     | ORWH-SS-105H3F | B    |
| OBSOLETE | 1721956-3   | ORWH-SS-106H3F,000 | 6V     | ORWH-SS-106H3F | C    |
| OBSOLETE | 1721956-4   | ORWH-SS-109H3F,000 | 9V     | ORWH-SS-109H3F | D    |
| ACTIVE   | 1721956-5   | ORWH-SS-112H3F,000 | 12V    | ORWH-SS-112H3F | E    |
| OBSOLETE | 1721956-6   | ORWH-SS-118H3F,000 | 18V    | ORWH-SS-118H3F | F    |
| OBSOLETE | 1721956-7   | ORWH-SS-122H3F,000 | 22V    | ORWH-SS-122H3F | G    |
| ACTIVE   | 1721956-8   | ORWH-SS-124H3F,000 | 24V    | ORWH-SS-124H3F | H    |
| OBSOLETE | 1721956-9   | ORWH-SS-148H3F,000 | 48V    | ORWH-SS-148H3F | I    |
| OBSOLETE | 1-1721956-0 | ORWH-SH-103H3F,000 | 3V     | ORWH-SH-103H3F | J    |
| OBSOLETE | 1-1721956-1 | ORWH-SH-105H3F,000 | 5V     | ORWH-SH-105H3F | K    |
| OBSOLETE | 1-1721956-2 | ORWH-SH-106H3F,000 | 6V     | ORWH-SH-106H3F | L    |
| OBSOLETE | 1-1721956-3 | ORWH-SH-109H3F,000 | 9V     | ORWH-SH-109H3F | M    |
| ACTIVE   | 1-1721956-4 | ORWH-SH-112H3F,000 | 12V    | ORWH-SH-112H3F | N    |
| OBSOLETE | 1-1721956-5 | ORWH-SH-118H3F,000 | 18V    | ORWH-SH-118H3F | O    |
| OBSOLETE | 1-1721956-6 | ORWH-SH-122H3F,000 | 22V    | ORWH-SH-122H3F | P    |
| ACTIVE   | 1-1721956-7 | ORWH-SH-124H3F,000 | 24V    | ORWH-SH-124H3F | Q    |
| OBSOLETE | 1-1721956-8 | ORWH-SH-148H3F,000 | 48V    | ORWH-SH-148H3F | R    |

|                  |           |             |                    |                 |   |
|------------------|-----------|-------------|--------------------|-----------------|---|
|                  |           | UV RESIN    | UV SEAL            | 14              |   |
|                  |           | EPOXY RESIN | SEAL               | 13              |   |
| CLASS 155 F      |           | MW79        | MAGNETIC WIRE      | 12              |   |
|                  |           | HCP         | COIL TERMINAL      | 11              |   |
| UL94 V-0         |           | PET         | BOBBIN             | 10              |   |
| UL94 V-0         |           | NYLON       | CASE               | 9               |   |
|                  |           | Ag ALLOY    | STATIONARY CONTACT | 8               |   |
|                  |           | Ag ALLOY    | MOVABLE CONTACT    | 7               |   |
|                  |           | Cu ALLOY    | MOVABLE SPRING     | 6               |   |
|                  |           | Cu ALLOY    | NC TERMINAL        | 5               |   |
|                  |           | Cu ALLOY    | NO TERMINAL        | 4               |   |
|                  |           | Ni PLATED   | STEEL              | CORE            | 3 |
|                  |           | Cu PLATED   | STEEL              | ARMATURE FORM C | 2 |
|                  |           | Ni PLATED   | STEEL              | YOKE            | 1 |
| INCOMBUSTIBILITY | TREATMENT | MATERIAL    | DESCRIPTION        | ITEM            |   |

THIS DRAWING IS A CONTROLLED DOCUMENT.

DWN FU BO

CHK XN.ZHANG

APVD CH.HSU

PRODUCT SPEC

APPLICATION SPEC

WEIGHT -

CUSTOMER DRAWING

NAME

TE Connectivity

ORWH-H3F,000 CUSTOMER DRAWING

| SIZE | CAGE CODE | DRAWING NO | RESTRICTED TO |
|------|-----------|------------|---------------|
| A3   | 00779     | 1721956    | -             |

SCALE 3:1 SHEET 1 OF 1 REV C1

| Diagram dimension | Tolerance |
|-------------------|-----------|
| 0.99mm max.       | ±0.1mm    |
| 1 - 2.99mm        | ±0.2mm    |
| 3mm min.          | ±0.3mm    |

| DIMENSIONS: | TOLERANCES UNLESS OTHERWISE SPECIFIED: |
|-------------|--|
| mm          |  |
| 0 PLC       | ± -                                    |
| 1 PLC       | ± -                                    |
| 2 PLC       | ± -                                    |
| 3 PLC       | ± -                                    |
| 4 PLC       | ± -                                    |
| ANGLES      | ± -                                    |
| FINISH      | -                                      |
| MATERIAL    | -                                      |

## X-ON Electronics

Largest Supplier of Electrical and Electronic Components

*Click to view similar products for [General Purpose Relays](#) category:*

*Click to view products by [TE Connectivity](#) manufacturer:*

Other Similar products are found below :

[PCN-105D3MH,000](#) [59641F200](#) [5JO-1000CD-SIL](#) [LY1SAC110120](#) [5X827E](#) [5X837F](#) [5X840F](#) [5X842F](#) [5X848E](#) [LY2N-AC120](#) [LY2S-AC220/240](#) [LY2-US-AC120](#) [LY3-US-AC120](#) [LY4F-UA-DC12](#) [LY4F-UA-DC24](#) [LY4F-US-AC120](#) [LY4F-US-AC240](#) [LY4F-US-DC24](#) [LY4F-VD-AC110](#) [LYQ20DC12](#) [M115C60](#) [M115N010](#) [M115N0150](#) [6031007G](#) [603-12D](#) [61211T0B4](#) [61212T400](#) [61222Q400](#) [61243B600](#) [61243C500](#) [61243Q400](#) [61311BOA2](#) [61311BOA6](#) [61311BOA8](#) [61311C0A2](#) [61311COA1](#) [61311COA6](#) [61311F0A2](#) [61311QOA1](#) [61311QOA4](#) [61311T0D6](#) [61311TOA6](#) [61311TOA7](#) [61311TOB3](#) [61311TOB4](#) [61311U0A6](#) [61312Q600](#) [61312T400](#) [61312T600](#) [61313U200](#)