

4

3

2

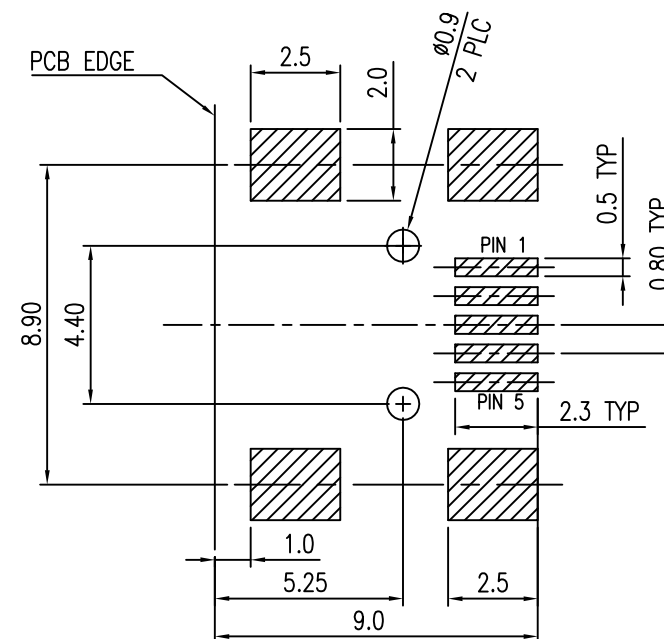
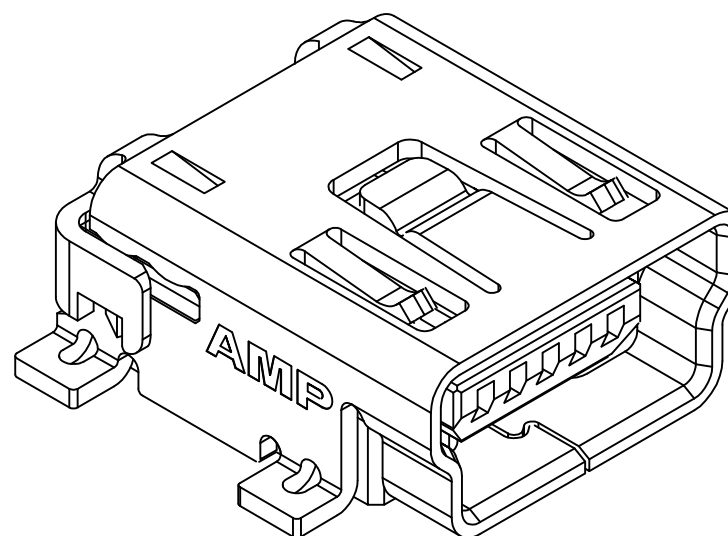
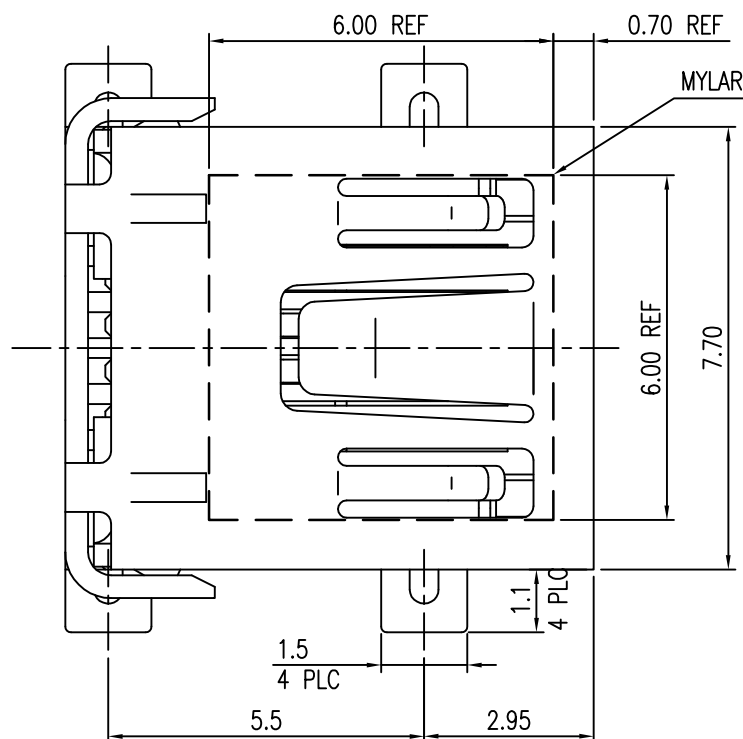
1

THIS DRAWING IS UNPUBLISHED.

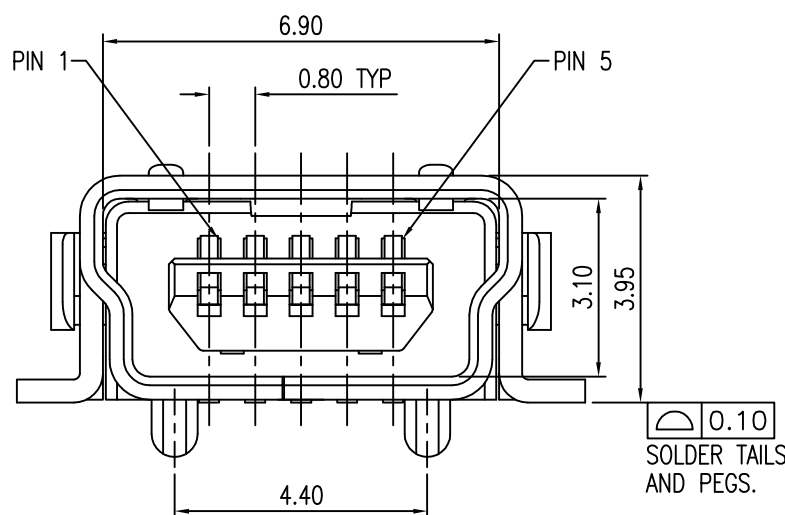
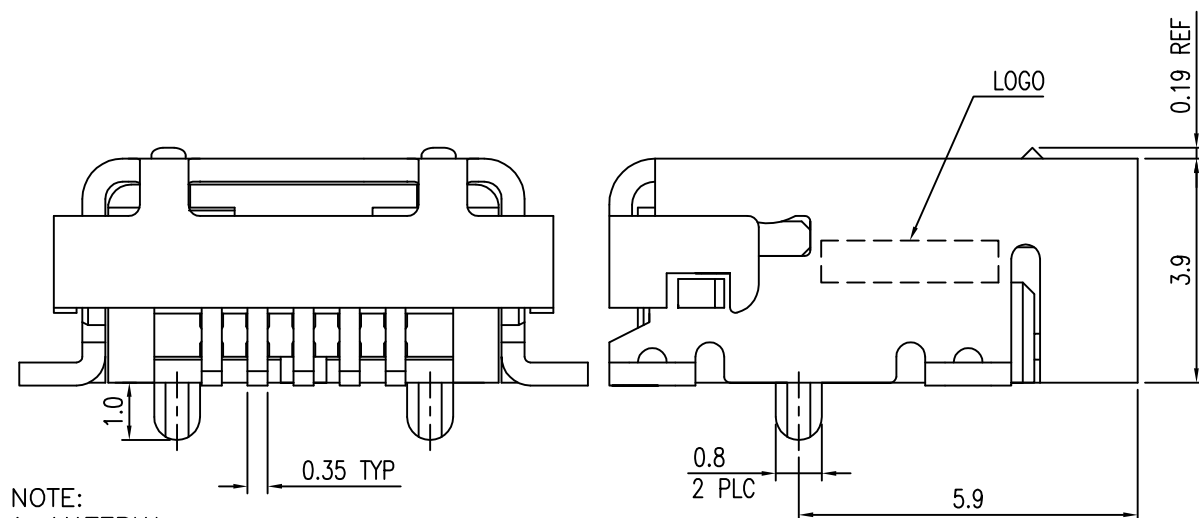
RELEASED FOR PUBLICATION

© COPYRIGHT BY TYCO ELECTRONICS CORPORATION. ALL RIGHTS RESERVED.

| LOC | DIST | REVISIONS | | | | | |
|-----|------|-----------|-----|------------------------|---------|-----|------|
| DW | - | P | LTR | DESCRIPTION | DATE | DWN | APVD |
| | | F | | REVISED SHELL MATERIAL | 18MAY16 | BL | J.L |



RECOMMENDED PCB LAYOUT (MOUNTING SIDE)
THICKNESS 1.57mm (TOLERANCE: ±0.05)



- NOTE:
- MATERIAL:
HOUSING: PA9T WITH 33% GF, UL 94V-0, COLOR: SEE TABLE.
CONTACTS: PHOSPHOR BRONZE.
SHELL: SUS304, THICKNESS=0.40MM.
MYLAR: POLYAMIDE FILM.
 - FINISH:
CONTACTS: GOLD FLASH OVER
0.762µm [30µ"] MIN. PALLADIUM-NICKEL PLATED ON CONTACT AREA,
 - ▲ 2.54µm [100µ"] MIN. MATTE-TIN ON SOLDER TAIL,
 - △ 2.54µm [100µ"] MIN. MATTE-TIN ON SOLDER TAIL,
 - △ 3.05µm [120µ"] MIN. MATTE-TIN ON SOLDER TAIL,
WITH ENTIRE CONTACT UNDERPLATED 1.27µm [50µ"] MIN. NICKEL.
SHELL: ▲ & △ 1.27µm [50µ"] MIN. NICKEL PLATED OVERALL.
△ 0.76µm [30µ"] MIN. MATTE-TIN OVER 1.27µm [50µ"] MIN. NICKEL.
 - NO DATECODE ON PRODUCT SURFACE.
 - REFLOW SOLDER CAPABLE TO 260°C PER TE TEST SPEC. 109-201, CONDITION B.

| | | | | | | | |
|---|---------|---------------|-------|---------------------------|---------|-------------|-------------|
| ▲ | BLACK | W/O | W/O | TAPE REEL | W/ | 3-1734035-2 | |
| | BLACK | W/ | W/O | TAPE REEL | W/ | 2-1734035-4 | |
| △ | BLACK | W/O | W/ | TAPE REEL | W/ | 2-1734035-3 | |
| | BLACK | W/O | W/ | TAPE REEL | W/ | 2-1734035-2 | |
| | BLACK | W/O | N/A | TRAY | W/ | 2-1734035-1 | |
| ▲ | NATURAL | W/ | W/O | TAPE REEL | W/ | 1734035-5 | |
| | BLACK | W/ | W/O | TAPE REEL | W/ | 1734035-4 | |
| | BLACK | W/O | W/ | TAPE REEL | W/ | 1734035-3 | |
| | BLACK | W/O | W/O | TAPE REEL | W/ | 1734035-2 | |
| | BLACK | W/O | N/A | TRAY | W/ | 1734035-1 | |
| | PLATED | HOUSING COLOR | MYLAR | LONG CARRIER & COVER TAPE | PACKAGE | POST | PART NUMBER |

| | | | | | |
|--|--|---------------------------|-----------|-----------|---------------------|
| THIS DRAWING IS A CONTROLLED DOCUMENT. | | DWN | O. HU | 21DEC2007 | TE Connectivity |
| | | CHK | S. HOU | 21DEC2007 | |
| | | APVD | W. KODAMA | 21DEC2007 | NAME |
| | | PRODUCT SPEC | | | 108-57062 |
| | | QUALIFICATION TEST REPORT | | | 501-57070 |
| | | WEIGHT | | | -- |
| | | CUSTOMER DRAWING | | | SCALE |
| | | SHEET | | | 1 of 4 |
| | | REV | | | F |

4

3

2

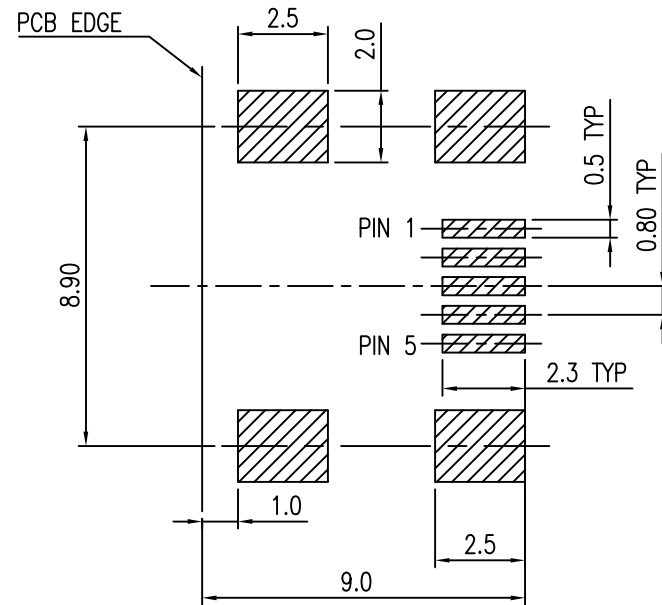
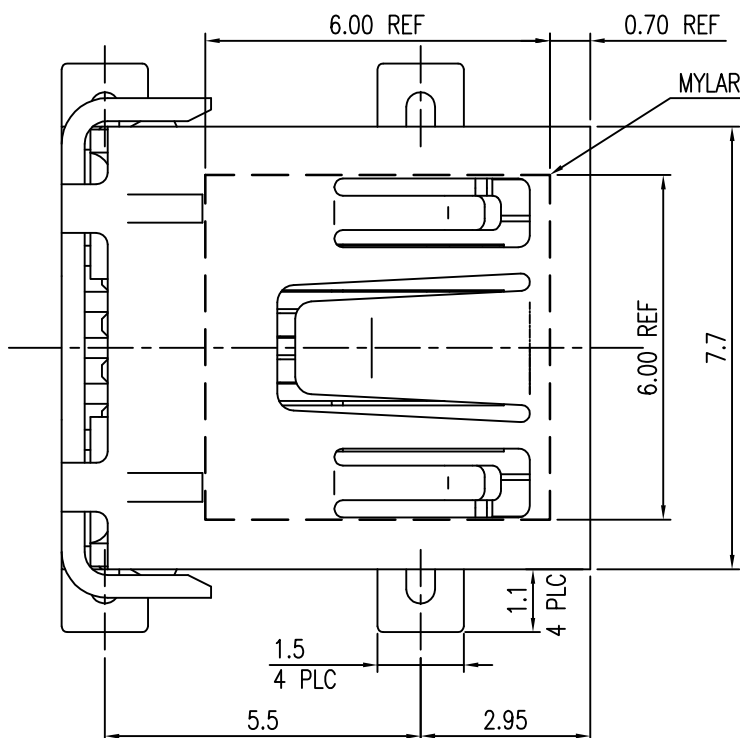
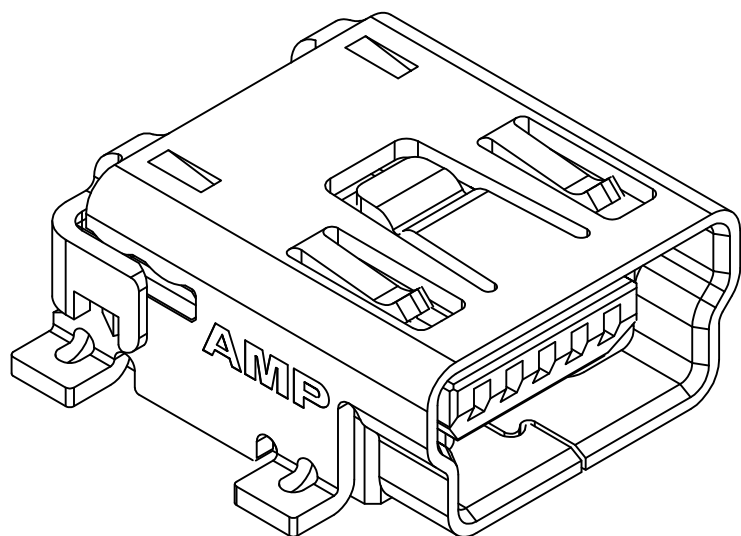
1

THIS DRAWING IS UNPUBLISHED.

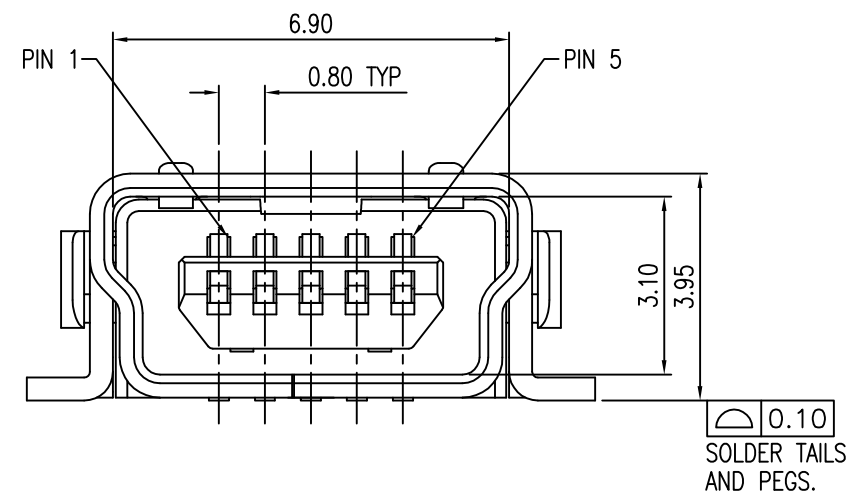
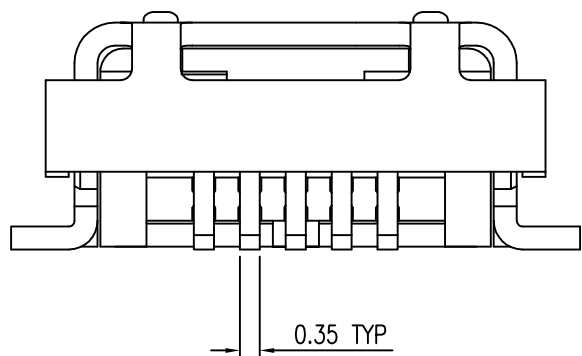
RELEASED FOR PUBLICATION

© COPYRIGHT BY TYCO ELECTRONICS CORPORATION. ALL RIGHTS RESERVED.

| LOC | DIST | REVISIONS | | | | |
|-----|------|--------------|------|-----|------|--|
| P | LTR | DESCRIPTION | DATE | DWN | APVD | |
| DW | - | SEE SHEET 1. | | | | |



RECOMMENDED PCB LAYOUT (MOUNTING SIDE)
THICKNESS 1.57mm (TOLERANCE:±0.05)



NOTE:

- MATERIAL:
HOUSING: PA9T WITH 33% GF, UL 94V-0, BLACK COLOR.
CONTACTS: PHOSPHOR BRONZE.
SHELL: SUS304, THICKNESS=0.40MM.
MYLAR: POLYAMIDE FILM.
- FINISH:
CONTACTS: GOLD FLASH OVER
0.762µm [30µ"] MIN. PALLADIUM-NICKEL PLATED ON CONTACT AREA,
2.54µm [100µ"] MIN. MATTE-TIN ON SOLDER TAIL, WITH
ENTIRE CONTACT UNDERPLATED 1.27µm [50µ"] MIN. NICKEL.
SHELL: 1.27µm [50µ"] MIN. NICKEL PLATED OVERALL.
- NO DATECODE ON PRODUCT SURFACE.
- REFLOW SOLDER CAPABLE TO 260°C PER TE TEST SPEC.
109-201, CONDITION B.

| | | | | |
|-------|---------------------------|-----------|------|-------------|
| W/ | W/O | TAPE REEL | W/O | 4-1734035-2 |
| | W/ | TAPE REEL | W/O | 1-1734035-3 |
| W/O | W/O | TAPE REEL | W/O | 1-1734035-2 |
| | N/A | TRAY | W/O | 1-1734035-1 |
| MYLAR | LONG CARRIER & COVER TAPE | PACKAGE | POST | PART NUMBER |

| | | | | | | | | | | | | | | | | | |
|---|--------|------------------|---------------|-----------|------------|-------|--------|-------|--------|-------|-----|--------|------|--------------|----------------------------|--|--|
| THIS DRAWING IS A CONTROLLED DOCUMENT. | | DWN | | | | | | | | | | | | | | | |
| DIMENSIONS: MM | | CHK | | | | | | | | | | | | | | | |
| TOLERANCES UNLESS OTHERWISE SPECIFIED: | | APVD | NAME | | | | | | | | | | | | | | |
| <table border="1"> <tr><td>0 PLC</td><td>± 0.38</td></tr> <tr><td>1 PLC</td><td>± 0.25</td></tr> <tr><td>2 PLC</td><td>± 0.13</td></tr> <tr><td>3 PLC</td><td>± 0.05</td></tr> <tr><td>4 PLC</td><td>± -</td></tr> <tr><td>ANGLES</td><td>± 3'</td></tr> </table> | | 0 PLC | ± 0.38 | 1 PLC | ± 0.25 | 2 PLC | ± 0.13 | 3 PLC | ± 0.05 | 4 PLC | ± - | ANGLES | ± 3' | PRODUCT SPEC | MINI USB, R/A, SMT, B TYPE | | |
| 0 PLC | ± 0.38 | | | | | | | | | | | | | | | | |
| 1 PLC | ± 0.25 | | | | | | | | | | | | | | | | |
| 2 PLC | ± 0.13 | | | | | | | | | | | | | | | | |
| 3 PLC | ± 0.05 | | | | | | | | | | | | | | | | |
| 4 PLC | ± - | | | | | | | | | | | | | | | | |
| ANGLES | ± 3' | | | | | | | | | | | | | | | | |
| MATERIAL | | APPLICATION SPEC | SIZE | CAGE CODE | DRAWING NO | | | | | | | | | | | | |
| SEE NOTE | | WEIGHT | A3 | 00779 | C=1734035 | | | | | | | | | | | | |
| | | CUSTOMER DRAWING | RESTRICTED TO | | | | | | | | | | | | | | |
| | | SCALE | SHEET | 2 of 4 | REV F | | | | | | | | | | | | |

4

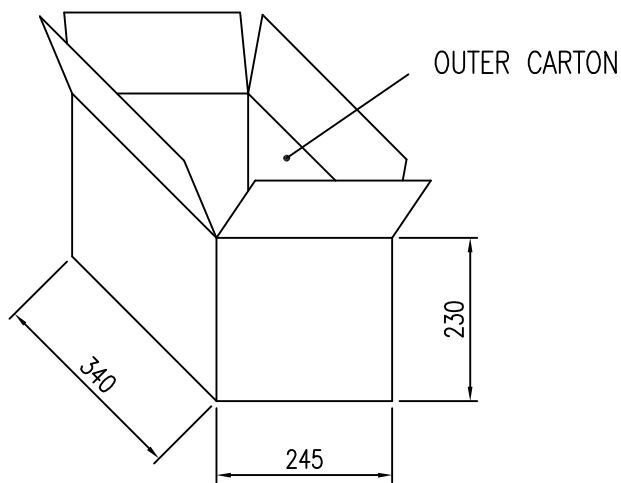
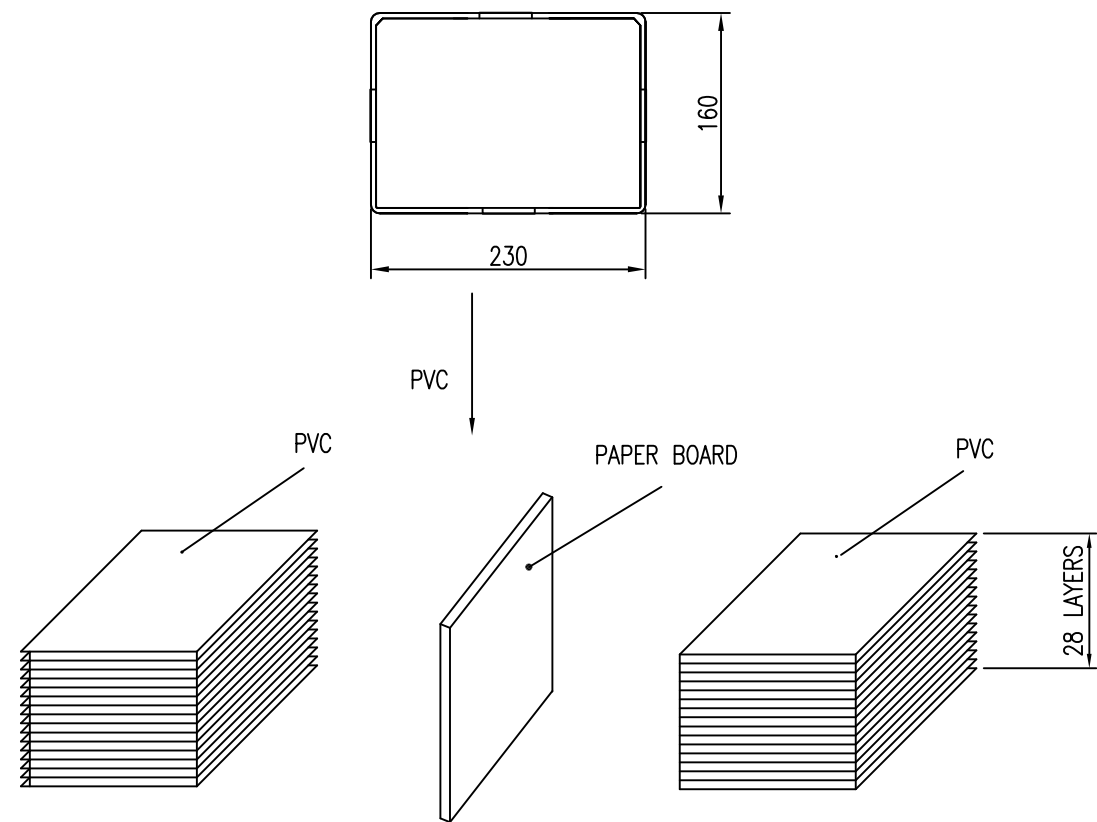
3

2

1

THIS DRAWING IS UNPUBLISHED. RELEASED FOR PUBLICATION
 © COPYRIGHT BY TYCO ELECTRONICS CORPORATION. ALL RIGHTS RESERVED.

| LOC | DIST | REVISIONS | | | |
|-----|------|--------------|------|-----|------|
| P | LTR | DESCRIPTION | DATE | DWN | APVD |
| DW | - | SEE SHEET 1. | | | |

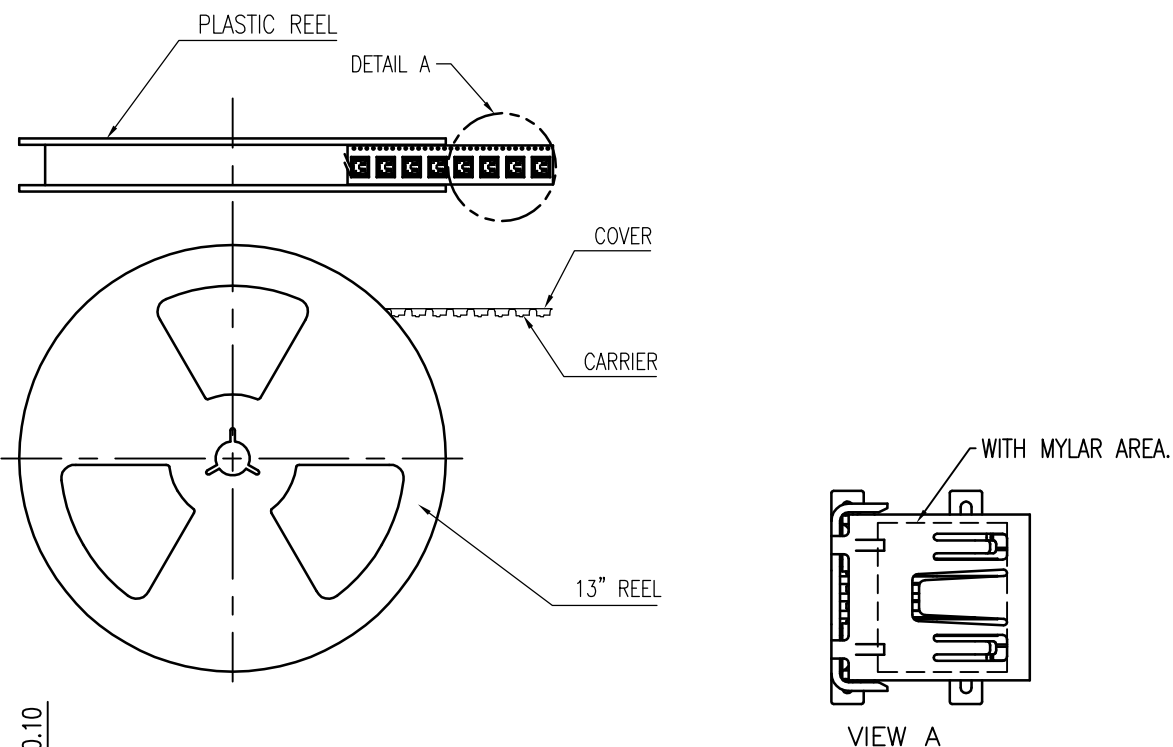


| | | | | | |
|--------------|------------|----------|---------------|----------|-------------|
| 8.25 Kg | 5.55 Kg | 150 | 56 | 8400 PCS | 2-1734035-1 |
| GROSS WEIGHT | NET WEIGHT | PCS/TRAY | TRAYS /CARTON | QUANTITY | 1-1734035-1 |
| | | | | | 1734035-1 |
| | | | | | PART NUMBER |

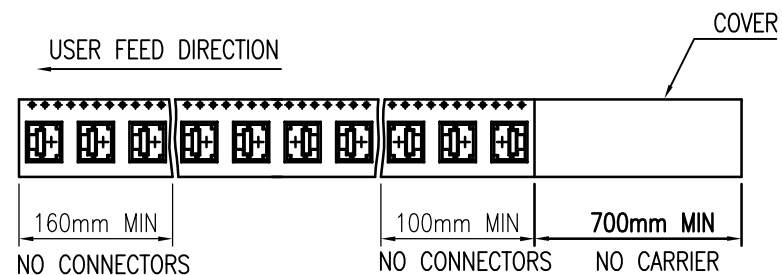
| | | | | | |
|--|--|------------------|----------------------------|-----------|---------------|
| THIS DRAWING IS A CONTROLLED DOCUMENT. | | DWN | STE TE Connectivity | | |
| DIMENSIONS: MM | | CHK | | | |
| TOLERANCES UNLESS OTHERWISE SPECIFIED: | | APVD | NAME | | |
| 0 PLC ± - | | PRODUCT SPEC | MINI USB, R/A, SMT, B TYPE | | |
| 1 PLC ± - | | APPLICATION SPEC | SIZE | CAGE CODE | DRAWING NO |
| 2 PLC ± - | | WEIGHT | A3 | 00779 | 1734035 |
| 3 PLC ± - | | FINISH | CUSTOMER DRAWING | | RESTRICTED TO |
| 4 PLC ± - | | | SCALE | SHEET | REV |
| ANGLES ± - | | - | 3 of 4 | F | |

THIS DRAWING IS UNPUBLISHED. RELEASED FOR PUBLICATION
 © COPYRIGHT BY TYCO ELECTRONICS CORPORATION. ALL RIGHTS RESERVED.

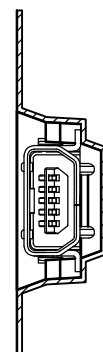
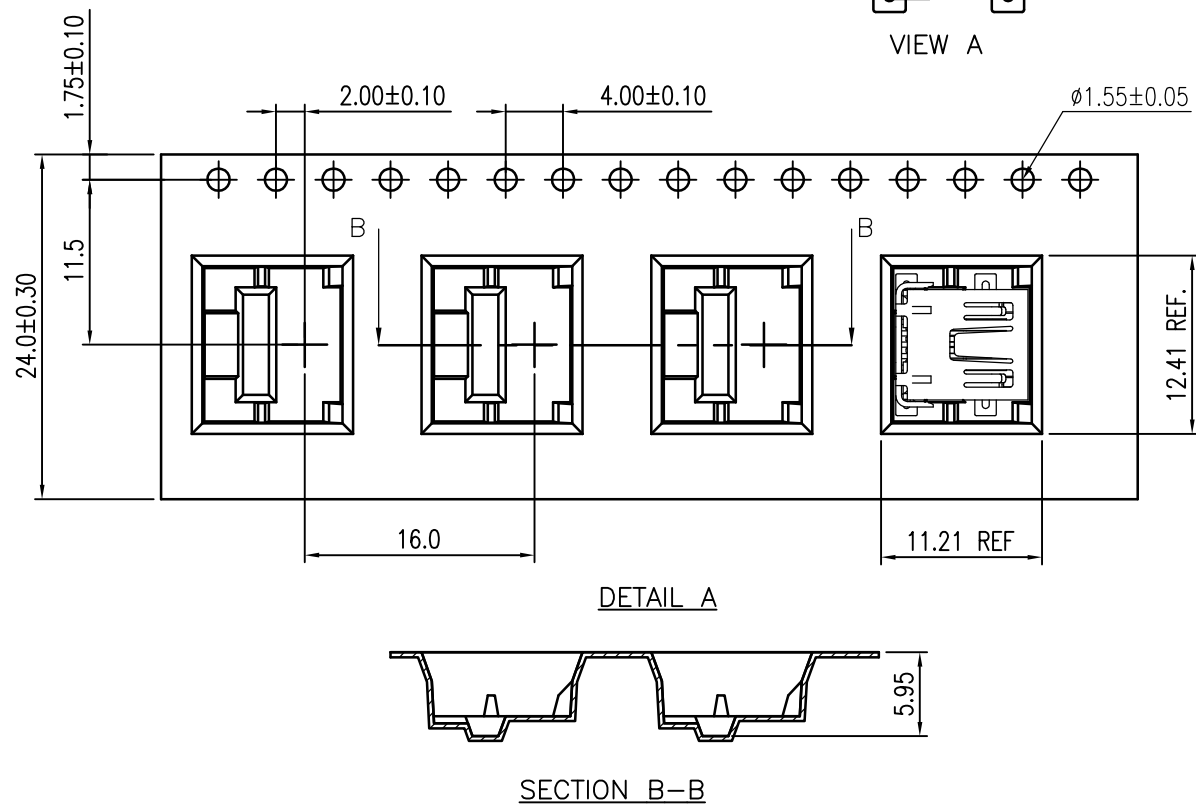
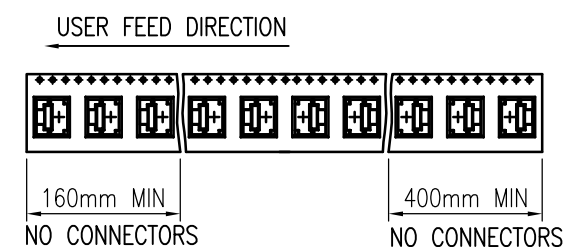
| LOC | DIST | REVISIONS | | | | | |
|-----|------|-----------|-----|--------------|------|-----|------|
| DW | - | P | LTR | DESCRIPTION | DATE | DWN | APVD |
| | | | | SEE SHEET 1. | | | |



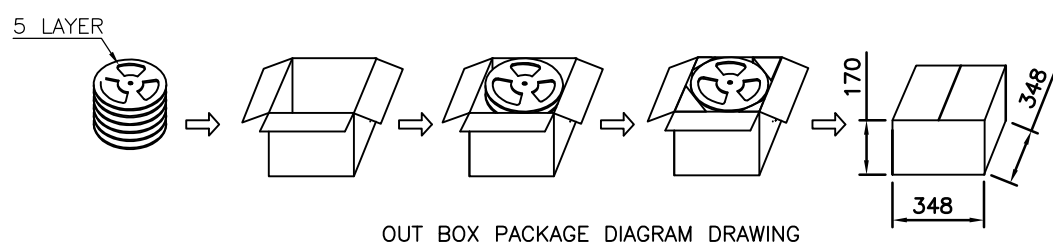
FOR 1734035-3, 1-1734035-3 AND 2-1734035-3 (LONG CARRIER & COVER TAPE)



FOR 1734035-2, 1734035-4, 1734035-5, 1-1734035-2, 3-1734035-2, 2-1734035-2, 2-1734035-4, 4-1734035-2



| GROSS WEIGHT | NET WEIGHT | PCS/REER | REERS / CARTON | QUANTITY | MYLAR | LONG CARRIER & COVER TAPE | PART NUMBER |
|--------------|------------|----------|----------------|----------|-------|---------------------------|-------------|
| 4.95 Kg | 2.31 Kg | 700 | 5 | 3500 | W/ | W/O | 4-1734035-2 |
| | | | | | W/O | W/O | 3-1734035-2 |
| | | | | | W/ | W/O | 2-1734035-4 |
| | | | | | W/O | W/ | 2-1734035-3 |
| | | | | | W/O | W/O | 2-1734035-2 |
| | | | | | W/O | W/ | 1-1734035-3 |
| | | | | | W/O | W/O | 1-1734035-2 |
| | | | | | W/ | W/O | 1734035-5 |
| | | | | | W/ | W/O | 1734035-4 |
| | | | | | W/O | W/ | 1734035-3 |
| | | | | | W/O | W/O | 1734035-2 |



THIS DRAWING IS A CONTROLLED DOCUMENT.

| | | | |
|------------------|--|--------------|---|
| DIMENSIONS: MM | TOLERANCES UNLESS OTHERWISE SPECIFIED: | DWN | TE Connectivity NAME MINI USB, R/A, SMT, B TYPE |
| | 0 PLC ± - | CHK | |
| | 1 PLC ± - | APVD | |
| | 2 PLC ± - | PRODUCT SPEC | |
| MATERIAL | FINISH | APVD | SIZE CAGE CODE DRAWING NO RESTRICTED TO A3 00779 C=1734035 |
| CUSTOMER DRAWING | | WEIGHT | SCALE SHEET 4 of 4 REV F |

X-ON Electronics

Largest Supplier of Electrical and Electronic Components

Click to view similar products for [USB Connectors](#) category:

Click to view products by [TE Connectivity](#) manufacturer:

Other Similar products are found below :

[65-647-8-BK-BU](#) [950](#) [952](#) [E8144-B01021-L](#) [A-USB B-TOP-C](#) [MUSBA511N5](#) [MUSBD11135](#) [217450-1](#) [KMBVX-TH-5S-B30](#) [896-30-004-00-000000](#) [KUSBVX-BS1N-W30](#) [KUSBX-AP-KIT-SCBLK](#) [KUSBX-AS2N-W](#) [KUSBX-SMT2AP1S-W](#) [KUSBX-SMT2AP1S-W30](#) [935](#) [957](#) [30-498-6](#) [SK-60A-2](#) [17-210051](#) [1734082-1](#) [30-1574](#) [30-470](#) [30-489](#) [30-541](#) [30-572-3](#) [A-USB A-2P-C](#) [MIKROE-1451](#) [USBFTV2PEM2G](#) [USBFTVC6ZN](#) [KUSBX-AS2N-W30](#) [KUSBX-SLAS1N-W](#) [KUSBX-SMT-AS1N-W30](#) [4689-1](#) [1-1734084-2](#) [E8110-001-01](#) [33UBARS1-04SW11](#) [33UBAR-04SW11](#) [USBF21ZNSCC](#) [USBBFTV6ZC](#) [10135326-001LF](#) [M9177/3-1](#) [USB-A-S-F-B-VT](#) [925](#) [4198](#) [690-024-633-031](#) [KUSBEX-BSFS1N-W](#) [USBFTVC6MRG](#) [UA-20BMFA-SL8001](#) [17-250101](#)