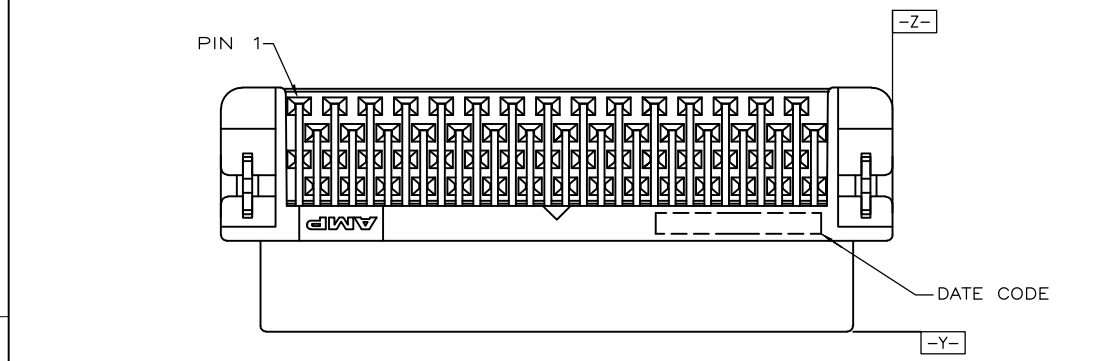


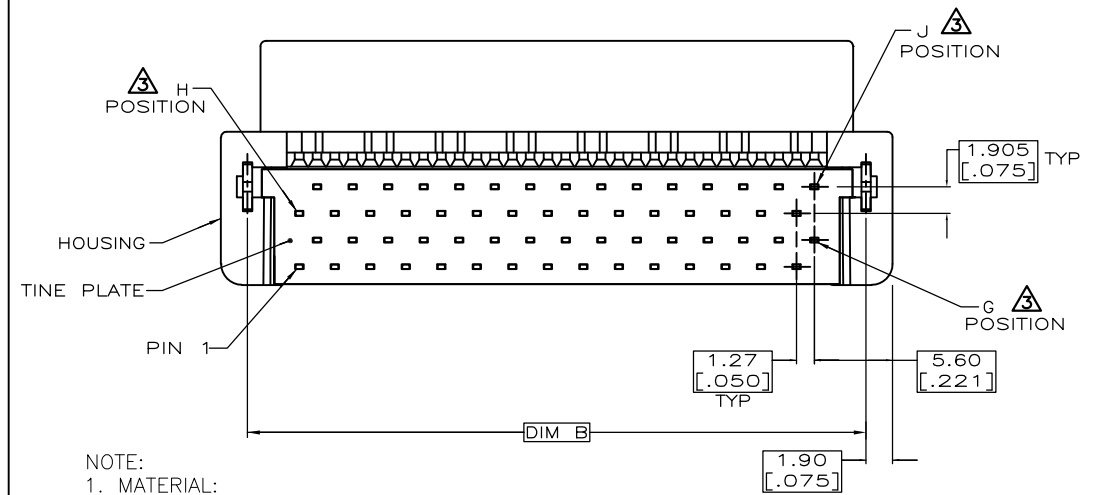
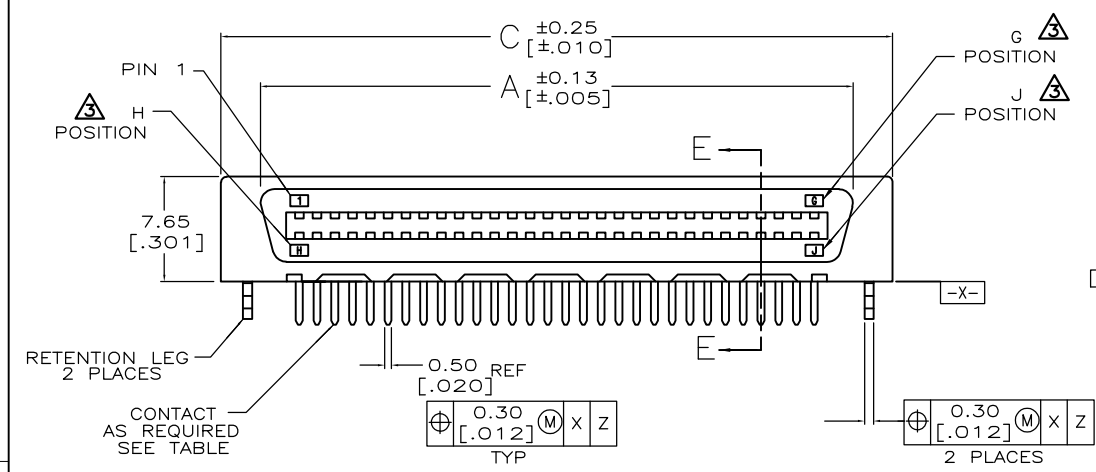
THIS DRAWING IS UNPUBLISHED. RELEASED FOR PUBLICATION
 © COPYRIGHT - By - ALL RIGHTS RESERVED.

LOC	DIST	REVISIONS			
P	LTR	DESCRIPTION	DATE	DWN	APVD
		G1	REVISED PER ECR-12-013026	08APR13	K.M E.T

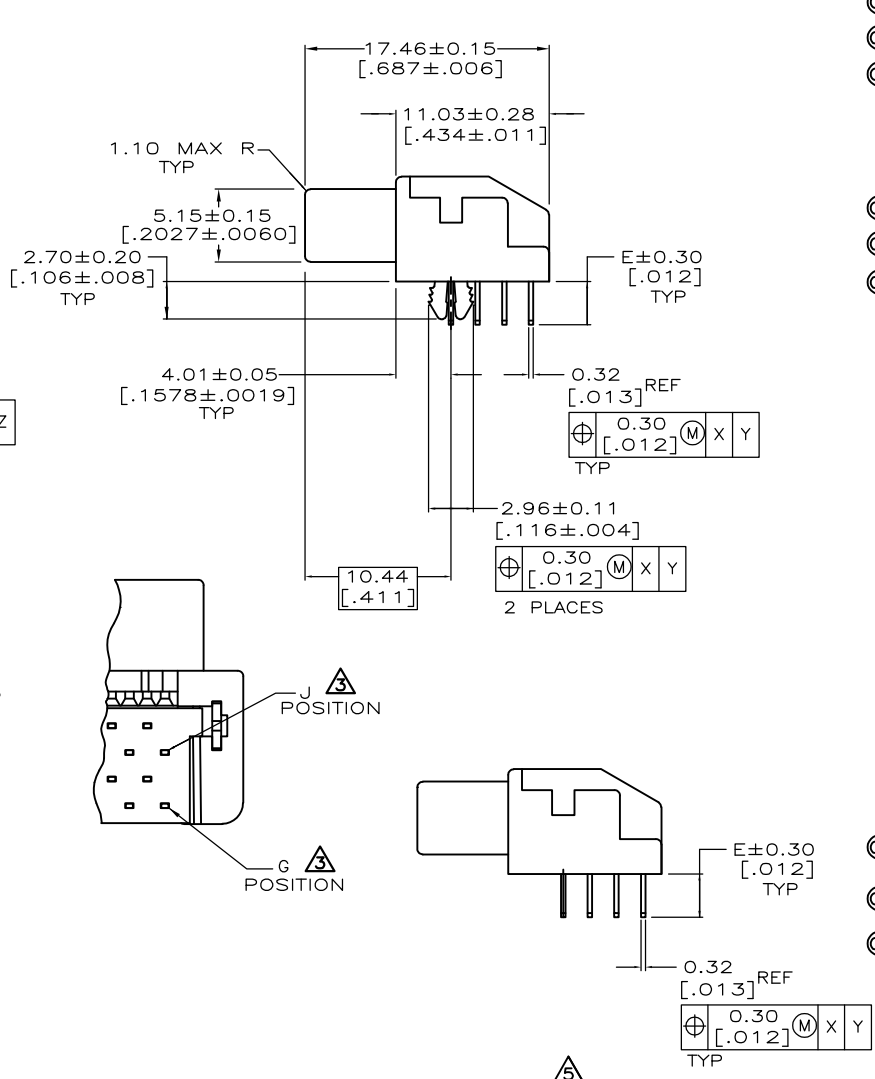


FOR 40,60,68,80,100,120,
 140,160,180,200 POSITIONS ONLY

FOR 50, AND 130
 POSITIONS ONLY



- NOTE:
 1. MATERIAL:
 HOUSING: LIQUID CRYSTAL POLYMER (LCP), UL 94V-0, BLACK COLOR.
 CONTACTS: PHOSPHOR BRONZE.
 BOARDLOCKS: BRASS.
 2. FINISH:
 CONTACTS: (SEE TABLE) GOLD PLATED ON CONTACT AREA,
 3.81µm [150µ"] MIN. MATTE-TIN ON SOLDER TAIL, OVER
 1.27mm [50m"] MIN. NICKEL UNDERPLATED.
 BOARDLOCKS: 3.81µm [150µ"] MIN. TIN-Cu OVER
 1.27mm [50m"] MIN. UNDERPLATED.
 G, J, AND H INDICATES NUMBER OF POSITION MARKED ON ASSEMBLY.
 ALSO SEE TABLE.
 CONNECTOR SOLDER TAILS WILL ACCOMMODATE PRINTED CIRCUIT BOARD
 THICKNESS OF 0.80 TO 1.60 [.031 TO .063].
 BOARDLOCKS NOT PRESENT.
 6. WAVE SOLDER CAPABLE TO 265°C PER TEST SPEC.
 109-202, CONDITION B.
 GOLD FLASH OVER
 0.762µm [30µ"] MIN. PALLADIUM-NICKEL PLATED.
 OBSOLETE



LOC	DIST	P	LTR	DESCRIPTION	DATE	DWN	APVD	FINISH	PART NUMBER	POS.
				GOLD FLASH	5-1734037-6					
				0.381µm[15u"]	3-1734037-6	160				
					1-1734037-6					
				GOLD FLASH	5-1734037-4					
				0.381µm[15u"]	3-1734037-4	140				
					1-1734037-4					
				GOLD FLASH	2-1734037-0					
				0.381µm[15u"]	1-1734037-8	120				
					1-1734037-2					
				GOLD FLASH	5-1734037-1					
				0.381µm[15u"]	3-1734037-1	100				
					1-1734037-1					
				GOLD FLASH	5-1734037-0					
				0.381µm[15u"]	3-1734037-0	100				
					1-1734037-0					
				GOLD FLASH	4-1734037-7					
				0.381µm[15u"]	2-1734037-7	68				
					1734037-7					
				GOLD FLASH	4-1734037-6					
				0.381µm[15u"]	2-1734037-6	60				
					1734037-6					
				GOLD FLASH	4-1734037-5					
				0.381µm[15u"]	2-1734037-5	50				
					1734037-5					
				GOLD FLASH	4-1734037-4					
				0.381µm[15u"]	2-1734037-4	40				
					1734037-4					
				GOLD FLASH	4-1734037-2					
				0.381µm[15u"]	2-1734037-2	80				
					1734037-2					
				GOLD FLASH	4-1734037-1					
				0.381µm[15u"]	2-1734037-1	80				
					1734037-1					

THIS DRAWING IS A CONTROLLED DOCUMENT.

DIMENSIONS: mm

TOLERANCES UNLESS OTHERWISE SPECIFIED:
 0 PLC ± -
 1 PLC ± 0.3
 2 PLC ± 0.2
 3 PLC ± -
 4 PLC ± -
 ANGLES ± 3'

MATERIAL: SEE NOTE
 FINISH: SEE NOTE

DWN: F. YANG 31MAR2009
 CHK: S. CHIEN 31MAR2009
 APVD: W. KODAMA 31MAR2009
 PRODUCT SPEC: 108-57876
 APPLICATION SPEC: -

STE TE Connectivity

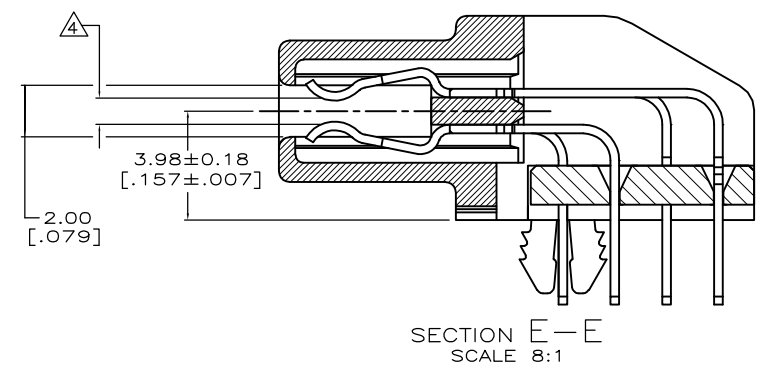
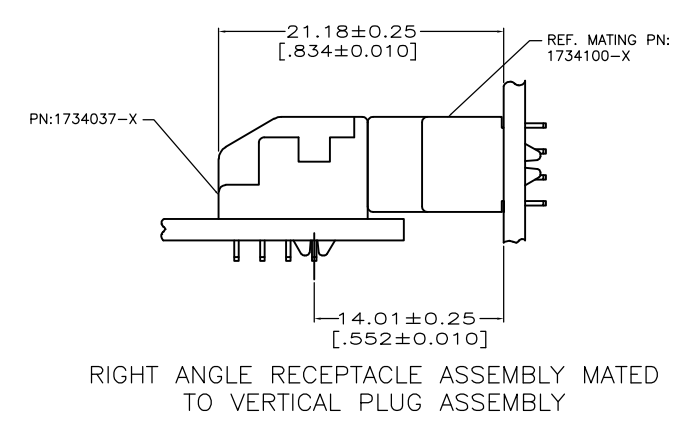
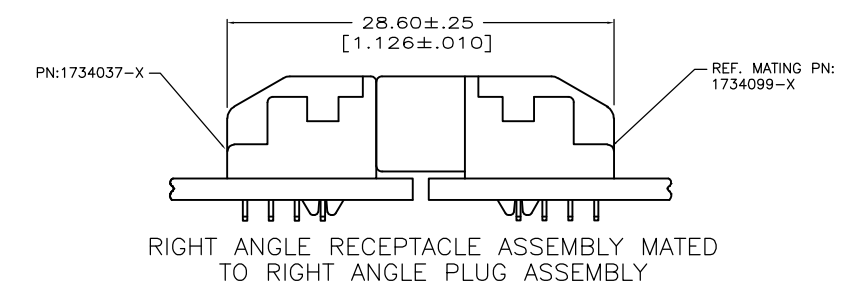
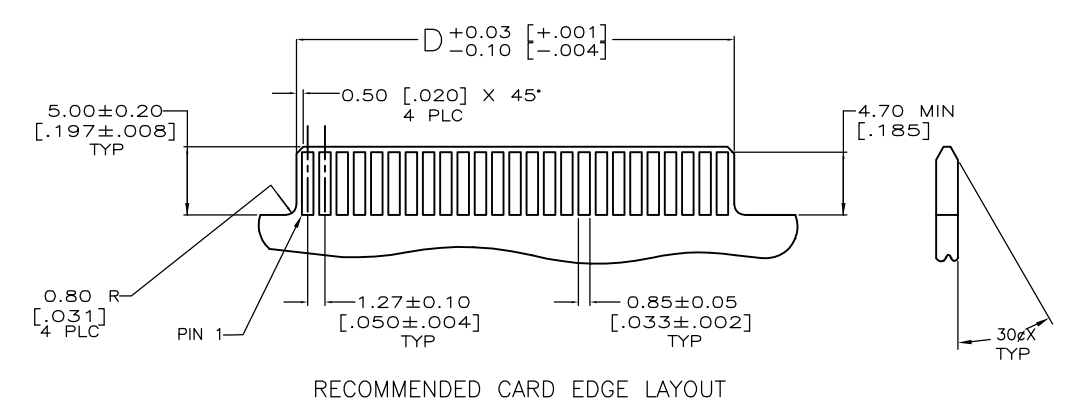
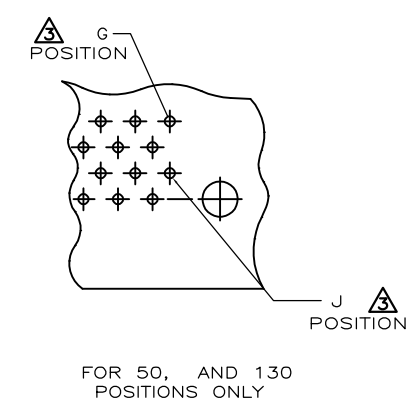
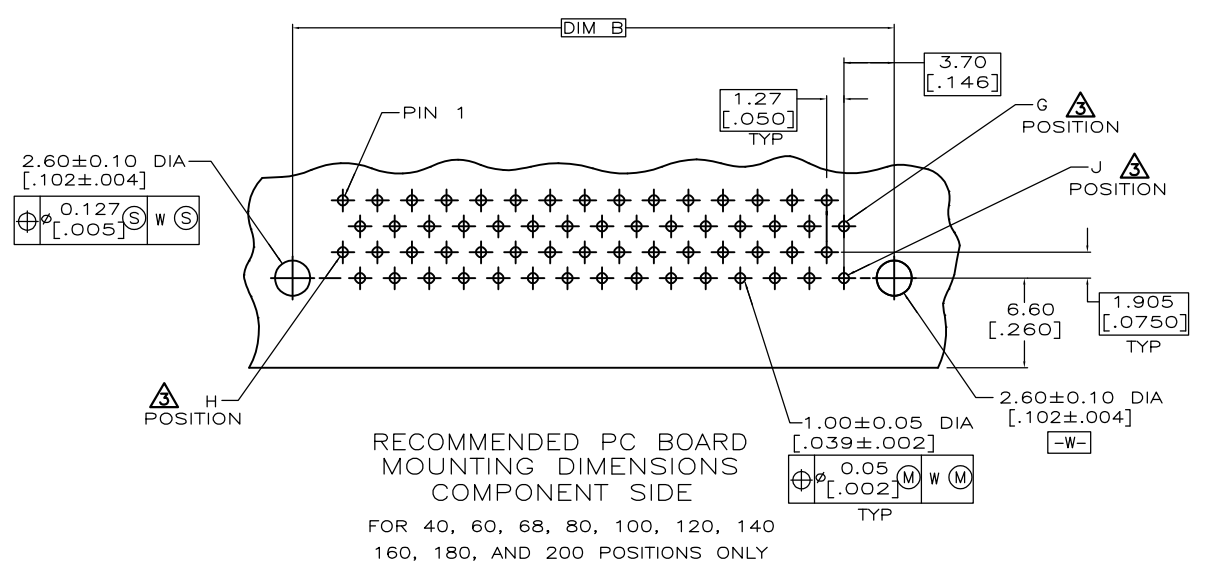
RECEPTACLE ASSEMBLY, R/A,
 BTB, CHAMP.050, SERIES I

SIZE: A3
 CAGE CODE: 00779
 DRAWING NO: C-1734037
 RESTRICTED TO: -

CUSTOMER DRAWING
 SCALE: -
 SHEET: 1 OF 4
 REV: G1

THIS DRAWING IS UNPUBLISHED. RELEASED FOR PUBLICATION
 © COPYRIGHT - By - ALL RIGHTS RESERVED.

LOC	DIST	REVISIONS			
P	LTR	DESCRIPTION	DATE	DWN	APVD
DW	/	SEE SHEET 1	-	-	-



THIS DRAWING IS A CONTROLLED DOCUMENT.		DWN	STE TE Connectivity		
DIMENSIONS: mm		CHK	NAME		
TOLERANCES UNLESS OTHERWISE SPECIFIED:		APVD	RECEPTACLE ASSEMBLY, R/A, BTB, CHAMP.050, SERIES I		
0 PLC	± -	PRODUCT SPEC	SIZE	CAGE CODE	DRAWING NO
1 PLC	± -	APPLICATION SPEC	A3	00779	C-1734037
2 PLC	± -	WEIGHT	RESTRICTED TO		
3 PLC	± -	CUSTOMER DRAWING	SCALE	SHEET	REV
4 PLC	± -		-	2 OF 4	G1
ANGLES	± -				
FINISH	± -				

THIS DRAWING IS UNPUBLISHED.

RELEASED FOR PUBLICATION

LOC

DIST

REVISIONS

© COPYRIGHT - By -

ALL RIGHTS RESERVED.

DW

P

LTR

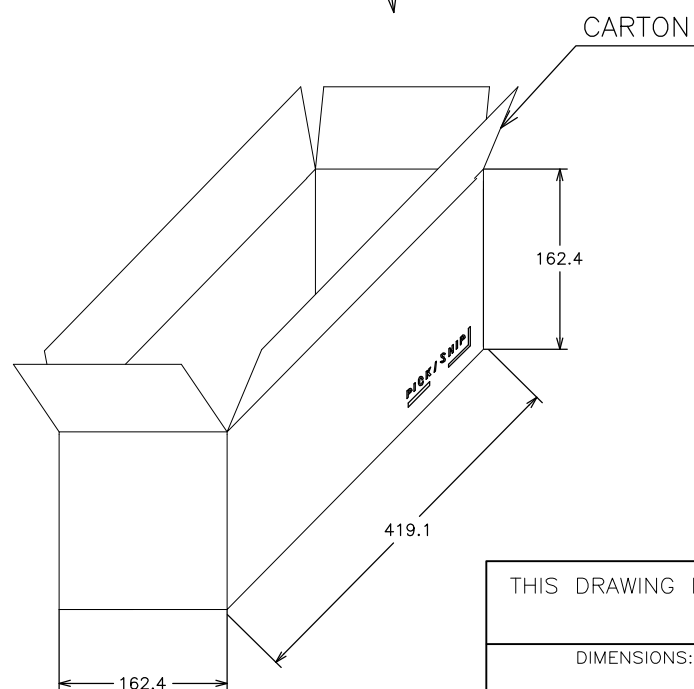
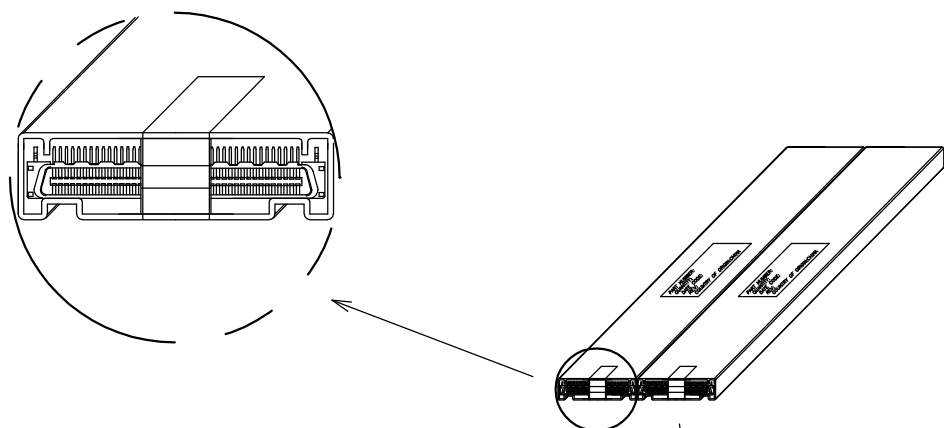
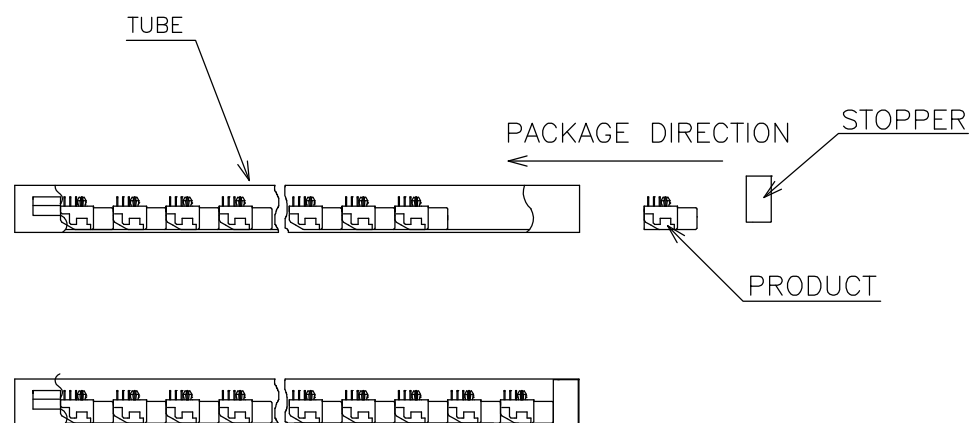
DESCRIPTION

DATE

DWN

APVD

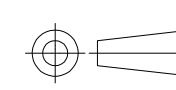
SEE SHEET 1



OBSOLETE							6-1734037-2
	80	21	16	336	2.06	2.91	4-1734037-2
							2-1734037-2
							1734037-2
	100	21	16	336	2.55	3.40	5-1734037-0
							3-1734037-0
						1-1734037-0	
80	21	16	336	2.08	2.93	4-1734037-1	
						2-1734037-1	
						1734037-1	
POS.	Q'TY/TUBE	TUBE/BOX	Q'TY/BOX	N/W (KG)	G/W (KG)		PART NUMBER

THIS DRAWING IS A CONTROLLED DOCUMENT.

DIMENSIONS: mm



TOLERANCES UNLESS OTHERWISE SPECIFIED:

0 PLC	± -
1 PLC	± -
2 PLC	± -
3 PLC	± -
4 PLC	± -
ANGLES	± -
FINISH	

MATERIAL

DWN -
CHK -
APVD -
PRODUCT SPEC -
APPLICATION SPEC -
WEIGHT -



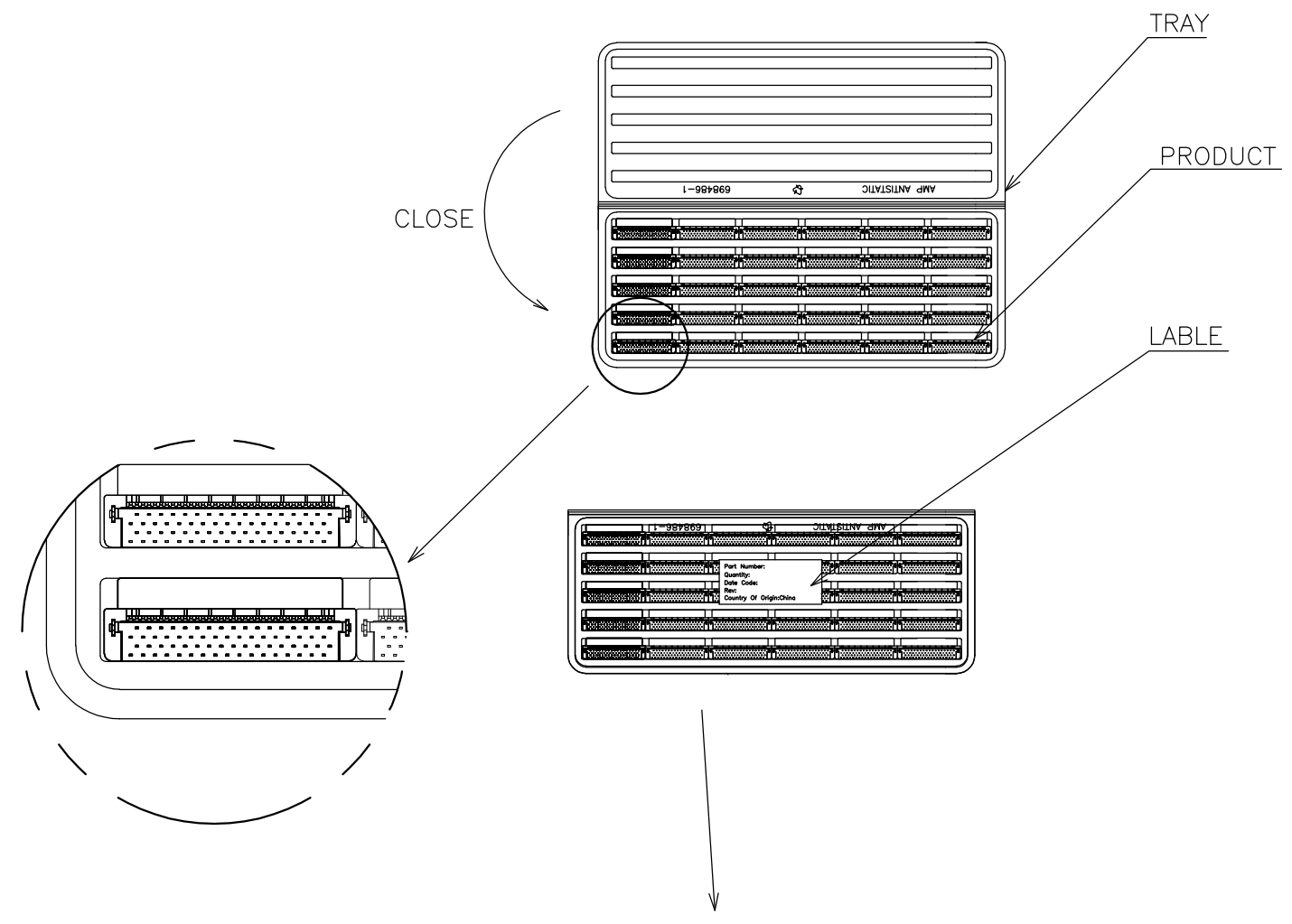
RECEPTACLE ASSEMBLY, R/A, BTB, CHAMP.050, SERIES I

SIZE	CAGE CODE	DRAWING NO	RESTRICTED TO
A3	00779	C-1734037	-

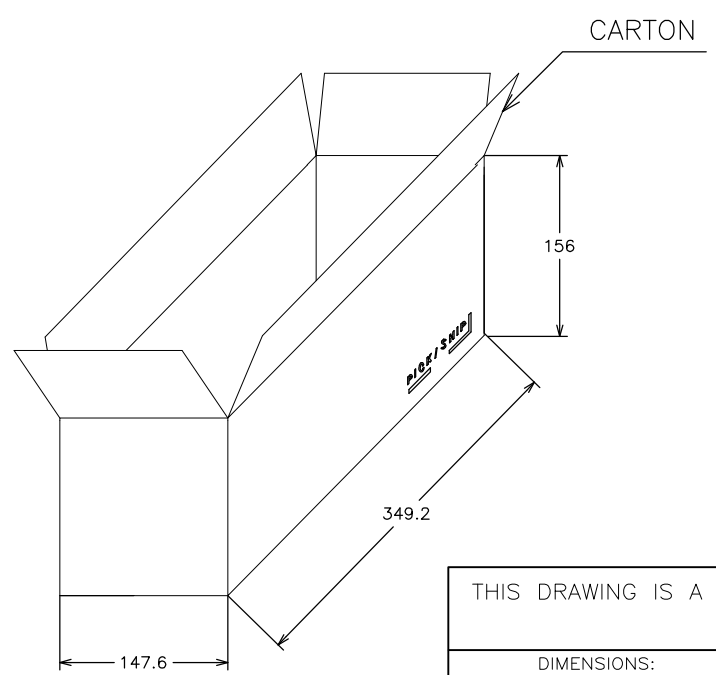
CUSTOMER DRAWING SCALE - SHEET 3 OF 4 REV G1

THIS DRAWING IS UNPUBLISHED. RELEASED FOR PUBLICATION
 © COPYRIGHT - By - ALL RIGHTS RESERVED.

LOC	DIST	REVISIONS				
P	LTR	DESCRIPTION	DATE	DWN	APVD	
DW	/	SEE SHEET 1	-	-	-	



POS.	Q'TY/ TRAY	TRAY/ BOX	Q'TY/ BOX	N/W (KG)	G/W (KG)	PART NUMBER
ⓐ	160	10	100	1.33	2.28	5-1734037-6
						3-1734037-6
						1-1734037-6
	140	15	150	1.67	2.62	5-1734037-4
						3-1734037-4
ⓑ	120	15	150	1.35	2.30	1-1734037-4
						2-1734037-0
						1-1734037-8
						1-1734037-2
	100	20	200	1.43	2.43	5-1734037-1
					3-1734037-1	
					1-1734037-1	
	68	30	300	1.65	2.60	4-1734037-7
						2-1734037-7
						1734037-7
	60	30	300	1.60	2.60	4-1734037-6
						2-1734037-6
						1734037-6
	50	35	350	1.55	2.50	4-1734037-5
						2-1734037-5
						1734037-5
	40	45	450	1.55	2.45	4-1734037-4
						2-1734037-4
						1734037-4



THIS DRAWING IS A CONTROLLED DOCUMENT.

DIMENSIONS: mm	TOLERANCES UNLESS OTHERWISE SPECIFIED: 0 PLC ± - 1 PLC ± - 2 PLC ± - 3 PLC ± - 4 PLC ± - ANGLES ± -	DWN - CHK - APVD - PRODUCT SPEC - APPLICATION SPEC - WEIGHT -	TE Connectivity RECEPTACLE ASSEMBLY, R/A, BTB, CHAMP.050, SERIES I	
MATERIAL	FINISH	SIZE	CAGE CODE	DRAWING NO
		A3	00779	C-1734037
CUSTOMER DRAWING			SCALE	SHEET
			-	4 OF 4
			REV	G1

X-ON Electronics

Largest Supplier of Electrical and Electronic Components

Click to view similar products for [Board to Board & Mezzanine Connectors](#) category:

Click to view products by [TE Connectivity](#) manufacturer:

Other Similar products are found below :

[10135583-642402LF](#) [89885-310LF](#) [589158040000018](#) [6-1393048-0](#) [68683-613](#) [MDF7-12DP-2.54DSA](#) [MDF7-18P-2.54DSA\(01\)](#) [MDF7-20DP-2.54DSA](#) [MDF7-26D-2.54DSA\(55\)](#) [MDF7-3P-2.54DSA\(01\)](#) [MDF7B-20P-2.54DSA\(01\)](#) [MDF7B-3P-2.54DSA\(55\)](#) [MDF7C-18P-2.54DSA\(55\)](#) [MDF7P-5P-2.54DSA\(55\)](#) [75234-0516](#) [FCN-230C068-11](#) [FCN-268F012-G/BD](#) [FCN-268F036-G/BD](#) [FCN-268M012-G/0D](#) [FCN-268M024-G/1D](#) [FCN-360C008-C](#) [FCN-723J004/1](#) [MIS-048-01-F-D-DP-K](#) [832-10-034-10-001000](#) [93696-325LF](#) [11828-1FA](#) [AXK630345P](#) [18097-0013](#) [2007042-2](#) [304400-2](#) [FCN-214Q030-G/0](#) [FCN-215Q040-G/0](#) [FCN-230C068-ESA](#) [FCN-234P048-G/0](#) [FCN-235D050-G/C](#) [FCN-360A3](#) [FCN-360C040-B](#) [210-93-314-41-105000](#) [2-22603-0](#) [379-064-521-202](#) [MDF7-12P-2.54DSA\(01\)](#) [MDF7-16P-2.54DS\(56\)](#) [MDF7-16P-2.54DSA\(55\)](#) [MDF7-40DP-2.54DSA\(55\)](#) [MDF7-8P-2.54DSA\(55\)](#) [AXG720047](#) [5031084030](#) [55323-1519](#) [DF33-2P-3.3DSA\(24\)](#) [DF33-2S-3.3C](#)