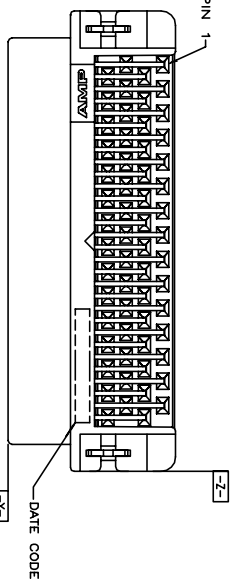
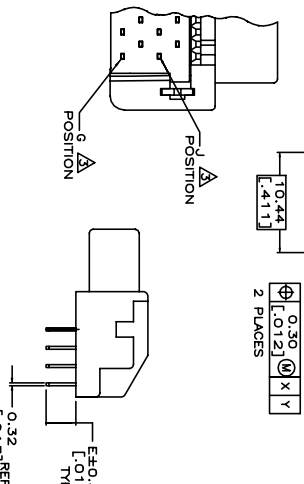
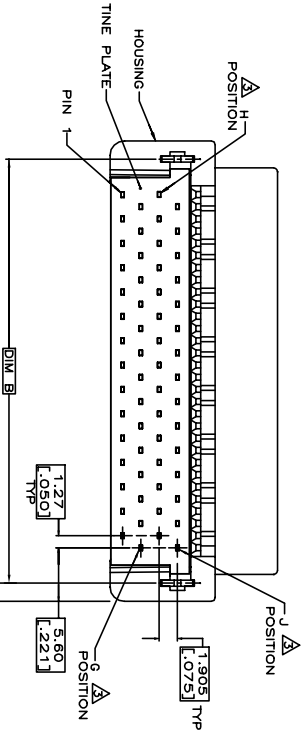
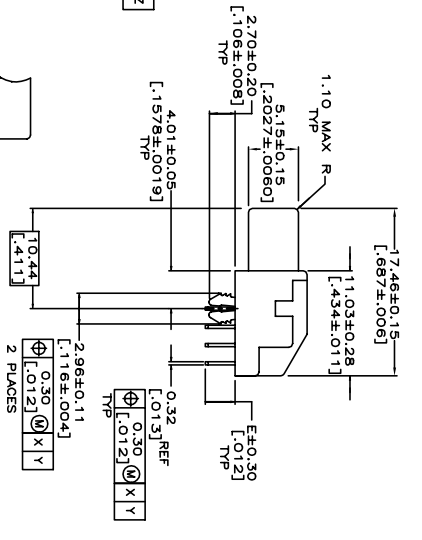
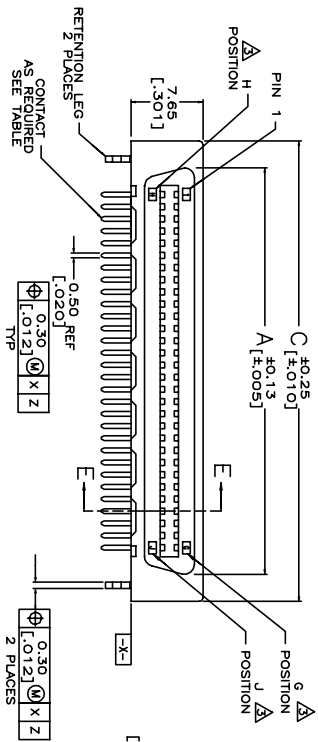
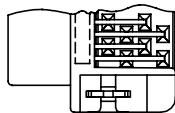


REVISONS

P	LTR	DESCRIPTION	DATE	DMN	APVD
G2		ADDED NEW DASH NO.5-4 PER NEW REQUEST	26APR2021	SH	SZ



FOR 40,60,68,80,100,120,
140,160,180,200 POSITIONS ONLY



- NOTE:
1. MATERIAL:
HOUSING: LIQUID CRYSTAL POLYMER (LCP), UL 94V-0, BLACK COLOR.
CONTACTS: PHOSPHOR BRONZE.
BOARDLOCKS: BRASS.
2. FINISH:
CONTACTS: (SEE TABLE) GOLD PLATED ON CONTACT AREA,
3.81um [150u"] MIN. MATTE-TIN ON SOLDERTAIL, OVER
1.27mm [50m"] MIN. NICKEL UNDERPLATED.
BOARDLOCKS: 3.81um [150u"] MIN. TIN-CU OVER
1.27mm [50m"] MIN. UNDERPLATED.
G, J, AND H INDICATES NUMBER OF POSITION MARKED ON ASSEMBLY.
ALSO SEE TABLE.
CONNECTOR SOLDER TAILS WILL ACCOMMODATE PRINTED CIRCUIT BOARD
THICKNESS OF 0.80 TO 1.60 [0.31 TO 0.63].
BOARDLOCKS NOT PRESENT.
6. WAVE SOLDER CAPABLE TO 265°C PER TEST SPEC.
109-202, CONDITION B.
GOLD FLASH OVER
0.762um [30u"] MIN. PALLADIUM-NICKEL PLATED.
OBsolete

WITHOUT RETENTION LEG

POS.	PART NUMBER	GOLD PLATED	A	B	C	D	E	NOTES
40	1734037-4	Δ	20	40	21	25.83	35.33	31.53
60	1734037-6	Δ	30	60	31	48.03	44.23	42.37
80	1734037-2	Δ	40	80	41	60.73	56.93	55.07
100	1734037-1	Δ	50	100	51	73.43	69.63	67.77
120	1734037-8	Δ	60	120	61	86.13	82.33	80.47
140	1734037-4	Δ	70	140	71	98.83	95.03	93.17
160	1734037-6	Δ	80	160	81	111.53	107.73	105.87
180	1734037-2	Δ	90	180	91	124.23	120.43	118.57
200	1734037-8	Δ	100	200	101	136.93	133.13	131.27
220	1734037-4	Δ	110	220	111	149.63	145.83	143.97
240	1734037-6	Δ	120	240	121	162.33	158.53	156.67
260	1734037-2	Δ	130	260	131	175.03	171.23	169.37
280	1734037-8	Δ	140	280	141	187.73	183.93	182.07
300	1734037-4	Δ	150	300	151	200.43	196.63	194.77
320	1734037-6	Δ	160	320	161	213.13	209.33	207.47
340	1734037-2	Δ	170	340	171	225.83	222.03	220.17
360	1734037-8	Δ	180	360	181	238.53	234.73	232.87
380	1734037-4	Δ	190	380	191	251.23	247.43	245.57
400	1734037-6	Δ	200	400	201	263.93	260.13	258.27
420	1734037-2	Δ	210	420	211	276.63	272.83	270.97
440	1734037-8	Δ	220	440	221	289.33	285.53	283.67
460	1734037-4	Δ	230	460	231	302.03	298.23	296.37
480	1734037-6	Δ	240	480	241	314.73	310.93	309.07
500	1734037-2	Δ	250	500	251	327.43	323.63	321.77
520	1734037-8	Δ	260	520	261	340.13	336.33	334.47
540	1734037-4	Δ	270	540	271	352.83	349.03	347.17
560	1734037-6	Δ	280	560	281	365.53	361.73	359.87
580	1734037-2	Δ	290	580	291	378.23	374.43	372.57
600	1734037-8	Δ	300	600	301	390.93	387.13	385.27
620	1734037-4	Δ	310	620	311	403.63	399.83	397.97
640	1734037-6	Δ	320	640	321	416.33	412.53	410.67
660	1734037-2	Δ	330	660	331	429.03	425.23	423.37
680	1734037-8	Δ	340	680	341	441.73	437.93	436.07
700	1734037-4	Δ	350	700	351	454.43	450.63	448.77
720	1734037-6	Δ	360	720	361	467.13	463.33	461.47
740	1734037-2	Δ	370	740	371	479.83	476.03	474.17
760	1734037-8	Δ	380	760	381	492.53	488.73	486.87
780	1734037-4	Δ	390	780	391	505.23	501.43	499.57
800	1734037-6	Δ	400	800	401	517.93	514.13	512.27
820	1734037-2	Δ	410	820	411	530.63	526.83	524.97
840	1734037-8	Δ	420	840	421	543.33	539.53	537.67
860	1734037-4	Δ	430	860	431	556.03	552.23	550.37
880	1734037-6	Δ	440	880	441	568.73	564.93	563.07
900	1734037-2	Δ	450	900	451	581.43	577.63	575.77
920	1734037-8	Δ	460	920	461	594.13	590.33	588.47
940	1734037-4	Δ	470	940	471	606.83	603.03	601.17
960	1734037-6	Δ	480	960	481	619.53	615.73	613.87
980	1734037-2	Δ	490	980	491	632.23	628.43	626.57
1000	1734037-8	Δ	500	1000	501	644.93	641.13	639.27

THIS DRAWING IS A CONTROLLED DOCUMENT.

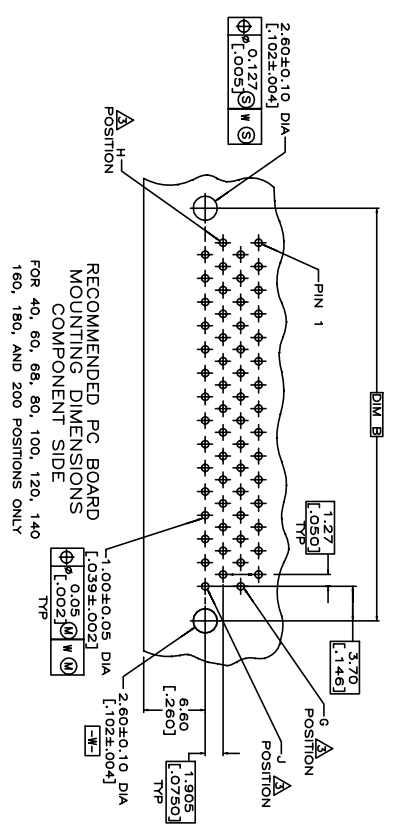
DMN: F. YANG
CHK: S. CHIEN
APVD: W. KODAMA
PRODUCT SPEC: 108-57876
APPLICATION SPEC: [Blank]WEIGHT: [Blank]CUSTOMER DRAWING: A3 00779

RECEPTACLE ASSEMBLY, R/A,
BTB, CHAMP.050, SERIES I

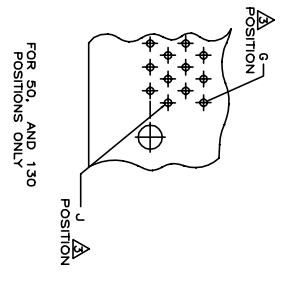
TE Connectivity Ltd.

SCALE: [Blank] SHEET: 1 OF 4 REV: G2

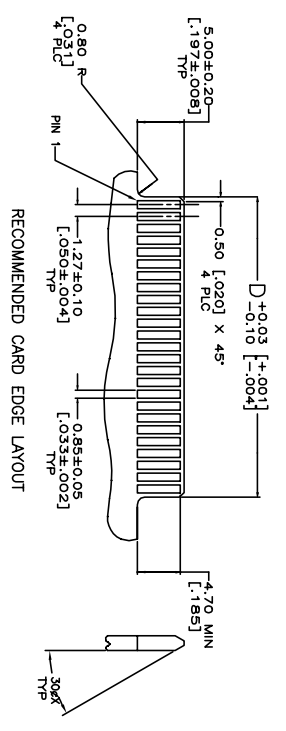
REVISIONS				
P	LTR	DESCRIPTION	DATE	APVD
-	-	SEE SHEET 1	-	-



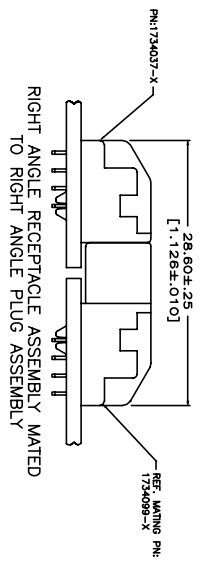
RECOMMENDED PC BOARD MOUNTING DIMENSIONS COMPONENT SIDE FOR 40, 60, 68, 80, 100, 120, 140, 160, 180, AND 200 POSITIONS ONLY



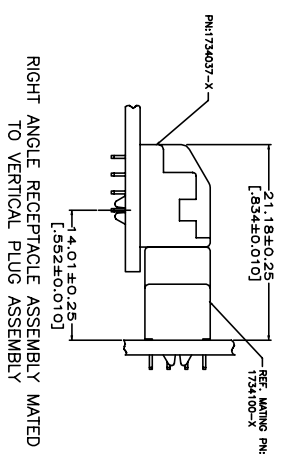
FOR 50, AND 130 POSITIONS ONLY



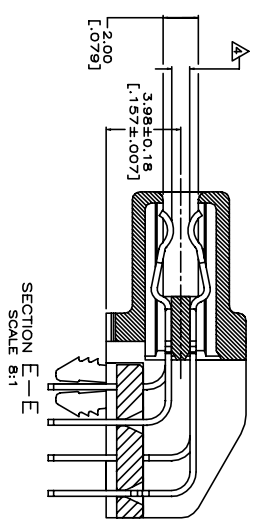
RECOMMENDED CARD EDGE LAYOUT



RIGHT ANGLE RECEPTACLE ASSEMBLY MATED TO RIGHT ANGLE PLUG ASSEMBLY



RIGHT ANGLE RECEPTACLE ASSEMBLY MATED TO VERTICAL PLUG ASSEMBLY



SECTION E-E SCALE 8:1

THIS DRAWING IS A CONTROLLED DOCUMENT.

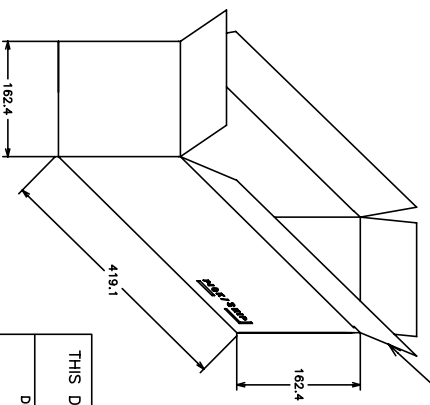
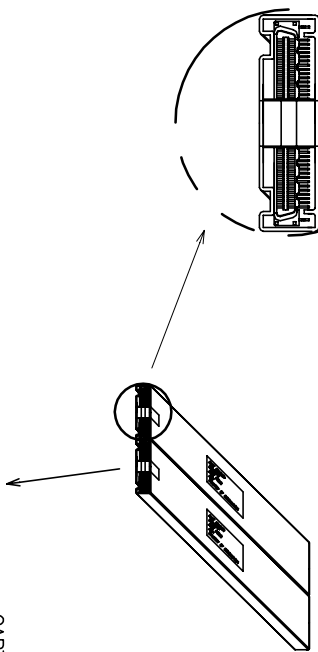
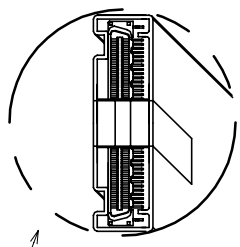
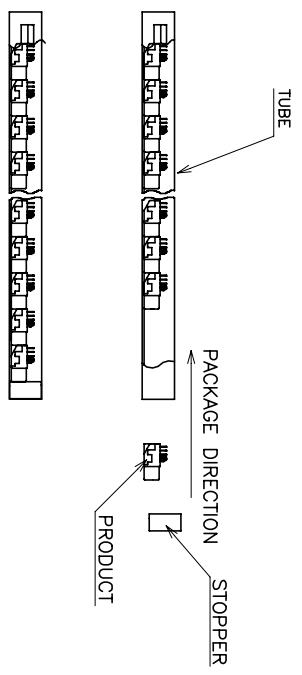
DIMENSIONS:	TOLERANCES UNLESS OTHERWISE SPECIFIED:
mm	
0 P/C	±
1 P/C	±
2 P/C	±
3 P/C	±
4 P/C	±
ANGLES	±
FINISH	±

DMN	-
CHK	-
APVD	-
PRODUCT SPEC	-
APPLICATION SPEC	-
WEIGHT	-

NAME		SIZE	
RECEPTACLE ASSEMBLY, R/A, BTB, CHAMP.050, SERIES I		A3	
CAGE CODE	DRAWING NO	DATE	REV
00779	1734037	-	G2

STE TE Connectivity Ltd.

REVISIONS				
P	LTR	DESCRIPTION	DATE	APVD
-	-	SEE SHEET 1	-	-



POS.	QTY/ TUBE	TUBE/ BOX	QTY/ BOX	N/W (KG)	G/W (KG)	PART NUMBER
						6-1734037-2
						4-1734037-2
						2-1734037-2
						1734037-2
						5-1734037-0
						3-1734037-0
						1-1734037-0
						4-1734037-1
						2-1734037-1
						1734037-1

Ⓢ OBSOLETE

THIS DRAWING IS A CONTROLLED DOCUMENT.

DIMENSIONS: mm

TOLERANCES UNLESS OTHERWISE SPECIFIED:	FINISH
0 P/C	±
1 P/C	±
2 P/C	±
3 P/C	±
4 P/C	±
ANGLES	±

DWG	CHK	APVD	PRODUCT SPEC	APPLICATION SPEC	WEIGHT	CUSTOMER DRAWING
-	-	-	-	-	-	-

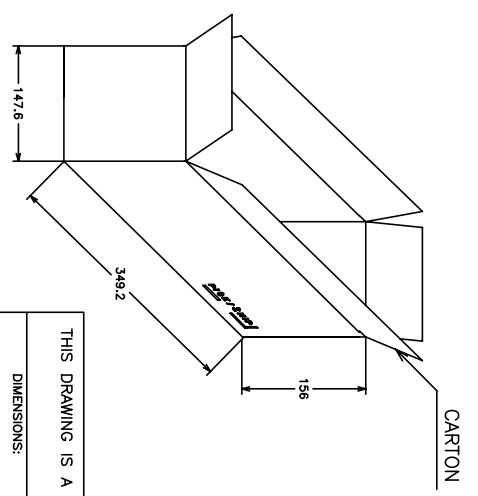
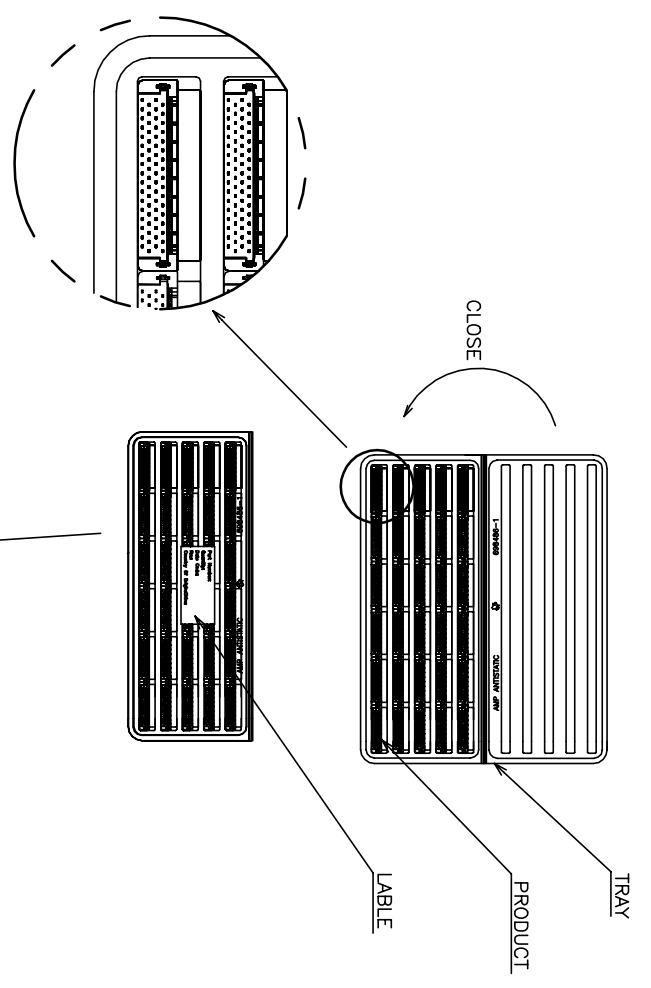
STE TE Connectivity Ltd.

RECEPTACLE ASSEMBLY, R/A,
BTB, CHAMP.050, SERIES I

SIZE: A3
CAGE CODE: 00779
DRAWING NO: 1734037

SCALE: - SHEET: 3 OF 4 REV: G2

REVISIONS					
P	LTR	DESCRIPTION	DATE	DMN	APVD
-	-	SEE SHEET 1	-	-	-



QTY/ TRAY	TRAY/ BOX	QTY/ BOX	N/W (KG)	G/W (KG)	PART NUMBER	
40	45	10	450	1.55	2.45	5-1734037-4
160	10	10	100	1.33	2.28	5-1734037-6
						3-1734037-6
						1-1734037-6
						5-1734037-4
						3-1734037-4
						1-1734037-4
						2-1734037-0
						1-1734037-8
						1-1734037-2
						5-1734037-1
						3-1734037-1
						1-1734037-1
						4-1734037-7
						2-1734037-7
						1734037-7
						4-1734037-6
						2-1734037-6
						1734037-6
						4-1734037-5
						2-1734037-5
						1734037-5
						4-1734037-4
						2-1734037-4
						1734037-4
						4-1734037-3
						2-1734037-3
						1734037-3
						4-1734037-2
						2-1734037-2
						1734037-2
						4-1734037-1
						2-1734037-1
						1734037-1
						4-1734037-0
						2-1734037-0
						1734037-0
						4-1734037-0
						2-1734037-0
						1734037-0

THIS DRAWING IS A CONTROLLED DOCUMENT.

DIMENSIONS:	mm	TOLERANCES UNLESS OTHERWISE SPECIFIED:
0 P/C	±	
1 P/C	±	
2 P/C	±	
3 P/C	±	
4 P/C	±	
ANGLES	±	
FINISH	±	

DMN: _____
 CHK: _____
 APVD: _____
 PRODUCT SPEC: _____
 APPLICATION SPEC: _____
 WEIGHT: _____

STE TE Connectivity Ltd.

RECEPTACLE ASSEMBLY, R/A,
 BTB, CHAMP.050, SERIES I

SIZE: A3
 CAGE CODE: 00779
 DRAWING NO: 1734037

RESTRICTED 70

CUSTOMER DRAWING

SCALE: _____ SHEET: 4 OF 4 REV: G2

X-ON Electronics

Largest Supplier of Electrical and Electronic Components

Click to view similar products for [Board to Board & Mezzanine Connectors](#) category:

Click to view products by [TE Connectivity](#) manufacturer:

Other Similar products are found below :

[589158040000018](#) [MDF7C-18P-2.54DSA\(55\)](#) [FCN-230C068-11](#) [FCN-268F012-G/BD](#) [FCN-268F036-G/BD](#) [FCN-268M012-G/0D](#) [FCN-268M024-G/1D](#) [FCN-723J004/1](#) [MIS-048-01-F-D-DP-K](#) [832-10-034-10-001000](#) [FX4C-80S-1.27DSA](#) [FCN-214Q030-G/0](#) [FCN-234P048-G/0](#) [FCN-235D050-G/C](#) [210-93-314-41-105000](#) [2-22603-0](#) [MDF7-40DP-2.54DSA\(55\)](#) [AXG720047](#) [5031084030](#) [MIT-114-03-F-D-K](#) [55323-1519](#) [DF33-2P-3.3DSA\(24\)](#) [YFT-20-05-H-03-SB-K](#) [503308-3040](#) [026-6203-PDB](#) [027-6203-PDB](#) [069159702701000](#) [10123981-102LF](#) [101A10019X](#) [55650-0588-C](#) [68684-306](#) [75140-7012](#) [589159005003045](#) [194261-1](#) [FCN-268F024-G0D](#) [10124054-515LF](#) [68685-603](#) [8-1616154-3](#) [MIS-019-01-F-D](#) [589159005002045](#) [541371078](#) [IL-WX-10PB-HF-B-E1000E](#) [FCN-268M024-G/3D](#) [20021832-06016C1LF](#) [KX15-20KLDL-E1000E](#) [MDF7-16DP-2.54DSA\(55\)](#) [AXE810124](#) [FCN-214J100-G/0](#) [FCN-230C068-E/S](#) [AXE812124](#)