

4

3

2

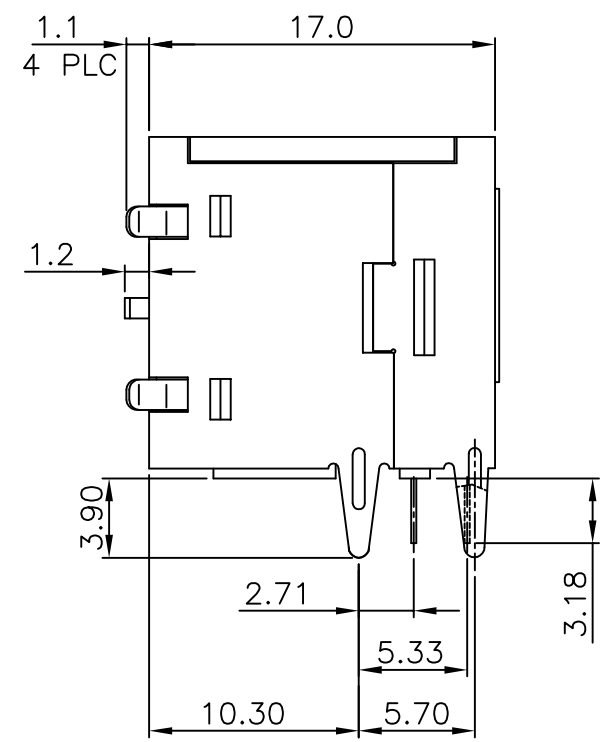
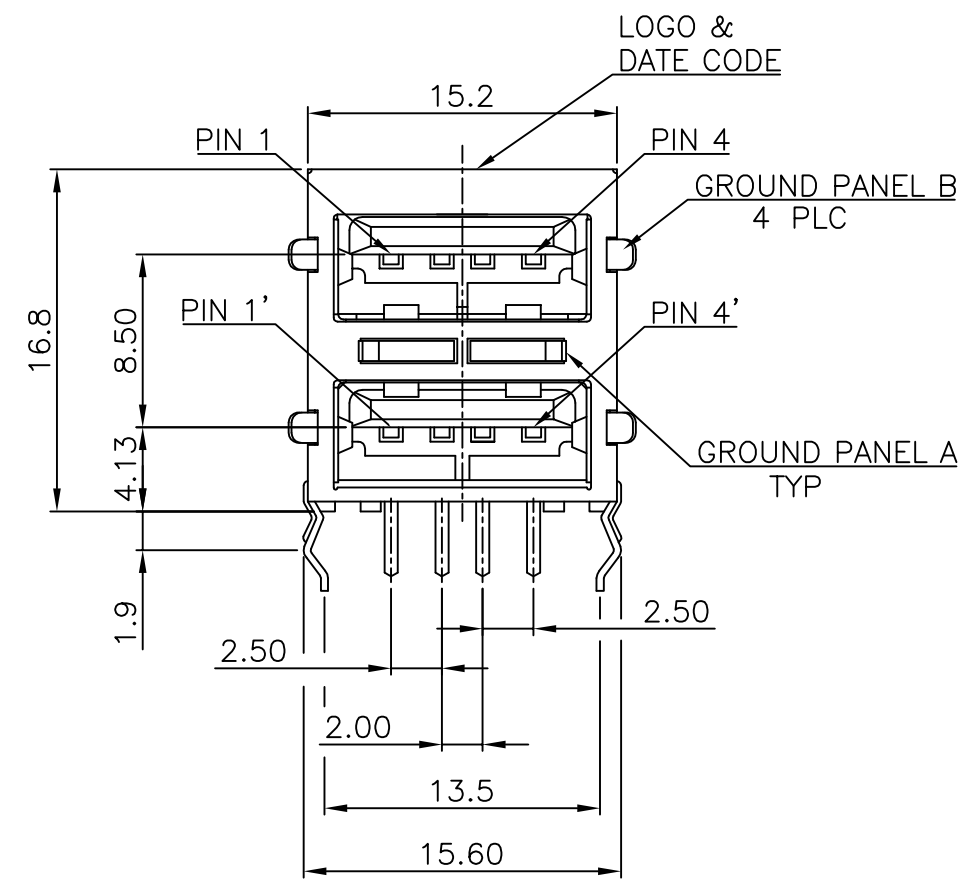
1

THIS DRAWING IS UNPUBLISHED. RELEASED FOR PUBLICATION
 © COPYRIGHT 2011 BY TYCO ELECTRONICS CORPORATION. ALL RIGHTS RESERVED.

LOC	DIST	REVISIONS				
P	LTR	DESCRIPTION	DATE	DWN	APVD	
DW	/	B4	REVISED (ECR-15-013569)	23DEC2015	B.L H.W	

D

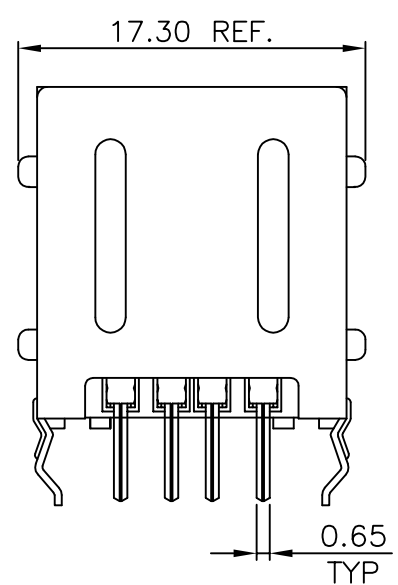
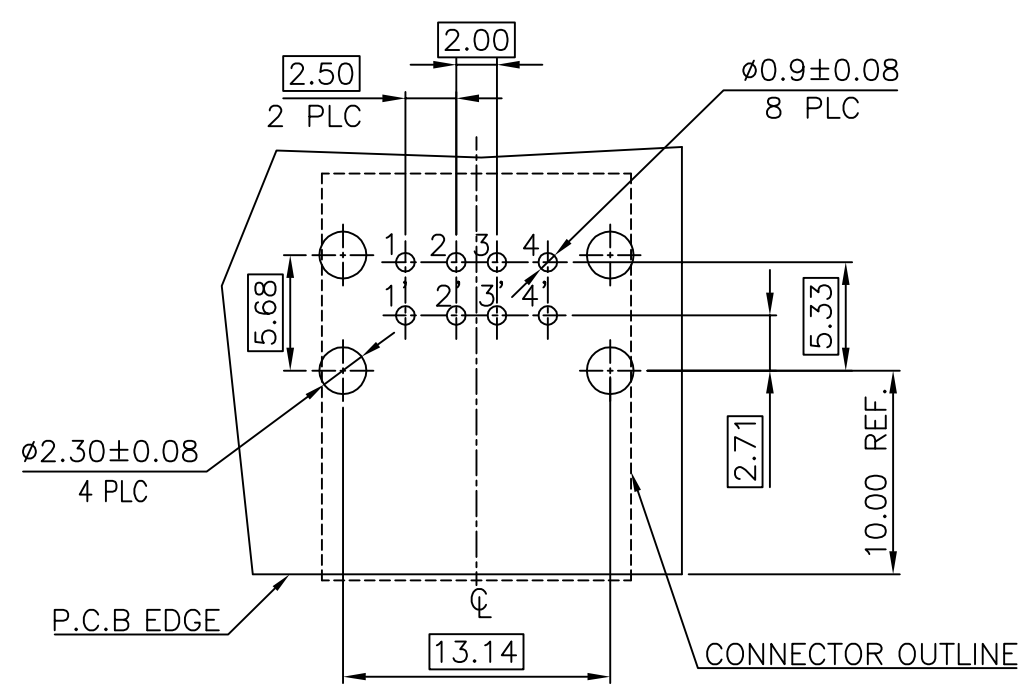
D



NOTES:
 1. MATERIAL:
 HOUSING: THERMOPLASTIC (SEE TABLE), WITH 30% GF, UL 94V-0, BLACK COLOR.
 CONTACT: PHOSPHOR BRONZE, (t=0.25mm).
 SHIELD: COLD ROLL STEEL, (t=0.35mm)
 GROUNDING STRIP: STAINLESS, (t=0.20 & 0.25mm)
 2. FINISH :
 CONTACT: 0.762µm [30µ"] MIN. GOLD PLATING ON CONTACT AREA,
 3.81µm [150µ"] MIN. BRIGHT TIN PLATING ON SOLDER TAILS,
 1.27µm [50µ"] MIN. NICKEL UNDERPLATING OVERALL.
 SHIELD: 3.048µm [120µ"] MIN. NICKEL PLATED OVERALL.
 ⚠ WAVE SOLDER CAPABLE TO 245°C PER TE SPEC109-201, CONDITION A.
 ⚠ REFLOW SOLDER CAPABLE TO 260°C PER TE SPEC 109-201, CONDITION B.

C

C



REAR VIEW

OBSOLETE	⚠ PA9T	W/	W/O	2-1734084-2
OBSOLETE	⚠ PBT	W/	W/O	2-1734084-1
OBSOLETE	⚠ PA9T	W/O	W/	1-1734084-2
OBSOLETE	⚠ PBT	W/O	W/	1-1734084-1
OBSOLETE	⚠ PA9T	W/O	W/O	0-1734084-2
OBSOLETE	⚠ PBT	W/O	W/O	0-1734084-1

B

B

HSG.MATERIAL	GROUND PANEL B	GROUND PANEL A	PART NUMBER
--------------	----------------	----------------	-------------

A

A

RECOMMENDED P.C.B. LAYOUT (THICKNESS=1.6mm)
 (TOP VIEW) (TOLERANCE:±0.05mm)

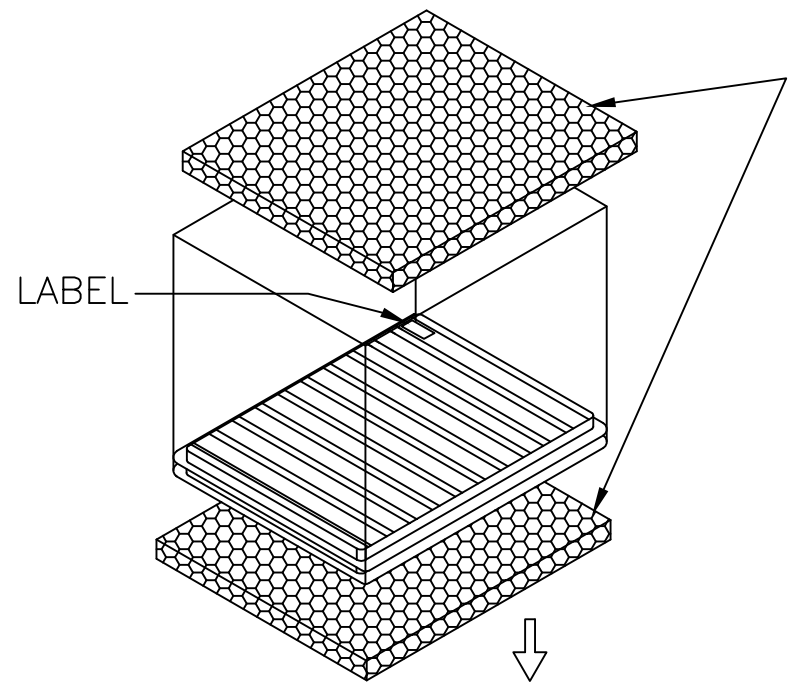
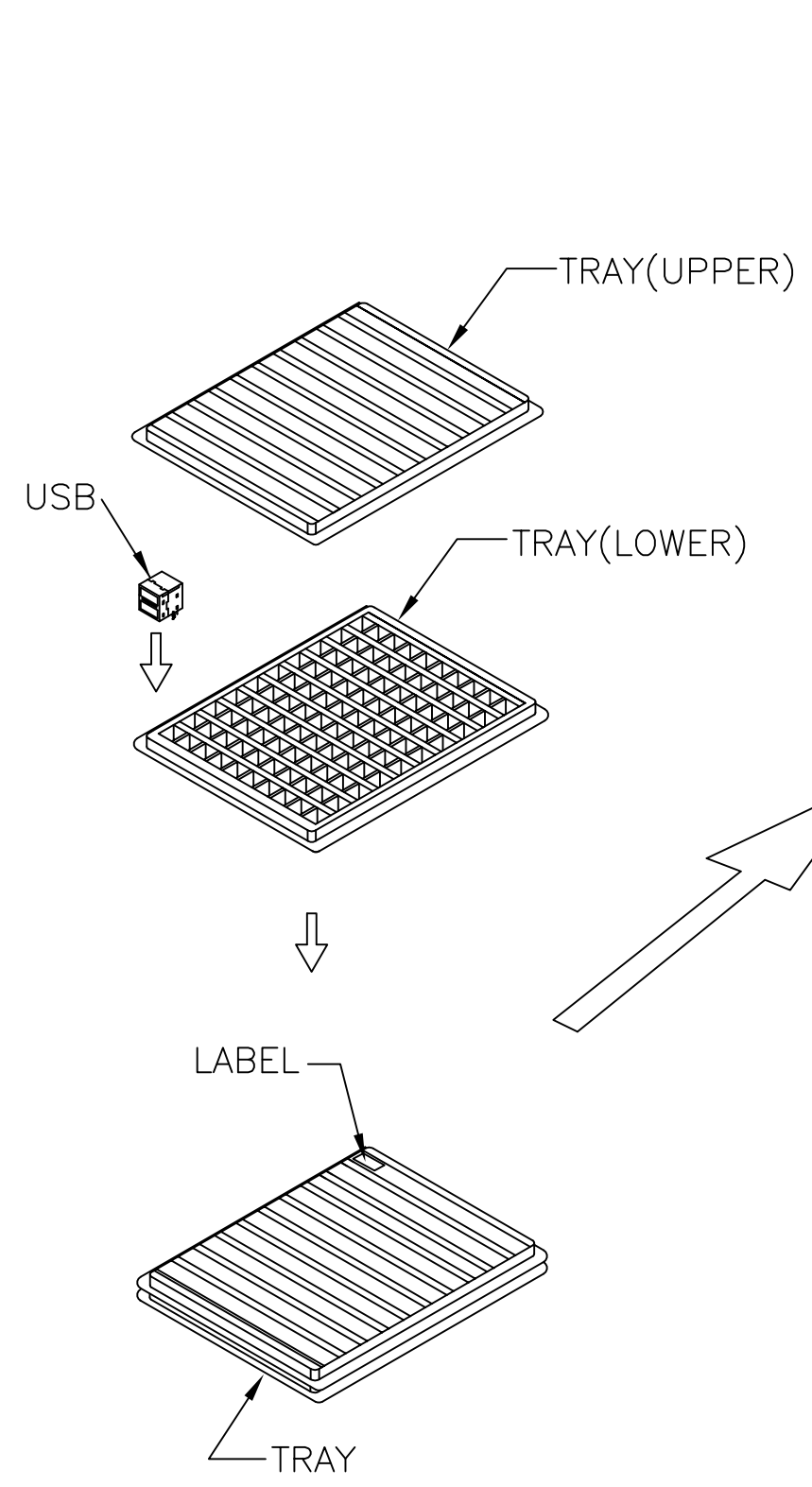
THIS DRAWING IS A CONTROLLED DOCUMENT.		DWN O. HU 07JUL2005	TE Connectivity	
DIMENSIONS: mm		CHK S. JOU 07JUL2005		
TOLERANCES UNLESS OTHERWISE SPECIFIED:		APVD W.J. KE 07JUL2005	NAME	
0 PLC ± - 1 PLC ± 0.35 2 PLC ± 0.25 3 PLC ± 0.15 4 PLC ± - ANGLES ± 3°		PRODUCT SPEC 108-57549	RCPT, STACKED, USB, R/A, A TYPE	
MATERIAL SEE NOTE		FINISH SEE NOTE	APPLICATION SPEC	RESTRICTED TO
		WEIGHT 6.16 GRAMS	SIZE A3	CAGE CODE 00779
		CUSTOMER DRAWING	DRAWING NO C=1734084	REVISION B4
			SCALE -	SHEET 1 of 2

THIS DRAWING IS UNPUBLISHED. RELEASED FOR PUBLICATION
 © COPYRIGHT 2011 BY TYCO ELECTRONICS CORPORATION. ALL RIGHTS RESERVED.

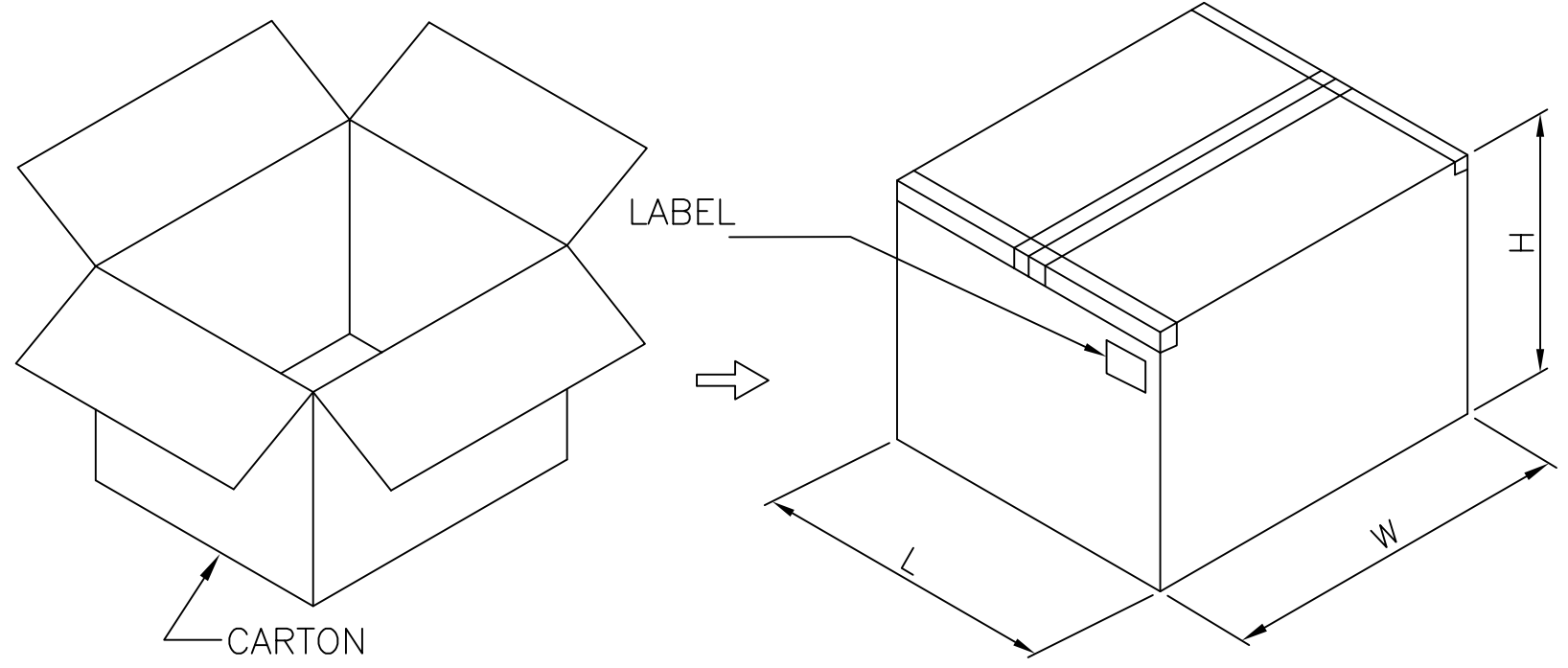
LOC	DIST	REVISIONS				
P	LTR	DESCRIPTION	DATE	DWN	APVD	
		SEE SHEET 1.				

D
C
B
A

D
C
B
A



NOTES:
 1. MATERIAL:
 TRAY: PE.
 POLYLONE: POLYLONE
 SHIPPING CARTON: CORRUGATED FIBER.
 2. DIMENSION :
 TRAY : L=307mm, W=235mm, H=24mm
 SHIPPING CARTON : L=325mm, W=256mm, H=285mm
 POLYLONE : L=305mm, W=236mm, H=11.5mm



7.30 Kg	6.16 Kg	100	10	1000
GROSS WEIGHT	NET WEIGHT	PCS/TRAY	TRAY/CARTON	QUANTITY

THIS DRAWING IS A CONTROLLED DOCUMENT.		DWN		TE Connectivity	
DIMENSIONS: mm		CHK			
TOLERANCES UNLESS OTHERWISE SPECIFIED:		APVD		NAME	
0 PLC ± -		PRODUCT SPEC		RCPT, STACKED, USB, R/A, A TYPE	
1 PLC ± -		APPLICATION SPEC		SIZE	
2 PLC ± -		WEIGHT		CAGE CODE	
3 PLC ± -		CUSTOMER DRAWING		DRAWING NO	
4 PLC ± -		SCALE		RESTRICTED TO	
ANGLES ± -		SHEET		REV	
MATERIAL		FINISH		A3 00779 C=1734084	
		2 of 2		B4	

X-ON Electronics

Largest Supplier of Electrical and Electronic Components

Click to view similar products for [USB Connectors](#) category:

Click to view products by [TE Connectivity](#) manufacturer:

Other Similar products are found below :

[10033527-N3112MLF](#) [17-210561](#) [GMCB05B11124H1EU](#) [17-200931](#) [65-647-8-BK-BU](#) [690-010-295-484](#) [73725-1191BLF](#) [950](#) [E8144-B01021-L](#) [A-USB A-LP-SMT-C](#) [A-USB B-TOP-C](#) [MUSBA511N5](#) [MUSBB15131](#) [MUSBC111M5](#) [MUSBD11135](#) [217450-1](#) [CA 6 W LD](#)
[896-30-004-00-000000](#) [KUSBVX-BS1N-W30](#) [KUSBX-AP-KIT-SCBLK](#) [KUSBX-AS2N-W](#) [KUSBX-SMT2AP1S-W](#) [KUSBX-SMTAS1NBTR](#) [KUSBX-SMTBS1NBTR](#) [30-498-6](#) [SK-60A-2](#) [17-200261](#) [17-210051](#) [1734082-1](#) [FK-37-32SL](#) [30-1574](#) [30-470](#) [30-489](#) [30-541](#) [30-572-3](#) [30-9503](#) [M9177/2-1](#) [MAB 5 S](#) [MIKROE-1451](#) [33UBBR-04SW11R](#) [USBFTV2PEM2G](#) [USBFTVC6ZN](#) [USBFTVSCCG](#)
[KUSBX-AS2N-W30](#) [KUSBX-SLAS1N-W](#) [KUSBX-SLAS1N-W30](#) [1-1734084-2](#) [E8110-001-01](#) [MUSBC11135](#) [NK-27-32SL](#)