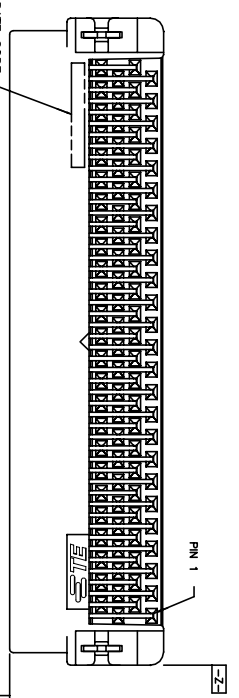


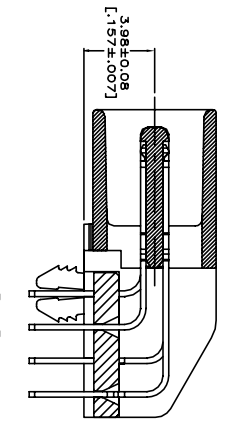
P	LTR	DESCRIPTION	DATE	DMN	APVD
H1		ADDED NEW DASH 5-4 PER NEW REQUEST	26APR2021	SH	SZ

REVISIONS

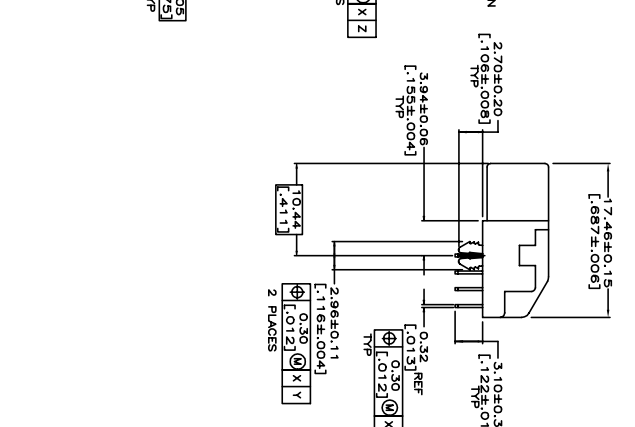
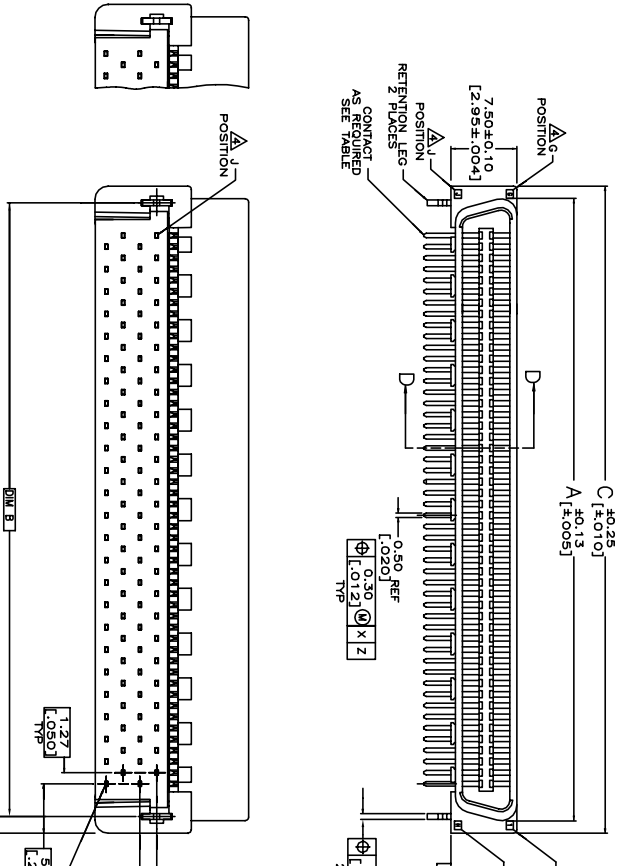


FOR 50 AND 130 POSITIONS ONLY

FOR 40, 60, 68, 80, 100, 120, 140, 160, 180 AND 200 POSITIONS ONLY



SECTION D-D
SCALE 8:1

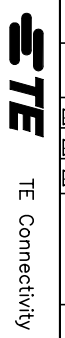


POS.	PART NUMBER	FINISH	PLATING	SIZE	WEIGHT	APPROX. WEIGHT	DATE	DMN	APVD
40	5-1734099-4	△	△	20 40 21	35.33	31.53			
140	5-1734099-4	△	△	70-140-71	98.83	95.03			
120	5-1734099-2	△	△	20 120 61	86.13	82.33			
100	5-1734099-0	△	△	50 100 51	73.43	69.63			
80	4-1734099-8	△	△	40 80 41	60.73	56.93			
68	4-1734099-7	△	△	34 68 35	53.11	49.31			
60	4-1734099-6	△	△	30 60 31	48.03	44.23			
50	4-1734099-5	△	△	25 50 26	41.68	37.88			
40	4-1734099-4	△	△	20 40 21	35.33	31.53			

- NOTE:
1. MATERIAL: LCP, UL 94V-0, BLACK COLOR.
2. CONTACTS: BRASS.
3. BOARDLOOKS: BRASS.
4. FINISH: (SEE TABLE) GOLD PLATED ON CONTACT AREA, MATEL-TIN ON SOLDERABLE, OVER GOLD FLASH OVER.
5. G, J, H, INDICATE NUMBER OF POSITION MARKED ON ASSEMBLY.
6. GOLD FLASH OVER 0.762µm [30µ.] MIN. PALLADIUM-NICKEL PLATED.7. BOARDLOOKS: 3.81µm [150µ.] MIN. MATEL-TIN ON SOLDERABLE, OVER GOLD FLASH OVER.
8. BOARDLOOKS: 1.27µm [50µ.] MIN. NICKEL UNDERPLATED.
9. BOARDLOOKS: 1.27µm [50µ.] MIN. TIN-CU OVER.
10. WAVE SOLDER CAPABLE TO 265°C PER TEST SPEC.
11. 109-202, CONDITION B.12. ALSO SEE TABLE.13. GOLD FLASH OVER 0.762µm [30µ.] MIN. PALLADIUM-NICKEL PLATED.14. DATE CODE

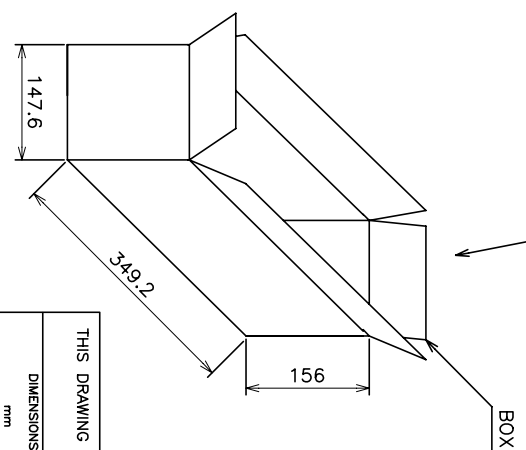
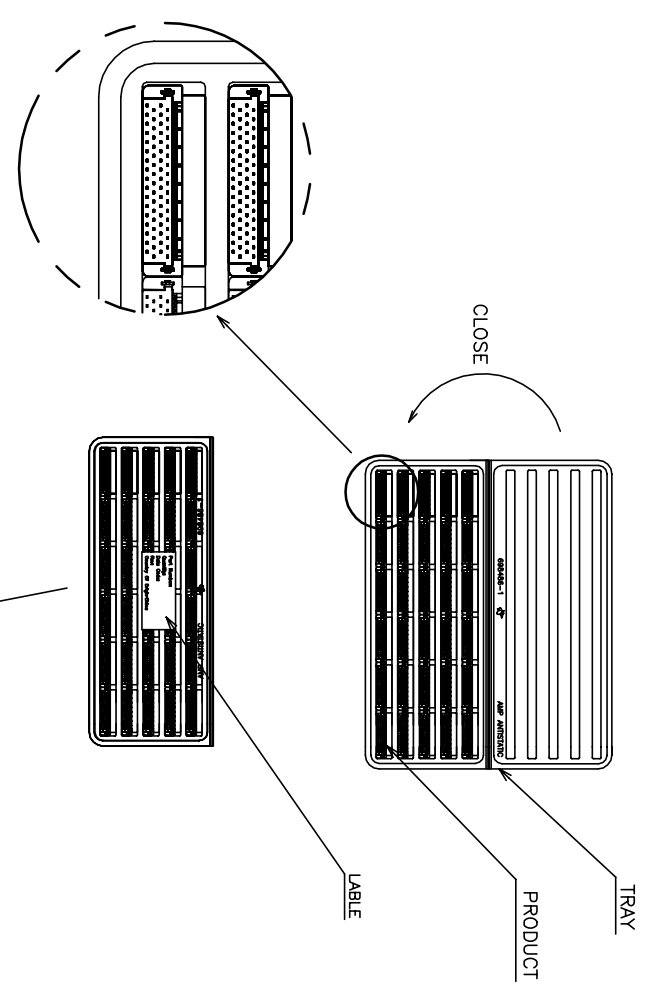
THIS DRAWING IS A CONTROLLED DOCUMENT.

DMN	31MAR2009	F. YANG
CHK	31MAR2009	S. CHIEN
APVD	31MAR2009	W. KODAMA
PRODUCT SPEC	108-57876	
APPLICATION SPEC		
WEIGHT	0	
SIZE	A3	
QAGE CODE	00779	
DRAWING NO	1734099	
SCALE		
SHEET	1	OF 5
REV		H1



PLUG ASSEMBLY, R/A,
BTB, CHAMP .050, SERIES I

REVISIONS					
P	LTR	DESCRIPTION	DATE	DMN	APVD
-	-	SEE SHEET 1	-	-	-



POS.	QTY/ TRAY	TRAY/ BOX	QTY/ BOX	N/W (KG)	G/W (KG)	PART NUMBER
40	45	10	450	1.71	2.66	5-1734099-4
50	35	10	350	1.58	2.56	4-1734099-5
60	30	10	300	1.53	2.48	2-1734099-6
68	30	10	300	1.69	2.64	4-1734099-7
120	15	10	150	1.20	2.15	3-1734099-2
140	15	10	150	1.59	2.46	3-1734099-4
160	10	10	100	1.18	2.13	3-1734099-6
200	10	10	100	1.40	2.35	3-1734099-8
PET PACKAGE						
40	45	10	450	1.71	2.66	5-1734099-4
OBSOLETE						
200	10	10	100	1.40	2.35	3-1734099-8
OBSOLETE						
140	15	10	150	1.59	2.46	3-1734099-4
OBSOLETE						
140	15	10	150	1.59	2.46	1-1734099-4
OBSOLETE						
140	15	10	150	1.59	2.46	5-1734099-2
OBSOLETE						
140	15	10	150	1.59	2.46	3-1734099-2
OBSOLETE						
140	15	10	150	1.59	2.46	1-1734099-2
OBSOLETE						
140	15	10	150	1.59	2.46	4-1734099-7
OBSOLETE						
140	15	10	150	1.59	2.46	4-1734099-7
OBSOLETE						
140	15	10	150	1.59	2.46	2-1734099-7
OBSOLETE						
140	15	10	150	1.59	2.46	1734099-7
OBSOLETE						
140	15	10	150	1.59	2.46	4-1734099-6
OBSOLETE						
140	15	10	150	1.59	2.46	2-1734099-6
OBSOLETE						
140	15	10	150	1.59	2.46	1734099-6
OBSOLETE						
140	15	10	150	1.59	2.46	4-1734099-5
OBSOLETE						
140	15	10	150	1.59	2.46	2-1734099-5
OBSOLETE						
140	15	10	150	1.59	2.46	1734099-5
OBSOLETE						
140	15	10	150	1.59	2.46	4-1734099-4
OBSOLETE						
140	15	10	150	1.59	2.46	2-1734099-4
OBSOLETE						
140	15	10	150	1.59	2.46	1734099-4

THIS DRAWING IS A CONTROLLED DOCUMENT.

STE TE Connectivity

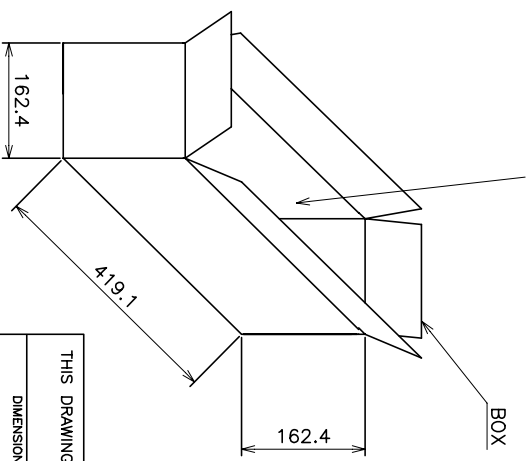
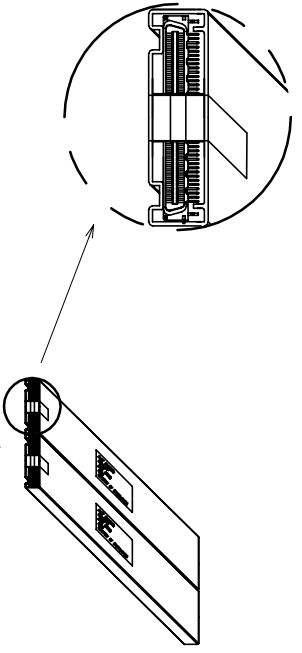
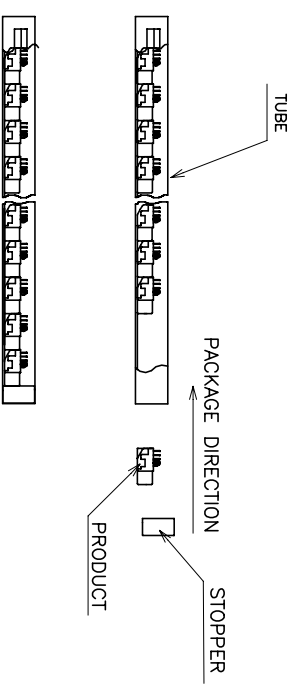
PLUG ASSEMBLY, R/A,
BTB, CHAMP .050, SERIES I

DMN	CHK	APVD	PRODUCT SPEC	APPLICATION SPEC.	WEIGHT	CUSTOMER DRAWING
-	-	-	-	-	-	-

NAME	SIZE	QAGE CODE	DRAWING NO.	RESTRICTED TO
A3	00779	1734099		

SCALE: 5 OF 5 SHEET 5 REV H1

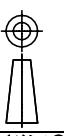
REVISIONS					
P	LTR	DESCRIPTION	DATE	DMN	APVD
-	-	SEE SHEET 1	-	-	-



POS.	QTY/ TUBE	TUBE/ BOX	QTY/ BOX	N/W (KG)	G/W (KG)	PART NUMBER
100	21	16	336	2.60	3.44	5-1734099-0 3-1734099-0 1-1734099-0
80	21	16	336	2.15	3.00	4-1734099-8 2-1734099-8 1734099-8

THIS DRAWING IS A CONTROLLED DOCUMENT.

DIMENSIONS:	TOLERANCES UNLESS OTHERWISE SPECIFIED:
mm	
0 P/C	±
1 P/C	±
2 P/C	±
3 P/C	±
4 P/C	±
ANGLES	±
FINISH	



DMN	CHK	APVD	PRODUCT SPEC	APPLICATION SPEC	WEIGHT
-	-	-	-	-	-

STE TE Connectivity

PLUG ASSEMBLY, R/A,
BTB, CHAMP .050, SERIES I

NAME: _____
 SIZE: A3
 CAGE CODE: 00779
 DRAWING NO: 1734099
 RESTRICTED FOR: _____

CUSTOMER DRAWING

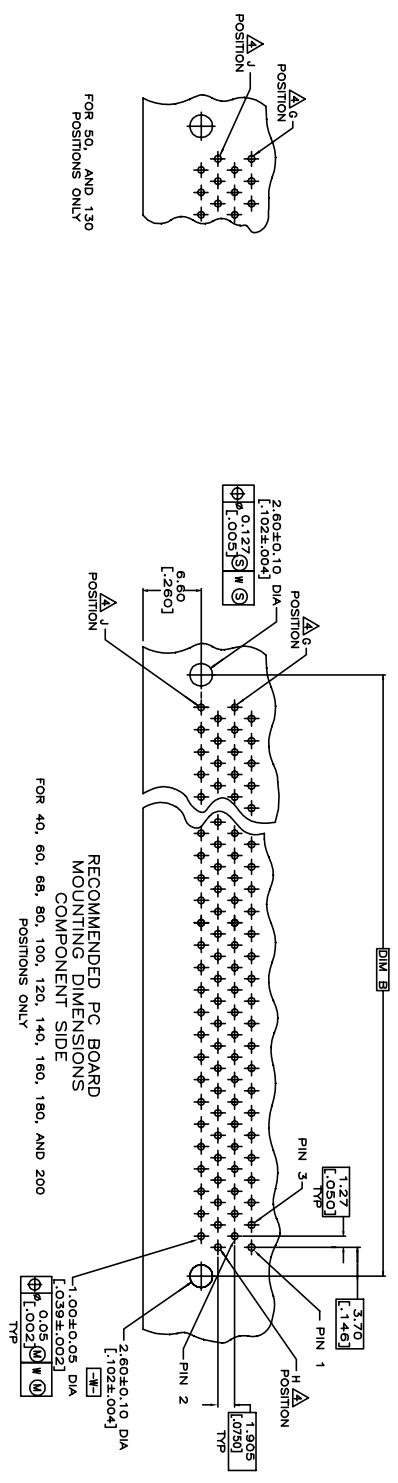
SCALE: _____ SHEET: 4 OF 5 REV: H1

THIS DRAWING IS UNPUBLISHED.
 COPYRIGHT - By - ALL RIGHTS RESERVED.

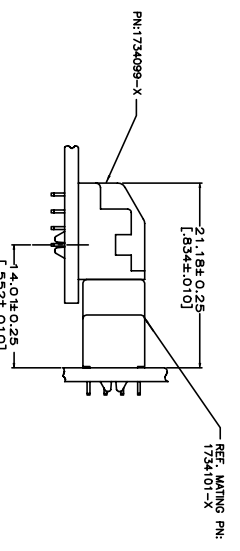
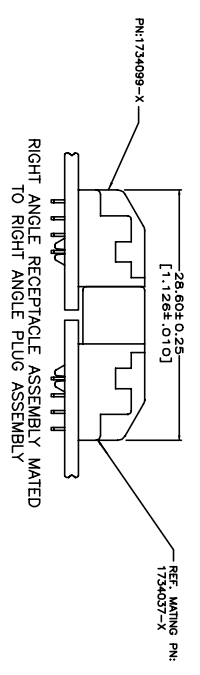
RELEASED FOR PUBLICATION
 ALL RIGHTS RESERVED.

REVISIONS

P	LTR	DESCRIPTION	DATE	DMN	APVD
-	-	SEE SHEET 1	-	-	-



RECOMMENDED PC BOARD
 MOUNTING DIMENSIONS
 COMPONENT SIDE
 FOR 40, 60, 68, 80, 100, 140, 160, 180, AND 200
 POSITIONS ONLY



RIGHT ANGLE RECEPTACLE ASSEMBLY MATED
 TO VERTICAL PLUG ASSEMBLY

THIS DRAWING IS A CONTROLLED DOCUMENT.

DIMENSIONS:	TOLERANCES UNLESS OTHERWISE SPECIFIED:
mm	
0 P/C	±
1 P/C	±
2 P/C	±
3 P/C	±
4 P/C	±
ANGLES	±

DWG	CHK	APVD	NAME
-	-	-	-

MATERIAL	FINISH	WEIGHT	CUSTOMER DRAWING
-	-	-	-

STE TE Connectivity

PLUG ASSEMBLY, R/A,
 BTB, CHAMP .050, SERIES I

SIZE	CAGE CODE	DRAWING NO	RESTRICTED TO
A3	00779	1734099	-

SCALE	SHEET	REV
-	3 of 5	H1

X-ON Electronics

Largest Supplier of Electrical and Electronic Components

Click to view similar products for [Board to Board & Mezzanine Connectors](#) category:

Click to view products by [TE Connectivity](#) manufacturer:

Other Similar products are found below :

[589158040000018](#) [MDF7C-18P-2.54DSA\(55\)](#) [FCN-230C068-11](#) [FCN-268F012-G/BD](#) [FCN-268F036-G/BD](#) [FCN-268M012-G/0D](#) [FCN-268M024-G/1D](#) [FCN-723J004/1](#) [MIS-048-01-F-D-DP-K](#) [832-10-034-10-001000](#) [FX4C-80S-1.27DSA](#) [FCN-214Q030-G/0](#) [FCN-234P048-G/0](#) [FCN-235D050-G/C](#) [210-93-314-41-105000](#) [2-22603-0](#) [MDF7-40DP-2.54DSA\(55\)](#) [AXG720047](#) [5031084030](#) [MIT-114-03-F-D-K](#) [55323-1519](#) [DF33-2P-3.3DSA\(24\)](#) [YFT-20-05-H-03-SB-K](#) [503308-3040](#) [026-6203-PDB](#) [027-6203-PDB](#) [069159702701000](#) [10123981-102LF](#) [101A10019X](#) [55650-0588-C](#) [68684-306](#) [75140-7012](#) [589159005003045](#) [194261-1](#) [FCN-268F024-G0D](#) [10124054-515LF](#) [68685-603](#) [8-1616154-3](#) [MIS-019-01-F-D](#) [589159005002045](#) [541371078](#) [IL-WX-10PB-HF-B-E1000E](#) [FCN-268M024-G/3D](#) [20021832-06016C1LF](#) [KX15-20KLDL-E1000E](#) [MDF7-16DP-2.54DSA\(55\)](#) [AXE810124](#) [FCN-214J100-G/0](#) [FCN-230C068-E/S](#) [AXE812124](#)