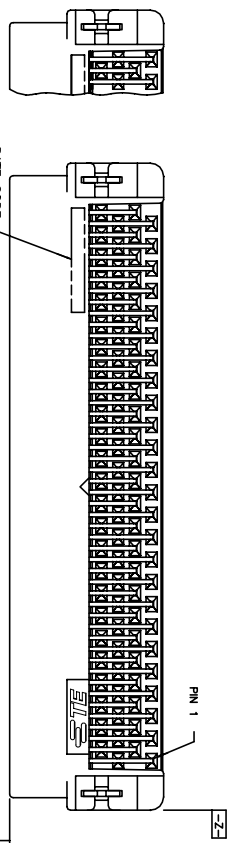
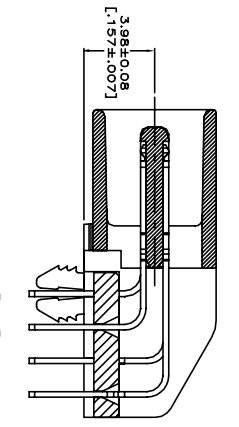


| P | LTR | DESCRIPTION | DATE | DMN | APVD |
|----|-----|------------------------------------|-----------|-----|------|
| H1 | | ADDED NEW DASH 5-4 PER NEW REQUEST | 26APR2021 | SH | SZ |

REVISIONS

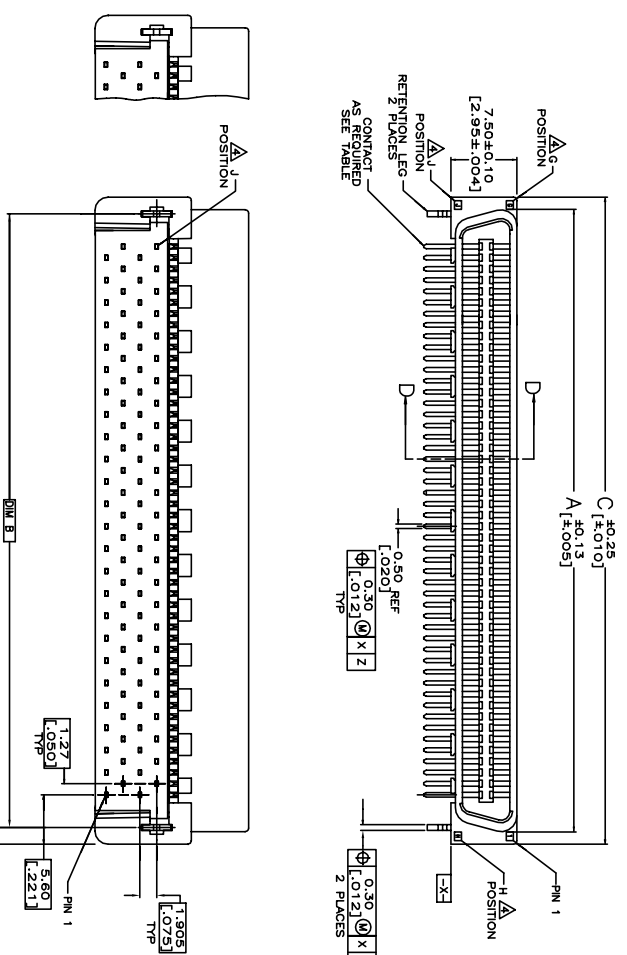


FOR 50 AND 130 POSITIONS ONLY



FOR 40, 60, 68, 80, 100, 120, 140, 160, 180 AND 200 POSITIONS ONLY

SECTION D-D
SCALE 8:1



NOTE:
1. MATERIAL: HOUSING: LCP, UL 94V-0, BLACK COLOR.
CONTACTS: BRASS.
BOARDLOOKS: BRASS.

FINISH: (SEE TABLE) GOLD PLATED ON CONTACT AREA, MATEL-TIN ON SOLDERPLAT, OVER BOARDLOOKS: 3.81µm [150µ] MIN. UNDERPLATED, 1.27µm [50µ] MIN. NICKEL UNDERPLATED.

3. WAVE SOLDER CAPABLE TO 265°C PER TEST SPEC.
109-202, CONDITION B.
G, U, H, INDICATE NUMBER OF POSITION MARKED ON ASSEMBLY.

ALSO SEE TABLE
GOLD FLASH OVER
0.762µm [30µ] MIN. PALLADIUM-NICKEL PLATED.

| SIZE | QAGE CODE | DRAWING NO | RESTRICTED |
|------|-----------|------------|------------|
| A3 | 00779 | 1734099 | NO |

| SIZE | QAGE CODE | DRAWING NO | RESTRICTED |
|------|-----------|------------|------------|
| A3 | 00779 | 1734099 | NO |

| SIZE | QAGE CODE | DRAWING NO | RESTRICTED |
|------|-----------|------------|------------|
| A3 | 00779 | 1734099 | NO |

| SIZE | QAGE CODE | DRAWING NO | RESTRICTED |
|------|-----------|------------|------------|
| A3 | 00779 | 1734099 | NO |

| SIZE | QAGE CODE | DRAWING NO | RESTRICTED |
|------|-----------|------------|------------|
| A3 | 00779 | 1734099 | NO |

| SIZE | QAGE CODE | DRAWING NO | RESTRICTED |
|------|-----------|------------|------------|
| A3 | 00779 | 1734099 | NO |

| SIZE | QAGE CODE | DRAWING NO | RESTRICTED |
|------|-----------|------------|------------|
| A3 | 00779 | 1734099 | NO |

| SIZE | QAGE CODE | DRAWING NO | RESTRICTED |
|------|-----------|------------|------------|
| A3 | 00779 | 1734099 | NO |

| SIZE | QAGE CODE | DRAWING NO | RESTRICTED |
|------|-----------|------------|------------|
| A3 | 00779 | 1734099 | NO |

| SIZE | QAGE CODE | DRAWING NO | RESTRICTED |
|------|-----------|------------|------------|
| A3 | 00779 | 1734099 | NO |

| SIZE | QAGE CODE | DRAWING NO | RESTRICTED |
|------|-----------|------------|------------|
| A3 | 00779 | 1734099 | NO |

| SIZE | QAGE CODE | DRAWING NO | RESTRICTED |
|------|-----------|------------|------------|
| A3 | 00779 | 1734099 | NO |

| SIZE | QAGE CODE | DRAWING NO | RESTRICTED |
|------|-----------|------------|------------|
| A3 | 00779 | 1734099 | NO |

| SIZE | QAGE CODE | DRAWING NO | RESTRICTED |
|------|-----------|------------|------------|
| A3 | 00779 | 1734099 | NO |

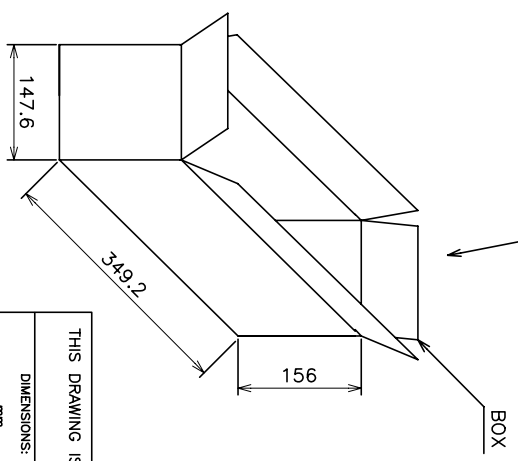
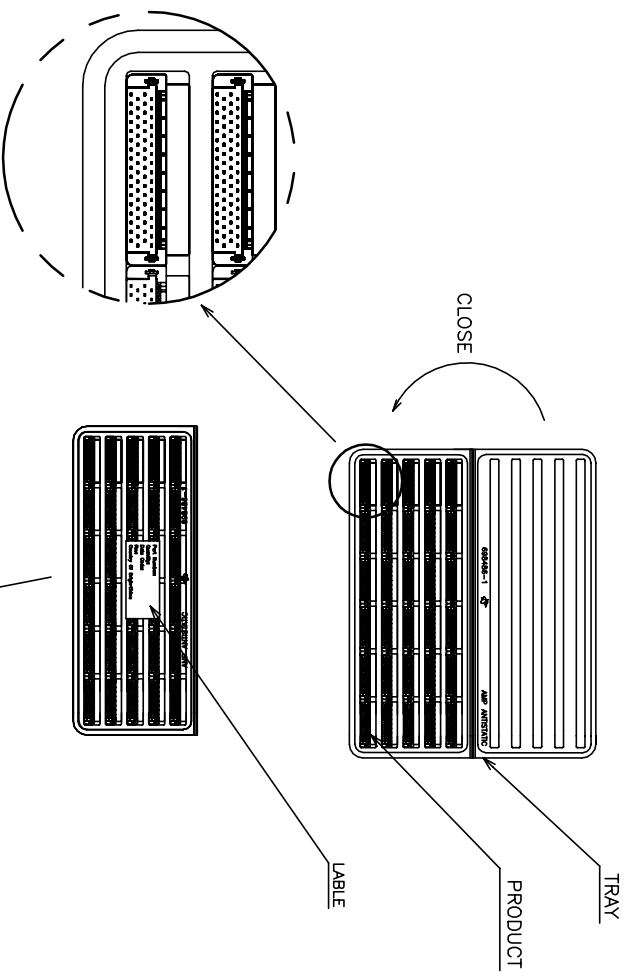
| SIZE | QAGE CODE | DRAWING NO | RESTRICTED |
|------|-----------|------------|------------|
| A3 | 00779 | 1734099 | NO |

| SIZE | QAGE CODE | DRAWING NO | RESTRICTED |
|------|-----------|------------|------------|
| A3 | 00779 | 1734099 | NO |

| SIZE | QAGE CODE | DRAWING NO | RESTRICTED |
|------|-----------|------------|------------|
| A3 | 00779 | 1734099 | NO |

| SIZE | QAGE CODE | DRAWING NO | RESTRICTED |
|------|-----------|------------|------------|
| A3 | 00779 | 1734099 | NO |

| REVISIONS | | | | | |
|-----------|-----|-------------|------|-----|------|
| P | LTR | DESCRIPTION | DATE | DMN | APVD |
| - | - | SEE SHEET 1 | - | - | - |



| POS. | QTY/ TRAY | TRAY/ BOX | QTY/ BOX | N/W (KG) | G/W (KG) | PART NUMBER |
|------|--------------|--------------|-------------|-------------|-------------|-------------|
| 40 | 45 | 10 | 450 | 1.71 | 2.66 | 5-1734099-4 |
| | | | | | | 6-1734099-8 |
| | | | | | | 3-1734099-8 |
| | | | | | | 1-1734099-8 |
| 160 | 10 | 10 | 100 | 1.18 | 2.13 | 5-1734099-6 |
| | | | | | | 3-1734099-6 |
| | | | | | | 1-1734099-6 |
| 120 | 15 | 10 | 150 | 1.20 | 2.15 | 5-1734099-2 |
| | | | | | | 3-1734099-2 |
| | | | | | | 1-1734099-2 |
| 68 | 30 | 10 | 300 | 1.69 | 2.64 | 4-1734099-7 |
| | | | | | | 2-1734099-7 |
| | | | | | | 1734099-7 |
| 60 | 30 | 10 | 300 | 1.53 | 2.48 | 4-1734099-6 |
| | | | | | | 2-1734099-6 |
| | | | | | | 1734099-6 |
| 50 | 35 | 10 | 350 | 1.58 | 2.56 | 4-1734099-5 |
| | | | | | | 2-1734099-5 |
| | | | | | | 1734099-5 |
| 40 | 45 | 10 | 450 | 1.71 | 2.66 | 4-1734099-4 |
| | | | | | | 2-1734099-4 |
| | | | | | | 1734099-4 |

THIS DRAWING IS A CONTROLLED DOCUMENT.

STE TE Connectivity

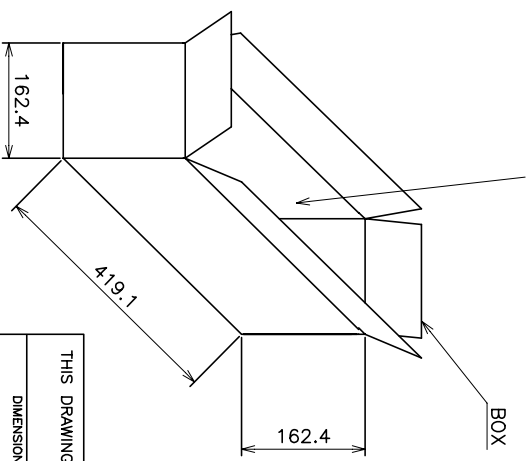
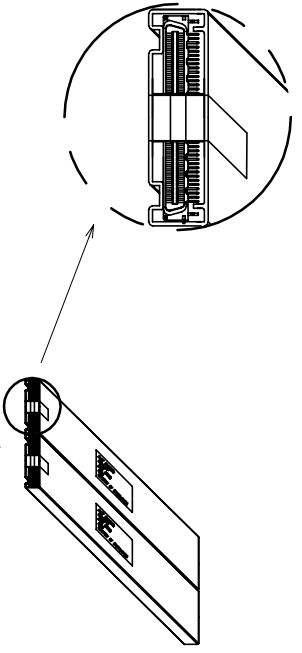
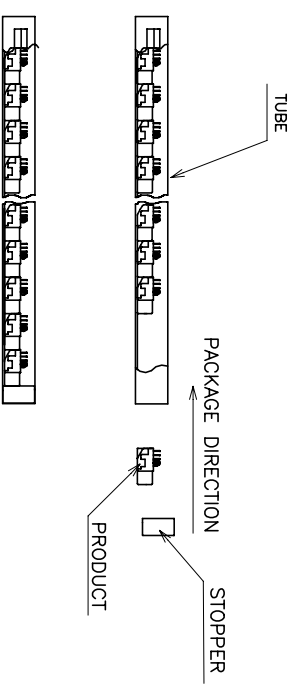
PLUG ASSEMBLY, R/A,
BTB, CHAMP .050, SERIES I

| | | | | | | |
|-----|-----|------|--------------|------------------|--------|------------------|
| DMN | CHK | APVD | PRODUCT SPEC | APPLICATION SPEC | WEIGHT | CUSTOMER DRAWING |
| - | - | - | - | - | - | - |

| | | | | |
|------|-------|-----------|------------|---------------|
| NAME | SIZE | QAGE CODE | DRAWING NO | RESTRICTED TO |
| A3 | 00779 | 1734099 | | |

SCALE: 5 OF 5 SHEET: H1

| REVISIONS | | | | | |
|-----------|-----|-------------|------|-----|------|
| P | LTR | DESCRIPTION | DATE | DMN | APVD |
| - | - | SEE SHEET 1 | - | - | - |



| POS. | QTY/ TUBE | TUBE/ BOX | QTY/ BOX | N/W (KG) | G/W (KG) | PART NUMBER |
|------|--------------|--------------|-------------|-------------|-------------|---|
| 100 | 21 | 16 | 336 | 2.60 | 3.44 | 5-1734099-0 3-1734099-0 1-1734099-0 |
| 80 | 21 | 16 | 336 | 2.15 | 3.00 | 4-1734099-8 2-1734099-8 1734099-8 |

THIS DRAWING IS A CONTROLLED DOCUMENT.

| DIMENSIONS: | TOLERANCES UNLESS OTHERWISE SPECIFIED: |
|-------------|--|
| mm | |
| 0 P/C | ± |
| 1 P/C | ± |
| 2 P/C | ± |
| 3 P/C | ± |
| 4 P/C | ± |
| ANGLES | ± |
| FINISH | ± |



| DMN | CHK | APVD | PRODUCT SPEC | APPLICATION SPEC | WEIGHT |
|-----|-----|------|--------------|------------------|--------|
| - | - | - | - | - | - |



PLUG ASSEMBLY, R/A,
BTB, CHAMP .050, SERIES I

| NAME | SIZE | CAGE CODE | DRAWING NO | RESTRICTED TO |
|------|-------|-----------|------------|---------------|
| A3 | 00779 | 1734099 | | |

CUSTOMER DRAWING

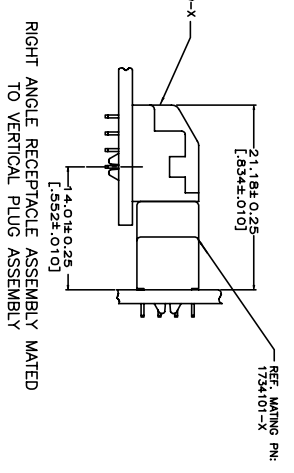
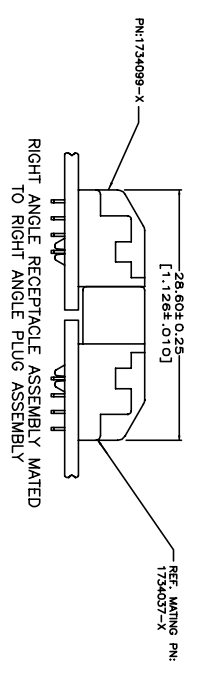
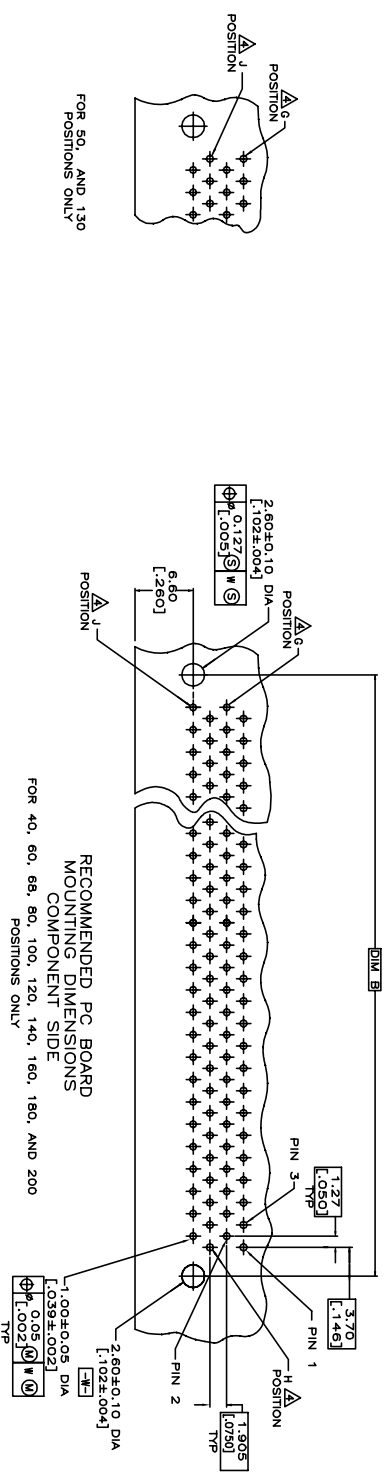
| SCALE | SHEET | OF | REV |
|-------|-------|----|-----|
| - | 4 | 5 | H1 |

THIS DRAWING IS UNPUBLISHED.
 COPYRIGHT - By - ALL RIGHTS RESERVED.

RELEASED FOR PUBLICATION
 ALL RIGHTS RESERVED.

REVISIONS

| P | LTR | DESCRIPTION | DATE | DMN | APVD |
|---|-----|-------------|------|-----|------|
| - | - | SEE SHEET 1 | - | - | - |



THIS DRAWING IS A CONTROLLED DOCUMENT.

| DIM | CHK | APVD | NAME |
|-----|-----|------|------|
| - | - | - | - |

| DIMENSIONS: | TOLERANCES UNLESS OTHERWISE SPECIFIED: |
|-------------|--|
| mm | |
| 0 P/C | ± |
| 1 P/C | ± |
| 2 P/C | ± |
| 3 P/C | ± |
| 4 P/C | ± |
| ANGLES | ± |

| MATERIAL | FINISH | WEIGHT |
|----------|--------|--------|
| - | - | - |

| APVD | PRODUCT SPEC | APPLICATION SPEC | CUSTOMER DRAWING |
|------|--------------|------------------|------------------|
| - | - | - | - |

STE TE Connectivity

PLUG ASSEMBLY, R/A,
 BTB, CHAMP .050, SERIES I

| SIZE | CAGE CODE | DRAWING NO | RESTRICTED TO |
|------|-----------|------------|---------------|
| A3 | 00779 | 1734099 | - |

| SCALE | SHEET | REV |
|-------|--------|-----|
| - | 3 of 5 | H1 |

X-ON Electronics

Largest Supplier of Electrical and Electronic Components

Click to view similar products for [Board to Board & Mezzanine Connectors](#) category:

Click to view products by [TE Connectivity](#) manufacturer:

Other Similar products are found below :

[589158040000018](#) [MDF7C-18P-2.54DSA\(55\)](#) [FCN-230C068-11](#) [FCN-268F012-G/BD](#) [FCN-268F036-G/BD](#) [FCN-268M012-G/0D](#) [FCN-268M024-G/1D](#) [FCN-723J004/1](#) [MIS-048-01-F-D-DP-K](#) [832-10-034-10-001000](#) [FX4C-80S-1.27DSA](#) [FCN-214Q030-G/0](#) [FCN-234P048-G/0](#) [FCN-235D050-G/C](#) [210-93-314-41-105000](#) [2-22603-0](#) [MDF7-40DP-2.54DSA\(55\)](#) [AXG720047](#) [5031084030](#) [MIT-114-03-F-D-K](#) [55323-1519](#) [DF33-2P-3.3DSA\(24\)](#) [YFT-20-05-H-03-SB-K](#) [503308-3040](#) [026-6203-PDB](#) [027-6203-PDB](#) [069159702701000](#) [10123981-102LF](#) [101A10019X](#) [55650-0588-C](#) [68684-306](#) [75140-7012](#) [194261-1](#) [FCN-268F024-G0D](#) [10124054-515LF](#) [68685-603](#) [8-1616154-3](#) [MIS-019-01-F-D](#) [541371078](#) [IL-WX-10PB-HF-B-E1000E](#) [FCN-268M024-G/3D](#) [20021832-06016C1LF](#) [KX15-20KLDL-E1000E](#) [MDF7-16DP-2.54DSA\(55\)](#) [AXE810124](#) [FCN-214J100-G/0](#) [FCN-230C068-E/S](#) [AXE812124](#) [AXE816124](#) [AXE720127](#)