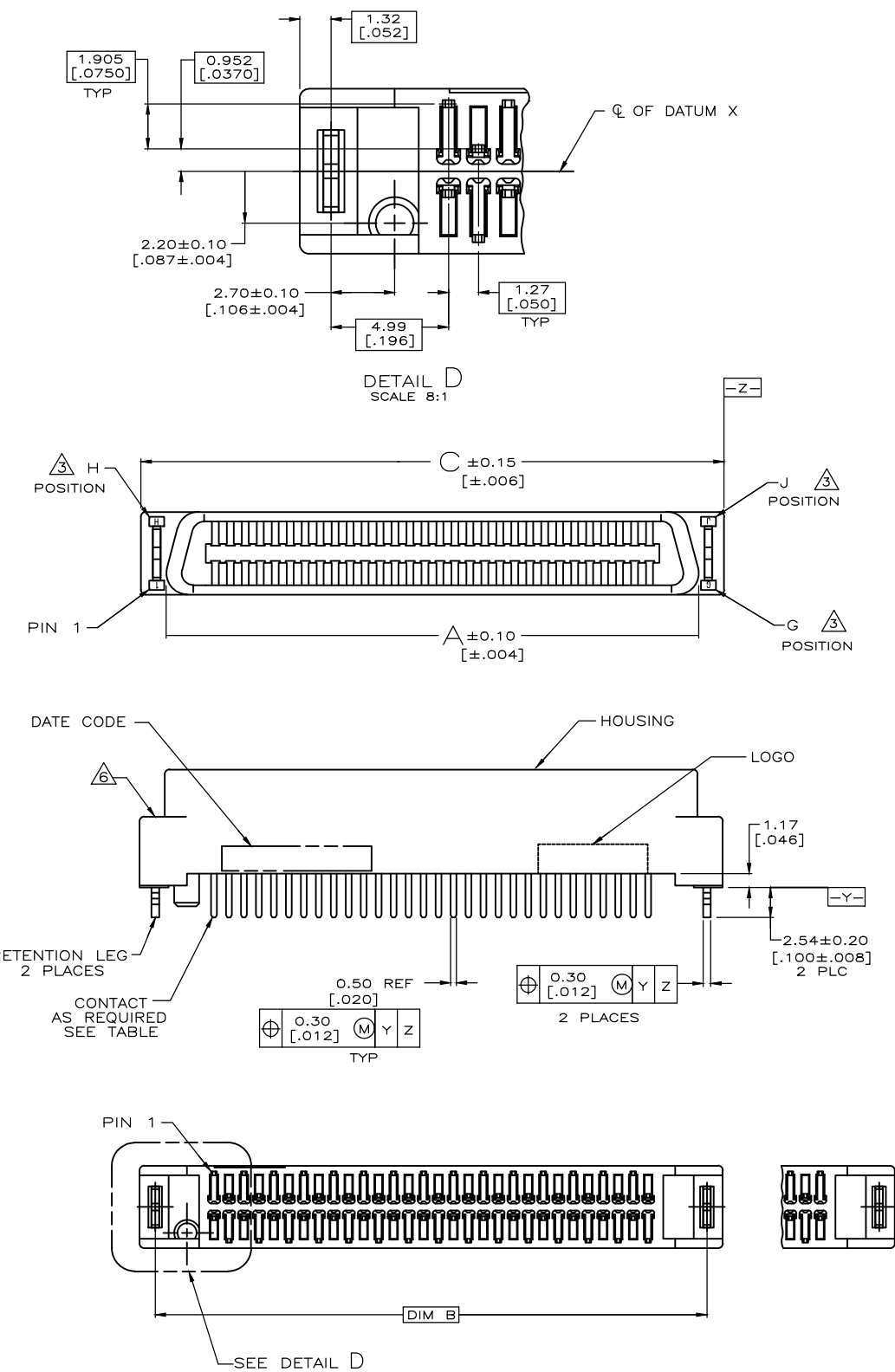


THIS DRAWING IS UNPUBLISHED. RELEASED FOR PUBLICATION  
 © COPYRIGHT - By - ALL RIGHTS RESERVED.

REVISIONS					
P	LTR	DESCRIPTION	DATE	DWN	APVD
	E1	REVISED PER ECO-18-006211	19JUN2018	TX	SH



NOTE:  
 1. MATERIAL:  
 HOUSING: LCP, MOLDING COMPOUND, UL 94V-0, BLACK COLOR.  
 CONTACTS: BRASS.  
 BOARDLOCKS: BRASS.  
 2. FINISH:  
 CONTACTS: (SEE TABLE) GOLD PLATED ON CONTACT AREA,  
 3.81μm [150μ"] MIN. MATTE-TIN ON SOLDERTAIL,  
 1.27μm [50μ"] MIN. NICKEL UNDERPLATED OVERALL.  
 BOARDLOCKS: 3.81μm [150μ"] MIN. TIN-Cu OVER  
 1.27μm [50μ"] MIN. UNDERPLATED.  
 ⚠ G, J, H INDICATE NUMBER OF POSITION MARKED ON ASSEMBLY.  
 ALSO SEE TABLE.  
 ⚠ ALL DIMENSIONS SHOWN ARE MAXIMUM UNLESS OTHERWISE SPECIFIED.  
 ⚠ RETENTION LEGS NOT PRESENT.  
 ⚠ TOP OF RETENTION LEG MAY NOT PROTRUDE ABOVE THIS SURFACE.  
 ⚠ HOUSING BOW UP TO 0.30 [.012] ALLOWED.  
 8. 60 POSITION AS SHOWN.  
 9. WAVE SOLDER CAPABLE TO 265°C PER TEST SPEC.  
 109-202, CONDITION B.  
 ⚠ GOLD FLASH OVER  
 0.762μm [30μ"] MIN. PALLADIUM-NICKEL PLATED.

PCB THICKNESS	E	C	B	A	G	J	H	CONTACT PLATE	PART NUMBER	PDS.
								GOLD FLASH	5-1734100-8	180
	0.80-1.60 [.031-.063]	2.54 [.100]	125.65 [4.947]	123.01 [4.843]	121.37 [4.778]	90	180	0.381mm[15m"]	3-1734100-8	
									1-1734100-8	
									7-1734100-6	160
	0.80-1.60 [.031-.063]	2.54 [.100]	112.95 [4.447]	110.31 [4.343]	108.67 [4.278]	80	160	0.381mm[15m"]	3-1734100-6	
									1-1734100-6	
									5-1734100-3	130
	0.80-1.60 [.031-.063]	2.54 [.100]	93.90 [3.697]	91.26 [3.593]	89.62 [3.528]	65	130	0.381mm[15m"]	3-1734100-3	
									1-1734100-3	
									5-1734100-2	120
	0.80-1.60 [.031-.063]	2.54 [.100]	87.55 [3.447]	84.91 [3.343]	83.27 [3.278]	60	120	0.381mm[15m"]	3-1734100-2	
									1-1734100-2	
									5-1734100-1	100
	0.80-1.60 [.031-.063]	2.54 [.100]	74.85 [2.947]	72.21 [2.843]	70.57 [2.778]	50	100	0.381mm[15m"]	3-1734100-1	
									1-1734100-1	
									5-1734100-0	
	0.80-1.60 [.031-.063]	2.54 [.100]	74.85 [2.947]	72.21 [2.843]	70.57 [2.778]	50	100	0.381mm[15m"]	3-1734100-0	
									1-1734100-0	
									4-1734100-9	80
	0.80-1.60 [.031-.063]	2.54 [.100]	62.15 [2.447]	59.51 [2.343]	57.87 [2.278]	40	80	0.381mm[15m"]	2-1734100-9	
									1734100-9	
									4-1734100-8	80
	0.80-1.60 [.031-.063]	2.54 [.100]	62.15 [2.447]	59.51 [2.343]	57.87 [2.278]	40	80	0.381mm[15m"]	2-1734100-8	
									1734100-8	
									4-1734100-7	68
	0.80-1.60 [.031-.063]	2.54 [.100]	54.53 [2.147]	51.89 [2.043]	50.25 [1.978]	34	68	0.381mm[15m"]	2-1734100-7	
									1734100-7	
									4-1734100-6	60
	0.80-1.60 [.031-.063]	2.54 [.100]	49.45 [1.947]	46.81 [1.843]	45.17 [1.778]	30	60	0.381mm[15m"]	2-1734100-6	
									1734100-6	
									5-1734100-9	50
	0.80-1.60 [.031-.063]	2.54 [.100]	43.10 [1.697]	40.46 [1.593]	38.82 [1.528]	25	50	0.381mm[15m"]	3-1734100-9	
									1-1734100-9	
									4-1734100-5	50
	0.80-1.60 [.031-.063]	2.54 [.100]	43.10 [1.697]	40.46 [1.593]	38.82 [1.528]	25	50	0.381mm[15m"]	2-1734100-5	
									1734100-5	
									4-1734100-4	40
	0.80-1.60 [.031-.063]	2.54 [.100]	36.75 [1.447]	34.11 [1.343]	32.47 [1.278]	20	40	0.381mm[15m"]	2-1734100-4	
									1734100-4	
									4-1734100-3	30
	0.80-1.60 [.031-.063]	2.54 [.100]	30.40 [1.197]	27.76 [1.093]	26.12 [1.025]	15	30	0.381mm[15m"]	2-1734100-3	
									1734100-3	
									4-1734100-2	20
	2.08 [.082]	3.17 [.125]	24.05 [.947]	21.41 [.843]	19.77 [.778]	10	20	0.381mm[15m"]	2-1734100-2	
									1734100-2	

THIS DRAWING IS A CONTROLLED DOCUMENT.		DWN F. YANG 31MAR2009	TE Connectivity Ltd.		
DIMENSIONS: mm		CHK S. CHIEN 31MAR2009			
TOLERANCES UNLESS OTHERWISE SPECIFIED:		APVD W. KODAMA 31MAR2009	NAME		
0 PLC ± - 1 PLC ± - 2 PLC ± - 3 PLC ± - 4 PLC ± - ANGLES ± -		PRODUCT SPEC 108-57876	PLUG ASSEMBLY, VERTICAL BOARD-TO-BOARD, CHAMP .050, SERIES I		
MATERIAL SEE NOTE		FINISH SEE NOTE	APPLICATION SPEC	SIZE A3	CAGE CODE 00779
		WEIGHT 0	DRAWING NO C-1734100	RESTRICTED TO	
		CUSTOMER DRAWING	SCALE	SHEET 1 OF 6	REV E1

THIS DRAWING IS UNPUBLISHED.

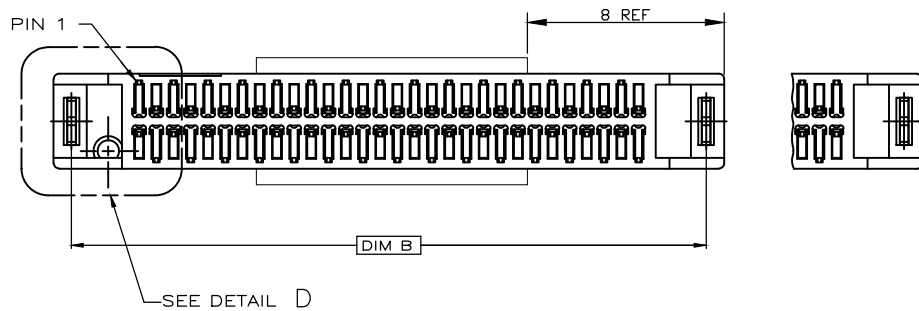
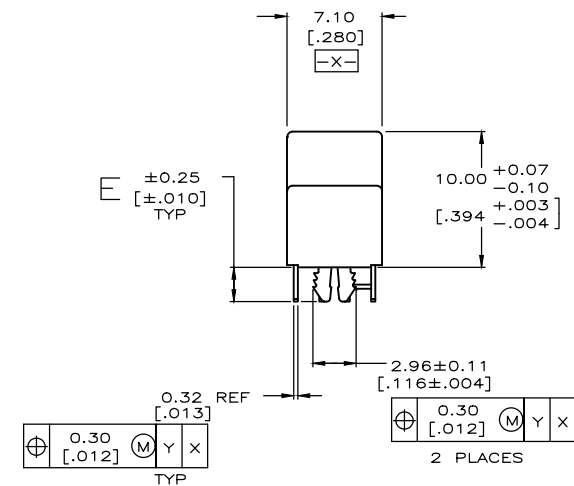
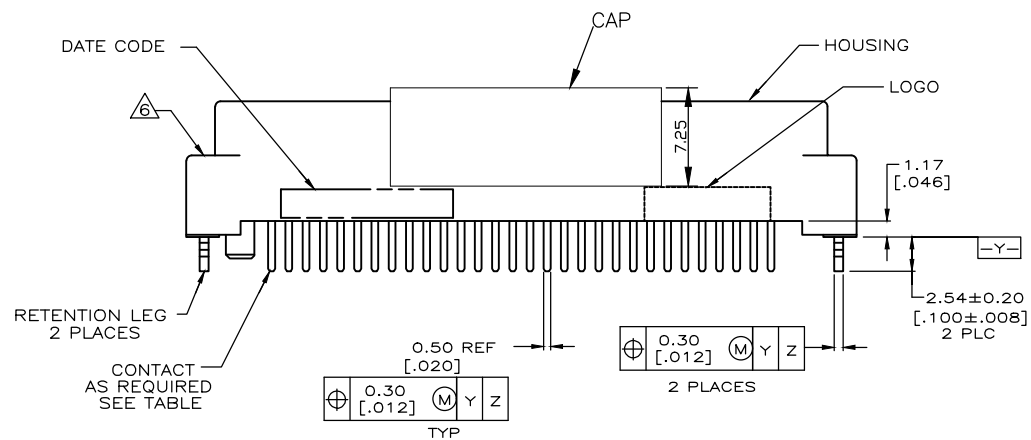
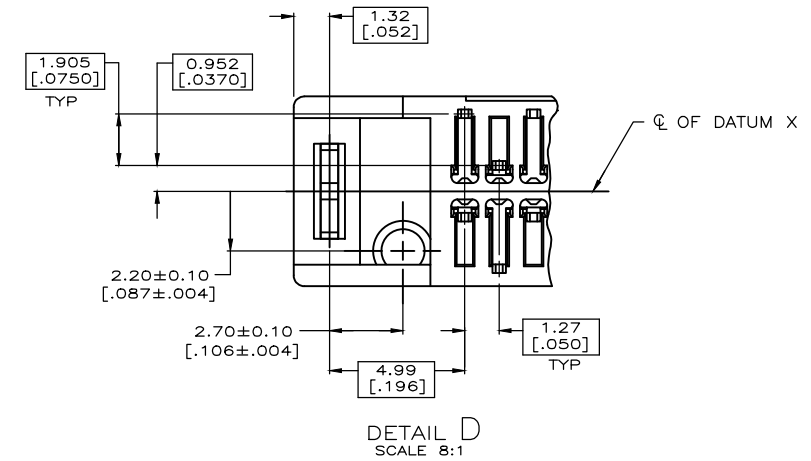
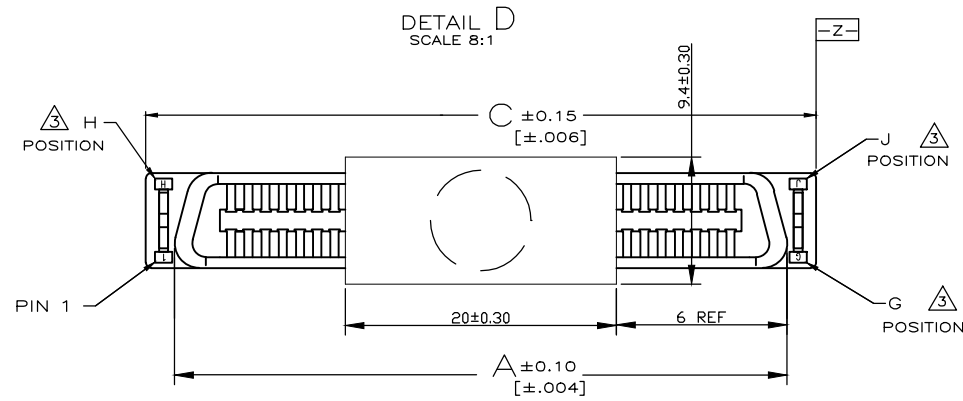
RELEASED FOR PUBLICATION

© COPYRIGHT - By -

ALL RIGHTS RESERVED.

REVISIONS

P	LTR	DESCRIPTION	DATE	DWN	APVD
-	-	SEE SHEET 1	-	-	-



FOR 5-1734100-4 WITH CAP

0.80-1.60 [.031-.063]	2.54 [.100]	36.75 [1.447]	34.11 [1.343]	32.47 [1.278]	20	40	21		5-1734100-4	40
PCB THICKNESS	E	C	B	A	G	J	H	CONTACT PLATED	PART NUMBER	PDS.

THIS DRAWING IS A CONTROLLED DOCUMENT.		DWN F. YANG 31 MAR 2009	TE Connectivity Ltd.															
DIMENSIONS: mm		CHK S. CHIEN 31 MAR 2009																
TOLERANCES UNLESS OTHERWISE SPECIFIED:		APVD W. KODAMA 31 MAR 2009	NAME PLUG ASSEMBLY, VERTICAL BOARD-TO-BOARD, CHAMP .050, SERIES I															
<table border="1"> <tr> <td>0 PLC</td><td>± -</td></tr> <tr> <td>1 PLC</td><td>± -</td></tr> <tr> <td>2 PLC</td><td>± -</td></tr> <tr> <td>3 PLC</td><td>± -</td></tr> <tr> <td>4 PLC</td><td>± -</td></tr> <tr> <td>ANGLES</td><td>± -</td></tr> </table>		0 PLC	± -	1 PLC	± -	2 PLC	± -	3 PLC	± -	4 PLC	± -	ANGLES	± -	PRODUCT SPEC 108-57876	SIZE A3			
0 PLC	± -																	
1 PLC	± -																	
2 PLC	± -																	
3 PLC	± -																	
4 PLC	± -																	
ANGLES	± -																	
MATERIAL SEE NOTE		FINISH SEE NOTE	APPLICATION SPEC -	WEIGHT 0	CAGE CODE 00779	DRAWING NO C-1734100	RESTRICTED TO -											
CUSTOMER DRAWING			SCALE -	SHEET 2 of 6	REV E1													



THIS DRAWING IS UNPUBLISHED.

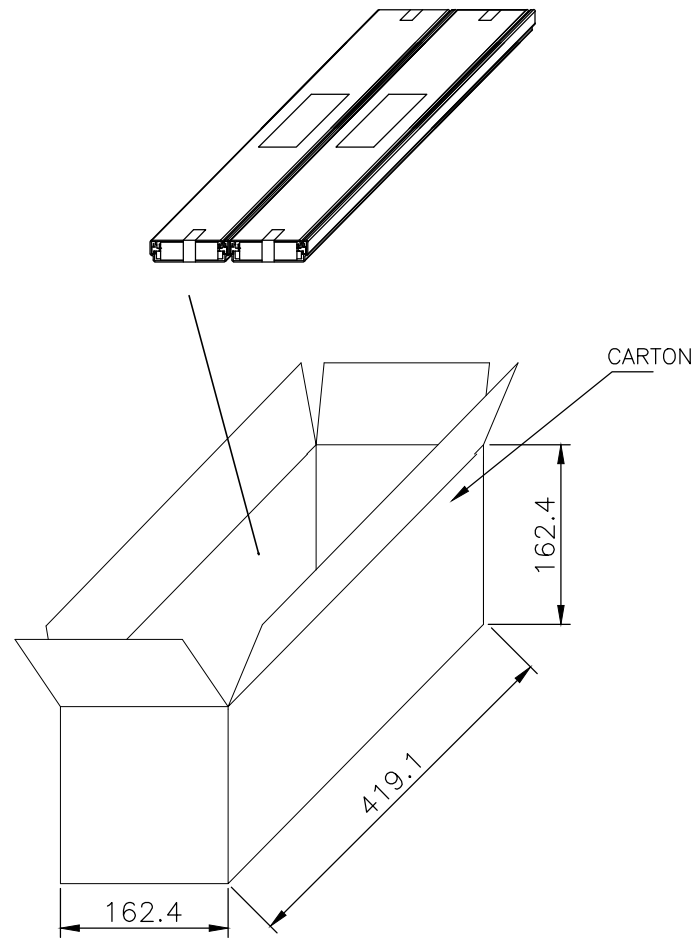
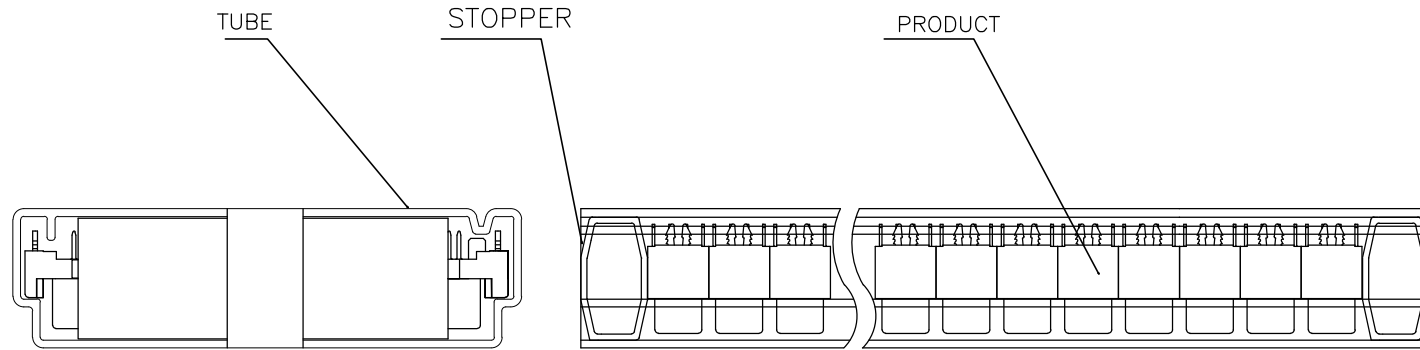
RELEASED FOR PUBLICATION

---

REVISIONS

© COPYRIGHT - By - ALL RIGHTS RESERVED.

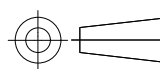
P	LTR	DESCRIPTION	DATE	DWN	APVD
-	-	SEE SHEET 1	-	-	-



G.W./CARTON	N.W./CARTON	PCS/TUBE	TUBES/CARTON	QUANTITY/CARTON (PCS)	PART NUMBER	PDS.
4.88	3.42	54	8	432	5-1734100-2 3-1734100-2 1-1734100-2	120
7.70	5.58	54	16	864	5-1734100-0 3-1734100-0 1-1734100-0	100
ⓓ OBSOLETE		5.28	3.80		4-1734100-9 2-1734100-9 1734100-9	
5.38	3.90	54	16	864	4-1734100-8 2-1734100-8 1734100-8	80
4.76	3.37	54	16	864	4-1734100-7 2-1734100-7 1734100-7	68
4.36	3.11	54	16	864	4-1734100-6 2-1734100-6 1734100-6	60
ⓓ OBSOLETE		5.72	4.08		5-1734100-9 3-1734100-9	
5.70	4.07	54	24	1296	1-1734100-9 4-1734100-5 2-1734100-5 1734100-5	50
4.77	3.50	54	24	1296	4-1734100-4 2-1734100-4 1734100-4	40
4.46	3.03	54	24	1296	4-1734100-3 2-1734100-3 1734100-3	30

THIS DRAWING IS A CONTROLLED DOCUMENT.

DIMENSIONS: mm



TOLERANCES UNLESS OTHERWISE SPECIFIED:

0 PLC	± -
1 PLC	± -
2 PLC	± -
3 PLC	± -
4 PLC	± -
ANGLES	± -
FINISH	

MATERIAL

FINISH

DWN	-
CHK	-
APVD	-
PRODUCT SPEC	-
APPLICATION SPEC	-
WEIGHT	-



PLUG ASSEMBLY, VERTICAL  
BOARD-TO-BOARD,  
CHAMP .050, SERIES I

SIZE	CAGE CODE	DRAWING NO	RESTRICTED TO
A3	00779	C-1734100	-

CUSTOMER DRAWING	SCALE	SHEET	REV
-	-	4 OF 6	E1

4

3

2

1

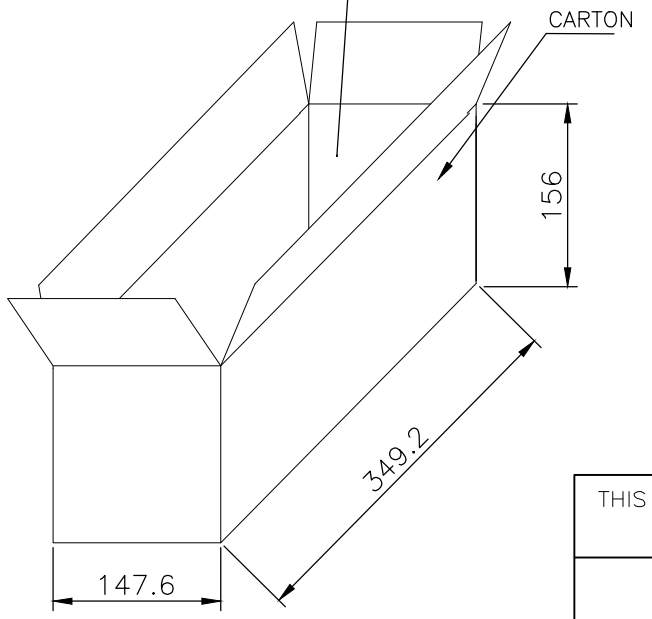
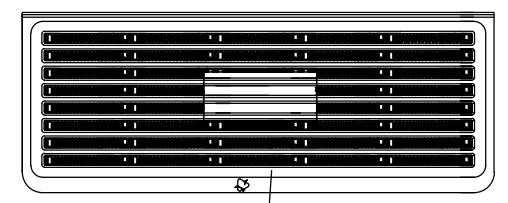
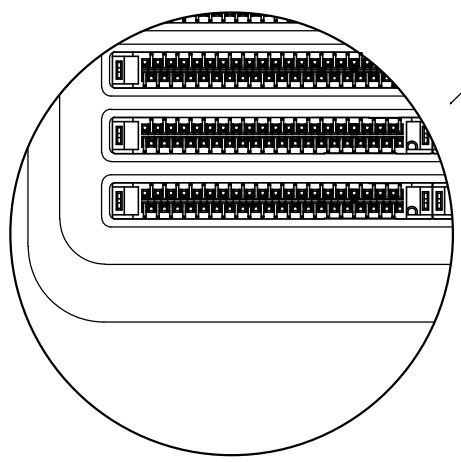
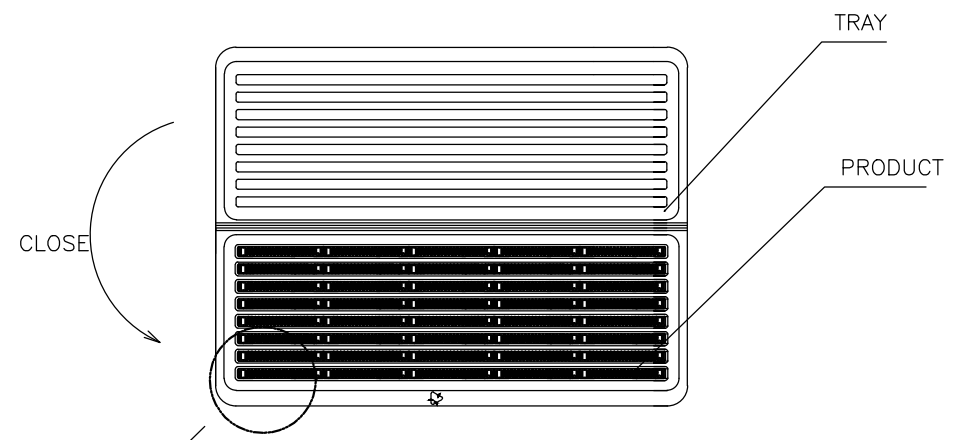
THIS DRAWING IS UNPUBLISHED.

RELEASED FOR PUBLICATION

REVISIONS


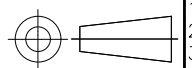
© COPYRIGHT - By - ALL RIGHTS RESERVED.

P	LTR	DESCRIPTION	DATE	DWN	APVD
-	-	SEE SHEET 1	-	-	-



ⓓ2 OBSOLETE	2.85	1.97	16	10	160	5-1734100-8	180
						3-1734100-8	
						1-1734100-8	
	2.62	1.73	16	10	160	5-1734100-6	160
						3-1734100-6	
						1-1734100-6	
	G.W./CARTON (KG)	N.W./CARTON (KG)	PCS/TRAY	TRAYS/CARTON	QUANTITY/CARTON (PCS)	PART NUMBER	PDS.

THIS DRAWING IS A CONTROLLED DOCUMENT.

DIMENSIONS: mm	TOLERANCES UNLESS OTHERWISE SPECIFIED:	DWN	 TE Connectivity Ltd.			
	0 PLC ± -	CHK	NAME			
	1 PLC ± -	APVD	PLUG ASSEMBLY, VERTICAL BOARD-TO-BOARD, CHAMP .050, SERIES I			
MATERIAL	2 PLC ± -	PRODUCT SPEC	SIZE	CAGE CODE	DRAWING NO	RESTRICTED TO
	3 PLC ± -	APPLICATION SPEC	A3	00779	C-1734100	-
	4 PLC ± -	WEIGHT	CUSTOMER DRAWING			
	ANGLES ± -		SCALE	SHEET	REV	
	FINISH		-	5 of 6	E1	

THIS DRAWING IS UNPUBLISHED.

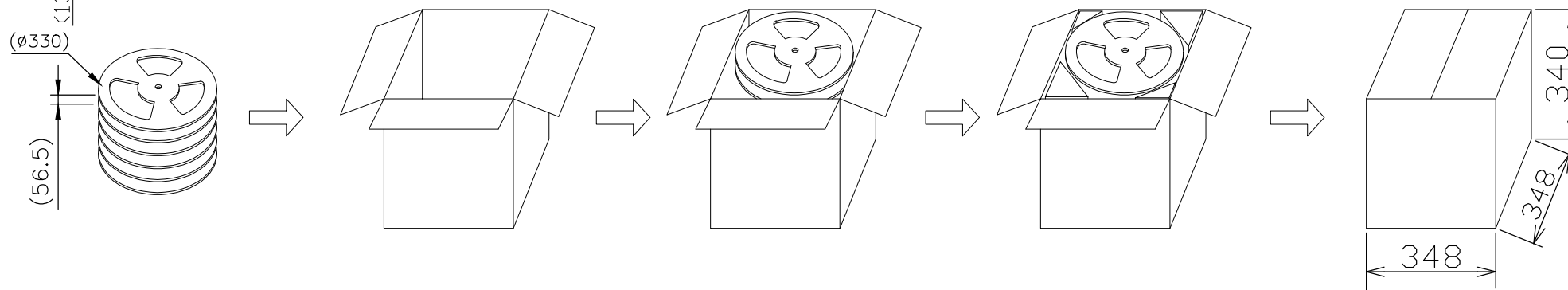
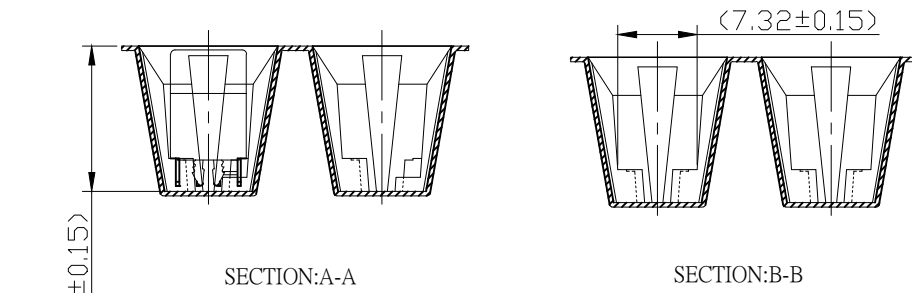
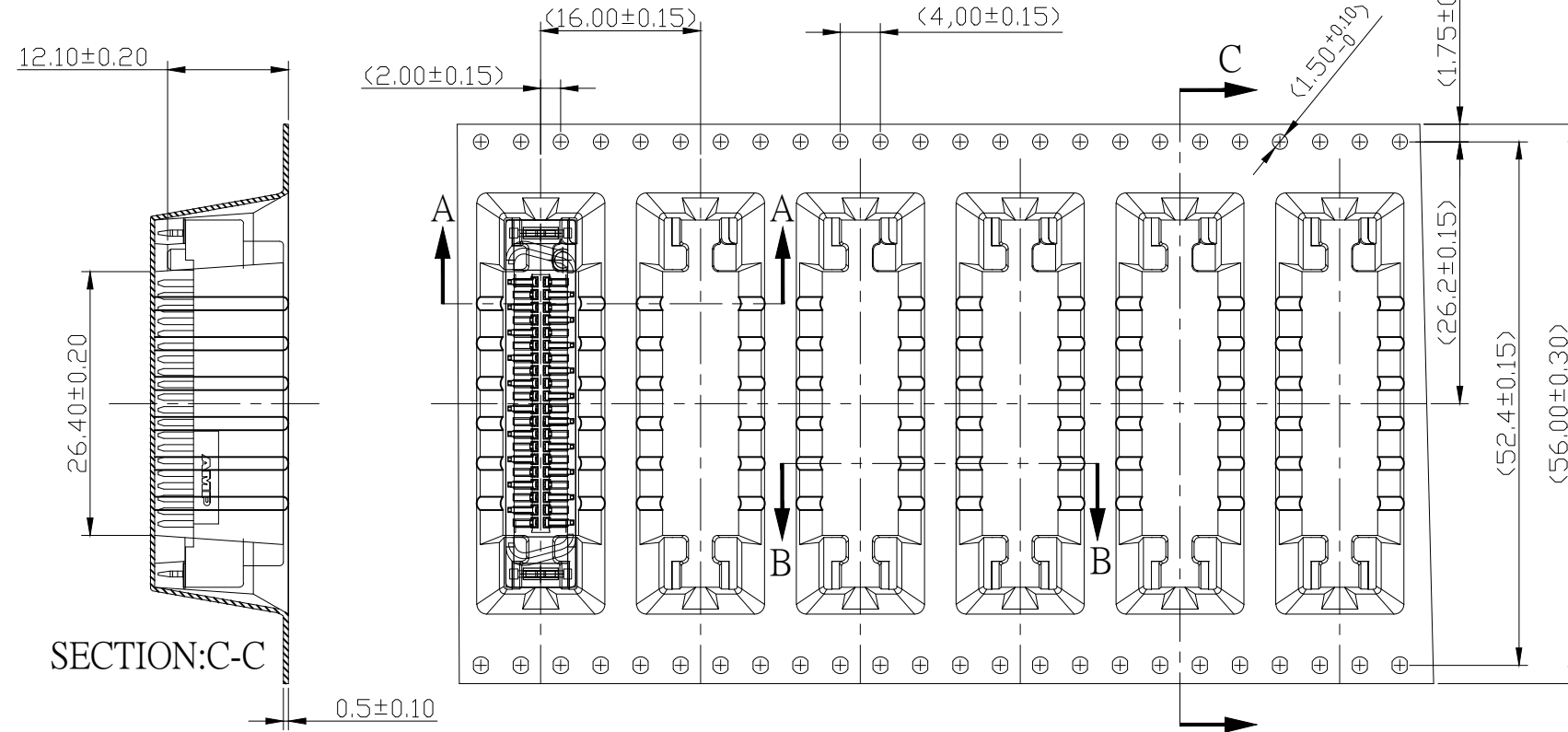
RELEASED FOR PUBLICATION

ALL RIGHTS RESERVED.

© COPYRIGHT - By -

REVISIONS

P	LTR	DESCRIPTION	DATE	DWN	APVD
-	-	SEE SHEET 1	-	-	-



THIS DRAWING IS A CONTROLLED DOCUMENT.

DIMENSIONS:	TOLERANCES UNLESS OTHERWISE SPECIFIED:
mm	
	0 PLC ± -
	1 PLC ± -
	2 PLC ± -
	3 PLC ± -
	4 PLC ± -
	ANGLES ± -

DWN	-
CHK	-
APVD	-
PRODUCT SPEC	-
APPLICATION SPEC	-
WEIGHT	0

**STE** TE Connectivity Ltd.

NAME: PLUG ASSEMBLY, VERTICAL BOARD-TO-BOARD, CHAMP .050, SERIES I

SIZE	CAGE CODE	DRAWING NO	RESTRICTED TO
A3	00779	C-1734100	-

G.W./CARTON (KG)	N.W./CARTON (KG)	PCS/REEL	REEL/CARTON	QUANTITY/CARTON (PCS)	PART NUMBER	POS.
7.3	3.5	200	5	1000	5-1734100-4	40

MATERIAL	FINISH
-	-

CUSTOMER DRAWING	SCALE -	SHEET 6 of 6	REV E1
------------------	---------	--------------	--------

## X-ON Electronics

Largest Supplier of Electrical and Electronic Components

*Click to view similar products for [I/O Connectors](#) category:*

*Click to view products by [TE Connectivity](#) manufacturer:*

Other Similar products are found below :

[571763P](#) [58098-0628](#) [72.250.1628.2](#) [72.250.2428.2](#) [74720-0505](#) [76.350.0729.0](#) [76871-1403](#) [FCN-244F080-G/1](#) [FCN-260A9920](#) [MP-5T180MUNNA-005](#) [PCR-E36PM](#) [PCS-XE26MA+](#) [G38A71314B](#) [1571250010](#) [157-22500-3](#) [MS3471L14-19P L/C](#) [91-569786-35H](#) [172501-4002](#) [172501-6002](#) [FCN-260C008-A/L0](#) [FCN-260C024-AL0](#) [FCN-261Z008](#) [2000314-1](#) [200331-1](#) [PCR-E36FC+](#) [PCS-E28FS+](#) [PCS-XE26SLFD+](#) [PCS-XE26SLFDT+](#) [G730VID08BDC24](#) [U90B2054081210](#) [UE86K842720321](#) [38113800006](#) [DP3AR020WQ1R200](#) [Z4.102.0680.0](#) [500-1040](#) [500-1052](#) [500-1054](#) [ZP-4008-66L](#) [0709821002](#) [10-565995-597N](#) [DX40-20P\(55\)](#) [5554841-1](#) [MS3474W18-8P-LC\\*](#) [U90B3054061110](#) [U65-E04-4020](#) [ZPF000000000097891](#) [557-262M2-06C](#) [747360449](#) [10099439-003C-TRLF](#) [10137239-0021LF](#)