





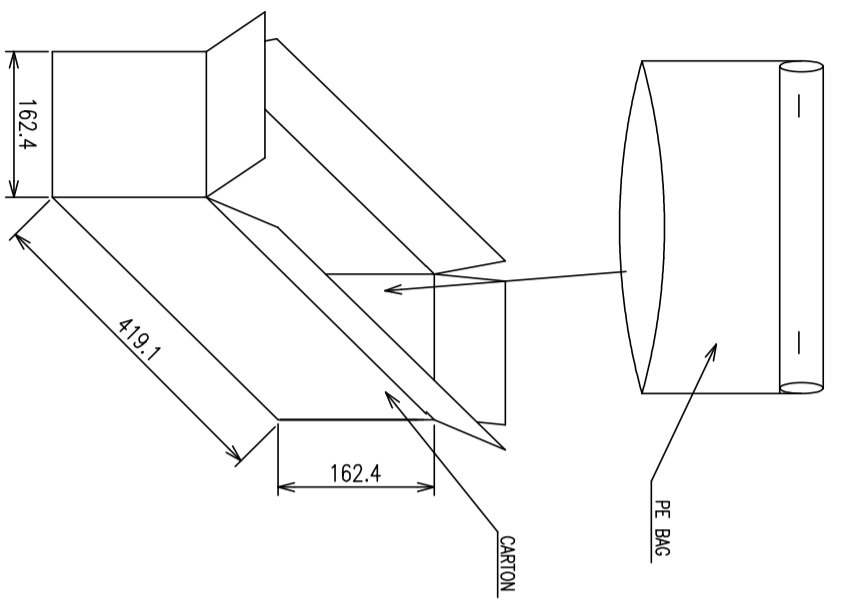
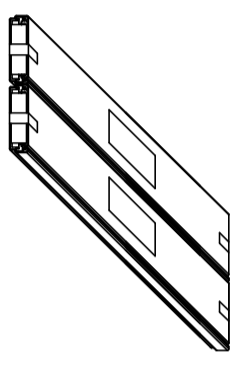
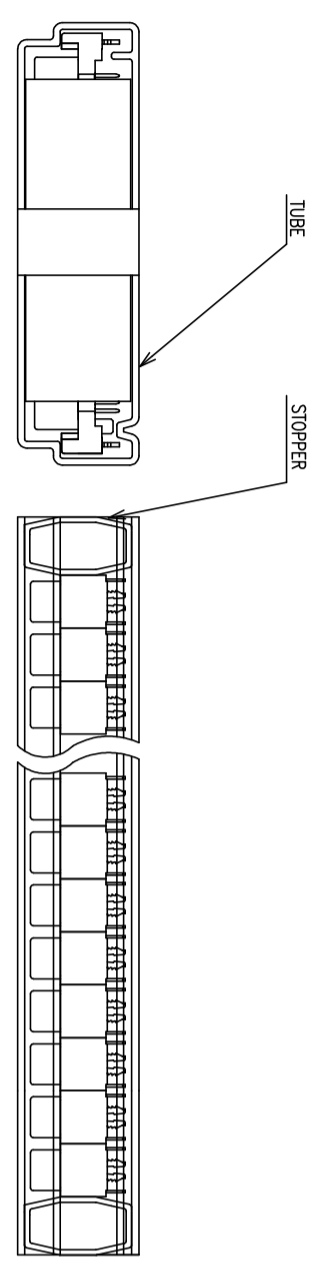
THIS DRAWING IS UNPUBLISHED. RELEASED FOR PUBLICATION AUG. 2006.

© COPYRIGHT BY TYCO ELECTRONICS CORPORATION. ALL RIGHTS RESERVED.

Loc DW DIST

REVISIONS

P	LTR	DESCRIPTION	DATE	DMN	APVD
		SEE SHEET 1.			



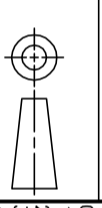
DMN	CHK	APVD	PRODUCT SPEC	QUALIFICATION TEST REPORT	WEIGHT	CUSTOMER DRAWING	G.W./CARTON (KG)	N.W./CARTON (KG)	PCS/TUBE	TUBES/CARTON	QUANTITY/CARTON (PCS)	PART NUMBER	POS.
							4.21	2.89	54	8	432	5-1734101-3	120
							6.84	4.92	54	16	864	3-1734101-1	100
							5.61	4.06	54	16	864	5-1734101-8	80
							5.05	3.63	54	16	864	6-1734101-7	68
							4.65	3.23	54	16	864	7-1734101-7	60
							4.28	3.11	54	16	864	4-1734101-6	60
							4.72	3.42	54	16	864	6-1734101-6	60
							5.32	4.02	54	24	1296	2-1734101-7	50
							4.42	3.37	54	24	1296	5-1734101-4	40
							6.25	5.36	54	32	1728	6-1734101-3	30

STE TE Connectivity

RECEPTACLE ASSEMBLY, VERTICAL, BOARD-TO-BOARD, CHAMP.050, SERIES 1,

THIS DRAWING IS A CONTROLLED DOCUMENT.

DIMENSIONS:	MM	TOLERANCES UNLESS OTHERWISE SPECIFIED:
0	PLC	± .1
1	PLC	± .1
2	PLC	± .1
3	PLC	± .1
4	P/C ANGLES	± .1



MATERIAL	FINISH

NAME	SIZE	CAGE CODE	DRAWING NO	RESTRICTED TO
RECEPTACLE ASSEMBLY, VERTICAL, BOARD-TO-BOARD, CHAMP.050, SERIES 1,	A3	00779	1734101	

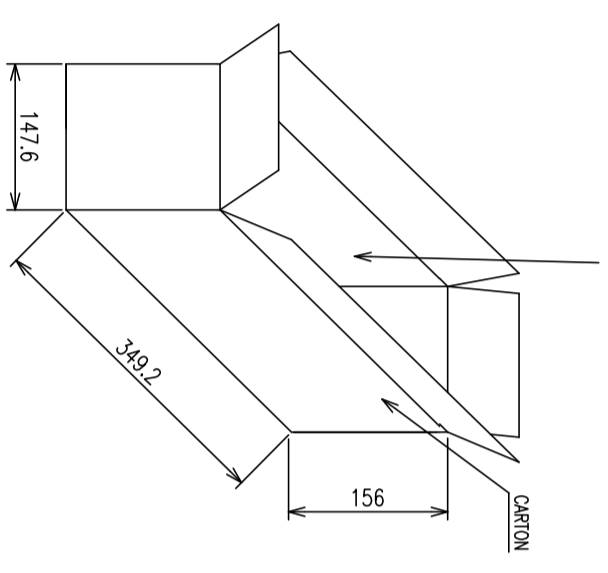
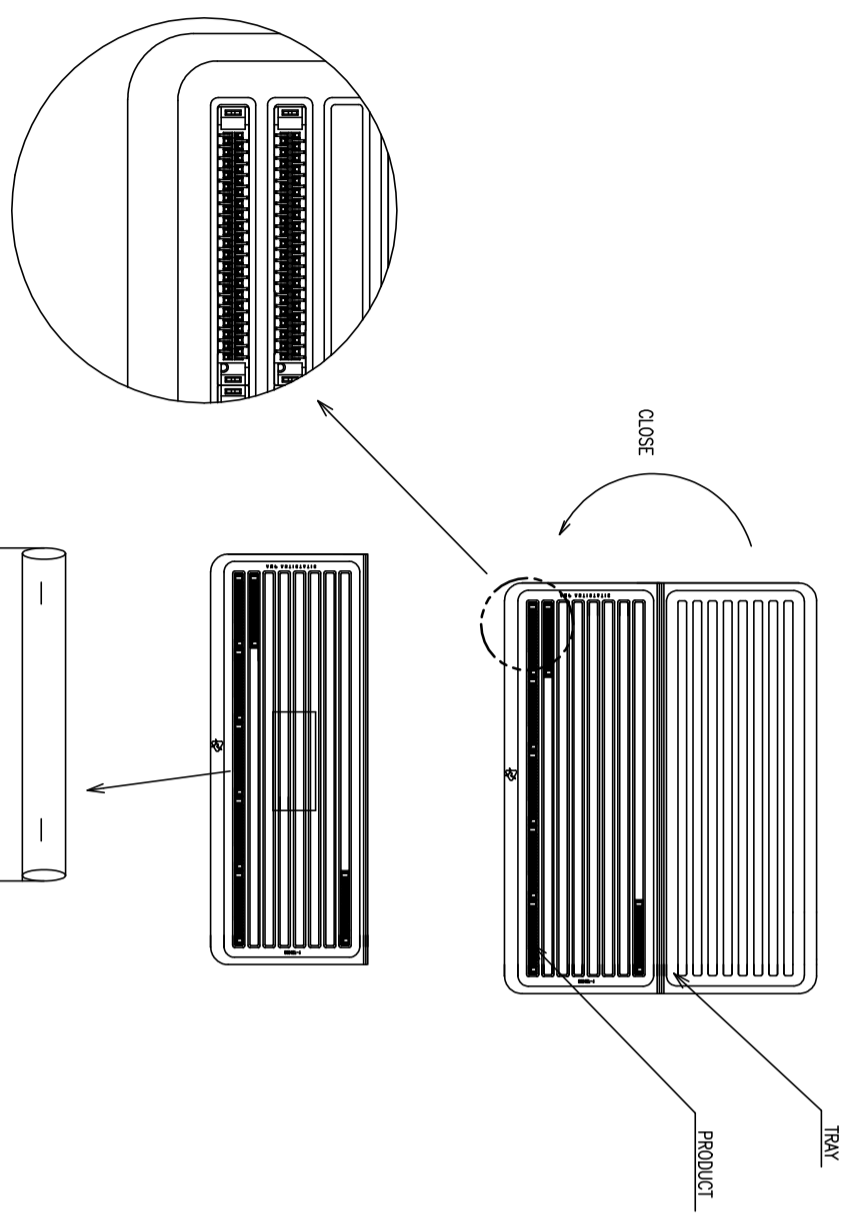
THIS DRAWING IS UNPUBLISHED.  
 © COPYRIGHT - BY TYCO ELECTRONICS CORPORATION. ALL RIGHTS RESERVED.

RELEASED FOR PUBLICATION  
 AUG. 2006.

Loc DW  
 DIST

REVISIONS

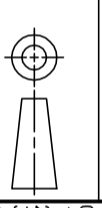
P	LTR	DESCRIPTION	DATE	DWN	APVD
		SEE SHEET 1.			



OBsolete	G.W./CARTON (KG)	N.W./CARTON (KG)	PCS/TRAY	TRAYS/CARTON	QUANTITY/CARTON (PCS)	PART NUMBER	POS.
OBsolete	2.69	1.71	16	10	160	5-1734101-6 3-1734101-6 1-1734101-6 5-1734101-5 3-1734101-5 1-1734101-5	200
	2.37	1.39	16	10	160	5-1734101-4 3-1734101-4 1-1734101-4	160
OBsolete	2.48	1.50	32	10	320	4-1734101-9 6-1734101-9 1734101-9	80

THIS DRAWING IS A CONTROLLED DOCUMENT.

DIMENSIONS:	TOLERANCES UNLESS OTHERWISE SPECIFIED:
MM	0 PLC ±.1
	1 PLC ±.1
	2 PLC ±.1
	3 PLC ±.1
	4. P.C. ANGLES ±.1



FINISH	MATERIAL

**STE** TE Connectivity

RECEPTACLE ASSEMBLY,  
 VERTICAL, BOARD-TO-BOARD,  
 CHAMP.050, SERIES 1,

APVD	NAME	SIZE	CAGE CODE	DRAWING NO	SCALE	SHEET	OF	REV
		A3	00779	1734101		4	4	2

## X-ON Electronics

Largest Supplier of Electrical and Electronic Components

*Click to view similar products for [Board to Board & Mezzanine Connectors](#) category:*

*Click to view products by [TE Connectivity](#) manufacturer:*

Other Similar products are found below :

[589158040000018](#) [MDF7C-18P-2.54DSA\(55\)](#) [FCN-230C068-11](#) [FCN-268F012-G/BD](#) [FCN-268F036-G/BD](#) [FCN-268M012-G/0D](#) [FCN-268M024-G/1D](#) [FCN-723J004/1](#) [MIS-048-01-F-D-DP-K](#) [832-10-034-10-001000](#) [FX4C-80S-1.27DSA](#) [FCN-214Q030-G/0](#) [FCN-234P048-G/0](#) [FCN-235D050-G/C](#) [210-93-314-41-105000](#) [2-22603-0](#) [MDF7-40DP-2.54DSA\(55\)](#) [AXG720047](#) [5031084030](#) [MIT-114-03-F-D-K](#) [55323-1519](#) [DF33-2P-3.3DSA\(24\)](#) [YFT-20-05-H-03-SB-K](#) [503308-3040](#) [026-6203-PDB](#) [027-6203-PDB](#) [069159702701000](#) [10123981-102LF](#) [101A10019X](#) [55650-0588-C](#) [68682-310LF](#) [68684-306](#) [75140-7012](#) [87471-650](#) [194261-1](#) [FCN-268F024-G0D](#) [10124054-515LF](#) [68685-603](#) [8-1616154-3](#) [MIS-019-01-F-D](#) [FCN-268M024-G/3D](#) [20021832-06016C1LF](#) [KX15-20KLDL-E1000E](#) [MDF7-16DP-2.54DSA\(55\)](#) [AXE810124](#) [FCN-214J100-G/0](#) [FCN-230C068-E/S](#) [AXE812124](#) [AXE816124](#) [AXE720127](#)