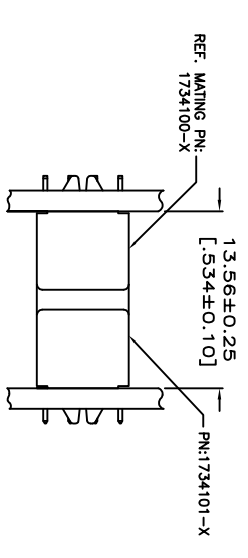
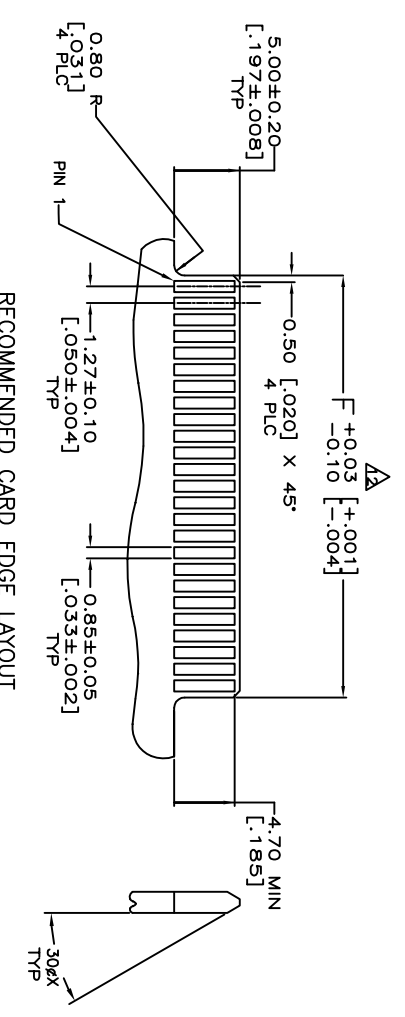
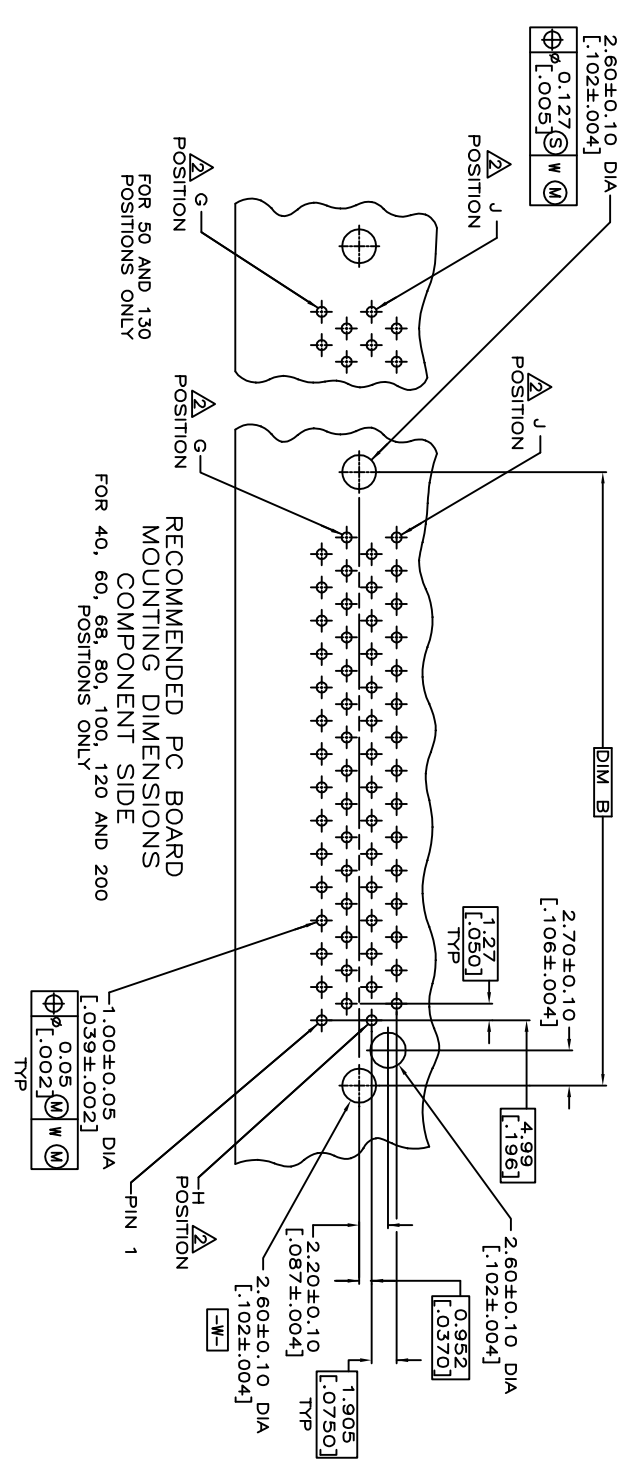
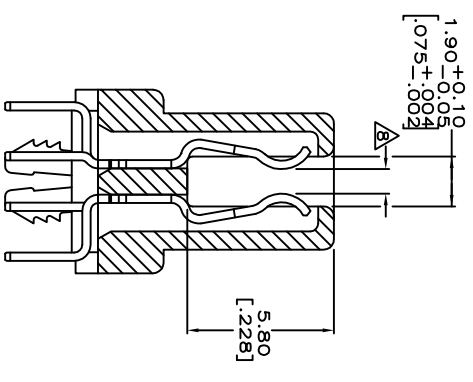


THIS DRAWING IS UNPUBLISHED.
 © COPYRIGHT BY TYCO ELECTRONICS CORPORATION. ALL RIGHTS RESERVED.
 RELEASED FOR PUBLICATION AUG. 2006.

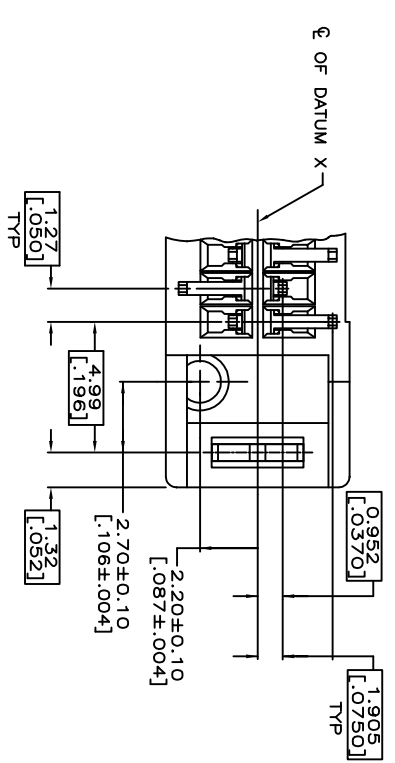
LOC	DIST	REVISIONS	DATE	DWN	APVD
DW					
P	LTR	DESCRIPTION			
		SEE SHEET 1.			



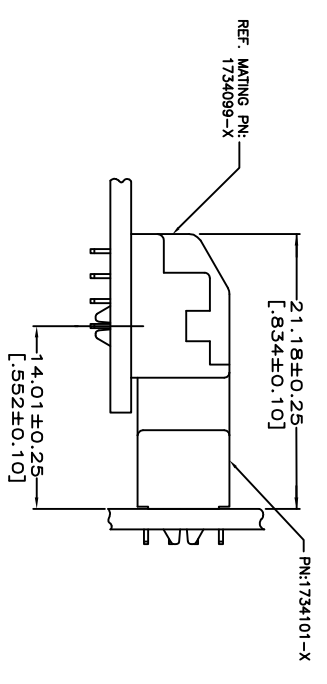
VERTICAL RECEPTACLE ASSEMBLY MATED TO VERTICAL PLUG ASSEMBLY



SECTION E-E SCALE 8:1



DETAIL D SCALE 8:1



VERTICAL RECEPTACLE ASSEMBLY MATED TO VERTICAL PLUG ASSEMBLY

THIS DRAWING IS A CONTROLLED DOCUMENT.

DIMENSIONS: MM		TOLERANCES UNLESS OTHERWISE SPECIFIED:		DWN		NAME	
0	PLC	±	-	CHK		STE TE Connectivity	
1	PLC	±	-	APVD		RECEPTACLE ASSEMBLY, VERTICAL, BOARD-TO-BOARD, CHAMP.050, SERIES 1,	
2	PLC	±	-	PRODUCT SPEC		SIZE	
3	PLC	±	-	QUALIFICATION TEST REPORT		A3 00779	
4	PLC	±	-	WEIGHT		CAGE CODE	
	ANGLES	±	-	CUSTOMER DRAWING		G 1734101	
	FINISH	±	-			DRAWING NO	
		±	-			SCALE	
		±	-			SHEET	
		±	-			REV	
		±	-			E 2	

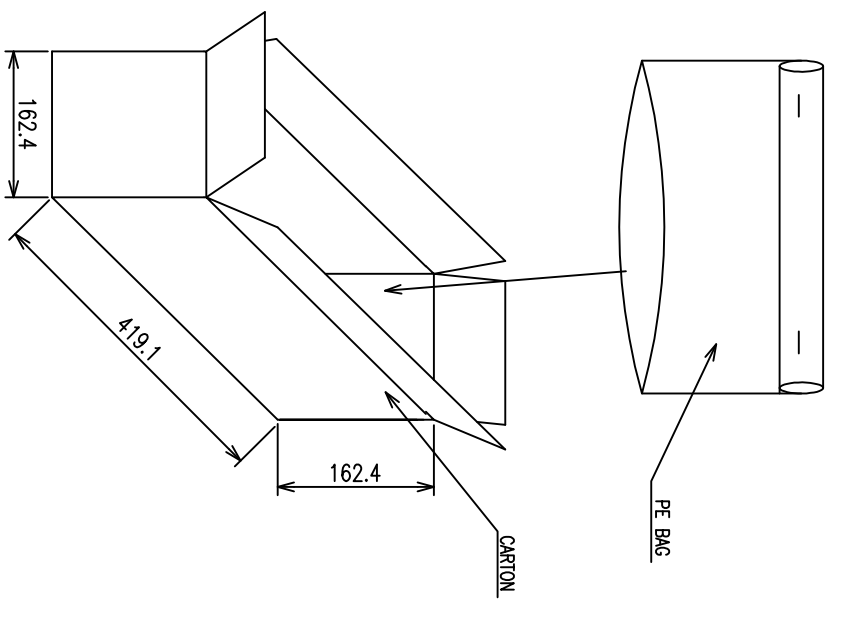
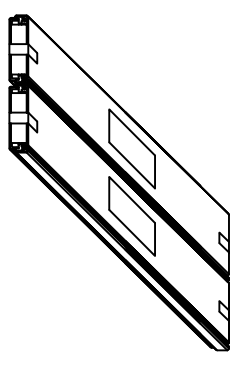
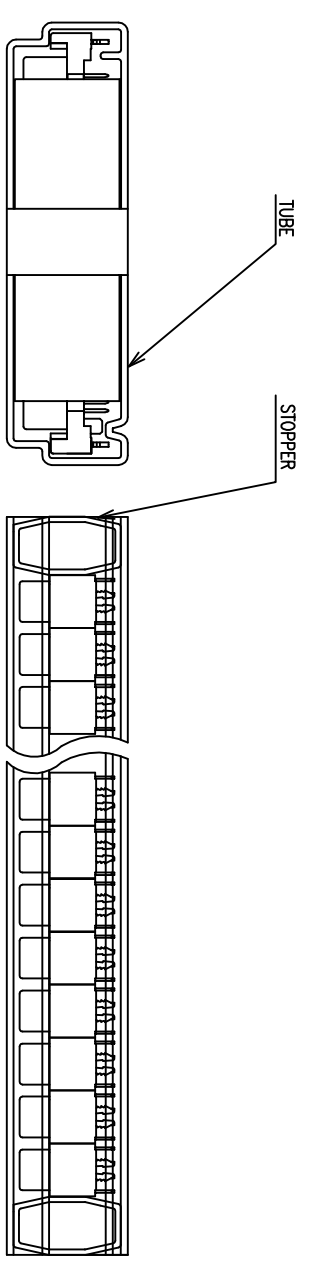
THIS DRAWING IS UNPUBLISHED.
 © COPYRIGHT - BY TYCO ELECTRONICS CORPORATION. ALL RIGHTS RESERVED.

RELEASED FOR PUBLICATION
 AUG. 2006.

Loc DW
 DIST

REVISIONS

P	LTR	DESCRIPTION	DATE	DMN	APVD
		SEE SHEET 1.			

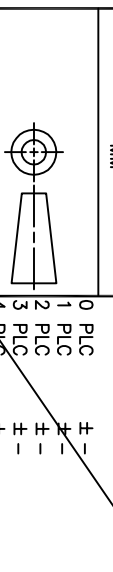


DMN	CHK	APVD	NAME	SIZE	CAGE CODE	DRAWING NO	RESTRICTED TO
			RECEPTACLE ASSEMBLY, VERTICAL, BOARD-TO-BOARD, CHAMP.050, SERIES 1,	A3	00779	1734101	

DMN	G.W./CARTON (KG)	N.W./CARTON (KG)	PCS/TUBE	TUBES/CARTON	QUANTITY/CARTON (PCS)	PART NUMBER	POS.
OBSOLETE	4.21	2.89	54	8	432	5-1734101-3	
						3-1734101-3	120
						5-1734101-2	
						3-1734101-2	
						1-1734101-2	
OBSOLETE	6.84	4.92	54	16	864	5-1734101-1	100
						1-1734101-1	
						3-1734101-0	
						5-1734101-0	
						1-1734101-0	
OBSOLETE	5.61	4.06	54	16	864	5-1734101-8	80
						3-1734101-8	
						1-1734101-8	
						4-1734101-8	
						6-1734101-8	
						1734101-8	
						4-1734101-7	
						6-1734101-7	68
						1734101-7	
						7-1734101-7	
						4-1734101-6	
						6-1734101-6	60
						1734101-6	
						2-1734101-7	
						5-1734101-7	
						3-1734101-7	
						1-1734101-7	
						4-1734101-5	50
						6-1734101-5	
						1734101-5	
						4-1734101-4	
						6-1734101-4	40
						1734101-4	
						4-1734101-3	
						6-1734101-3	30
						1734101-3	

THIS DRAWING IS A CONTROLLED DOCUMENT.

DIMENSIONS:	TOLERANCES UNLESS OTHERWISE SPECIFIED:
MM	0 PLC ± .1
	1 PLC ± .1
	2 PLC ± .1
	3 PLC ± .1
	4. PRC ± .1
	ANGLES ± .1
	FINISH ± .1



MATERIAL	FINISH

DMN	CHK	APVD	NAME	SIZE	CAGE CODE	DRAWING NO	RESTRICTED TO
			RECEPTACLE ASSEMBLY, VERTICAL, BOARD-TO-BOARD, CHAMP.050, SERIES 1,	A3	00779	1734101	



CUSTOMER DRAWING

SCALE 1:1 SHEET 3 OF 4 REV E2

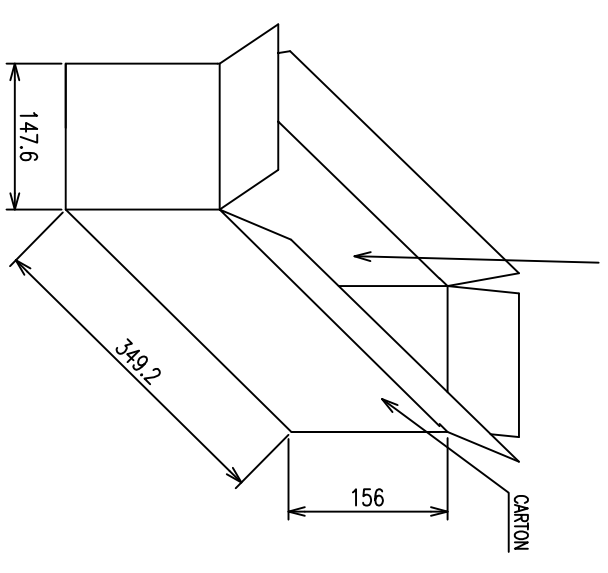
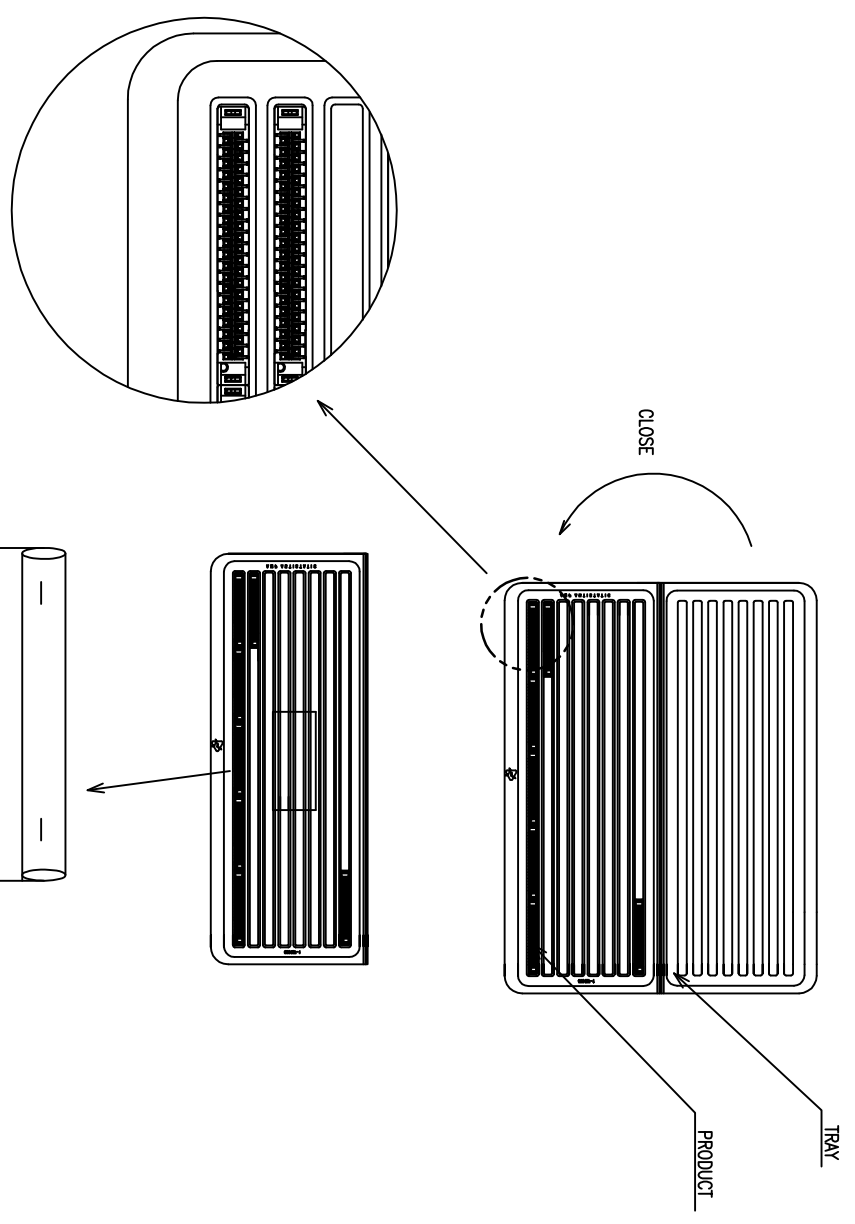
THIS DRAWING IS UNPUBLISHED.
 © COPYRIGHT - BY TYCO ELECTRONICS CORPORATION. ALL RIGHTS RESERVED.

RELEASED FOR PUBLICATION AUG. 2006.

Loc DW DIST

REVISIONS

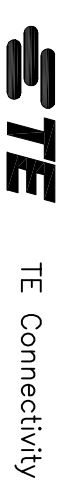
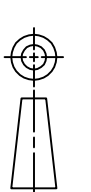
P	LTR	DESCRIPTION	DATE	DWN	APVD
		SEE SHEET 1.			



DESCRIPTION	G.W./CARTON (KG)	N.W./CARTON (KG)	PCS/TRAY	TRAYS/CARTON	QUANTITY/CARTON (PCS)	PART NUMBER	POS.
OBSOLETE	2.69	1.71	16	10	160	5-1734101-6 3-1734101-6 1-1734101-6 5-1734101-5 3-1734101-5 1-1734101-5	200
	2.37	1.39	16	10	160	5-1734101-4 3-1734101-4 1-1734101-4	160
OBSOLETE	2.48	1.50	32	10	320	4-1734101-9 6-1734101-9 1734101-9	80

THIS DRAWING IS A CONTROLLED DOCUMENT.

DIMENSIONS: MM	TOLERANCES UNLESS OTHERWISE SPECIFIED:
0 PLC	± .1
1 PLC	± .1
2 PLC	± .1
3 PLC	± .1
4. PRC ANGLES	± .1



RECEPTACLE ASSEMBLY,
 VERTICAL, BOARD-TO-BOARD,
 CHAMP.050, SERIES 1,

APVD	CHK	DWN	NAME	SIZE	CAGE CODE	DRAWING NO	RESTRICTED TO
				A3	00779	1734101	
PRODUCT SPEC			CUSTOMER DRAWING				
QUALIFICATION TEST REPORT			SCALE				
WEIGHT			SHEET 4 OF 4				
			REV E2				

X-ON Electronics

Largest Supplier of Electrical and Electronic Components

Click to view similar products for [Board to Board & Mezzanine Connectors](#) category:

Click to view products by [TE Connectivity](#) manufacturer:

Other Similar products are found below :

[10135583-642402LF](#) [89885-310LF](#) [589158040000018](#) [6-1393048-0](#) [68683-613](#) [MDF7-12DP-2.54DSA](#) [MDF7-18P-2.54DSA\(01\)](#) [MDF7-20DP-2.54DSA](#) [MDF7-26D-2.54DSA\(55\)](#) [MDF7-3P-2.54DSA\(01\)](#) [MDF7B-3P-2.54DSA\(55\)](#) [MDF7C-11P-2.54DSA\(55\)](#) [MDF7C-18P-2.54DSA\(55\)](#) [MDF7C-5P-2.54DSA\(01\)](#) [MDF7P-5P-2.54DSA\(55\)](#) [75234-0516](#) [FCN-230C068-11](#) [FCN-268F012-G/BD](#) [FCN-268F036-G/BD](#) [FCN-268M012-G/0D](#) [FCN-268M024-G/1D](#) [FCN-360C008-C](#) [FCN-360C040-C](#) [FCN-723J004/1](#) [MIS-048-01-F-D-DP-K](#) [832-10-034-10-001000](#) [93696-325LF](#) [11828-1FA](#) [AXK630345P](#) [18097-0013](#) [ICA-328STT](#) [2007042-2](#) [304400-2](#) [FCN-214Q030-G/0](#) [FCN-215Q040-G/0](#) [FCN-230C068-ESA](#) [FCN-234P048-G/0](#) [FCN-235D050-G/C](#) [FCN-360A3](#) [FCN-360C040-B](#) [210-93-314-41-105000](#) [2-22603-0](#) [379-064-521-202](#) [MDF7-12P-2.54DSA\(01\)](#) [MDF7-16P-2.54DS\(56\)](#) [MDF7-40DP-2.54DSA\(55\)](#) [MDF7-8P-2.54DSA\(55\)](#) [MDF7B-16P-2.54DSA\(55\)](#) [AXG720047](#) [5031084030](#)