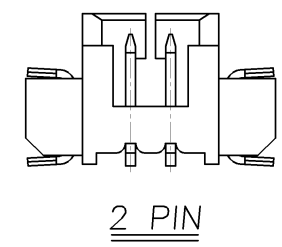
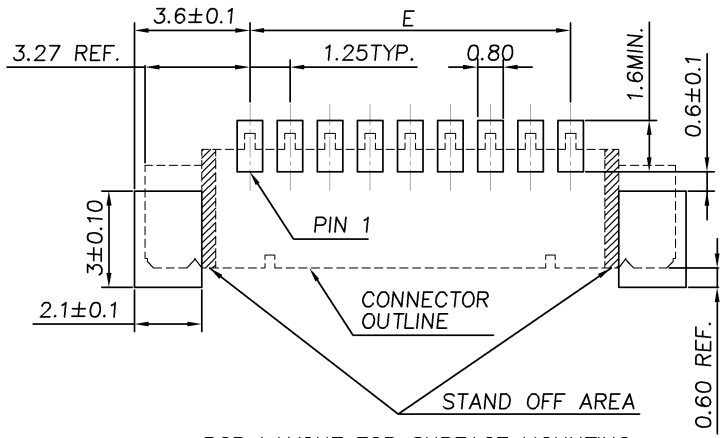
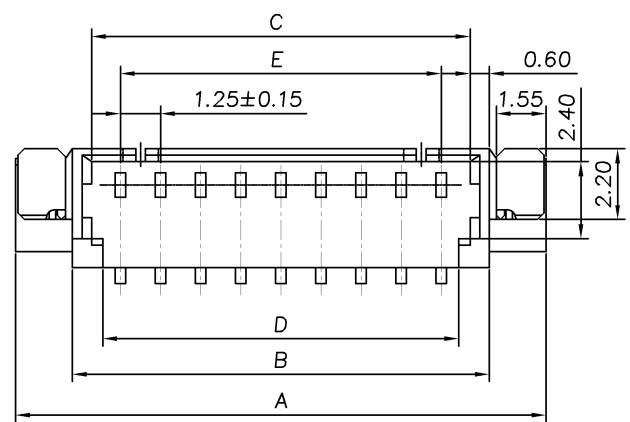


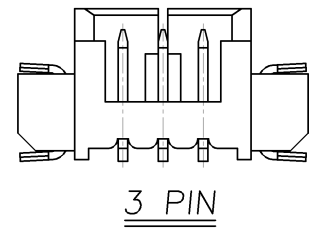
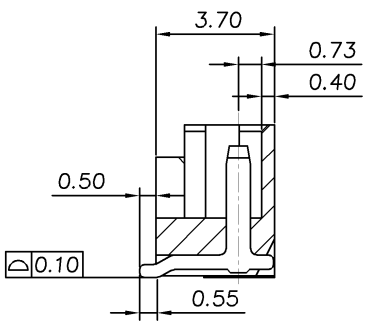
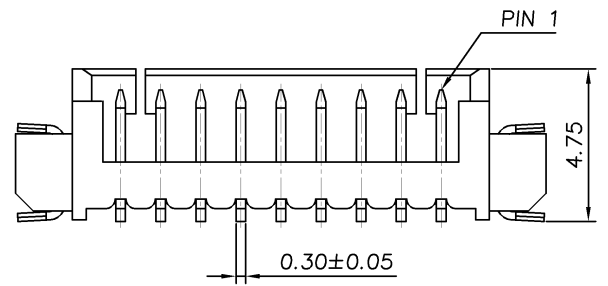
THIS DRAWING IS UNPUBLISHED. RELEASED FOR PUBLICATION AUG. 2006.

© COPYRIGHT BY TYCO ELECTRONICS CORPORATION. ALL RIGHTS RESERVED.

LOC	DW	DIST	REVISIONS		
P	LTR	DESCRIPTION	DATE	DWN	APVD
A		REVISED(ECR-11-005410)	15MAR'11	J.C.	W.K.



PCB LAYOUT FOR SURFACE MOUNTING (TOP VIEW) (TOLERANCE: ±0.05MM)



0.762um MIN. GOLD	17.50	18.60	19.30	20.50	24.04	15	4-1734260-5	
	16.25	17.35	18.05	19.25	22.79	14	4-1734260-4	
	15.00	16.10	16.80	18.00	21.54	13	4-1734260-3	
	13.75	14.85	15.55	16.75	20.29	12	4-1734260-2	
	12.50	13.60	14.30	15.50	19.04	11	4-1734260-1	
	11.25	12.35	13.05	14.25	17.79	10	4-1734260-0	
	10.00	11.10	11.80	13.00	16.54	9	3-1734260-9	
	8.75	9.85	10.55	11.75	15.29	8	3-1734260-8	
	7.50	8.60	9.30	10.50	14.04	7	3-1734260-7	
	6.25	7.35	8.05	9.25	12.79	6	3-1734260-6	
3.81um MIN. MATTE-TIN	5.00	6.10	6.80	8.00	11.54	5	3-1734260-5	
	3.75	4.85	5.55	6.75	10.29	4	3-1734260-4	
	2.50	3.60	4.30	5.50	9.04	3	3-1734260-3	
	1.25	2.35	3.05	4.25	7.79	2	3-1734260-2	
	17.50	18.60	19.30	20.50	24.04	15	1-1734260-5	
	16.25	17.35	18.05	19.25	22.79	14	1-1734260-4	
	15.00	16.10	16.80	18.00	21.54	13	1-1734260-3	
	13.75	14.85	15.55	16.75	20.29	12	1-1734260-2	
	12.50	13.60	14.30	15.50	19.04	11	1-1734260-1	
	11.25	12.35	13.05	14.25	17.79	10	1-1734260-0	
PLATING	10.00	11.10	11.80	13.00	16.54	9	1734260-9	
	8.75	9.85	10.55	11.75	15.29	8	1734260-8	
	7.50	8.60	9.30	10.50	14.04	7	1734260-7	
	6.25	7.35	8.05	9.25	12.79	6	1734260-6	
	5.00	6.10	6.80	8.00	11.54	5	1734260-5	
	3.75	4.85	5.55	6.75	10.29	4	1734260-4	
	2.50	3.60	4.30	5.50	9.04	3	1734260-3	
	1.25	2.35	3.05	4.25	7.79	2	1734260-2	
	DIMENSION						NO. OF CONTACTS	PART NUMBER

- NOTE:
- MATERIAL:
HOUSING: HIGH TEMP. THERMOPLASTIC, UL 94V-0, COLOR: NATURAL.
CONTACTS: PHOSPHOR BRONZE.
TAB: PHOSPHOR BRONZE.
 - FINISH:
CONTACTS: (SEE TABLE) OVER 50µ" MIN. NICKEL PLATED.
TAB: 100µ" MIN. MATTE-TIN OVER 50µ" MIN. NICKEL PLATED.
 - NO TE LOGO AND DATE CODE ON THE PRODUCT.
 - LOCKING WINDOW:
ONE PLACE FOR 2 AND 3 CONTACTS,
TWO PLACES FOR MORE THAN 3 CONTACTS.
 - RECOMMENDED PART NUMBER OF CABLE ASSEMBLY:
HOUSING: X-440146-X
CONTACT: 440147-X

THIS DRAWING IS A CONTROLLED DOCUMENT.

DIMENSIONS: MM

TOLERANCES UNLESS OTHERWISE SPECIFIED:

0 PLC	± -
1 PLC	± -
2 PLC	± 0.2
3 PLC	± -
4 PLC	± -
ANGLES	± -

MATERIAL: SEE NOTE

FINISH: SEE NOTE

DWN: A. WU 29APR2005

CHK: S. HOU 29APR2005

APVD: W.J. KE 29APR2005

PRODUCT SPEC: 108-57499

APPLICATION SPEC: -

WEIGHT: SEE TABLE

CUSTOMER DRAWING

NAME: -

SIZE: A3

CAGE CODE: 00779

DRAWING NO: C=1734260

RESTRICTED TO: -

SCALE: -

SHEET: 1 OF 2

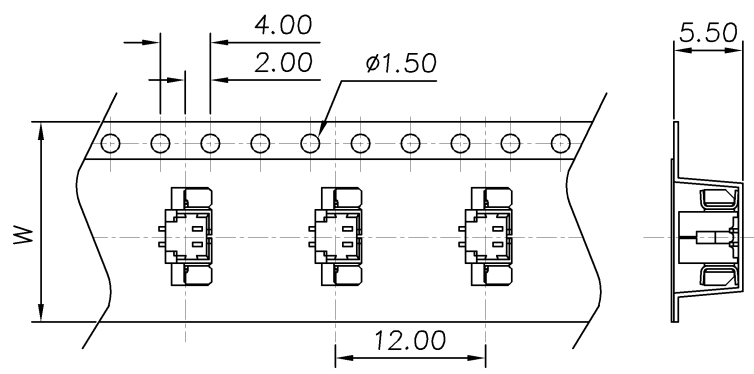
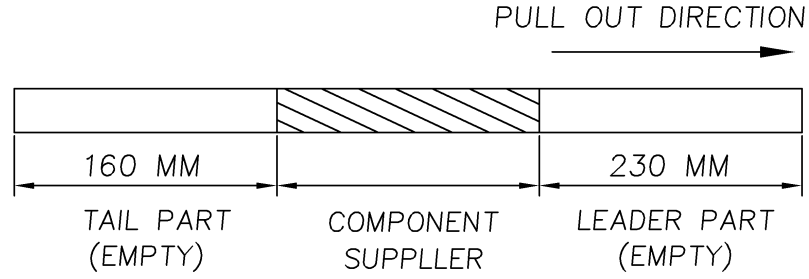
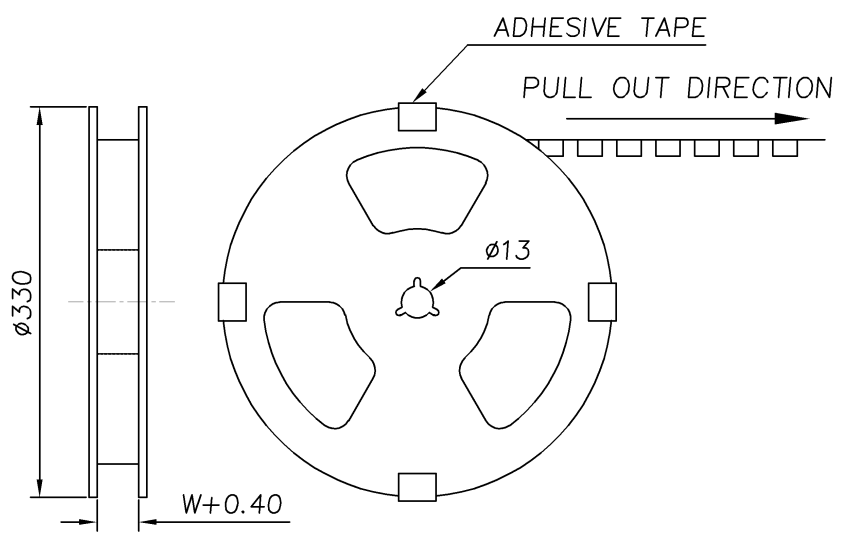
REV: A

STE TE Connectivity

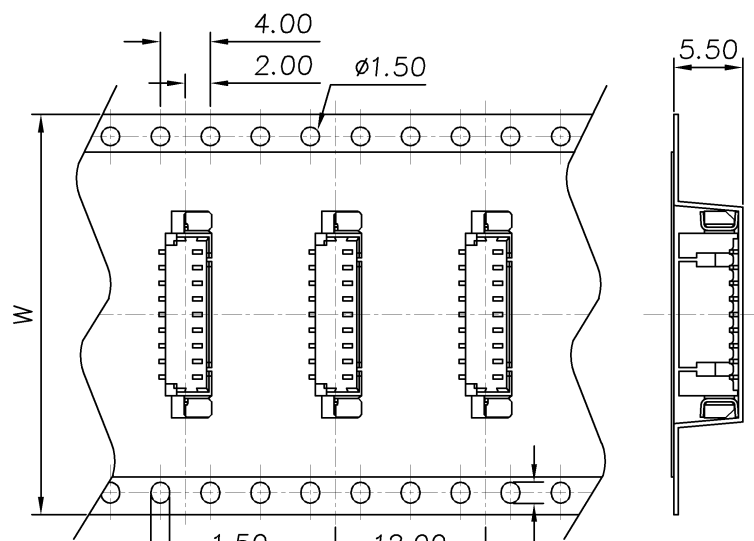
WIRE TO BOARD MALE HEADER, 1.25MM PITCH, SMT STRAIGHT TYPE.

THIS DRAWING IS UNPUBLISHED. RELEASED FOR PUBLICATION AUG ,2006.
 © COPYRIGHT BY TYCO ELECTRONICS CORPORATION. ALL RIGHTS RESERVED.

LOC DW	DIST	REVISIONS			
P	LTR	DESCRIPTION	DATE	DWN	APVD
		SEE SHEET 1.			



CARRIER FOR 2 TO 7 PIN



CARRIER FOR 8 TO 15PIN

NOTE:
 1. CARTON DIMENSIONS: 340 X 340 X 250

1000/REEL	4000	44.0	15	
			14	
			13	
	6000	32.0	12	
			11	
			10	
			9	
	7000	24.0	8	
			7	
			6	
			5	
	10000	16.0	4	
			3	
				2
	PACKING	QUANTITY	DIM W	NO. OF PIN

THIS DRAWING IS A CONTROLLED DOCUMENT.		DWN	STE TE Connectivity		
DIMENSIONS: MM		CHK			
TOLERANCES UNLESS OTHERWISE SPECIFIED:		APVD	NAME		
0 PLC ± -		PRODUCT SPEC	WIRE TO BOARD MALE HEADER, 1.25MM PITCH, SMT STRAIGHT TYPE.		
1 PLC ± -		APPLICATION SPEC	SIZE	CAGE CODE	DRAWING NO
2 PLC ± -		WEIGHT	A3	00779	C=1734260
3 PLC ± -		CUSTOMER DRAWING	RESTRICTED TO		
4 PLC ± -			SCALE		
ANGLES ± -			SHEET 2 OF 2		
MATERIAL			REV A		
FINISH					

X-ON Electronics

Largest Supplier of Electrical and Electronic Components

Click to view similar products for [Headers & Wire Housings](#) category:

Click to view products by [TE Connectivity](#) manufacturer:

Other Similar products are found below :

[892-18-020-10-001101](#) [58102-G61-06LF](#) [582553-1](#) [0009485154](#) [009176003701906](#) [0050291907](#) [LY20-4P-DT1-P1E-BR](#) [02.125.8002.8](#)
[609-3404](#) [61062-3](#) [61082-181009](#) [622-3653LF](#) [63453-116](#) [636-1030](#) [636-1427](#) [636-3427](#) [636-4007](#) [641938-9](#) [641991-4](#) [644827-2](#) [65817-](#)
[010LF](#) [65817-015LF](#) [65863-015LF](#) [66207-023LF](#) [67095-007LF](#) [67601157](#) [68645-018](#) [68648-049](#) [70.362.1628.0](#) [70-4210](#) [70-4226B](#) [70-](#)
[4853B](#) [707-5020](#) [707-5028](#) [71.350.2428.0](#) [71918-208LF](#) [71961-016LF](#) [733-134](#) [733-162](#) [754199-000](#) [760-3052](#) [79531-3000](#) [FCN-](#)
[360C032-B](#) [FCN-367T-T012/H](#) [FCN-723D010/2](#) [80.063.4001.1](#) [800-90-010-10-002000](#) [801-43-002-10-013000](#) [801-43-006-10-002000](#)
[801-93-011-10-001000](#)