

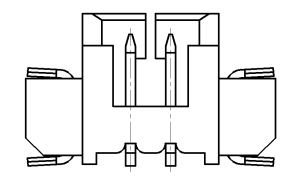
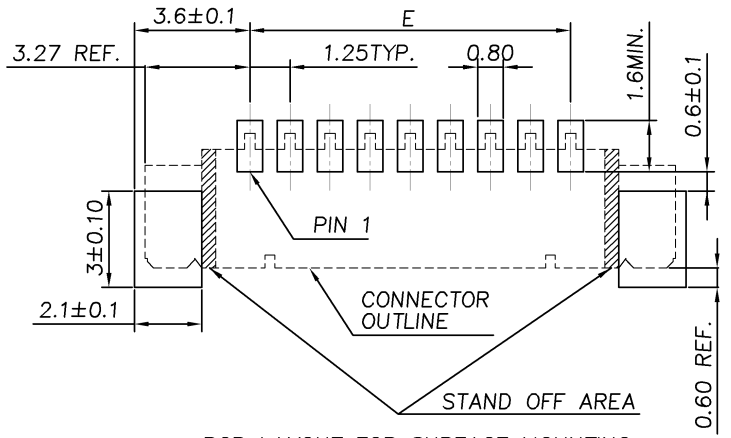
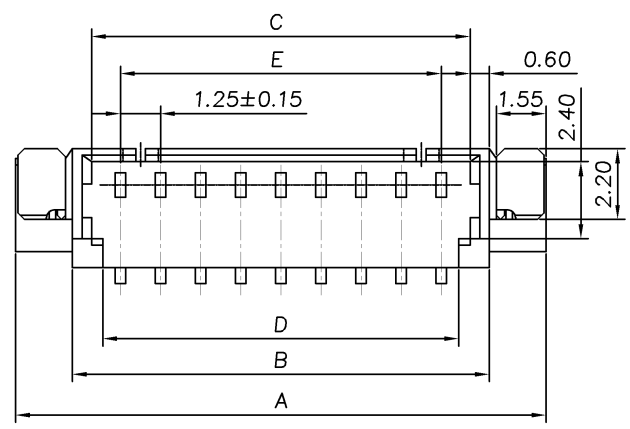
THIS DRAWING IS UNPUBLISHED. RELEASED FOR PUBLICATION AUG. 2006.

© COPYRIGHT BY TYCO ELECTRONICS CORPORATION. ALL RIGHTS RESERVED.

LOC DW DIST

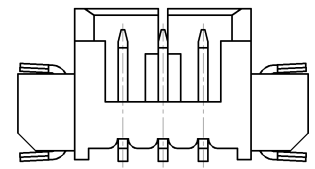
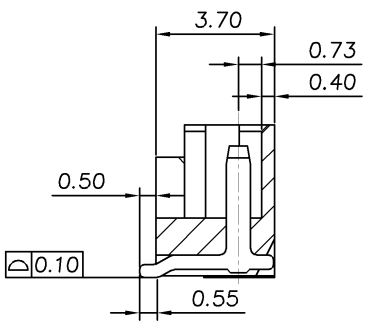
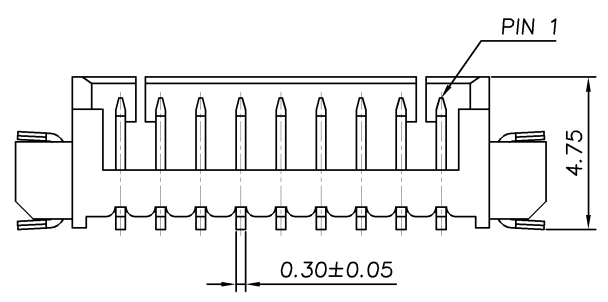
REVISIONS

| P | LTR | DESCRIPTION | DATE | DWN | APVD |
|---|-----|------------------------|----------|------|------|
| A | | REVISED(ECR-11-005410) | 15MAR'11 | J.C. | W.K. |



2 PIN

PCB LAYOUT FOR SURFACE MOUNTING (TOP VIEW) (TOLERANCE: ±0.05MM)



3 PIN

| PLATING | DIMENSION | | | | | NO. OF CONTACTS | PART NUMBER |
|-------------------|-----------------------|-------|-------|-------|-------|-----------------|-------------|
| | E | D | C | B | A | | |
| 0.762um MIN. GOLD | 17.50 | 18.60 | 19.30 | 20.50 | 24.04 | 15 | 4-1734260-5 |
| | 16.25 | 17.35 | 18.05 | 19.25 | 22.79 | 14 | 4-1734260-4 |
| | 15.00 | 16.10 | 16.80 | 18.00 | 21.54 | 13 | 4-1734260-3 |
| | 13.75 | 14.85 | 15.55 | 16.75 | 20.29 | 12 | 4-1734260-2 |
| | 12.50 | 13.60 | 14.30 | 15.50 | 19.04 | 11 | 4-1734260-1 |
| | 11.25 | 12.35 | 13.05 | 14.25 | 17.79 | 10 | 4-1734260-0 |
| | 10.00 | 11.10 | 11.80 | 13.00 | 16.54 | 9 | 3-1734260-9 |
| | 8.75 | 9.85 | 10.55 | 11.75 | 15.29 | 8 | 3-1734260-8 |
| | 7.50 | 8.60 | 9.30 | 10.50 | 14.04 | 7 | 3-1734260-7 |
| | 6.25 | 7.35 | 8.05 | 9.25 | 12.79 | 6 | 3-1734260-6 |
| | 5.00 | 6.10 | 6.80 | 8.00 | 11.54 | 5 | 3-1734260-5 |
| | 3.75 | 4.85 | 5.55 | 6.75 | 10.29 | 4 | 3-1734260-4 |
| | 2.50 | 3.60 | 4.30 | 5.50 | 9.04 | 3 | 3-1734260-3 |
| | 1.25 | 2.35 | 3.05 | 4.25 | 7.79 | 2 | 3-1734260-2 |
| | 3.81um MIN. MATTE-TIN | 17.50 | 18.60 | 19.30 | 20.50 | 24.04 | 15 |
| 16.25 | | 17.35 | 18.05 | 19.25 | 22.79 | 14 | 1-1734260-4 |
| 15.00 | | 16.10 | 16.80 | 18.00 | 21.54 | 13 | 1-1734260-3 |
| 13.75 | | 14.85 | 15.55 | 16.75 | 20.29 | 12 | 1-1734260-2 |
| 12.50 | | 13.60 | 14.30 | 15.50 | 19.04 | 11 | 1-1734260-1 |
| 11.25 | | 12.35 | 13.05 | 14.25 | 17.79 | 10 | 1-1734260-0 |
| 10.00 | | 11.10 | 11.80 | 13.00 | 16.54 | 9 | 1734260-9 |
| 8.75 | | 9.85 | 10.55 | 11.75 | 15.29 | 8 | 1734260-8 |
| 7.50 | | 8.60 | 9.30 | 10.50 | 14.04 | 7 | 1734260-7 |
| 6.25 | | 7.35 | 8.05 | 9.25 | 12.79 | 6 | 1734260-6 |
| 5.00 | | 6.10 | 6.80 | 8.00 | 11.54 | 5 | 1734260-5 |
| 3.75 | | 4.85 | 5.55 | 6.75 | 10.29 | 4 | 1734260-4 |
| 2.50 | | 3.60 | 4.30 | 5.50 | 9.04 | 3 | 1734260-3 |
| 1.25 | | 2.35 | 3.05 | 4.25 | 7.79 | 2 | 1734260-2 |

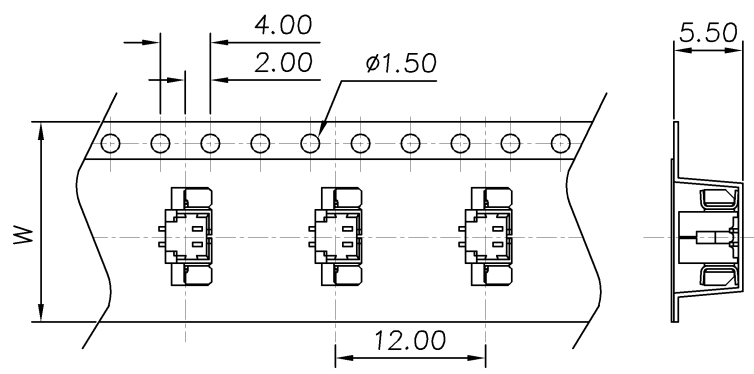
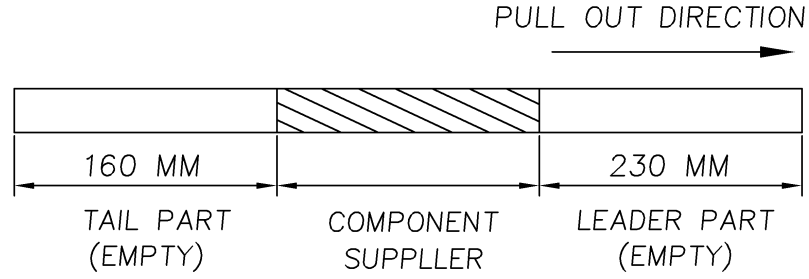
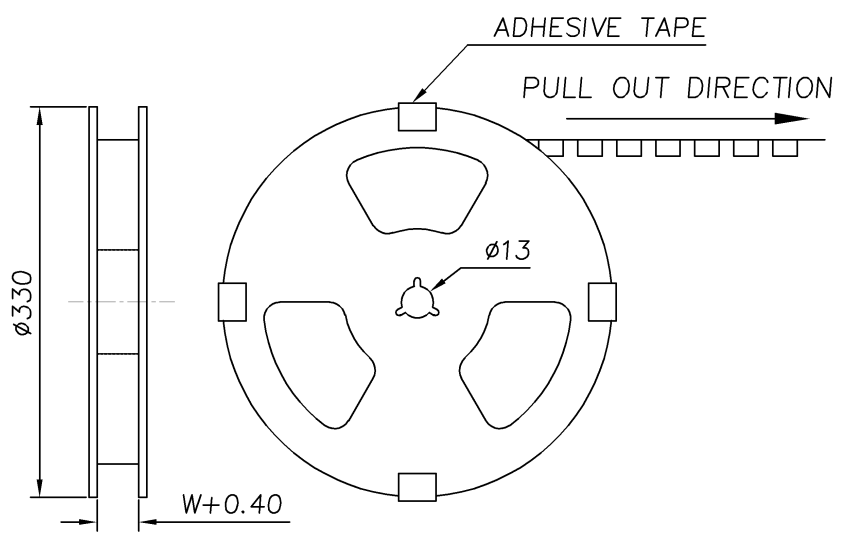
NOTE:

- MATERIAL:
HOUSING: HIGH TEMP. THERMOPLASTIC, UL 94V-0, COLOR: NATURAL.
CONTACTS: PHOSPHOR BRONZE.
TAB: PHOSPHOR BRONZE.
- FINISH:
CONTACTS: (SEE TABLE) OVER 50µ" MIN. NICKEL PLATED.
TAB: 100µ" MIN. MATTE-TIN OVER 50µ" MIN. NICKEL PLATED.
- NO TE LOGO AND DATE CODE ON THE PRODUCT.
- LOCKING WINDOW:
ONE PLACE FOR 2 AND 3 CONTACTS,
TWO PLACES FOR MORE THAN 3 CONTACTS.
- RECOMMENDED PART NUMBER OF CABLE ASSEMBLY:
HOUSING: X-440146-X
CONTACT: 440147-X

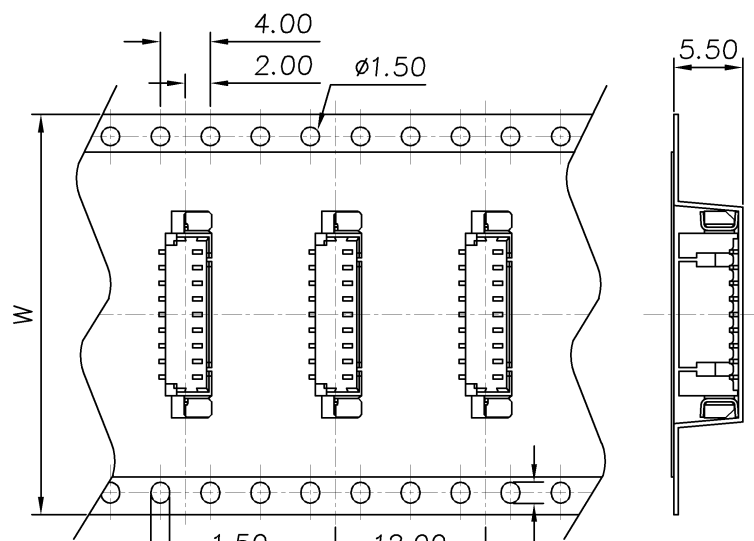
| | | | | | | | | | | | | | | | | | |
|--|-------|------------------------------|------------------|--------------------|-------------------------|---------------|-------|-------|-----|-------|-----|--------|-----|---------------------------|--|--|--|
| THIS DRAWING IS A CONTROLLED DOCUMENT. | | DWN A. WU 29APR2005 | TE Connectivity | | | | | | | | | | | | | | |
| DIMENSIONS: MM | | CHK S. HOU 29APR2005 | | | | | | | | | | | | | | | |
| TOLERANCES UNLESS OTHERWISE SPECIFIED: | | APVD W.J. KE 29APR2005 | NAME | | | | | | | | | | | | | | |
| <table border="1"> <tr><td>0 PLC</td><td>± -</td></tr> <tr><td>1 PLC</td><td>± -</td></tr> <tr><td>2 PLC</td><td>± 0.2</td></tr> <tr><td>3 PLC</td><td>± -</td></tr> <tr><td>4 PLC</td><td>± -</td></tr> <tr><td>ANGLES</td><td>± -</td></tr> </table> | | 0 PLC | ± - | 1 PLC | ± - | 2 PLC | ± 0.2 | 3 PLC | ± - | 4 PLC | ± - | ANGLES | ± - | PRODUCT SPEC 108-57499 | WIRE TO BOARD MALE HEADER, 1.25MM PITCH, SMT STRAIGHT TYPE. | | |
| 0 PLC | ± - | | | | | | | | | | | | | | | | |
| 1 PLC | ± - | | | | | | | | | | | | | | | | |
| 2 PLC | ± 0.2 | | | | | | | | | | | | | | | | |
| 3 PLC | ± - | | | | | | | | | | | | | | | | |
| 4 PLC | ± - | | | | | | | | | | | | | | | | |
| ANGLES | ± - | | | | | | | | | | | | | | | | |
| MATERIAL SEE NOTE | | APPLICATION SPEC | SIZE A3 | CAGE CODE 00779 | DRAWING NO C=1734260 | RESTRICTED TO | | | | | | | | | | | |
| FINISH SEE NOTE | | WEIGHT SEE TABLE | CUSTOMER DRAWING | | SCALE | SHEET 1 OF 2 | | | | | | | | | | | |
| | | | | | | REV A | | | | | | | | | | | |

THIS DRAWING IS UNPUBLISHED. RELEASED FOR PUBLICATION AUG ,2006.
 © COPYRIGHT BY TYCO ELECTRONICS CORPORATION. ALL RIGHTS RESERVED.

| | | | | | |
|-----------|------|--------------|------|-----|------|
| LOC DW | DIST | REVISIONS | | | |
| P | LTR | DESCRIPTION | DATE | DWN | APVD |
| | | SEE SHEET 1. | | | |



CARRIER FOR 2 TO 7 PIN



CARRIER FOR 8 TO 15PIN

NOTE:
 1. CARTON DIMENSIONS: 340 X 340 X 250

| | | | | |
|-----------|---------|----------|-------|------------|
| 1000/REEL | 4000 | 44.0 | 15 | |
| | | | 14 | |
| | | | 13 | |
| | 6000 | 32.0 | 12 | |
| | | | 11 | |
| | | | 10 | |
| | | | 9 | |
| | 7000 | 24.0 | 8 | |
| | | | 7 | |
| | | | 6 | |
| | | | 5 | |
| | 10000 | 16.0 | 4 | |
| | | | 3 | |
| | | | | 2 |
| | PACKING | QUANTITY | DIM W | NO. OF PIN |

| | | | | | |
|---|--------|------------------|--|-----------|--------------|
| THIS DRAWING IS A CONTROLLED DOCUMENT. | | DWN | STE TE Connectivity | | |
| DIMENSIONS: MM | | CHK | | | |
| TOLERANCES UNLESS OTHERWISE SPECIFIED: | | APVD | NAME | | |
| 0 PLC ± - 1 PLC ± - 2 PLC ± - 3 PLC ± - 4 PLC ± - ANGLES ± - | | PRODUCT SPEC | WIRE TO BOARD MALE HEADER, 1.25MM PITCH, SMT STRAIGHT TYPE. | | |
| | | APPLICATION SPEC | SIZE | CAGE CODE | DRAWING NO |
| MATERIAL | FINISH | WEIGHT | A3 | 00779 | C=1734260 |
| CUSTOMER DRAWING | | | RESTRICTED TO | SCALE | SHEET 2 OF 2 |
| | | | | | REV A |

X-ON Electronics

Largest Supplier of Electrical and Electronic Components

Click to view similar products for [Headers & Wire Housings](#) category:

Click to view products by [TE Connectivity](#) manufacturer:

Other Similar products are found below :

[892-18-020-10-001101](#) [58102-G61-06LF](#) [582553-1](#) [0009485154](#) [009176003701906](#) [0050291907](#) [LY20-4P-DT1-P1E-BR](#) [02.125.8002.8](#)
[609-3404](#) [61062-3](#) [61082-181009](#) [622-3653LF](#) [63453-116](#) [636-1030](#) [636-1427](#) [636-3427](#) [636-4007](#) [641938-9](#) [641991-4](#) [644827-2](#) [65817-](#)
[010LF](#) [65817-015LF](#) [65863-015LF](#) [66207-023LF](#) [67095-007LF](#) [67601157](#) [68645-018](#) [68648-049](#) [70.362.1628.0](#) [70-4210](#) [70-4226B](#) [70-](#)
[4853B](#) [707-5020](#) [707-5028](#) [71.350.2428.0](#) [71918-208LF](#) [71961-016LF](#) [733-134](#) [733-162](#) [754199-000](#) [760-3052](#) [79531-3000](#) [FCN-](#)
[360C032-B](#) [FCN-367T-T012/H](#) [FCN-723D010/2](#) [80.063.4001.1](#) [800-90-010-10-002000](#) [801-43-002-10-013000](#) [801-43-006-10-002000](#)
[801-93-011-10-001000](#)