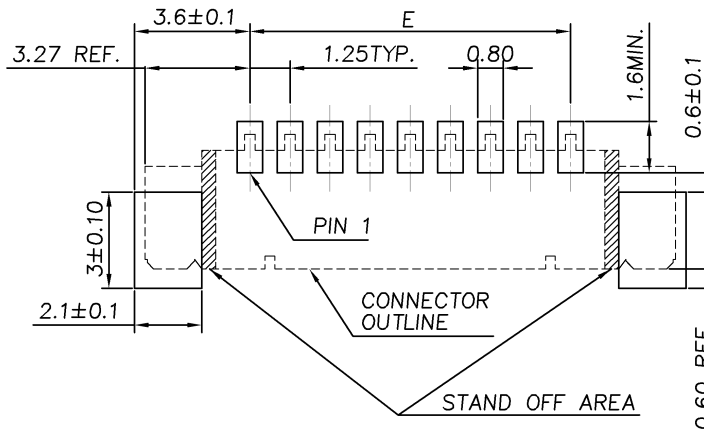
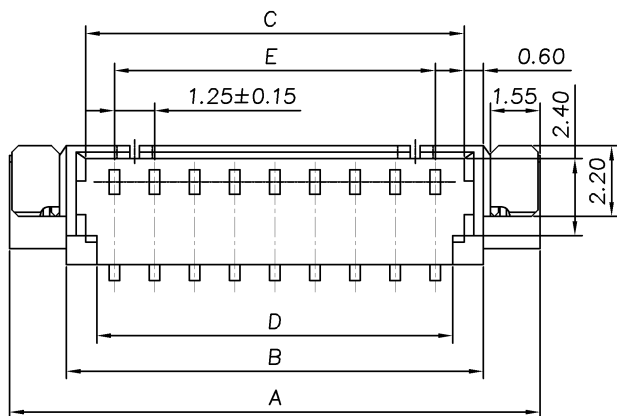
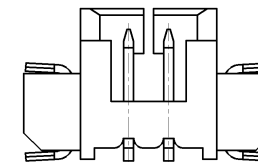


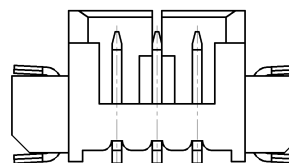
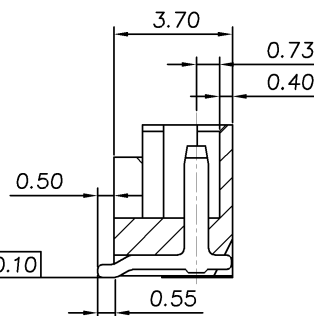
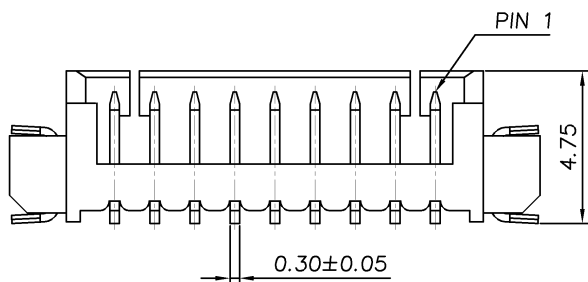
| P | LTR | DESCRIPTION            | DATE     | DWN  | APVD |
|---|-----|------------------------|----------|------|------|
| A |     | REVISED(ECR-11-005410) | 15MAR'11 | J.C. | W.K. |



PCB LAYOUT FOR SURFACE MOUNTING  
(TOP VIEW) (TOLERANCE: ±0.05MM)



2 PIN



3 PIN

| PLATING           | DIMENSION             |       |       |       |       | NO. OF CONTACTS | PART NUMBER |
|-------------------|-----------------------|-------|-------|-------|-------|-----------------|-------------|
|                   | E                     | D     | C     | B     | A     |                 |             |
| 0.762um MIN. GOLD | 17.50                 | 18.60 | 19.30 | 20.50 | 24.04 | 15              | 4-1734260-5 |
|                   | 16.25                 | 17.35 | 18.05 | 19.25 | 22.79 | 14              | 4-1734260-4 |
|                   | 15.00                 | 16.10 | 16.80 | 18.00 | 21.54 | 13              | 4-1734260-3 |
|                   | 13.75                 | 14.85 | 15.55 | 16.75 | 20.29 | 12              | 4-1734260-2 |
|                   | 12.50                 | 13.60 | 14.30 | 15.50 | 19.04 | 11              | 4-1734260-1 |
|                   | 11.25                 | 12.35 | 13.05 | 14.25 | 17.79 | 10              | 4-1734260-0 |
|                   | 10.00                 | 11.10 | 11.80 | 13.00 | 16.54 | 9               | 3-1734260-9 |
|                   | 8.75                  | 9.85  | 10.55 | 11.75 | 15.29 | 8               | 3-1734260-8 |
|                   | 7.50                  | 8.60  | 9.30  | 10.50 | 14.04 | 7               | 3-1734260-7 |
|                   | 6.25                  | 7.35  | 8.05  | 9.25  | 12.79 | 6               | 3-1734260-6 |
|                   | 5.00                  | 6.10  | 6.80  | 8.00  | 11.54 | 5               | 3-1734260-5 |
|                   | 3.75                  | 4.85  | 5.55  | 6.75  | 10.29 | 4               | 3-1734260-4 |
|                   | 2.50                  | 3.60  | 4.30  | 5.50  | 9.04  | 3               | 3-1734260-3 |
|                   | 1.25                  | 2.35  | 3.05  | 4.25  | 7.79  | 2               | 3-1734260-2 |
|                   | 3.81um MIN. MATTE-TIN | 17.50 | 18.60 | 19.30 | 20.50 | 24.04           | 15          |
| 16.25             |                       | 17.35 | 18.05 | 19.25 | 22.79 | 14              | 1-1734260-4 |
| 15.00             |                       | 16.10 | 16.80 | 18.00 | 21.54 | 13              | 1-1734260-3 |
| 13.75             |                       | 14.85 | 15.55 | 16.75 | 20.29 | 12              | 1-1734260-2 |
| 12.50             |                       | 13.60 | 14.30 | 15.50 | 19.04 | 11              | 1-1734260-1 |
| 11.25             |                       | 12.35 | 13.05 | 14.25 | 17.79 | 10              | 1-1734260-0 |
| 10.00             |                       | 11.10 | 11.80 | 13.00 | 16.54 | 9               | 1734260-9   |
| 8.75              |                       | 9.85  | 10.55 | 11.75 | 15.29 | 8               | 1734260-8   |
| 7.50              |                       | 8.60  | 9.30  | 10.50 | 14.04 | 7               | 1734260-7   |
| 6.25              |                       | 7.35  | 8.05  | 9.25  | 12.79 | 6               | 1734260-6   |
| 5.00              |                       | 6.10  | 6.80  | 8.00  | 11.54 | 5               | 1734260-5   |
| 3.75              |                       | 4.85  | 5.55  | 6.75  | 10.29 | 4               | 1734260-4   |
| 2.50              |                       | 3.60  | 4.30  | 5.50  | 9.04  | 3               | 1734260-3   |
| 1.25              |                       | 2.35  | 3.05  | 4.25  | 7.79  | 2               | 1734260-2   |

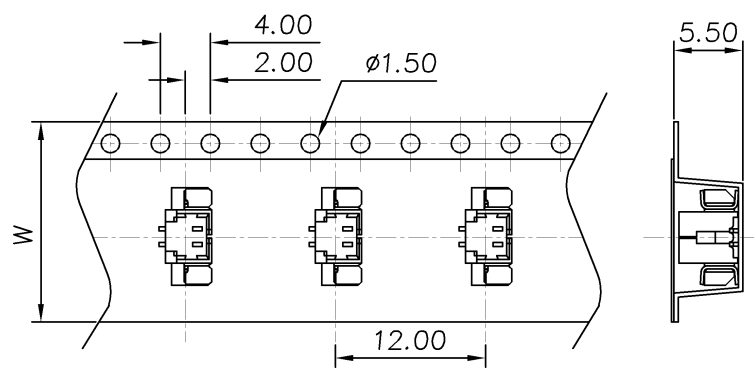
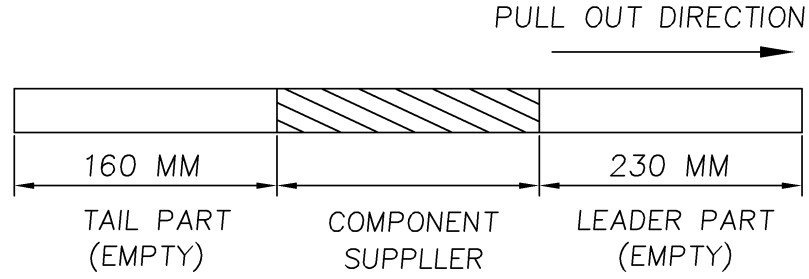
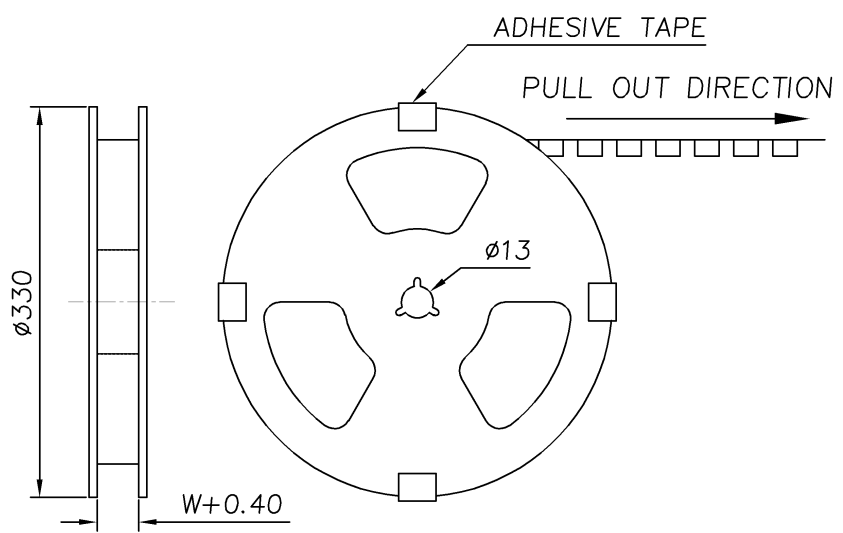
NOTE:

- MATERIAL:  
HOUSING: HIGH TEMP. THERMOPLASTIC, UL 94V-0, COLOR: NATURAL.  
CONTACTS: PHOSPHOR BRONZE.  
TAB: PHOSPHOR BRONZE.
- FINISH:  
CONTACTS: (SEE TABLE) OVER 50µ" MIN. NICKEL PLATED.  
TAB: 100µ" MIN. MATTE-TIN OVER 50µ" MIN. NICKEL PLATED.
- NO TE LOGO AND DATE CODE ON THE PRODUCT.
- LOCKING WINDOW:  
ONE PLACE FOR 2 AND 3 CONTACTS,  
TWO PLACES FOR MORE THAN 3 CONTACTS.
- RECOMMENDED PART NUMBER OF CABLE ASSEMBLY:  
HOUSING: X-440146-X  
CONTACT: 440147-X

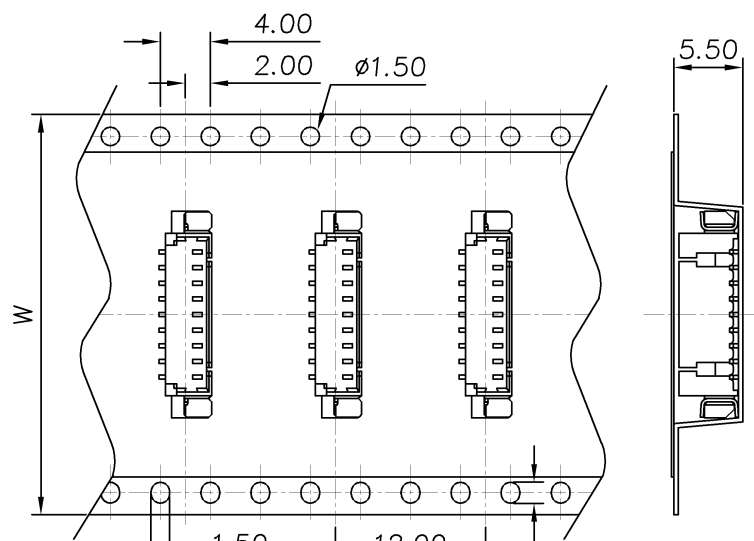
|  |       |                              |                  |                    |                         |               |       |       |     |       |     |        |     |                           |  |  |  |
|--|-------|------------------------------|------------------|--------------------|-------------------------|---------------|-------|-------|-----|-------|-----|--------|-----|---------------------------|--|--|--|
| THIS DRAWING IS A CONTROLLED DOCUMENT.   |       | DWN<br>A. WU<br>29APR2005    | TE Connectivity  |                    |                         |               |       |       |     |       |     |        |     |                           |  |  |  |
| DIMENSIONS:<br>MM  |       | CHK<br>S. HOU<br>29APR2005   |                  |                    |                         |               |       |       |     |       |     |        |     |                           |  |  |  |
| TOLERANCES UNLESS OTHERWISE SPECIFIED:   |       | APVD<br>W.J. KE<br>29APR2005 | NAME             |                    |                         |               |       |       |     |       |     |        |     |                           |  |  |  |
| <table border="1"> <tr> <td>0 PLC</td> <td>± -</td> </tr> <tr> <td>1 PLC</td> <td>± -</td> </tr> <tr> <td>2 PLC</td> <td>± 0.2</td> </tr> <tr> <td>3 PLC</td> <td>± -</td> </tr> <tr> <td>4 PLC</td> <td>± -</td> </tr> <tr> <td>ANGLES</td> <td>± -</td> </tr> </table> |       | 0 PLC                        | ± -              | 1 PLC              | ± -                     | 2 PLC         | ± 0.2 | 3 PLC | ± - | 4 PLC | ± - | ANGLES | ± - | PRODUCT SPEC<br>108-57499 | WIRE TO BOARD MALE HEADER,<br>1.25MM PITCH, SMT STRAIGHT TYPE. |  |  |
| 0 PLC  | ± -   |                              |                  |                    |                         |               |       |       |     |       |     |        |     |                           |  |  |  |
| 1 PLC  | ± -   |                              |                  |                    |                         |               |       |       |     |       |     |        |     |                           |  |  |  |
| 2 PLC  | ± 0.2 |                              |                  |                    |                         |               |       |       |     |       |     |        |     |                           |  |  |  |
| 3 PLC  | ± -   |                              |                  |                    |                         |               |       |       |     |       |     |        |     |                           |  |  |  |
| 4 PLC  | ± -   |                              |                  |                    |                         |               |       |       |     |       |     |        |     |                           |  |  |  |
| ANGLES   | ± -   |                              |                  |                    |                         |               |       |       |     |       |     |        |     |                           |  |  |  |
| MATERIAL<br>SEE NOTE   |       | APPLICATION SPEC             | SIZE<br>A3       | CAGE CODE<br>00779 | DRAWING NO<br>C-1734260 | RESTRICTED TO |       |       |     |       |     |        |     |                           |  |  |  |
| FINISH<br>SEE NOTE   |       | WEIGHT<br>SEE TABLE          | CUSTOMER DRAWING |                    | SCALE                   | SHEET 1 OF 2  |       |       |     |       |     |        |     |                           |  |  |  |
|  |       |                              |                  |                    |                         | REV A         |       |       |     |       |     |        |     |                           |  |  |  |

THIS DRAWING IS UNPUBLISHED. RELEASED FOR PUBLICATION AUG ,2006.  
 © COPYRIGHT BY TYCO ELECTRONICS CORPORATION. ALL RIGHTS RESERVED.

| LOC |  | DIST |     | REVISIONS    |      |     |      |
|-----|--|------|-----|--------------|------|-----|------|
| DW  |  | P    | LTR | DESCRIPTION  | DATE | DWN | APVD |
|     |  |      |     | SEE SHEET 1. |      |     |      |



CARRIER FOR 2 TO 7 PIN



CARRIER FOR 8 TO 15PIN

| 1000/REEL | 4000    | 44.0     | 15    |            |
|-----------|---------|----------|-------|------------|
|           |         |          | 14    |            |
|           |         |          | 13    |            |
|           | 6000    | 32.0     | 12    |            |
|           |         |          | 11    |            |
|           |         |          | 10    |            |
|           |         |          | 9     |            |
|           | 7000    | 24.0     | 8     |            |
|           |         |          | 7     |            |
|           |         |          | 6     |            |
|           |         |          | 5     |            |
|           | 10000   | 16.0     | 4     |            |
|           |         |          | 3     |            |
|           |         |          |       | 2          |
|           | PACKING | QUANTITY | DIM W | NO. OF PIN |

NOTE:  
 1. CARTON DIMENSIONS: 340 X 340 X 250

|   |        |                  |  |           |            |
|---|--------|------------------|--|-----------|------------|
| THIS DRAWING IS A CONTROLLED DOCUMENT.  |        | DWN              | <b>STE</b> TE Connectivity                                     |           |            |
| DIMENSIONS: MM  |        | CHK              |  |           |            |
| TOLERANCES UNLESS OTHERWISE SPECIFIED:  |        | APVD             | NAME   |           |            |
| <br>0 PLC ± -<br>1 PLC ± -<br>2 PLC ± -<br>3 PLC ± -<br>4 PLC ± -<br>ANGLES ± - |        | PRODUCT SPEC     | WIRE TO BOARD MALE HEADER,<br>1.25MM PITCH, SMT STRAIGHT TYPE. |           |            |
|   |        | APPLICATION SPEC | SIZE   | CAGE CODE | DRAWING NO |
| MATERIAL  | FINISH | WEIGHT           | A3   | 00779     | C=1734260  |
| CUSTOMER DRAWING  |        |                  | RESTRICTED TO  |           |            |
|   |        | SCALE            | SHEET  | REV       |            |
|   |        |                  | 2 OF 2   | A         |            |

## X-ON Electronics

Largest Supplier of Electrical and Electronic Components

*Click to view similar products for [Headers & Wire Housings](#) category:*

*Click to view products by [TE Connectivity](#) manufacturer:*

Other Similar products are found below :

[95000-104TRLF](#) [10135584-644402LF](#) [DF62W-EP2022PCA](#) [95000-106TRLF](#) [DF62W-2022SCA](#) [DF62W-EP2022PC](#) [2203348](#) [DF62W-2022SC](#) [1084018](#) [1029039](#) [1084017](#) [802-10-012-10-002000](#) [1112640](#) [1112639](#) [000-34000](#) [0009482033](#) [0009507031](#) [57102-S06-03LF](#) [57202-S52-04LF](#) [PCN6-15S-2.5E](#) [0039019024](#) [58102-G61-06LF](#) [582553-1](#) [0009508121](#) [0050291907](#) [018731A](#) [LY20-4P-DT1-P1E-BR](#) [02.125.8002.8](#) [60101931](#) [60598-1 \(Cut Strip\)](#) [M1625-3R/100](#) [61062-3](#) [61082-181009](#) [636-1427](#) [638009-1](#) [641938-9](#) [641991-4](#) [644168-1](#) [647662-1](#) [65039-019ELF](#) [65817-002LF](#) [65817-015LF](#) [65863-015LF](#) [66207-023LF](#) [67016-026LF](#) [67046-001LF](#) [67095-007LF](#) [68002-116](#) [68016-236H](#) [68648-049](#)