

THIS DRAWING IS UNPUBLISHED.

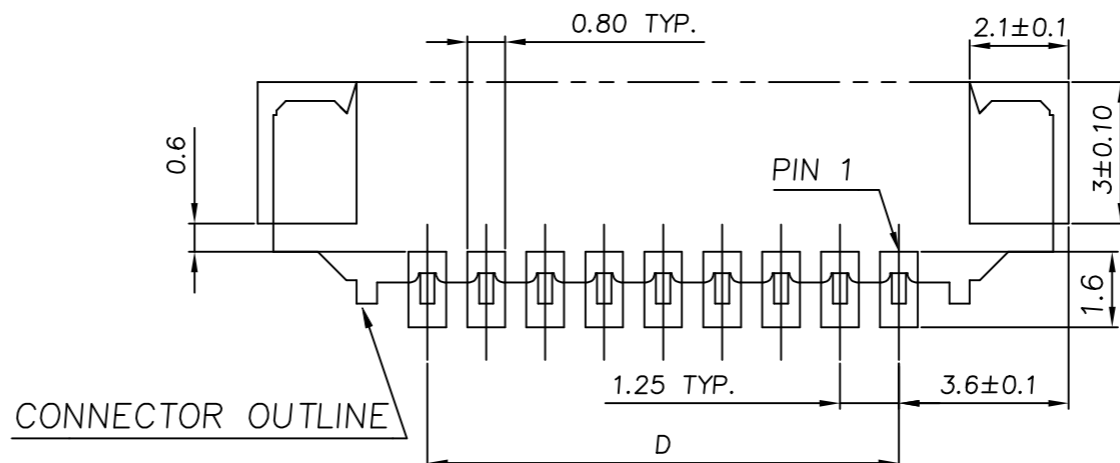
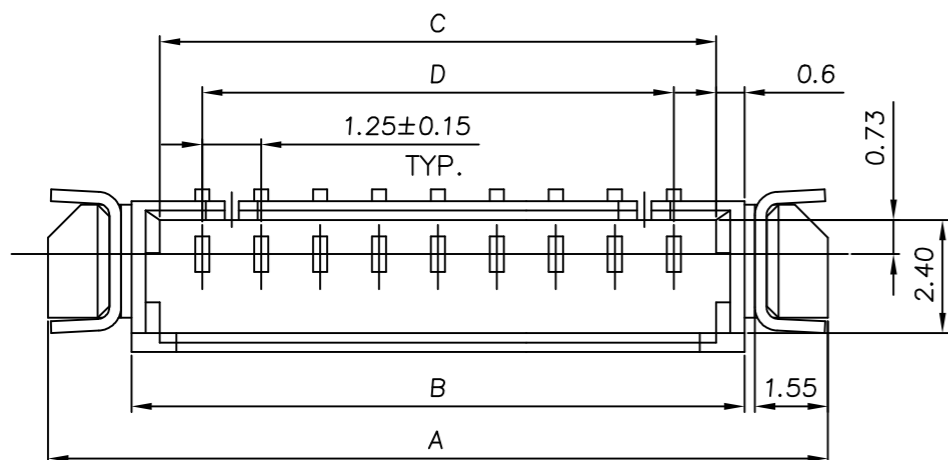
RELEASED FOR PUBLICATION

© COPYRIGHT - TE Connectivity Ltd.

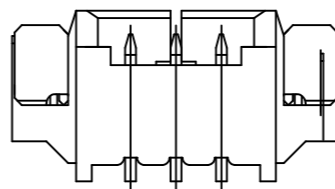
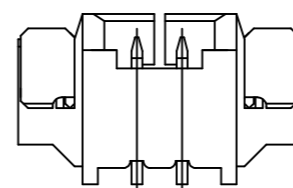
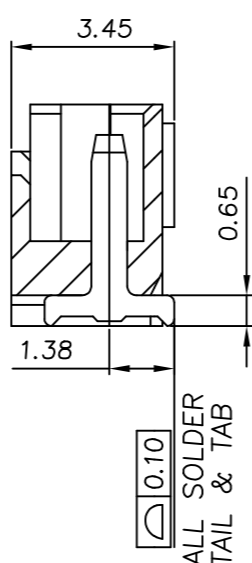
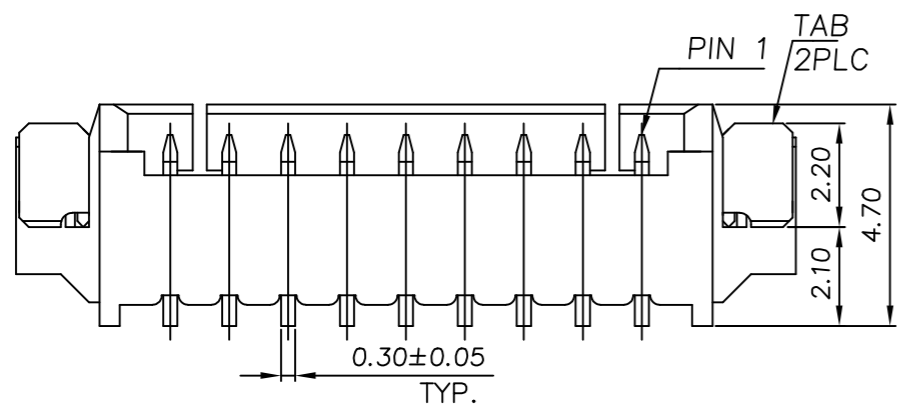
ALL RIGHTS RESERVED.

REVISIONS

P	LTR	DESCRIPTION	DATE	DWN	APVD
	A3	ECR-19-007134	27FEB2019	T.Q	W.H



RECOMMENDED PCB LAYOUT
TOLERANCE: ±0.05



MIN. GOLD	1.25	3.05	4.25	7.79	2	5-1734261-2
	17.50	19.30	20.50	24.04	15	4-1734261-5
	16.25	18.05	19.25	22.79	14	4-1734261-4
	15.00	16.80	18.00	21.54	13	4-1734261-3
	13.75	15.55	16.75	20.29	12	4-1734261-2
	12.50	14.30	15.50	19.04	11	4-1734261-1
	11.25	13.05	14.25	17.79	10	4-1734261-0
	10.00	11.80	13.00	16.54	9	3-1734261-9
	8.75	10.55	11.75	15.29	8	3-1734261-8
	7.50	9.30	10.50	14.04	7	3-1734261-7
	6.25	8.05	9.25	12.79	6	3-1734261-6
	5.00	6.80	8.00	11.54	5	3-1734261-5
	3.75	5.55	6.75	10.29	4	3-1734261-4
	2.50	4.30	5.50	9.04	3	3-1734261-3
	1.25	3.05	4.25	7.79	2	3-1734261-2
MIN. MATTE-TIN	17.50	19.30	20.50	24.04	15	1-1734261-5
	16.25	18.05	19.25	22.79	14	1-1734261-4
	15.00	16.80	18.00	21.54	13	1-1734261-3
	13.75	15.55	16.75	20.29	12	1-1734261-2
	12.50	14.30	15.50	19.04	11	1-1734261-1
	11.25	13.05	14.25	17.79	10	1-1734261-0
	10.00	11.80	13.00	16.54	9	1734261-9
	8.75	10.55	11.75	15.29	8	1734261-8
	7.50	9.30	10.50	14.04	7	1734261-7
	6.25	8.05	9.25	12.79	6	1734261-6
	5.00	6.80	8.00	11.54	5	1734261-5
	3.75	5.55	6.75	10.29	4	1734261-4
	2.50	4.30	5.50	9.04	3	1734261-3
	1.25	3.05	4.25	7.79	2	1734261-2

- NOTE:
- 1. MATERIAL: HOUSING: HIGH TEMP. THERMOPLASTIC, UL 94V-0, COLOR: NATURAL. CONTACTS: PHOSPHOR BRONZE. TAB: PHOSPHOR BRONZE.
 - 2. FINISH: CONTACTS: (SEE TABLE) OVER 50u" MIN. NICKEL PLATED. TAB: 100u" MIN. MATTE-TIN OVER 50u" MIN. NICKEL PLATED.
 - 3. NO TE LOGO AND DATE CODE ON THE PRODUCT.
 - 4. LOCKING WINDOW: ON PLACE FOR 2 AND 3 CONTACTS, TWO PLACES FOR MORE THAN 3 CONTACTS.
 - 5. RECOMMENDED PART NUMBER OF CABLE ASSEMBLY: HOUSING: X-440146-X CONTACT: 440147-2(GOLD PLATED)/1734193-1(TIN PLATED).
 - 6. MATERIAL: HOUSING: HIGH TEMP. THERMOPLASTIC, UL 94V-0, COLOR: BLACK. CONTACTS: PHOSPHOR BRONZE. TAB: PHOSPHOR BRONZE.

THIS DRAWING IS A CONTROLLED DOCUMENT.

DIMENSIONS: mm	TOLERANCES UNLESS OTHERWISE SPECIFIED:	DWN Tommy Qian 21DEC2017	TE Connectivity Ltd.
		CHK Wenke He 21DEC2017	
		APVD Wenke He 21DEC2017	NAME
		PRODUCT SPEC	WIRE TO BOARD MALE HEADER
		APPLICATION SPEC	1.25MM PITCH, SMT, RIGHT ANGLE
MATERIAL SEE NOTE	FINISH SEE NOTE	WEIGHT -	SIZE A3 CAGE CODE 00779 DRAWING NO C=1734261 RESTRICTED TO -
		CUSTOMER DRAWING	SCALE N/A SHEET 1 OF 2 REV A3

THIS DRAWING IS UNPUBLISHED.

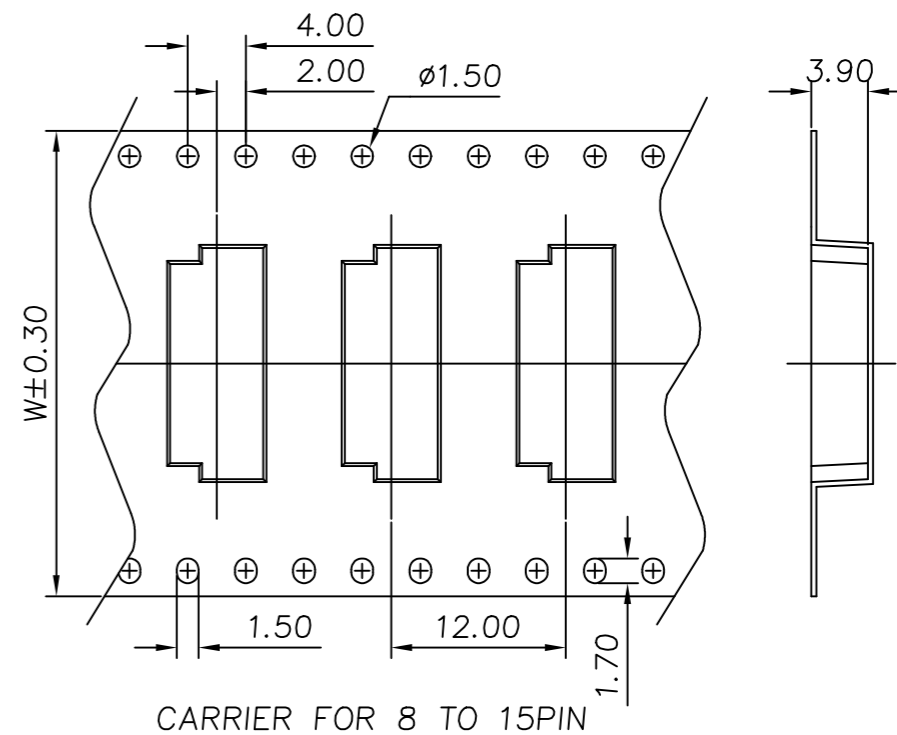
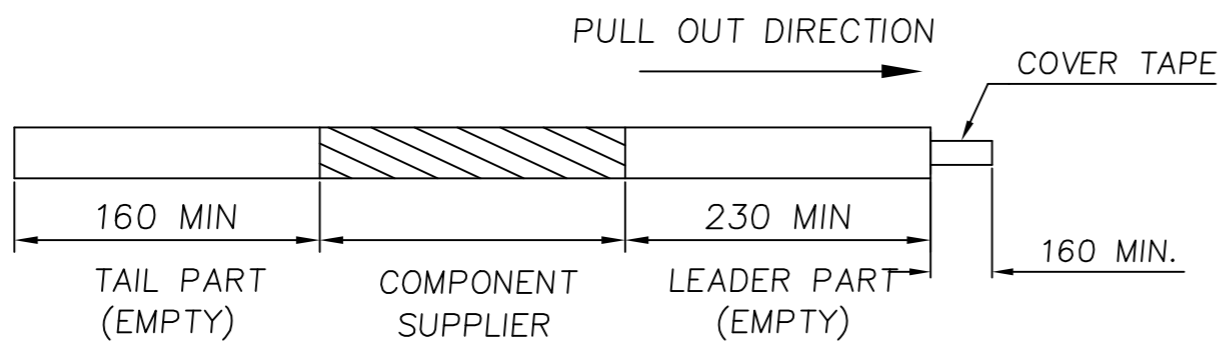
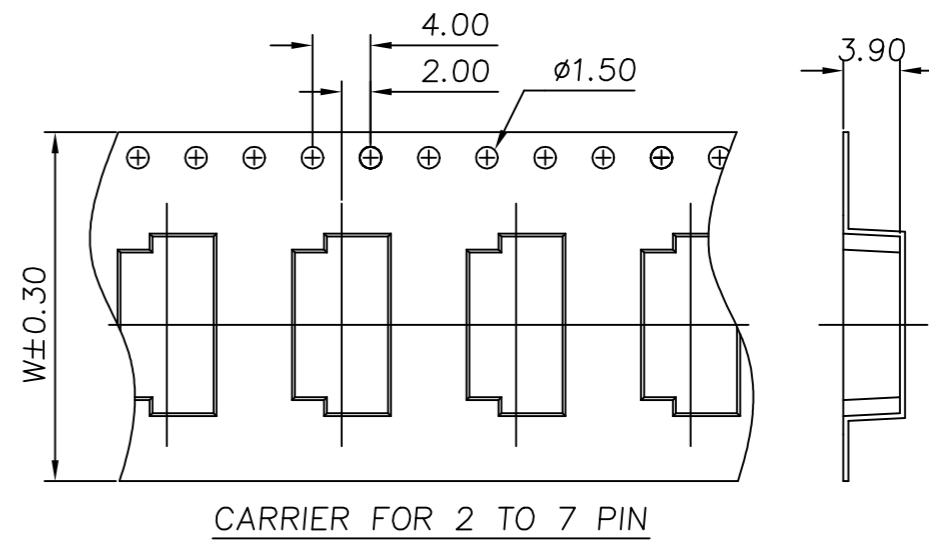
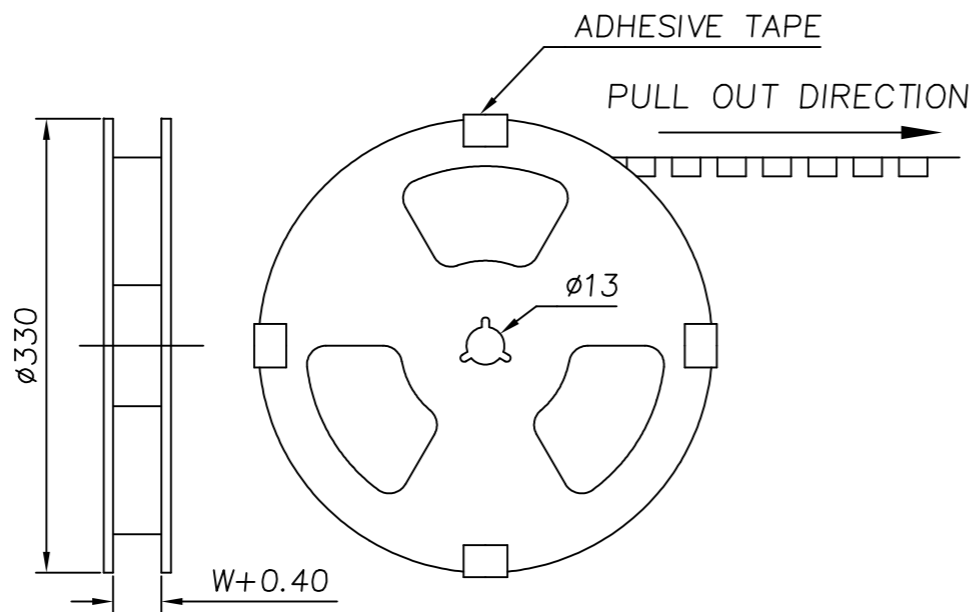
RELEASED FOR PUBLICATION

ALL RIGHTS RESERVED.

© COPYRIGHT - TE Connectivity Ltd.

REVISIONS

P	LTR	DESCRIPTION	DATE	DWN	APVD
-	-	SEE SHEET 1	-	-	-



NOTE: 1. CARTON DIMENSION: 340X340X250

NO. OF PIN	DIM W	PACKING	REELS/CARTON	PCS/REEL
15	44.0	1000/REEL	4	4000
14				
13				
12				
11	32.0	1000/REEL	6	6000
10				
9				
8				
7	24.0	1000/REEL	7	7000
6				
5				
4				
3	16.0	1000/REEL	10	10000
2				

THIS DRAWING IS A CONTROLLED DOCUMENT.

DIMENSIONS: mm

TOLERANCES UNLESS OTHERWISE SPECIFIED:

0 PLC ± -
1 PLC ± 0.38
2 PLC ± 0.25
3 PLC ± -
4 PLC ± -
ANGLES ± 0°30'

MATERIAL: SEE NOTE
FINISH: SEE NOTE

DWN: Tommy Qian 21DEC2017
CHK: Wenke He 21DEC2017
APVD: Wenke He 21DEC2017

PRODUCT SPEC: 108-57273
APPLICATION SPEC: 501-57299

WEIGHT: -

CUSTOMER DRAWING

TE Connectivity Ltd.

WIRE TO BOARD MALE HEADER
1.25MM PITCH, SMT, RIGHT ANGLE

SIZE	CAGE CODE	DRAWING NO	RESTRICTED TO
A3	00779	C=1734261	-

SCALE: N/A
SHEET: 2 OF 2
REV: A3

X-ON Electronics

Largest Supplier of Electrical and Electronic Components

Click to view similar products for [Headers & Wire Housings](#) category:

Click to view products by [TE Connectivity](#) manufacturer:

Other Similar products are found below :

[892-18-020-10-001101](#) [58102-G61-06LF](#) [582553-1](#) [0009485154](#) [009176003701906](#) [0050291907](#) [LY20-4P-DT1-P1E-BR](#) [02.125.8002.8](#)
[609-3404](#) [61062-3](#) [61082-181009](#) [622-3653LF](#) [63453-116](#) [636-1030](#) [636-1427](#) [636-3427](#) [636-4007](#) [641938-9](#) [641991-4](#) [644827-2](#) [65817-](#)
[010LF](#) [65817-015LF](#) [65863-015LF](#) [66207-023LF](#) [67095-007LF](#) [67601157](#) [68645-018](#) [68648-049](#) [70.362.1628.0](#) [70-4210](#) [70-4226B](#) [70-](#)
[4853B](#) [707-5020](#) [707-5028](#) [71.350.2428.0](#) [71918-208LF](#) [71961-016LF](#) [733-134](#) [733-162](#) [754199-000](#) [760-3052](#) [79531-3000](#) [FCN-](#)
[360C032-B](#) [FCN-367T-T012/H](#) [FCN-723D010/2](#) [80.063.4001.1](#) [800-90-010-10-002000](#) [801-43-002-10-013000](#) [801-43-006-10-002000](#)
[801-93-011-10-001000](#)