

4

3

2

1

THIS DRAWING IS UNPUBLISHED.

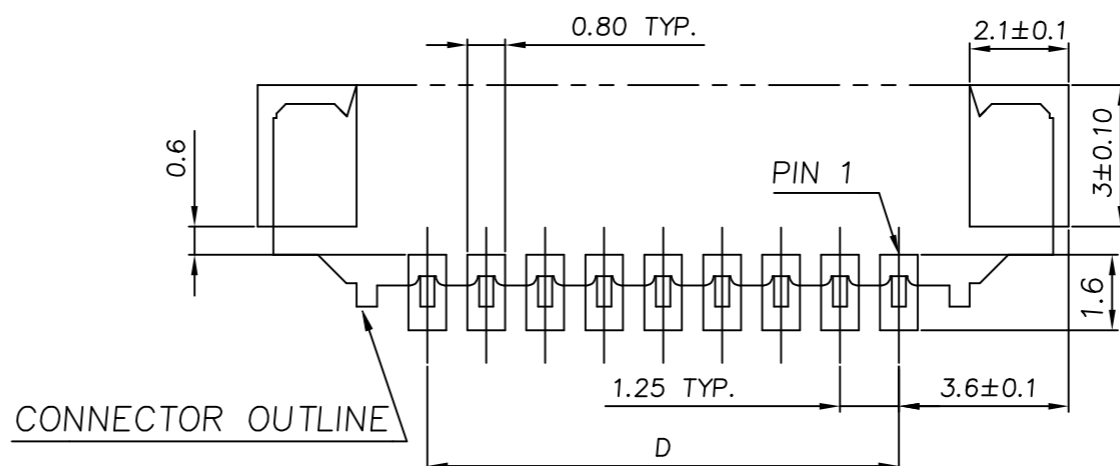
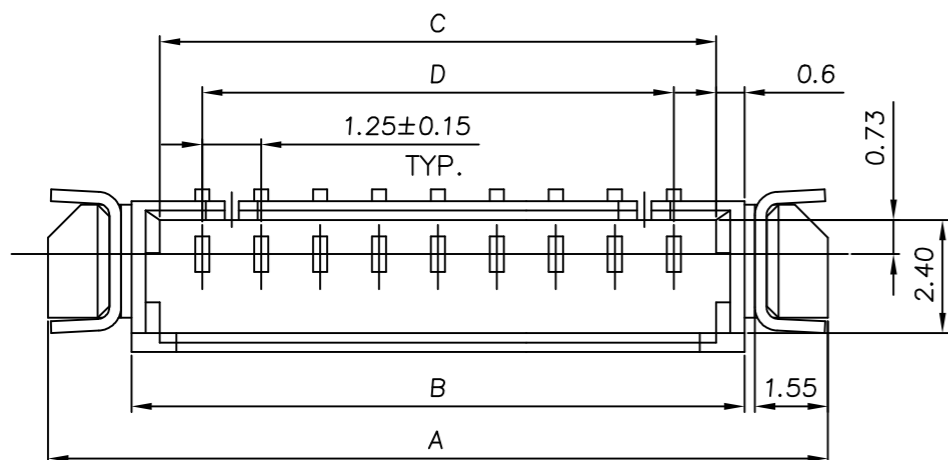
RELEASED FOR PUBLICATION

REVISIONS

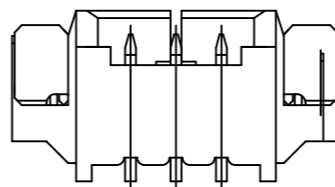
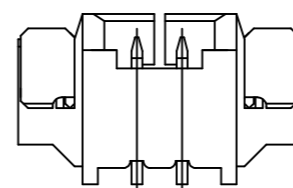
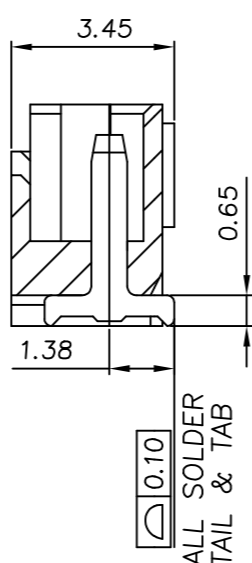
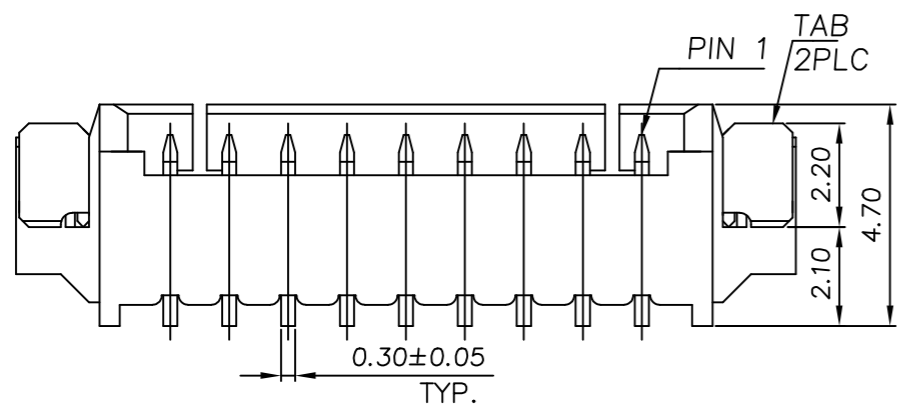
© COPYRIGHT - TE Connectivity Ltd.

ALL RIGHTS RESERVED.

P	LTR	DESCRIPTION	DATE	DWN	APVD
	A3	ECR-19-007134	27FEB2019	T.Q	W.H



RECOMMENDED PCB LAYOUT  
TOLERANCE: ±0.05



MIN. GOLD	1.25	3.05	4.25	7.79	2	5-1734261-2
	17.50	19.30	20.50	24.04	15	4-1734261-5
	16.25	18.05	19.25	22.79	14	4-1734261-4
	15.00	16.80	18.00	21.54	13	4-1734261-3
	13.75	15.55	16.75	20.29	12	4-1734261-2
	12.50	14.30	15.50	19.04	11	4-1734261-1
	11.25	13.05	14.25	17.79	10	4-1734261-0
	10.00	11.80	13.00	16.54	9	3-1734261-9
	8.75	10.55	11.75	15.29	8	3-1734261-8
	7.50	9.30	10.50	14.04	7	3-1734261-7
	6.25	8.05	9.25	12.79	6	3-1734261-6
	5.00	6.80	8.00	11.54	5	3-1734261-5
	3.75	5.55	6.75	10.29	4	3-1734261-4
	2.50	4.30	5.50	9.04	3	3-1734261-3
	1.25	3.05	4.25	7.79	2	3-1734261-2
MIN. MATTE-TIN	17.50	19.30	20.50	24.04	15	1-1734261-5
	16.25	18.05	19.25	22.79	14	1-1734261-4
	15.00	16.80	18.00	21.54	13	1-1734261-3
	13.75	15.55	16.75	20.29	12	1-1734261-2
	12.50	14.30	15.50	19.04	11	1-1734261-1
	11.25	13.05	14.25	17.79	10	1-1734261-0
	10.00	11.80	13.00	16.54	9	1734261-9
	8.75	10.55	11.75	15.29	8	1734261-8
	7.50	9.30	10.50	14.04	7	1734261-7
	6.25	8.05	9.25	12.79	6	1734261-6
	5.00	6.80	8.00	11.54	5	1734261-5
	3.75	5.55	6.75	10.29	4	1734261-4
	2.50	4.30	5.50	9.04	3	1734261-3
	1.25	3.05	4.25	7.79	2	1734261-2

- NOTE:
- 1. MATERIAL: HOUSING: HIGH TEMP. THERMOPLASTIC, UL 94V-0, COLOR: NATURAL. CONTACTS: PHOSPHOR BRONZE. TAB: PHOSPHOR BRONZE.
  - 2. FINISH: CONTACTS: (SEE TABLE) OVER 50u" MIN. NICKEL PLATED. TAB: 100u" MIN. MATTE-TIN OVER 50u" MIN. NICKEL PLATED.
  - 3. NO TE LOGO AND DATE CODE ON THE PRODUCT.
  - 4. LOCKING WINDOW: ON PLACE FOR 2 AND 3 CONTACTS, TWO PLACES FOR MORE THAN 3 CONTACTS.
  - 5. RECOMMENDED PART NUMBER OF CABLE ASSEMBLY: HOUSING: X-440146-X CONTACT: 440147-2(GOLD PLATED)/1734193-1(TIN PLATED).
  - 6. MATERIAL: HOUSING: HIGH TEMP. THERMOPLASTIC, UL 94V-0, COLOR: BLACK. CONTACTS: PHOSPHOR BRONZE. TAB: PHOSPHOR BRONZE.

THIS DRAWING IS A CONTROLLED DOCUMENT.

DIMENSIONS: mm	TOLERANCES UNLESS OTHERWISE SPECIFIED:	DWN Tommy Qian 21DEC2017	TE Connectivity Ltd.
	0 PLC ± - 1 PLC ± 0.38 2 PLC ± 0.25 3 PLC ± - 4 PLC ± - ANGLES ± 0°30'	CHK Wenke He 21DEC2017 APVD Wenke He 21DEC2017	
MATERIAL SEE NOTE	FINISH SEE NOTE	PRODUCT SPEC 108-57273 APPLICATION SPEC 501-57299 WEIGHT -	NAME WIRE TO BOARD MALE HEADER 1.25MM PITCH, SMT, RIGHT ANGLE
		SIZE A3 CAGE CODE 00779 DRAWING NO C=1734261	RESTRICTED TO -
		CUSTOMER DRAWING	SCALE N/A SHEET 1 OF 2 REV A3

4

3

2

1

THIS DRAWING IS UNPUBLISHED.

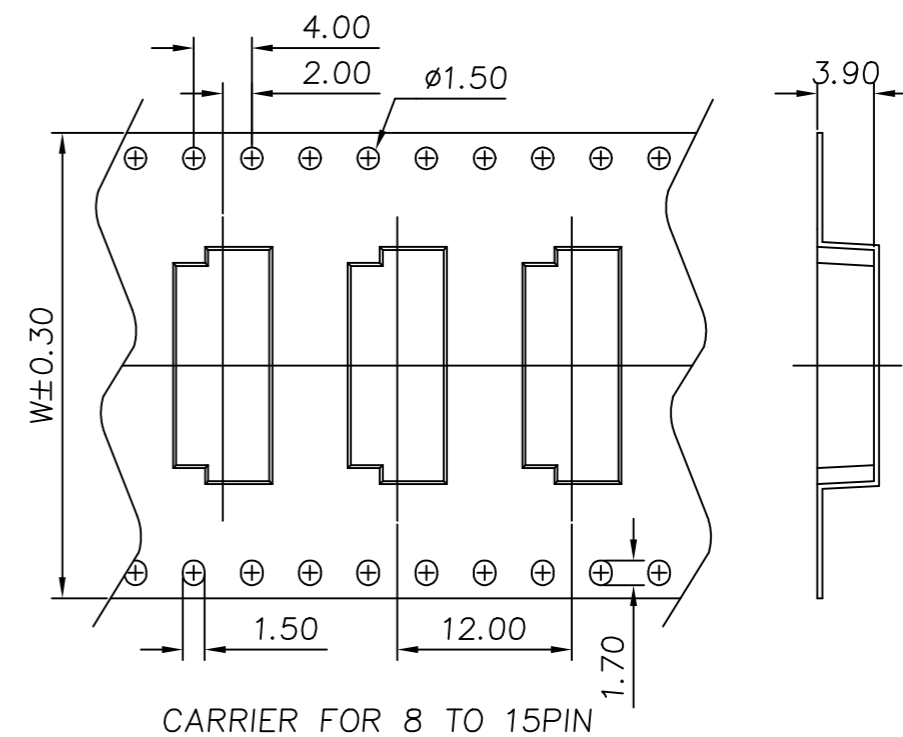
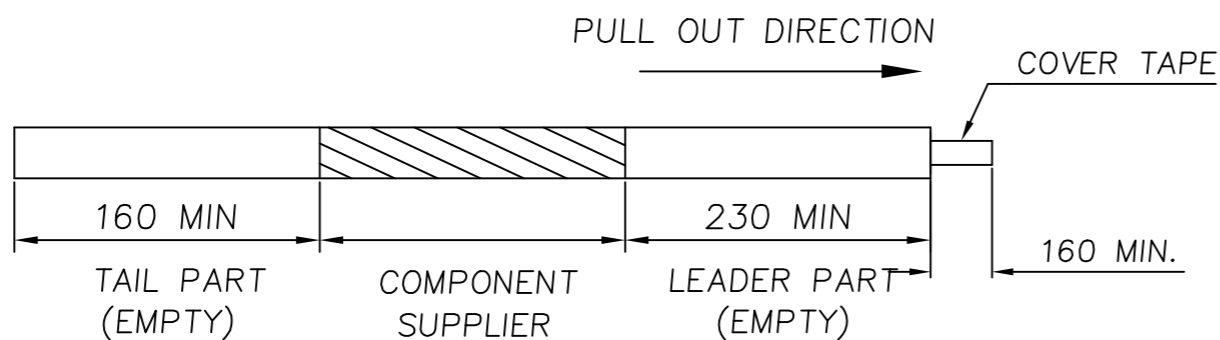
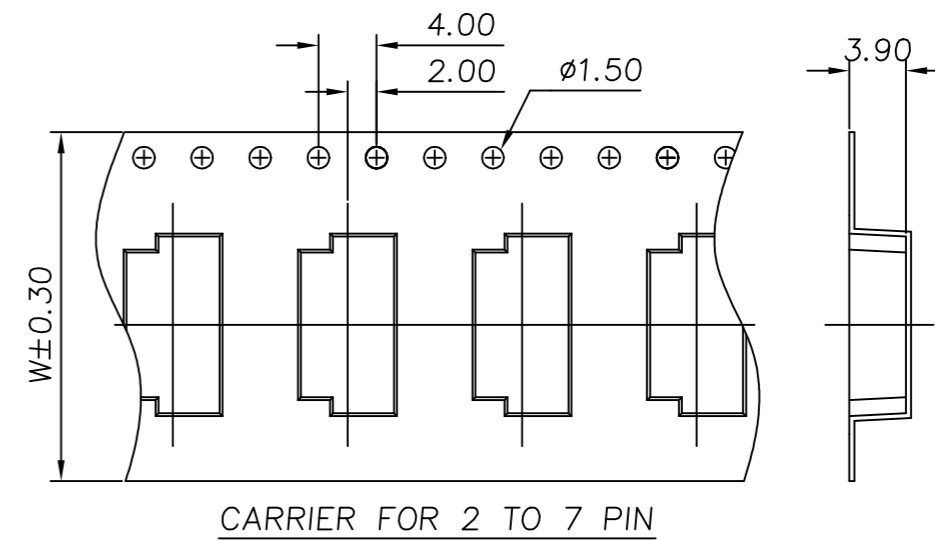
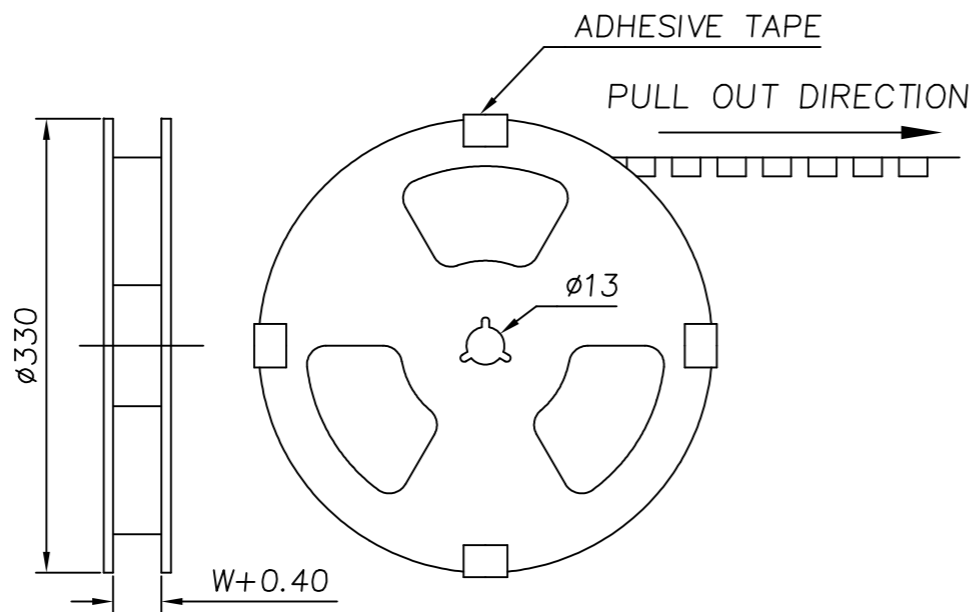
RELEASED FOR PUBLICATION

ALL RIGHTS RESERVED.

© COPYRIGHT - TE Connectivity Ltd.

REVISIONS

P	LTR	DESCRIPTION	DATE	DWN	APVD
-	-	SEE SHEET 1	-	-	-



NOTE: 1. CARTON DIMENSION: 340X340X250

NO. OF PIN	DIM W	PACKING	REELS/CARTON	PCS/REEL
15	44.0	1000/REEL	4	4000
14				
13				
12				
11	32.0	1000/REEL	6	6000
10				
9				
8				
7	24.0	1000/REEL	7	7000
6				
5				
4				
3	16.0	1000/REEL	10	10000
2				

THIS DRAWING IS A CONTROLLED DOCUMENT.

DWN Tommy Qian 21DEC2017  
CHK Wenke He 21DEC2017  
APVD Wenke He 21DEC2017

TE Connectivity Ltd.

WIRE TO BOARD MALE HEADER  
1.25MM PITCH, SMT, RIGHT ANGLE

108-57273  
501-57299

SIZE A3 CAGE CODE 00779 DRAWING NO C=1734261 RESTRICTED TO -

CUSTOMER DRAWING SCALE N/A SHEET 2 OF 2 REV A3

## X-ON Electronics

Largest Supplier of Electrical and Electronic Components

*Click to view similar products for [Headers & Wire Housings](#) category:*

*Click to view products by [TE Connectivity](#) manufacturer:*

Other Similar products are found below :

[892-18-020-10-001101](#) [58102-G61-06LF](#) [582553-1](#) [0009485154](#) [009176003701906](#) [0050291907](#) [LY20-4P-DT1-P1E-BR](#) [02.125.8002.8](#)  
[609-3404](#) [61062-3](#) [61082-181009](#) [622-3653LF](#) [63453-116](#) [636-1030](#) [636-1427](#) [636-3427](#) [636-4007](#) [641938-9](#) [641991-4](#) [644827-2](#) [65817-010LF](#) [65817-015LF](#) [65863-015LF](#) [66207-023LF](#) [67095-007LF](#) [67601157](#) [68645-018](#) [68648-049](#) [70.362.1628.0](#) [70-4210](#) [70-4226B](#) [70-4853B](#) [707-5020](#) [707-5028](#) [71.350.2428.0](#) [71918-208LF](#) [71961-016LF](#) [733-134](#) [733-162](#) [754199-000](#) [760-3052](#) [787-8014-00](#) [79531-3000](#)  
[FCN-360C032-B](#) [FCN-367T-T012/H](#) [FCN-723D010/2](#) [80.063.4001.1](#) [800-90-001-10-001000](#) [800-90-010-10-002000](#) [801-43-002-10-013000](#)