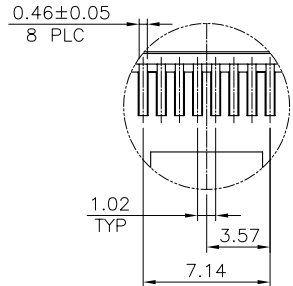
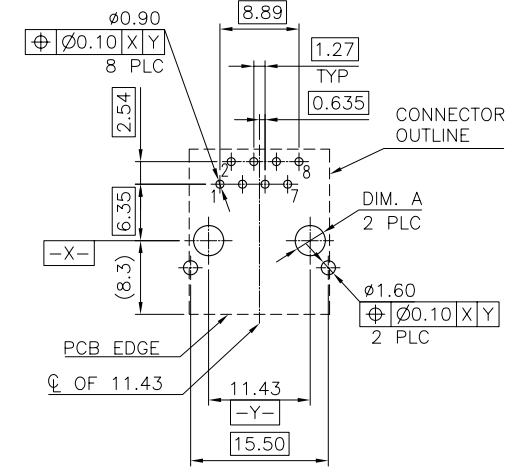
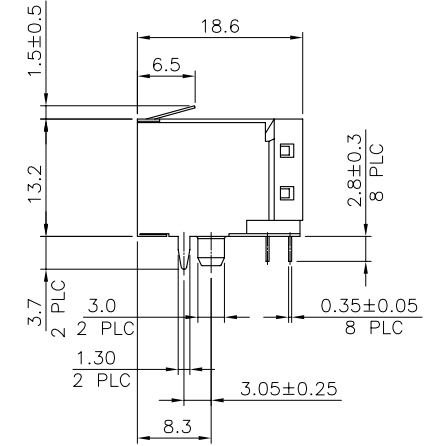
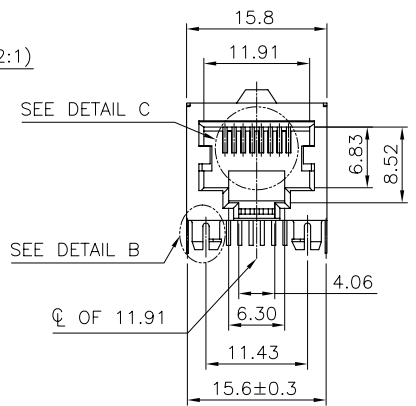
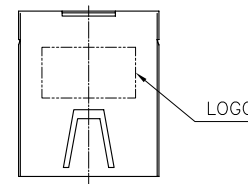


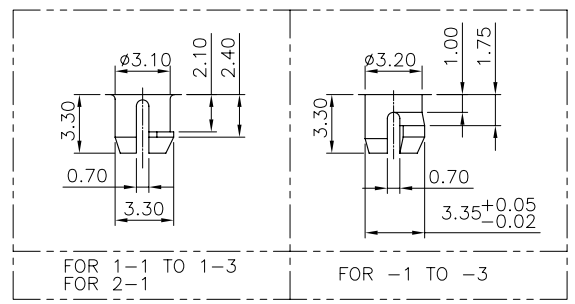
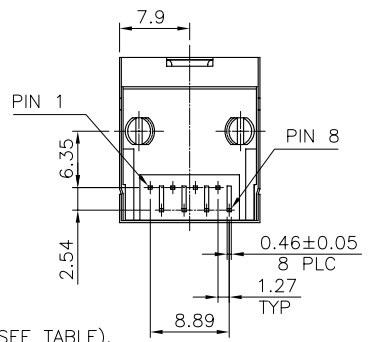
LOC	DIST	REVISIONS			
P	LTR	DESCRIPTION	DATE	DWN	APVD
DW	-				
	A2	REVISED (ECR-11-012100)	10JUN11	SC	WK



DETAIL C (SCALE 2:1)



RECOMMENDED PCB LAYOUT
 RECOMMENDED PCB THICKNESS: 1.6mm
 TOLERANCE: ±0.05 (TOP VIEW)



DETAIL B (SCALE 2:1)

- NOTE:
- MATERIAL:
 HOUSING: PA46, WITH 30% GF, UL 94V-0, COLOR : (SEE TABLE).
 CONTACTS: PHOSPHOR BRONZE.
 SHELL: BRASS.
 - FINISH:
 CONTACTS: (SEE TABLE) GOLD PLATED ON CONTACT AREA, GOLD FLASH ON SOLDER TAIL, WITH ENTIRE CONTACT UNDERPLATED 1.27µm [50µ"] MIN. NICKEL.
 SHELL: 0.508µm [20µ"] MIN. NICKEL PLATED.
 - WAVE SOLDER CAPABLE TO 265°C PER TE SPEC 109-202, CONDITION B.

⚠️ OBSOLETE PARTS: OBSOLETE CIS STREAMLINING PER D.RENAUD/D.SINISI

HOUSING COLOR	DIM. A	MIN. GOLD THICKNESS	PART NUMBER
BLACK	⌀3.20	0.381µm [15µ"]	2-1734264-1
		1.27µm [50µ"]	1-1734264-3
	⌀3.20	0.762µm [30µ"]	1-1734264-2
		0.381µm [15µ"]	1-1734264-1
	⌀3.40	1.27µm [50µ"]	1-1734264-3
		0.762µm [30µ"]	1-1734264-2
⌀3.40	0.381µm [15µ"]	1-1734264-1	

THIS DRAWING IS A CONTROLLED DOCUMENT.		DWN B. HSING	01JUL2009	TE TE Connectivity
DIMENSIONS: MM		CHK S. CHIEN	01JUL2009	
TOLERANCES UNLESS OTHERWISE SPECIFIED:		APVD W. KODAMA	01JUL2009	
0 PLC ± - 1 PLC ± 0.30 2 PLC ± 0.20 3 PLC ± 0.15 4 PLC ± - ANGLES ± 3°		NAME 108-57527	PRODUCT SPEC	
MATERIAL SEE NOTE		APPLICATION SPEC 501-57604	WEIGHT 4.95 GRAMS	SIZE A3
SEE NOTE		CUSTOMER DRAWING	SCALE -	CAGE CODE 00779
				DRAWING NO G=1734264
				RESTRICTED TO -
				SHEET 1 OF 2
				REV A2

4

3

2

1

THIS DRAWING IS UNPUBLISHED.

RELEASED FOR PUBLICATION

AUG., 2006.

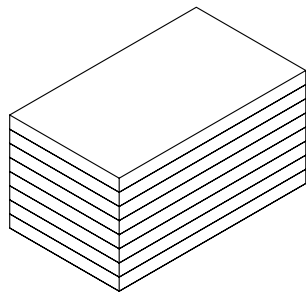
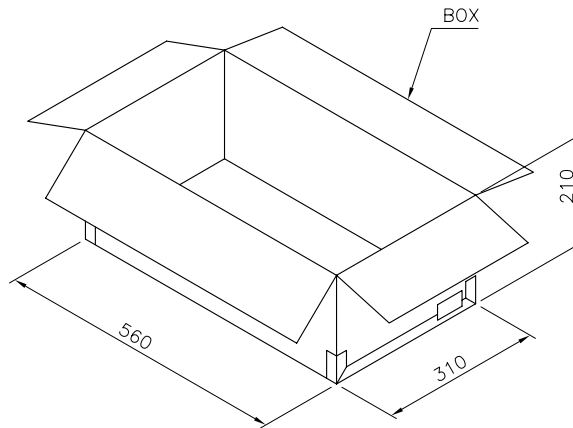
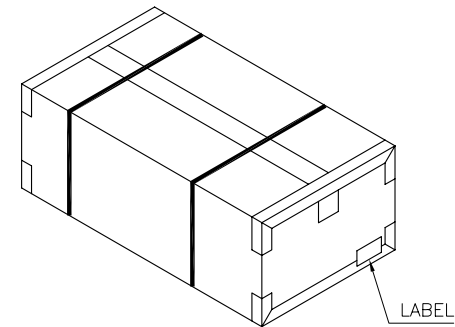
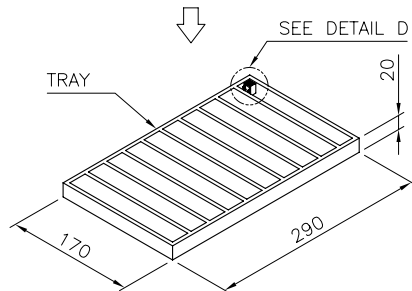
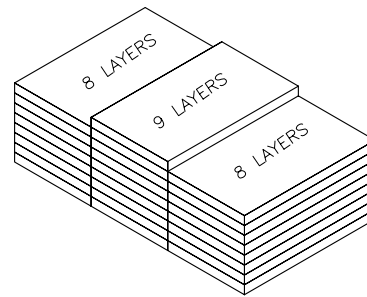
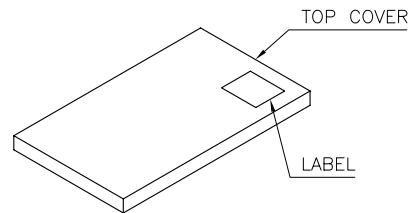
© COPYRIGHT BY TYCO ELECTRONICS CORPORATION. ALL RIGHTS RESERVED.

LOC DW

DIST

REVISIONS

P	LTR	DESCRIPTION	DATE	DWN	APVD
		SEE SHEET 1.			



14.4 Kg	12.4 Kg	100	25	2500 PCS
GROSS WEIGHT (Ref.)	NET WEIGHT (Ref.)	PCS/TRAY	TRAYS /BOX	QUANTITY

THIS DRAWING IS A CONTROLLED DOCUMENT.		DWN			
DIMENSIONS: MM		CHK			
TOLERANCES UNLESS OTHERWISE SPECIFIED:		APVD		NAME	
0 PLC ± - 1 PLC ± - 2 PLC ± - 3 PLC ± - 4 PLC ± - ANGLES ± -		PRODUCT SPEC		MODULAR JACK, RJ45, 8P8C, SIDE ENTRY, RIGHT ANGLE, WITH PANEL GROUND, LOW PROFILE	
MATERIAL		APPLICATION SPEC		SIZE CAGE CODE DRAWING NO RESTRICTED TO	
FINISH		WEIGHT		A3 00779 C=1734264	
CUSTOMER DRAWING				SCALE SHEET 2 OF 2 REV A2	

X-ON Electronics

Largest Supplier of Electrical and Electronic Components

Click to view similar products for [Modular Connectors / Ethernet Connectors](#) category:

Click to view products by [TE Connectivity](#) manufacturer:

Other Similar products are found below :

[8949-H88/06BLKA/SN](#) [74441-0010/BKN](#) [MP1010RX-1000](#) [MP44RX-1000](#) [PHJ-4P4C-1-V-4](#) [PHP-6P6C-5](#) [GAX-3-66](#) [GAX-8-62](#) [GDCX-PA-66-50](#) [GDCX-PN-64](#) [GDCX-PN-66](#) [GDCX-PN-66-50](#) [GDLX-A-66](#) [GDLX-N-66](#) [GDLX-S-66](#) [GDLX-S-88K](#) [GDLX-SMT-S-88](#) [GDTX-S-88-50](#) [GDX-PA-1010](#) [GLX-N-1010M-BLK](#) [GLX-S-88M-BLK](#) [GMX-N-1010](#) [GMX-S-1010](#) [GMX-S-66](#) [GMX-SMT4-N-88](#) [GPX-2-64](#) [GSGX-N-2-88](#) [GSGX-N-4-88](#) [GSX-NS2-88-3.05](#) [GSX-NS2-88-3.05-50](#) [GSX-NS-88-3.05-50](#) [PT-108A-8C-UL](#) [PT-J951-8C](#) [PTS-J531-8CS-50UL](#) [1-1775629-2](#) [A-2014-0-4](#) [GWLX-S-88-GR](#) [GWLX-S9-88-YG](#) [DC-1021-8-WH-6](#) [1300530003](#) [1324640-4](#) [RJ11FTVC2G](#) [RJ11FTVC2N](#) [RJFTVX2SA1G](#) [132764-001](#) [1413235](#) [MP88X-1000](#) [MPS88RX-5000](#) [E5288-S000K3-L](#) [E5908-15A242-L](#)