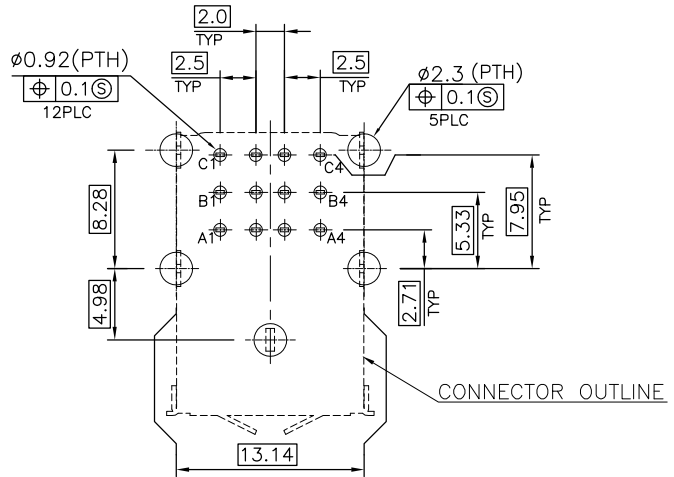
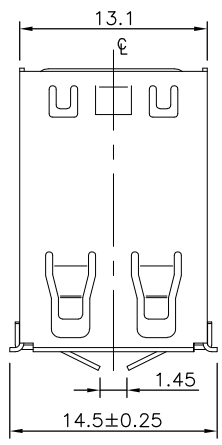


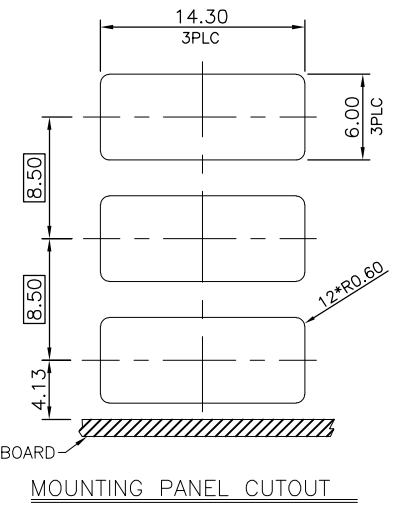
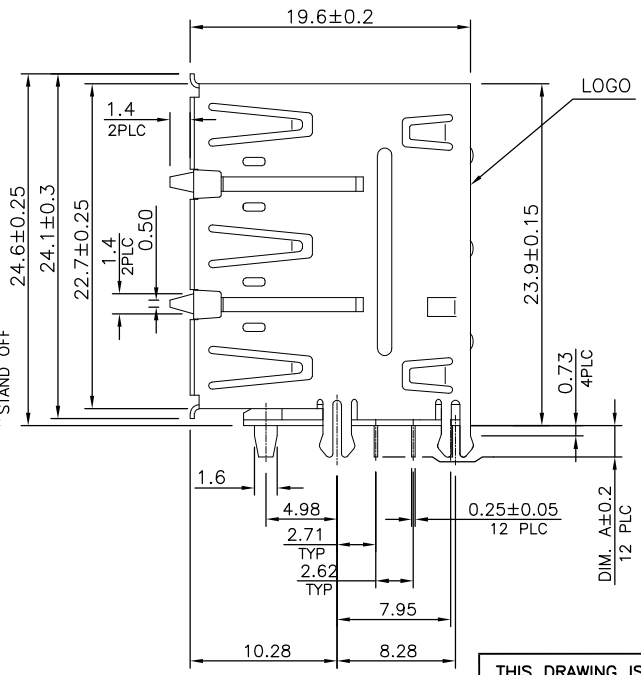
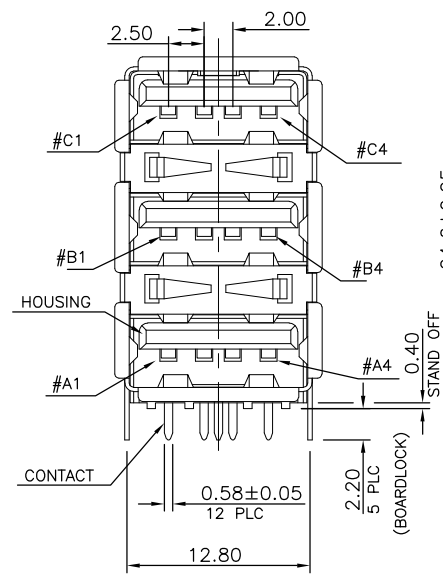
THIS DRAWING IS UNPUBLISHED. RELEASED FOR PUBLICATION  
 © COPYRIGHT BY TYCO ELECTRONICS CORPORATION. ALL RIGHTS RESERVED.

| LOC |     | DIST                              |  | REVISIONS |     |      |  |
|-----|-----|-----------------------------------|--|-----------|-----|------|--|
| P   | LTR | DESCRIPTION                       |  | DATE      | DWN | APVD |  |
| D3  |     | REVISED (E-16-005542/P-16-013174) |  | 13FEB17   | A.X | H.W  |  |



RECOMMENDED PCB LAYOUT  
 TOLERANCE: ±0.05mm

- NOTES:
- MATERIAL:  
 HOUSING: A. PA6T WITH 30% GF, UL 94V-0, COLOR: SEE TABLE.  
 B. PA9T WITH 33% GF, UL 94V-0, COLOR: BLACK.  
 CONTACTS: PHOSPHOR BRONZE.  
 SHELL: PHOSPHOR BRONZE.  
 SPRING: STAINLESS.  
 REAR SHELL: PHOSPHOR BRONZE.
  - FINISH:  
 CONTACTS: GOLD PLATING (SEE TABLE) IN CONTACT AREA,  
 2.54µm[100µ"] MIN. MATTE TIN PLATING ON SOLDERTAILS,  
 1.27µm[50µ"] MIN. NICKEL UNDERPLATED OVER ALL.  
 SHELL: 2.54µm[100µ"] MIN. NICKEL PLATING OVER ALL.  
 SPRING: 1.27µm[50µ"] MIN. NICKEL PLATING.  
 REAR SHELL: 1.27µm[50µ"] MIN. NICKEL PLATING.
  - RECOMMENDED PCB THICKNESS: 1.6mm.
  - WAVE SOLDER CAPABLE TO 265° PER TE CONNECTIVITY SPEC. 109-202, CONDITION B.
  - RELOW SOLDER CAPABLE TO 260° PER TE CONNECTIVITY SPEC. 109-201, CONDITION B.
  - "●" APPLIED FOR 1-1734309-5 ONLY
- △ OBSOLETE PARTS: OBSOLETE CIS STREAMLINING PER D.RENAUD/D.SINISI



| STATUS   | QTY  | COLOR        | THICKNESS | PART NUMBER |
|----------|------|--------------|-----------|-------------|
| OBSOLETE | 3.91 | BLACK (426C) | 15µ"      | 4-1734309-7 |
|          |      | BEIGE (726C) | 15µ"      | 2-1734309-8 |
|          |      | BLACK (426C) | 15µ"      | 2-1734309-7 |
| OBSOLETE |      | BEIGE (726C) | 30µ"      | 2-1734309-6 |
|          |      | BLACK (426C) | 30µ"      | 2-1734309-5 |
| OBSOLETE | 2.84 | BEIGE (726C) | 5µ"       | 2-1734309-4 |
| OBSOLETE |      | BLACK (426C) | 5µ"       | 2-1734309-3 |
| OBSOLETE |      | BEIGE (726C) | G/F       | 2-1734309-2 |
| OBSOLETE |      | BLACK (426C) | G/F       | 2-1734309-1 |
| OBSOLETE |      | BEIGE (726C) | 15µ"      | 1734309-8   |
| OBSOLETE |      | BLACK (426C) | 15µ"      | 1734309-7   |
| OBSOLETE |      | BEIGE (726C) | 30µ"      | 1734309-6   |
|          |      | BLACK (426C) | 30µ"      | 1734309-5   |
| OBSOLETE | 2.2  | BEIGE (726C) | 5µ"       | 1734309-4   |
|          |      | BLACK (426C) | 5µ"       | 1734309-3   |
| OBSOLETE |      | BEIGE (726C) | G/F       | 1734309-2   |
| OBSOLETE |      | BLACK (426C) | G/F       | 1734309-1   |

WITH SPRING

THIS DRAWING IS A CONTROLLED DOCUMENT.

DIMENSIONS: MM

TOLERANCES UNLESS OTHERWISE SPECIFIED:

|        |        |
|--------|--------|
| 0 PLC  | ± .    |
| 1 PLC  | ± 0.30 |
| 2 PLC  | ± 0.25 |
| 3 PLC  | ± 0.20 |
| 4 PLC  | ± .    |
| ANGLES | ± 3'   |

MATERIAL: SEE NOTE

FINISH: SEE NOTE

DWN: B. HSING 06FEB2009

CHK: S. CHIEN 06FEB2009

APVD: W. KODAMA 06FEB2009

PRODUCT SPEC: 108-57519

APPLICATION SPEC: -

WEIGHT: 9.2 GRAMS

CUSTOMER DRAWING

TE Connectivity

NAME: TRIPLE STACKED USB, A TYPE, RECEPTACLE, R/A, DIP CONN.

SIZE: A3

CAGE CODE: 00779

DRAWING NO: C=1734309

RESTRICTED TO: -

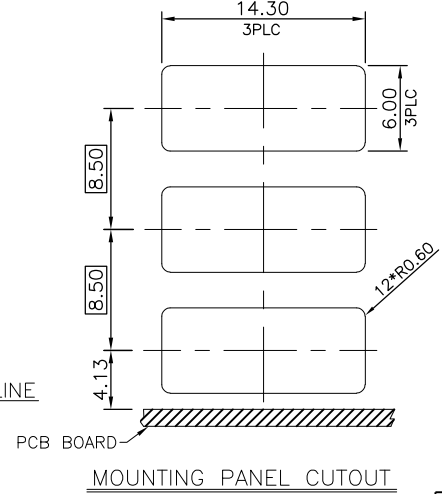
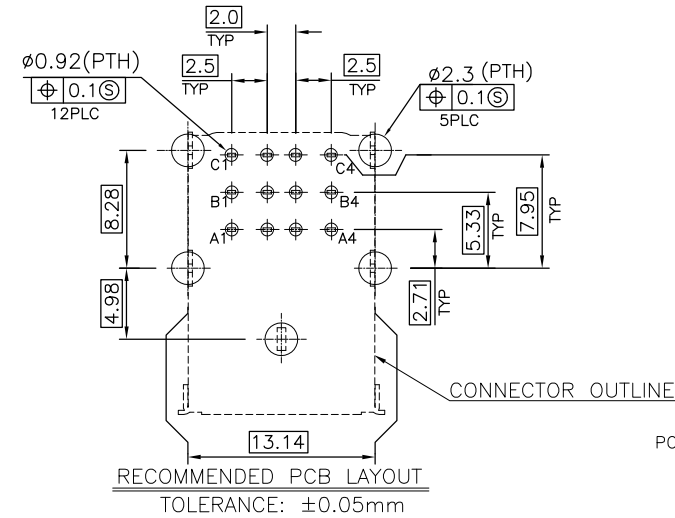
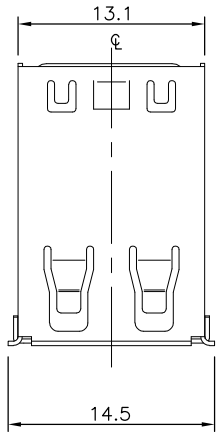
SCALE: -

SHEET: 1 OF 3

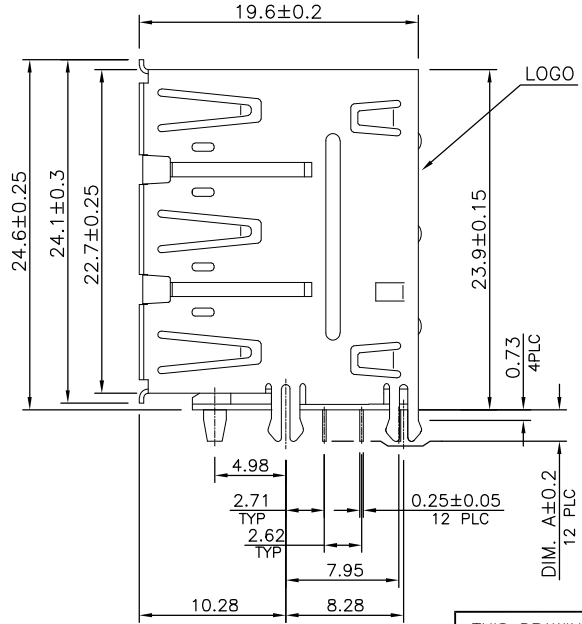
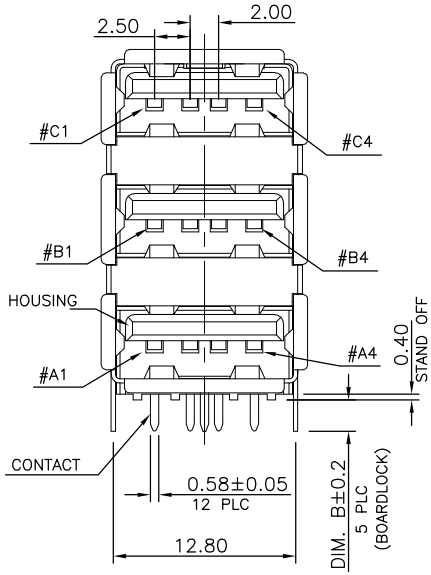
REV: D3

THIS DRAWING IS UNPUBLISHED. RELEASED FOR PUBLICATION  
 © COPYRIGHT BY TYCO ELECTRONICS CORPORATION. ALL RIGHTS RESERVED.

| LOC | DIST | REVISIONS |     |              |      |     |      |
|-----|------|-----------|-----|--------------|------|-----|------|
| DW  |      | P         | LTR | DESCRIPTION  | DATE | DWN | APVD |
|     |      |           |     | SEE SHEET 1. |      |     |      |



WITHOUT SPRING



|            | DIM B | DIM A | HOUSING COLOR | MIN. GOLD THICKNESS | PART NUMBER |
|------------|-------|-------|---------------|---------------------|-------------|
| △ OBSOLETE | 2.84  | 2.84  | BLACK (426C)  | 15μ"                | 5-1734309-7 |
| △ OBSOLETE |       |       | -BEIGE (726C) | 15μ"                | 3-1734309-8 |
| △ OBSOLETE |       |       | -BLACK (426C) | 15μ"                | 3-1734309-7 |
|            |       |       | -BEIGE (726C) | 30μ"                | 3-1734309-6 |
|            |       |       | BLACK (426C)  | 30μ"                | 3-1734309-5 |
|            |       |       | -BEIGE (726C) | 5μ"                 | 3-1734309-4 |
|            |       |       | -BLACK (426C) | 5μ"                 | 3-1734309-3 |
|            |       |       | -BEIGE (726C) | G/F                 | 3-1734309-2 |
|            |       |       | -BLACK (426C) | G/F                 | 3-1734309-1 |
|            |       |       | -BEIGE (726C) | 15μ"                | 1-1734309-8 |
|            |       |       | BLACK (426C)  | 15μ"                | 1-1734309-7 |
|            |       |       | -BEIGE (726C) | 30μ"                | 1-1734309-6 |
|            |       |       | BLACK (426C)  | 30μ"                | 1-1734309-5 |
|            |       |       | -BEIGE (726C) | 5μ"                 | 1-1734309-4 |
|            |       |       | -BLACK (426C) | 5μ"                 | 1-1734309-3 |
|            |       |       | -BEIGE (726C) | G/F                 | 1-1734309-2 |
|            |       |       | BLACK (426C)  | G/F                 | 1-1734309-1 |

THIS DRAWING IS A CONTROLLED DOCUMENT.

DWN  
CHK  
APVD  
PRODUCT SPEC  
APPLICATION SPEC  
WEIGHT 9.0 GRAMS  
CUSTOMER DRAWING

TE Connectivity

NAME  
TRIPLE STACKED USB, A TYPE, RECEPTACLE, R/A, DIP CONN.

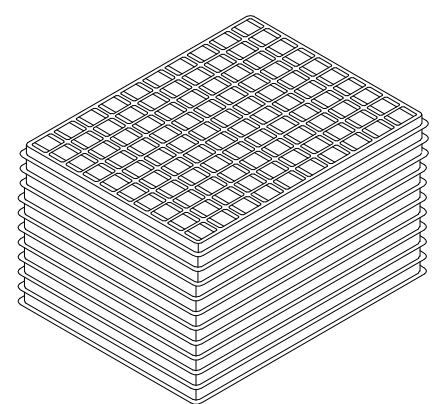
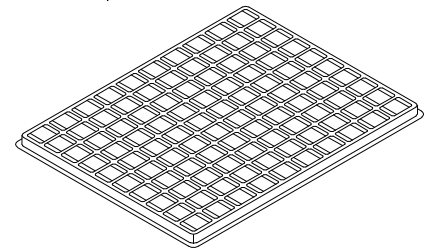
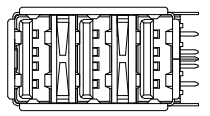
SIZE A3 CAGE CODE 00779 DRAWING NO C=1734309 RESTRICTED TO

SCALE - SHEET 2 OF 3 REV D3

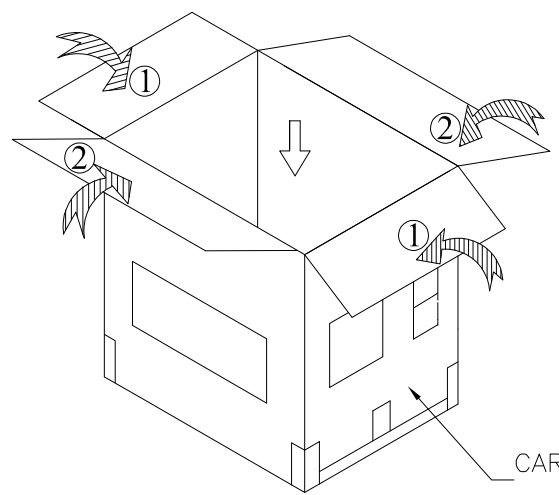
THIS DRAWING IS UNPUBLISHED. RELEASED FOR PUBLICATION  
 © COPYRIGHT BY TYCO ELECTRONICS CORPORATION. ALL RIGHTS RESERVED.

|           |      |              |      |     |      |
|-----------|------|--------------|------|-----|------|
| LOC<br>DW | DIST | REVISIONS    |      |     |      |
| P         | LTR  | DESCRIPTION  | DATE | DWN | APVD |
|           |      | SEE SHEET 1. |      |     |      |

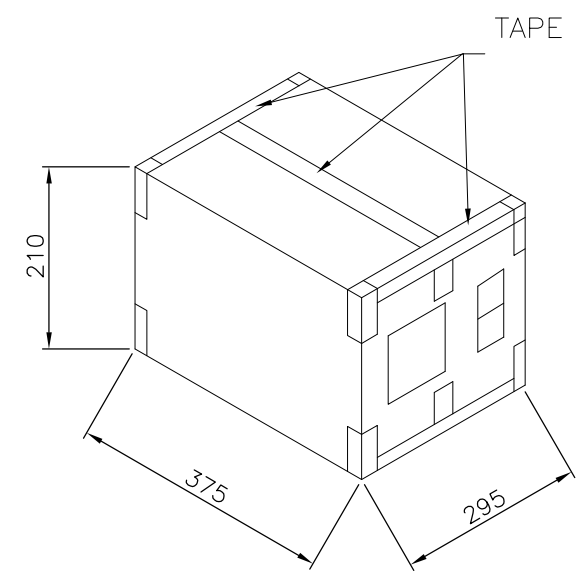
100PCS/TRAY



10 LAYERS



CARTON



|          |          |          |             |            |
|----------|----------|----------|-------------|------------|
| 13.0     | 12.0     | 100      | 10          | 1000       |
| G/W (KG) | N/W (KG) | PCS/TRAY | TRAY/CARTON | PCS/CARTON |

|  |  |                  |  |              |               |
|--|--|------------------|--|--------------|---------------|
| THIS DRAWING IS A CONTROLLED DOCUMENT. |  | DWN              | <b>TE</b> TE Connectivity                              |              |               |
| DIMENSIONS: MM                         |  | CHK              |  |              |               |
| TOLERANCES UNLESS OTHERWISE SPECIFIED: |  | APVD             | NAME   |              |               |
| 0 PLC ± -                              |  | PRODUCT SPEC     | TRIPLE STACKED USB, A TYPE, RECEPTACLE, R/A, DIP CONN. |              |               |
| 1 PLC ± -                              |  | APPLICATION SPEC | SIZE   | CAGE CODE    | DRAWING NO    |
| 2 PLC ± -                              |  | WEIGHT           | A3   | 00779        | C=1734309     |
| 3 PLC ± -                              |  | FINISH           | CUSTOMER DRAWING                                       |              | RESTRICTED TO |
| 4 PLC ± -                              |  |                  | SCALE  | SHEET 3 OF 3 | REV D3        |

## X-ON Electronics

Largest Supplier of Electrical and Electronic Components

*Click to view similar products for [USB Connectors](#) category:*

*Click to view products by [TE Connectivity](#) manufacturer:*

Other Similar products are found below :

[65-647-8-BK-BU](#) [950](#) [952](#) [E8144-B01021-L](#) [A-USB B-TOP-C](#) [MUSBA511N5](#) [MUSBD11135](#) [217450-1](#) [KMBVX-TH-5S-B30](#) [896-30-004-00-000000](#) [KUSBVX-BS1N-W30](#) [KUSBX-AP-KIT-SCBLK](#) [KUSBX-AS2N-W](#) [KUSBX-SMT2AP1S-W](#) [KUSBX-SMT2AP1S-W30](#) [935](#) [957](#) [30-498-6](#) [17-210051](#) [1734082-1](#) [30-1574](#) [30-470](#) [30-489](#) [30-541](#) [30-572-3](#) [A-USB A-2P-C](#) [MIKROE-1451](#) [USBFTV2PEM2G](#) [USBFTVC6ZN](#) [KUSBX-AS2N-W30](#) [KUSBX-SLAS1N-W](#) [KUSBX-SMT-AS1N-W30](#) [4689-1](#) [1-1734084-2](#) [E8110-001-01](#) [33UBARS1-04SW11](#) [33UBAR-04SW11](#) [USBF21ZNSCC](#) [USBBFTV6ZC](#) [10135326-001LF](#) [USB-A-S-F-B-VT](#) [925](#) [4198](#) [690-024-633-031](#) [KUSBEX-BSFS1N-W](#) [USBFTVC6MRG](#) [UA-20BMFA-SL8001](#) [17-250101](#) [USBFTVC7ZC](#) [USBFTV75NF459](#)