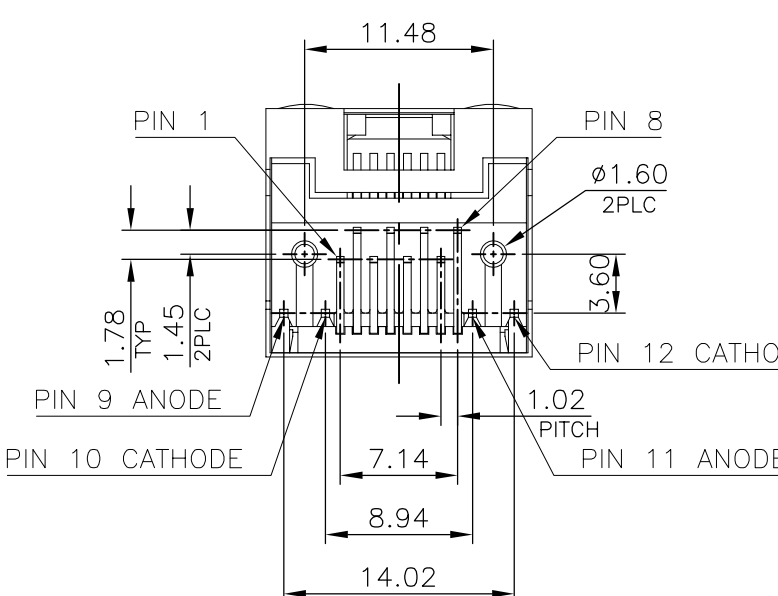


- NOTE:
- MATERIAL:
    - HOUSING: PA46, WITH 30% GF, UL94V-0, BLACK COLOR.
    - INSERT HOUSING: PA46, WITH 30% GF, UL94V-0, BLACK COLOR.
    - CONTACTS: PHOSPHOR BRONZE.
    - SHELL: BRASS.
    - LED SOLDER TAIL: STEEL.
    - MYLAR: SILICONE POLYMER.
  - FINISH:
    - CONTACTS: (SEE TABLE) GOLD PLATED ON CONTACT AREA. GOLD FLASH ON SOLDER TAIL. 1.27um [50u"] MIN. NICKEL UNDERPLATED OVERALL.
    - SHELL: 0.508um [20u"] MIN. NICKEL PLATED.
    - LED: 1.02um [40u"] COPPER UNDERPLATED OVERALL. 1.27um [50u"] NICKEL OVERALL. 1.27um [50u"] SILVER ON BONDING AREA. 2.54um [100u"] BRIGHT-TIN ON SOLDER AREA.
  - LED MUST BE REFLOW COMPATIBLE TO FOLLOWING TEMPERATURE PROFILE (FOR 1 CYCLE): ABOVE 160°C FOR 120 SECONDS, PEAKING AT 230°C FOR 6~8 SECONDS.
  - LED DEFECT RATE IS 6000 PPM MAX. AFTER IR REFLOW PROCESS AS NOTE 3.
  - APPLIED TO WAVE SOLDERING PROCESS.
  - OBsolete PARTS: OBsolete CIS STREAMLINING PER D.RENAUD/D.SINISI.



TRAY	YELLOW	GREEN	1.27um[50u"]	<del>1734509-8</del>
			0.762um[30u"]	1734509-7
			0.381um[15u"]	<del>1734509-6</del>
	GREEN	YELLOW	0.152um[6u"]	<del>1734509-5</del>
			1.27um[50u"]	1734509-4
			0.762um[30u"]	<del>1734509-3</del>
PACKAGE	POSITION 2	POSITION 1	MIN. GOLD THICKNESS	PART NUMBER
	INDICATOR COLOR			

THIS DRAWING IS A CONTROLLED DOCUMENT.

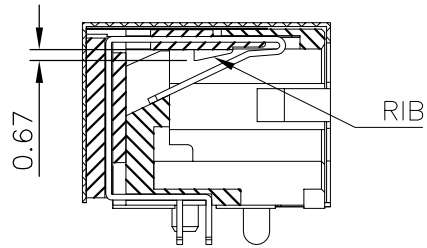
DIMENSIONS: mm	TOLERANCES UNLESS OTHERWISE SPECIFIED:	DWN O. HU 03OCT2005	TE Connectivity
	0 PLC ± - 1 PLC ± 0.3 2 PLC ± 0.2 3 PLC ± 0.15 4 PLC ± - ANGLES ± 3'	CHK S. HOU 03OCT2005	
		APVD W.J. KE 03OCT2005	
		PRODUCT SPEC 108-57527	
MATERIAL SEE NOTE	FINISH SEE NOTE	APPLICATION SPEC	NAME MODULAR JACK RJ45 8P8C, WITH SHELL, DIP, REVERSE TYPE
		WEIGHT -	SIZE A3
		CUSTOMER DRAWING	CAGE CODE 00779
			DRAWING NO C=1734509
			RESTRICTED TO
		SCALE -	SHEET 1 OF 4
			REV A6

LOC	DIST	REVISIONS					
DW		P	LTR	DESCRIPTION	DATE	DWN	APVD
				SEE SHEET 1.			

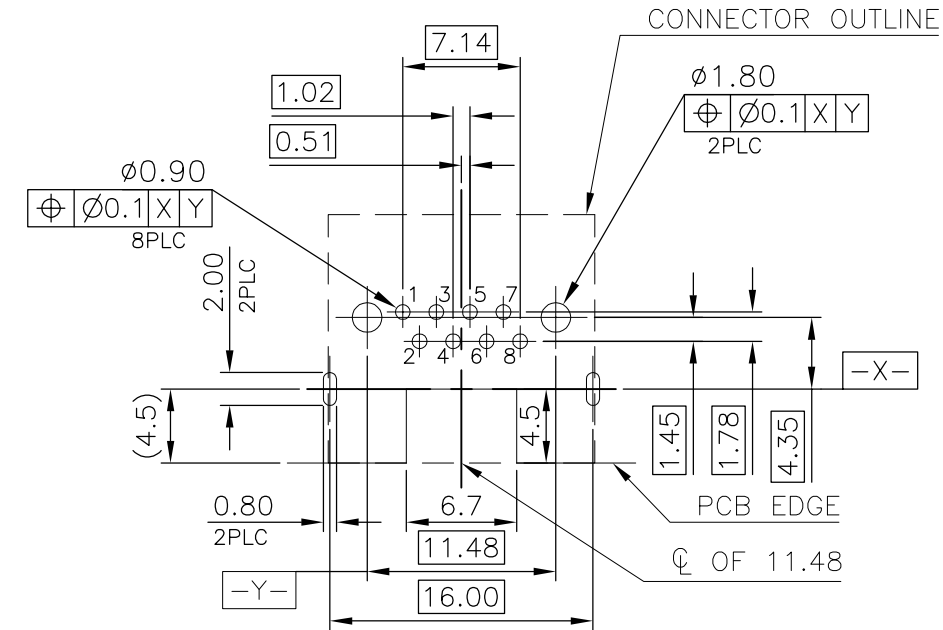
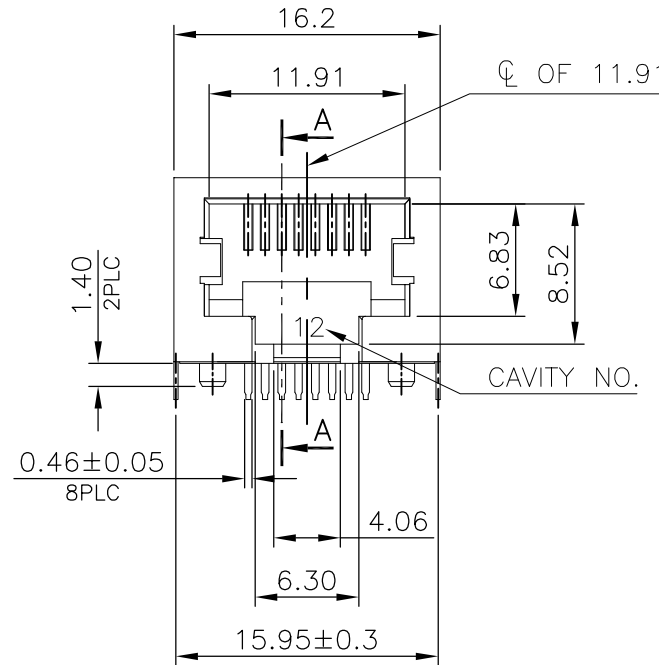
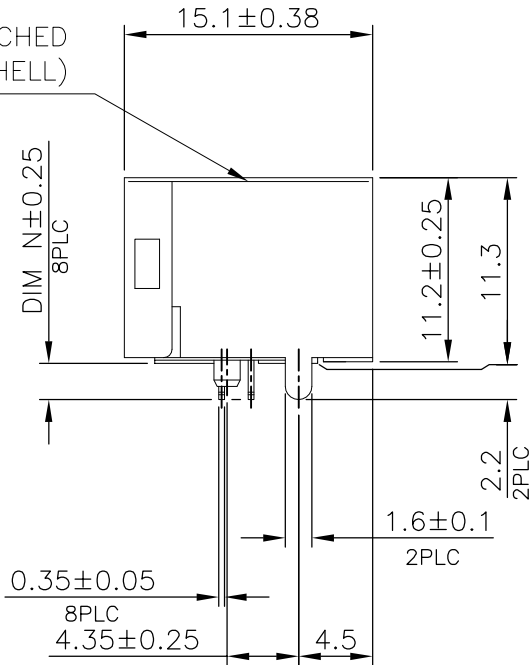
AMP LOGO &  
DATE CODE

MYLAR ATTACHED  
(UNDER SHELL)

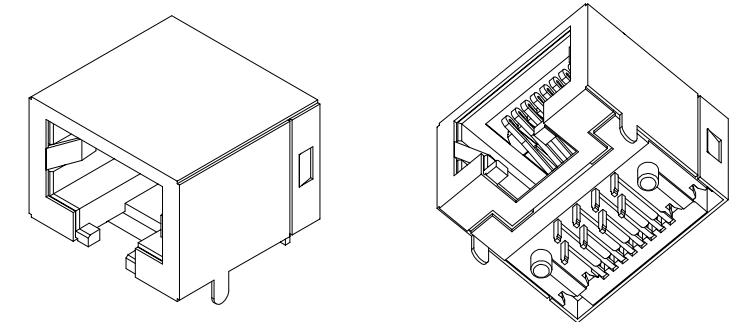
CONNECTOR OUTLINE



SECTION A-A



RECOMMENDED PCB LAYOUT (TOP VIEW)  
PCB THICKNESS: 1.6MM, TOLERANCE: ±0.05



NOTE:

1. MATERIAL:

1.1 HOUSING: PA46, WITH 30% GF, UL94V-0, BLACK COLOR.  
OR LCP WITH 30% G.F. UL94V-0, BLACK COLOR.  
(SEE TABLE)

1.2 INSERT HOUSING: PA46, WITH 30% GF, UL94V-0, BLACK COLOR.  
OR LCP WITH 30% G.F. UL94V-0, BLACK COLOR.  
(SEE TABLE)

1.3 CONTACTS: PHOSPHOR BRONZE.

1.4 SHELL: BRASS.

1.5 MYLAR: SILICONE POLYMER.

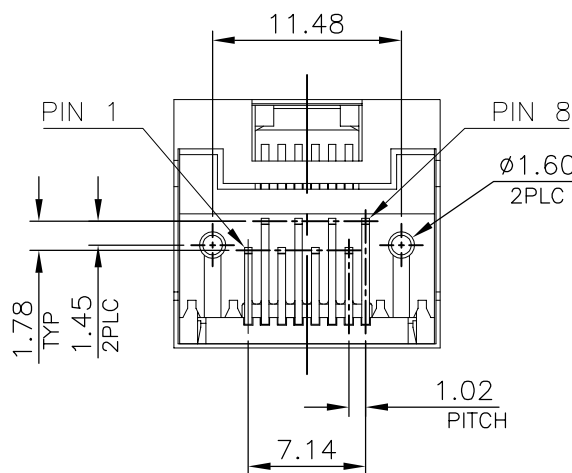
2. FINISH:

2.1 CONTACTS: (SEE TABLE) GOLD PLATED ON CONTACT AREA.  
GOLD FLASH ON SOLDER TAIL.  
1.27um [50u"] MIN. NICKEL UNDERPLATED OVERALL.

2.2 SHELL: 0.508um [20u"] MIN. NICKEL PLATED.

3. APPLIED TO WAVE SOLDERING PROCESS.

△ OBSOLETE PARTS: OBSOLETE CIS STREAMLINING PER D.RENAUD/D.SINISI.



△ OBSOLETE	LCP	TAPE & REEL	3.5	0.152um[6u"]	1-1734509-5
	PA46	TAPE & REEL	2.2	1.27um[50u"]	1-1734509-4
				0.762um[30u"]	1-1734509-3
				0.381um[15u"]	1-1734509-2
				0.152um[6u"]	1-1734509-1
	HOUSING&INSERT MATERIAL	PACKAGE	DIM N	MIN. GOLD THICKNESS	PART NUMBER

THIS DRAWING IS A CONTROLLED DOCUMENT.		DWN	TE Connectivity			
DIMENSIONS: mm		CHK				
TOLERANCES UNLESS OTHERWISE SPECIFIED:		APVD	NAME			
0 PLC ± - 1 PLC ± 0.3 2 PLC ± 0.2 3 PLC ± 0.15 4 PLC ± - ANGLES ± 3°		PRODUCT SPEC				
MATERIAL		FINISH	MODULAR JACK RJ45 8P8C, WITH SHELL, DIP, REVERSE TYPE			
		WEIGHT	SIZE	CAGE CODE	DRAWING NO	RESTRICTED TO
			A3	00779	1734509	
		CUSTOMER DRAWING	SCALE	SHEET	REV	
				2 OF 4	A6	

4

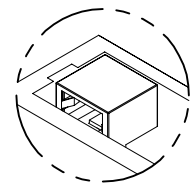
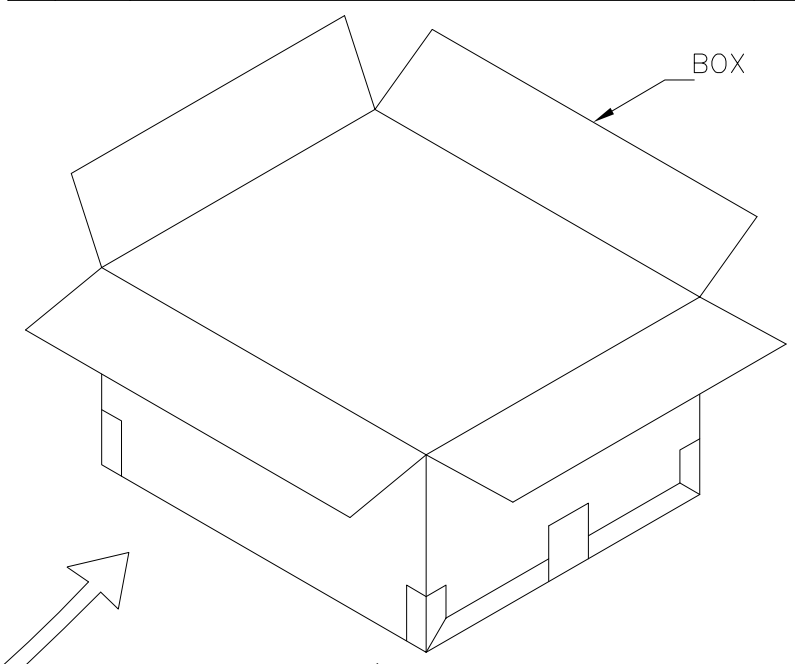
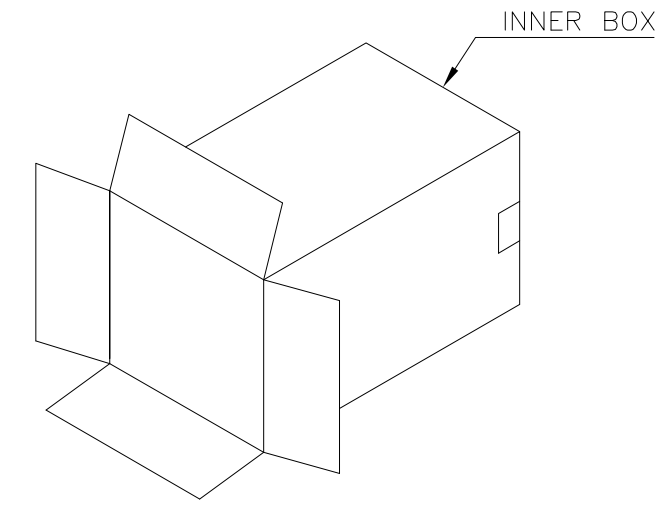
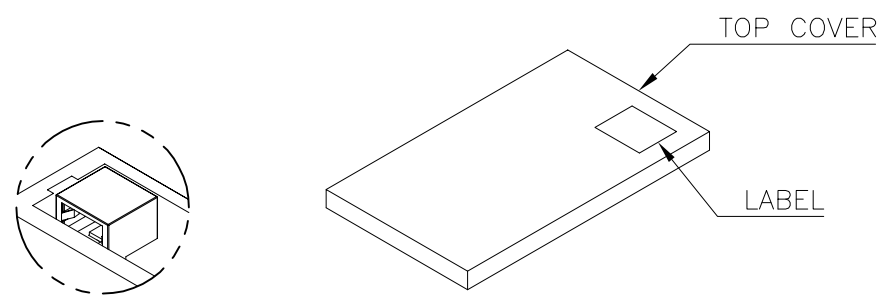
3

2

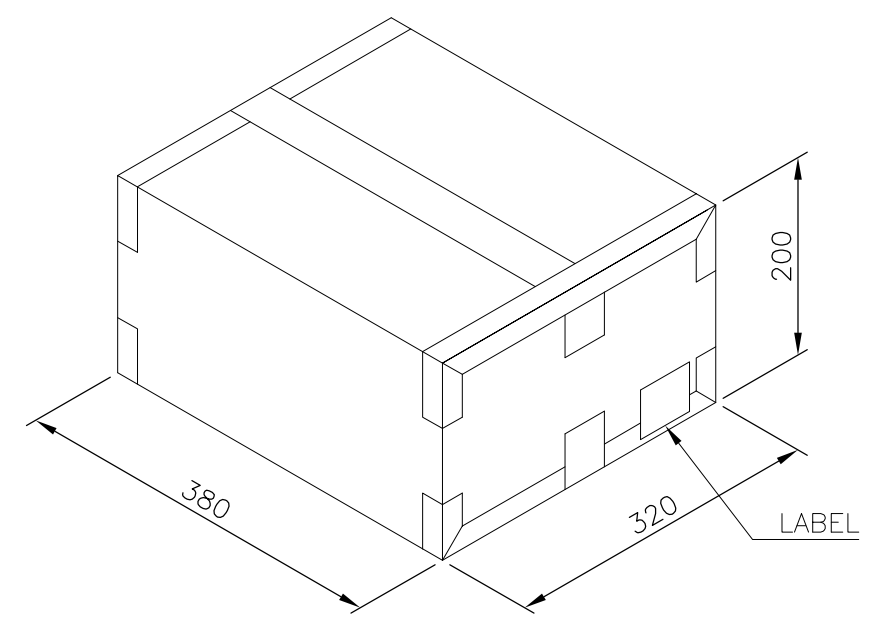
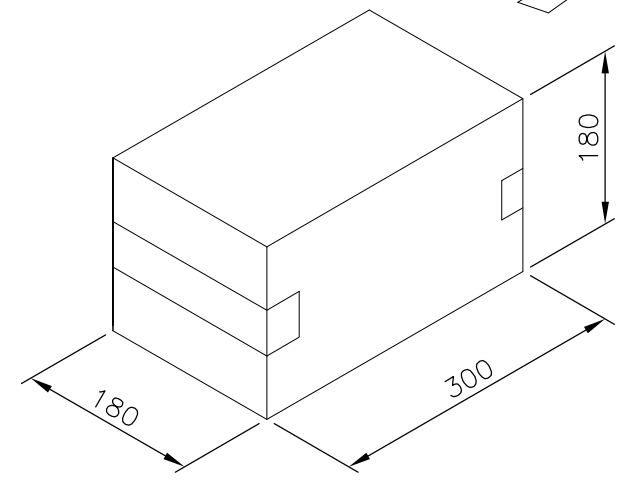
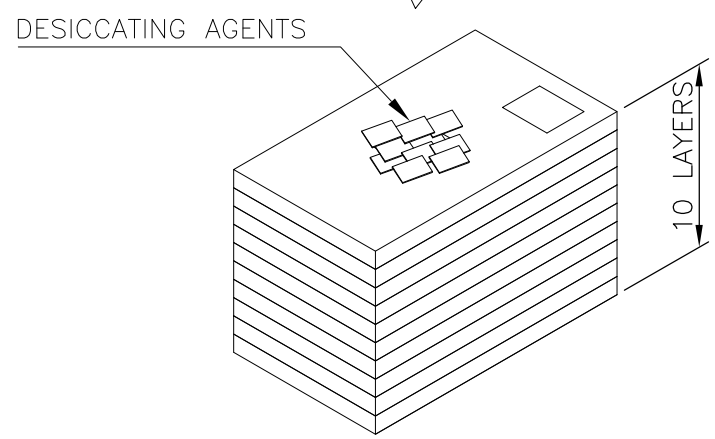
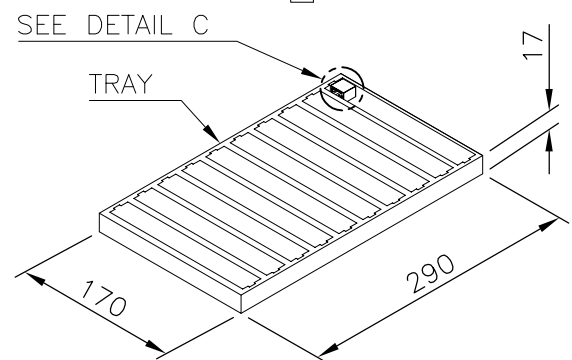
1

THIS DRAWING IS UNPUBLISHED. RELEASED FOR PUBLICATION  
 © COPYRIGHT 2011 BY TYCO ELECTRONICS CORPORATION. ALL RIGHTS RESERVED.

LOC	DIST	REVISIONS				
P	LTR	DESCRIPTION	DATE	DWN	APVD	
		SEE SHEET 1.				




DETAIL C



NOTES:

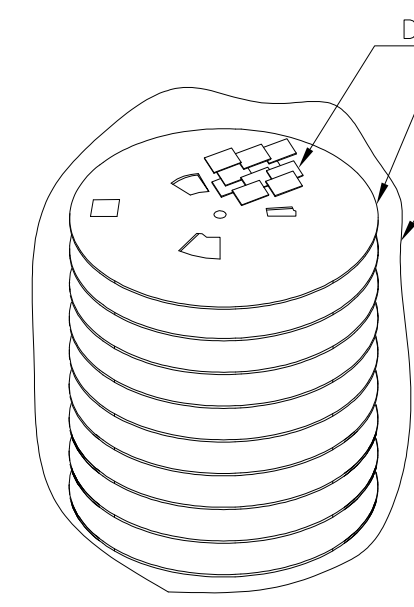
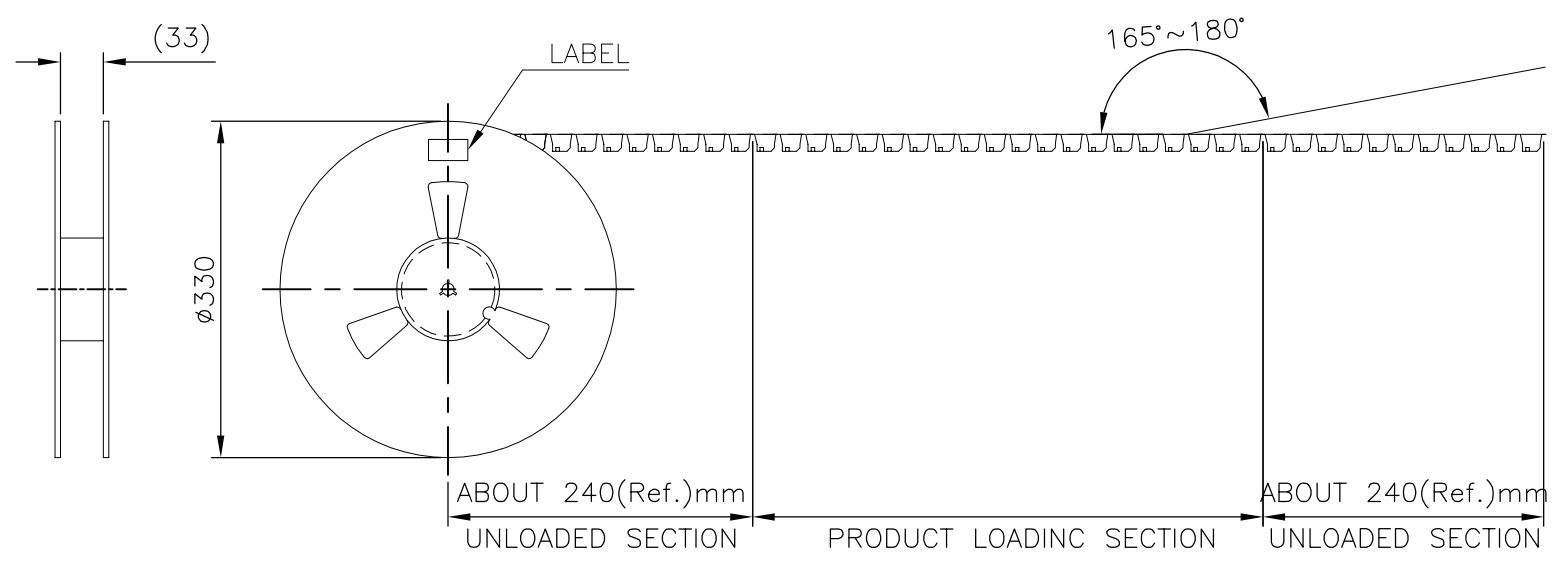
- MATERIAL:  
 TRAY: PVC.  
 BOX: CORRUGATED FIBER.
- DIMENSION: SEE DRAWING
- QUANTITY: SEE TABLE
- WEIGHT: SEE TABLE

9.65Kg	7.65Kg	90	20	1800	1734509-X
GROSS WEIGHT	NET WEIGHT	PCS /TRAY	TRAY /BOX	PCS /BOX	PART NUMBER

THIS DRAWING IS A CONTROLLED DOCUMENT.		DWN	 TE Connectivity NAME MODULAR JACK RJ45 8P8C, WITH SHELL, DIP, REVERSE TYPE		
DIMENSIONS: mm		CHK			
TOLERANCES UNLESS OTHERWISE SPECIFIED:		APVD			
0 PLC ± - 1 PLC ± 0.3 2 PLC ± 0.2 3 PLC ± 0.15 4 PLC ± - ANGLES ± 3°		PRODUCT SPEC			
MATERIAL		FINISH	APPLICATION SPEC	SIZE	RESTRICTED TO
			WEIGHT	CAGE CODE	
			CUSTOMER DRAWING	DRAWING NO	
				A3 00779 C=1734509	
				SCALE	SHEET 3 of 4
					REV A6

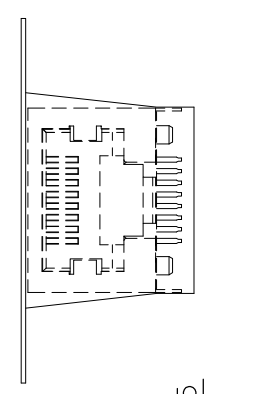
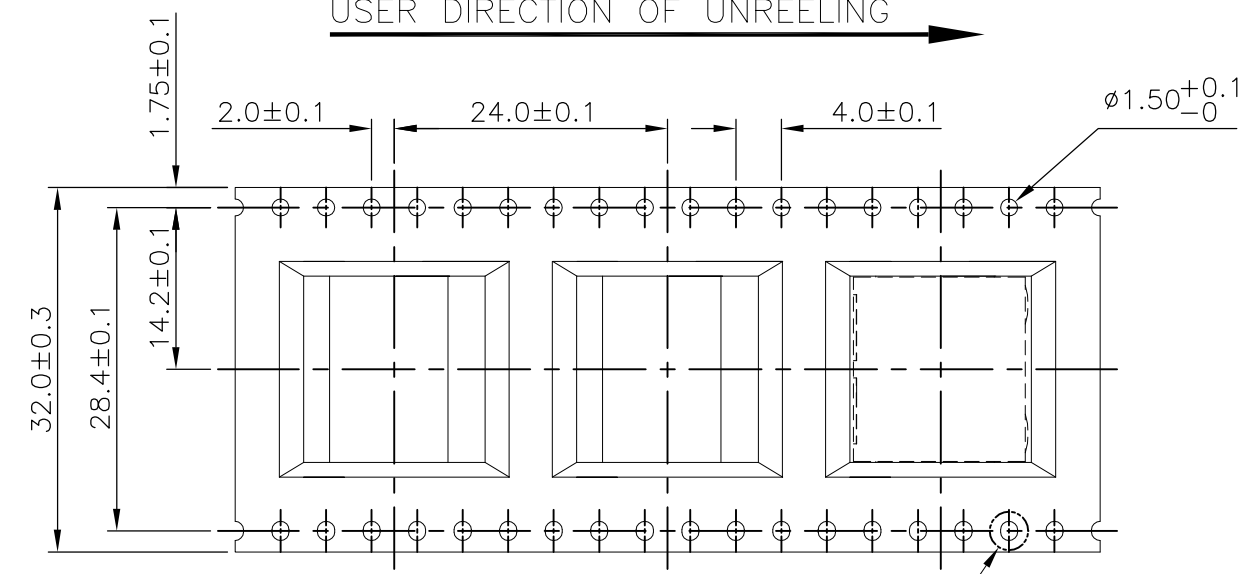
THIS DRAWING IS UNPUBLISHED. RELEASED FOR PUBLICATION  
 © COPYRIGHT 2011 BY TYCO ELECTRONICS CORPORATION. ALL RIGHTS RESERVED.

LOC	DIST	REVISIONS				
P	LTR	DESCRIPTION	DATE	DWN	APVD	
		SEE SHEET 1.				

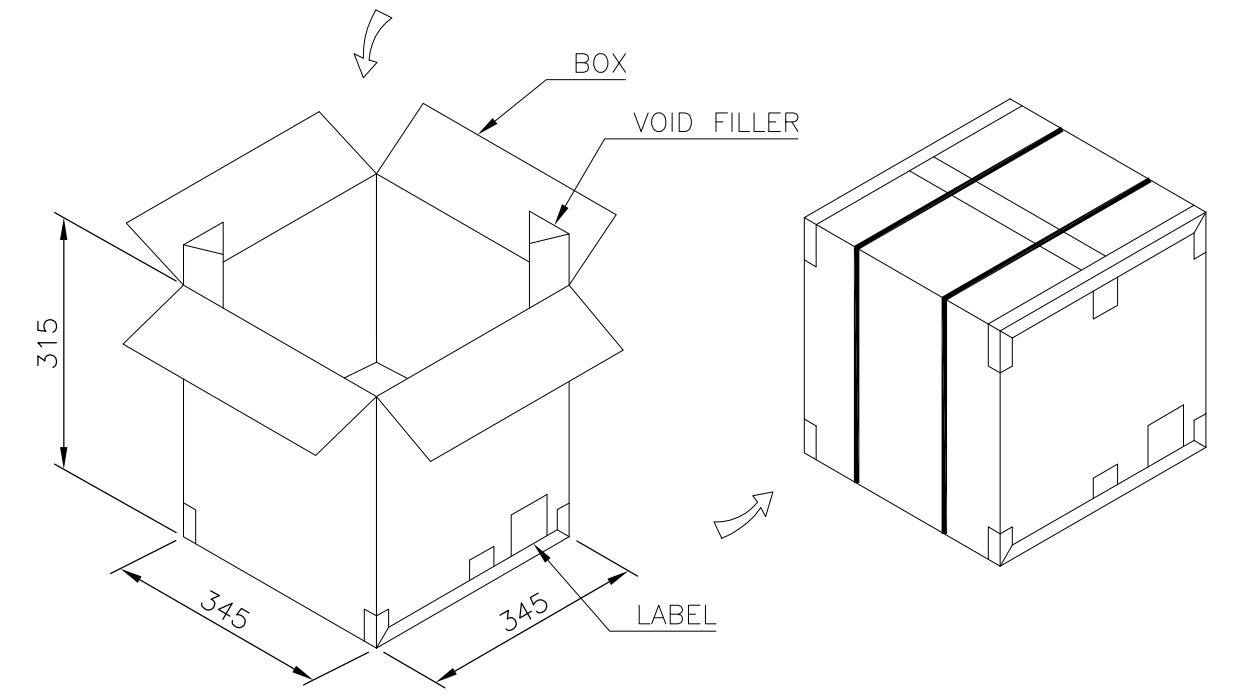


- NOTE:
- EACH BAG SHALL BE INCLUDED:  
\*DESICCANT
  - PEELING STRENGTH: 0.1~1.3N(1~130 GRAMS)  
FOR 12~56mm WIDE CARRIER TAPES
  - PEELING SPEED: 300mm/MINUTES.
  - PACKAGING MATERIAL:
    - COVER TAPE—COMPOSITE OF POLYETHYLENE TEREPHTHALATE (PET)
    - CARRIER—POLYSTYRENE (PS)
    - CARRIER REEL—POLYSTYRENE

USER DIRECTION OF UNREELING →



DETAIL C  
SCALE 4:1



9.20KG	5.77KG	180	8	1440	1-1734509-X
GROSS WEIGHT	NET WEIGHT	PCS /REEL	REEL /BOX	PCS /BOX	PART NUMBER

THIS DRAWING IS A CONTROLLED DOCUMENT.		DWN	TE Connectivity		
DIMENSIONS: mm		CHK			
TOLERANCES UNLESS OTHERWISE SPECIFIED:		APVD	NAME		
0 PLC ±		PRODUCT SPEC	MODULAR JACK RJ45 8P8C, WITH SHELL, DIP, REVERSE TYPE		
1 PLC ±0.3		APPLICATION SPEC	SIZE	CAGE CODE	DRAWING NO
2 PLC ±0.2		WEIGHT	A3	00779	C=1734509
3 PLC ±0.15		CUSTOMER DRAWING	SCALE		SHEET 4 OF 4
4 PLC ±			REV		A6
ANGLES ±3'					
MATERIAL FINISH					

## X-ON Electronics

Largest Supplier of Electrical and Electronic Components

*Click to view similar products for [Modular Connectors / Ethernet Connectors](#) category:*

*Click to view products by [TE Connectivity](#) manufacturer:*

Other Similar products are found below :

[8949-H88/06BLKA/SN](#) [74441-0010/BKN](#) [PHP-6P6C-5](#) [GAX-3-66](#) [GAX-8-62](#) [GDCX-PN-66](#) [GLX-A-44](#) [GLX-N-1010M-BLK](#) [GMX-SMT4-N-88](#) [GSGX-N-2-88](#) [GSGX-N-4-88](#) [GSX-NS2-88-3.05](#) [GSX-NS-88-3.68](#) [PT-108A-8C-UL](#) [PTS-J531-8CS-50UL](#) [A-2014-0-4](#) [GWLX-S9-88-YG](#) [DC-1021-8-WH-6](#) [1300530003](#) [1324640-4](#) [RJ11FTVC2G](#) [RJ11FTVC2N](#) [RJFTVX2SA1G](#) [132764-001](#) [1413235](#) [MPS88RX-5000](#) [E5288-S000K3-L](#) [155302-001](#) [AX101050](#) [AX101063](#) [AX101065](#) [AX101072](#) [AX101307](#) [AX101315](#) [AX101318](#) [AX102271](#) [AX102288](#) [AX102651](#) [AX102660](#) [J0012D21NL](#) [J0026D01ENL](#) [PC4D0018P](#) [8949-B88/6](#) [2-6609208-5](#) [937-SP-3088-2PC-A192](#) [303066VFL](#) [303068V](#) [303088LFLSA](#) [303088SBL](#) [30-8603](#)