

THIS DRAWING IS UNPUBLISHED. RELEASED FOR PUBLICATION  
 © COPYRIGHT - By - ALL RIGHTS RESERVED.

REVISIONS				
P	LTR	DESCRIPTION	DATE	APVD
D	ECO-19-013748		10SEP2019	RR SH

LED SCHEMATIC	
LED1	LED2
GREEN	YELLOW
9-  +10	11-  +12
FOR 1734577-X	

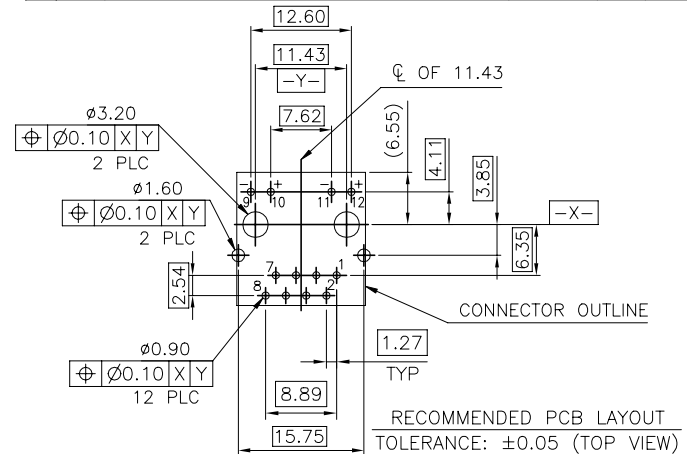
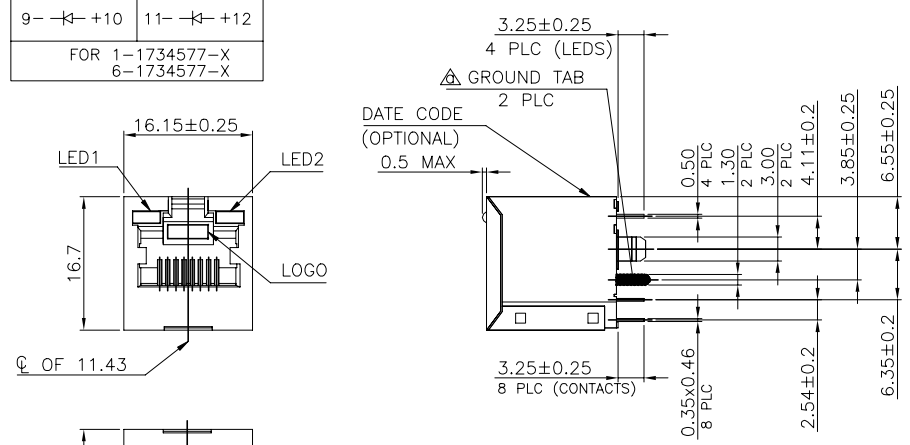
LED SCHEMATIC	
LED1	LED2
GREEN	GREEN
9-  +10	11-  +12
FOR 1-1734577-X 6-1734577-X	

LED SCHEMATIC	
LED1	LED2
RED	RED
GREEN	GREEN
9-  +10	11-  +12
FOR 2-1734577-X	

LED SCHEMATIC	
LED1	LED2
YELLOW	GREEN
ORANGE	
9-  +10	11-  +12
FOR 4-1734577-1	

LED SCHEMATIC	
LED1	LED2
RED	RED
YELLOW	GREEN
9-  +10	11-  +12
FOR 5-1734577-X	

### MODULAR JACK WITH LED



RECOMMENDED PCB LAYOUT  
 TOLERANCE: ±0.05 (TOP VIEW)

PA9T	WITH	GREEN	GREEN	0.152µm [6µ"]	8-1734577-1
OBSOLETE	WITH	RED/ GREEN	RED/ YELLOW	1.27µm [50µ"]	5-1734577-4
		GREEN/ ORANGE	YELLOW	0.762µm [30µ"]	4-1734577-1
		RED/ GREEN	RED/ GREEN	1.27µm [50µ"]	2-1734577-4
OBSOLETE	WITH	RED/ GREEN	RED/ GREEN	0.762µm [30µ"]	2-1734577-3
				0.381µm [15µ"]	2-1734577-2
				0.152µm [6µ"]	2-1734577-1
OBSOLETE	WITHOUT	GREEN	GREEN	0.762µm [30µ"]	6-1734577-3
				1.27µm [50µ"]	1-1734577-4
				0.381µm [15µ"]	4-1734577-2
OBSOLETE	WITH	GREEN	GREEN	0.152µm [6µ"]	1-1734577-1
				1.27µm [50µ"]	1734577-4
				0.762µm [30µ"]	1734577-3
OBSOLETE	WITH	YELLOW	GREEN	0.381µm [15µ"]	1734577-2
				0.152µm [6µ"]	1734577-1
				1.27µm [50µ"]	1734577-4

### RECOMMENDED SUGGESTED PANEL CUTOUT

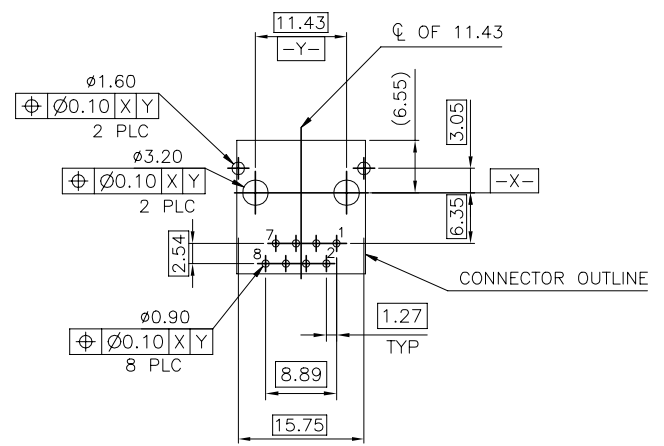
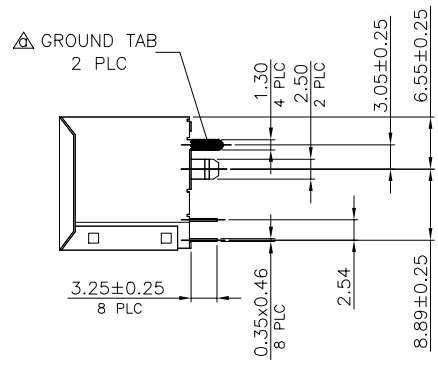
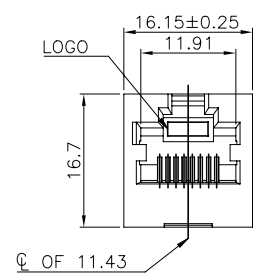
- NOTE:
- MATERIAL:
    - HOUSING: (SEE TABLE), WITH 30% GF, UL94 V-0, BLACK COLOR.
    - CONTACTS: PHOSPHOR BRONZE.
    - SHELL: BRASS.
    - LED SOLDER TAIL: STEEL.
  - FINISH:
    - CONTACTS: (SEE TABLE) GOLD PLATED ON CONTACT AREA, GOLD FLASH ON SOLDER TAIL AREA, 1.27µm [50µ"] MIN. NICKEL UNDERPLATING OVERALL.
    - SHELL: 0.508µm [20µ"] MIN. NICKEL PLATED.
      - POST DIPPED WITH TIN ON PCB GROUND TABS.
      - LED SOLDER TAIL: 2.032µm [80µ"] MIN. BRIGHT-TIN PLATED.
  - LED MUST BE REFLOW COMPATIBLE TO FOLLOWING TEMPERATURE PROFILE (FOR 1 CYCLE): ABOVE 160°C FOR 120 SECONDS, PEAKING AT 245°C FOR 20~40 SECONDS.
  - LED DEFECT RATE IS 6000PPM MAX. AFTER IR REFLOW PROCESS AS NOTE 3.
  - WAVE SOLDER CAPABLE TO 265°C PER TE SPEC 109-202, CONDITION B.
  - OBSOLETE PARTS: OBSOLETE CIS STREAMLINING PER D.RENAUD/D.SINISI

THIS DRAWING IS A CONTROLLED DOCUMENT.		DWN E. HSING 21JUL2009	TE Connectivity	
		CHK S. CHIEN 21JUL2009		
		APVD W. KODAMA 21JUL2009	NAME MODULAR JACK CONNECTOR RJ45, 8P8C, VERTICAL, DIP TYPE.	
DIMENSIONS: mm		PRODUCT SPEC 108-57527		RESTRICTED TO
TOLERANCES UNLESS OTHERWISE SPECIFIED: 0 PLC ± 1 PLC ±0.3 2 PLC ±0.2 3 PLC ±0.15 4 PLC ± ANGLES ±3'		APPLICATION SPEC		
MATERIAL SEE NOTE		WEIGHT 6.55 GRAMS		SIZE A3
		CUSTOMER DRAWING		CAGE CODE 00779
				DRAWING NO 1734577
				SCALE 1:1
				SHEET 1 OF 6
				REV D1

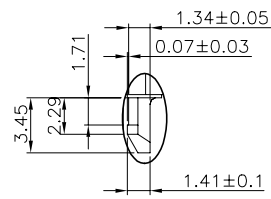
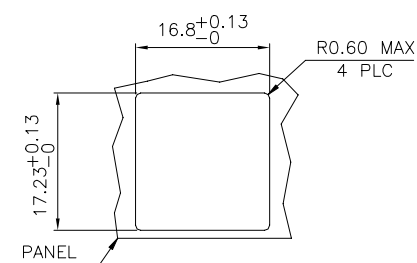
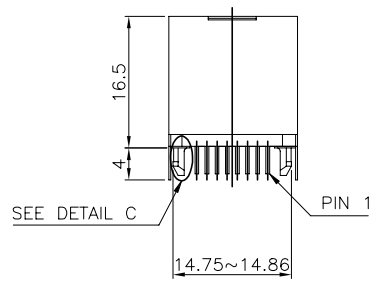
THIS DRAWING IS UNPUBLISHED. RELEASED FOR PUBLICATION  
 © COPYRIGHT - By - ALL RIGHTS RESERVED.

REVISIONS					
P	LTR	DESCRIPTION	DATE	DWN	APVD
-	-	SEE SHEET 1	-	-	-

MODULAR JACK WITHOUT LED



RECOMMENDED PCB LAYOUT  
 TOLERANCE: ±0.05 (TOP VIEW)



NOTE:

- MATERIAL:  
 HOUSING: PA46, WITH 30% GF, UL94 V-0, BLACK COLOR.  
 CONTACTS: PHOSPHOR BRONZE.  
 SHELL: BRASS.
- FINISH:  
 CONTACTS: (SEE TABLE) GOLD PLATED ON CONTACT AREA,  
 GOLD FLASH ON SOLDER TAIL,  
 WITH ENTIRE CONTACT UNDERPLATED  
 1.27µm [50µ"] MIN. NICKEL.  
 SHELL: 0.508µm [20µ"] MIN. NICKEL PLATED.  
 POST DIPPED WITH TIN ON PCB GROUND TABS.
- WAVE SOLDER CAPABLE TO 265°C PER TE SPEC 109-202, CONDITION B.
- OBSOLETE PARTS: OBSOLETE CIS STREAMLINING PER D.RENAUD/D.SINISI

1.27µm [50µ"]	3-1734577-5
1.27µm [50µ"]	3-1734577-4
0.762µm [30µ"]	3-1734577-3
0.381µm [15µ"]	3-1734577-2
0.152µm [6µ"]	3-1734577-1
MIN. GOLD THICKNESS	PART NUMBER

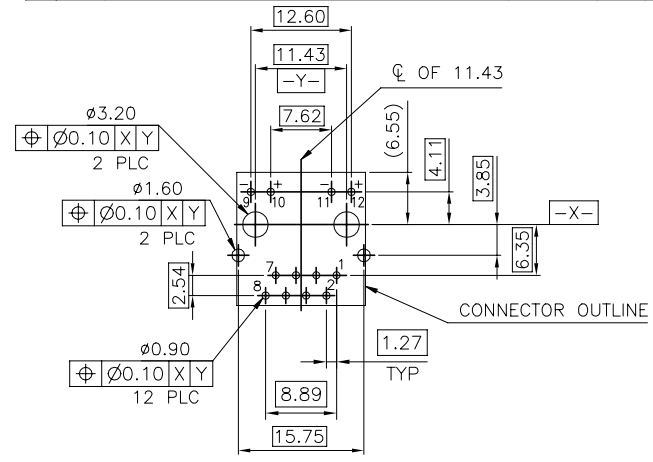
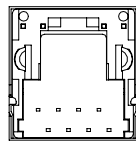
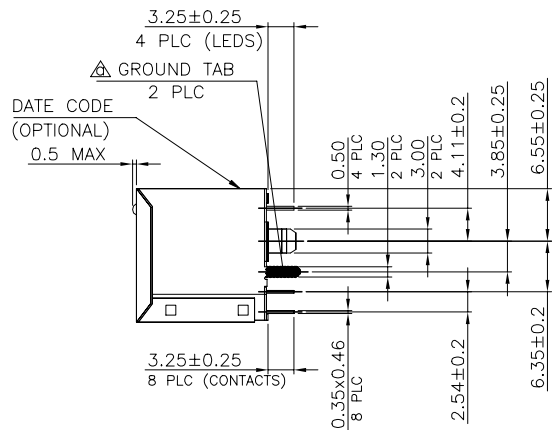
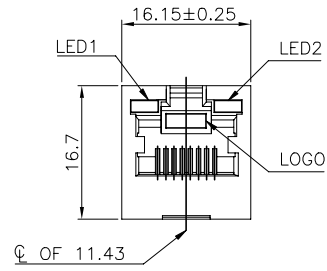
DIMENSIONS:		TOLERANCES UNLESS OTHERWISE SPECIFIED:		THIS DRAWING IS A CONTROLLED DOCUMENT.		DWN		21JUL2009		
mm		0 PLC	±	E. HSING		TE Connectivity				
		1 PLC	±0.3	CHK	21JUL2009					
		2 PLC	±0.2	S. CHIEN						
		3 PLC	±0.15	APVD	21JUL2009					
		4 PLC	±	W. KODAMA		NAME		MODULAR JACK CONNECTOR		
		ANGLES	±3'			PRODUCT SPEC		RJ45, 8P8C, VERTICAL, DIP TYPE.		
						APPLICATION SPEC		108-57527		
MATERIAL	FINISH					SIZE	CAGE CODE	DRAWING NO	RESTRICTED TO	
SEE NOTE	SEE NOTE					WEIGHT	A3	00779	G=1734577	-
						CUSTOMER DRAWING	SCALE	1:1	SHEET	2 OF 6
									REV	D1

THIS DRAWING IS UNPUBLISHED. RELEASED FOR PUBLICATION  
 © COPYRIGHT - By - ALL RIGHTS RESERVED.

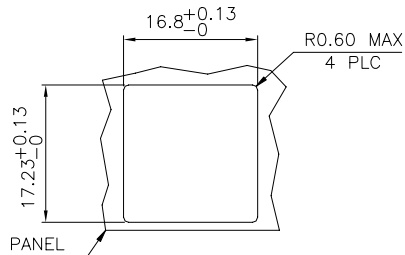
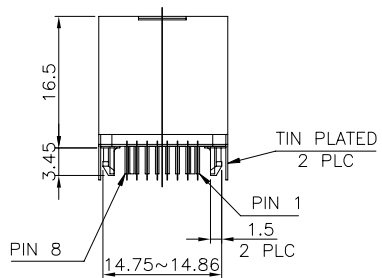
REVISIONS				
P	LTR	DESCRIPTION	DATE	APVD
-	-	SEE SHEET 1	-	-

LED SCHEMATIC	
LED1	LED2
GREEN	YELLOW
9- ← +10	11- ← +12

MODULAR JACK WITH LED



RECOMMENDED PCB LAYOUT  
 TOLERANCE: ±0.05 (TOP VIEW)



RECOMMENDED SUGGESTED PANEL CUTOUT

NOTE:

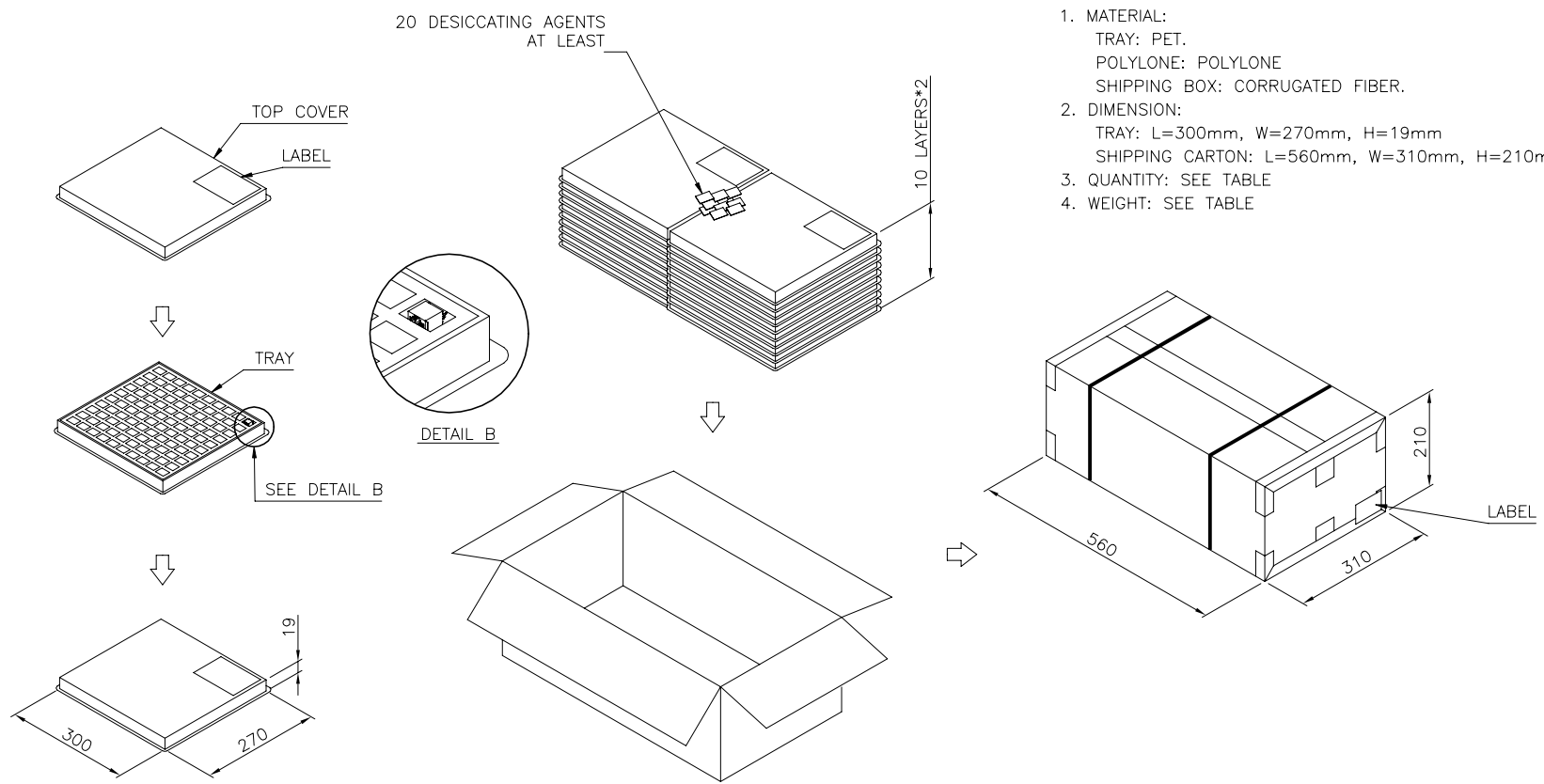
- MATERIAL:
  - HOUSING: PA46, WITH 30% GF, UL94 V-0, BLACK COLOR.
  - CONTACTS: PHOSPHOR BRONZE.
  - SHELL: BRASS.
  - LED SOLDER TAIL: STEEL.
- FINISH:
  - CONTACTS: (SEE TABLE) GOLD PLATED ON CONTACT AREA, GOLD FLASH ON SOLDER TAIL AREA, 1.27um [50u"] MIN. NICKEL UNDERPLATING OVERALL. SHELL: 0.508um [20um"] MIN. NICKEL PLATED.
    - a POST DIPPED WITH TIN ON PCB GROUND TABS.
  - LED SOLDER TAIL: 2.032um [80um"] MIN. BRIGHT-TIN PLATED.
- LED MUST BE REFLOW COMPATIBLE TO FOLLOWING TEMPERATURE PROFILE (FOR 1 CYCLE): ABOVE 160°C FOR 120 SECONDS, PEAKING AT 245°C FOR 20~40 SECONDS.
- LED DEFECT RATE IS 6000PPM MAX. AFTER IR REFLOW PROCESS AS NOTE 3.
- WAVE SOLDER CAPABLE TO 265°C PER TE SPEC 109-202, CONDITION B.
- OBSOLETE PARTS: OBSOLETE CIS STREAMLINING PER D.RENAUD/D.SINISI

YELLOW	GREEN	0.762um [30um"]	7-1734577-3
LED2	LED1	MIN. GOLD THICKNESS	PART NUMBER
INDICATOR COLOR			

THIS DRAWING IS A CONTROLLED DOCUMENT.		DWN	21JUL2009	TE Connectivity	
		CHK	21JUL2009	MODULAR JACK CONNECTOR	
		APVD	21JUL2009	RJ45, 8P8C, VERTICAL, DIP TYPE.	
DIMENSIONS: mm		TOLERANCES UNLESS OTHERWISE SPECIFIED:		NAME	
		0 PLC ± 1 PLC ±0.3 2 PLC ±0.2 3 PLC ±0.15 4 PLC ± ANGLES ±3°		PRODUCT SPEC	
MATERIAL		FINISH		APPLICATION SPEC	
SEE NOTE		SEE NOTE		WEIGHT	
		CUSTOMER DRAWING		RESTRICTED TO	
		SIZE	CAGE CODE	DRAWING NO	
		A3	00779	C=1734577	
		SCALE	1:1	SHEET	3 of 6
		REV		D1	

THIS DRAWING IS UNPUBLISHED. RELEASED FOR PUBLICATION  
 © COPYRIGHT - By - ALL RIGHTS RESERVED.

REVISIONS					
P	LTR	DESCRIPTION	DATE	DWN	APVD
-	-	SEE SHEET 1	-	-	-



- NOTES:
- MATERIAL:  
 TRAY: PET.  
 POLYLONE: POLYLONE  
 SHIPPING BOX: CORRUGATED FIBER.
  - DIMENSION:  
 TRAY: L=300mm, W=270mm, H=19mm  
 SHIPPING CARTON: L=560mm, W=310mm, H=210mm
  - QUANTITY: SEE TABLE
  - WEIGHT: SEE TABLE

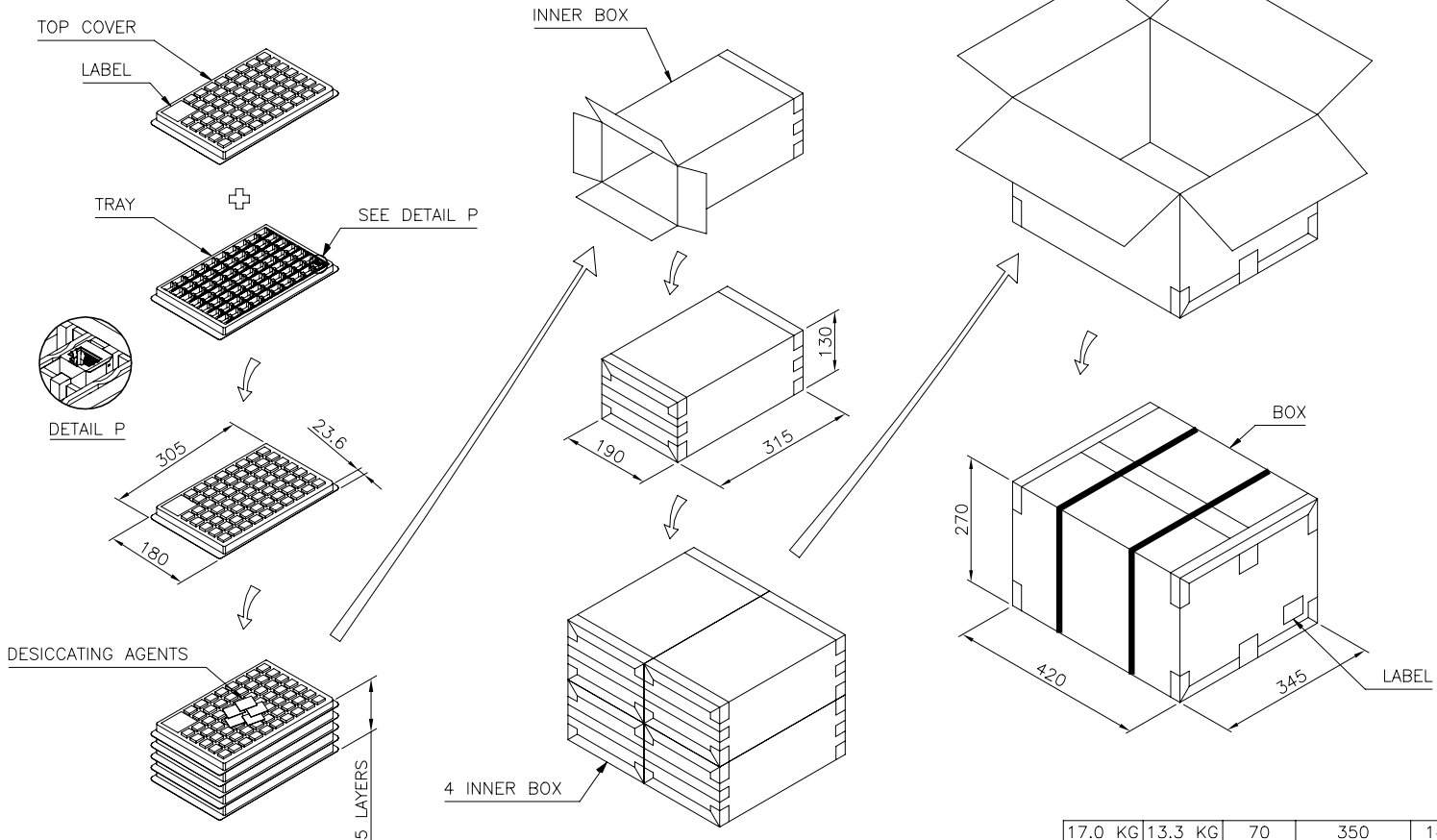
15 KG	13.3 KG	100	20	2000
GROSS WEIGHT	NET WEIGHT	PCS/TRAY	TRAY/BOX	PCS/BOX

THIS DRAWING IS A CONTROLLED DOCUMENT.		DWN B. HSING 21JUL2009	TE Connectivity	
		CHK S. CHIEN 21JUL2009		
		APVD W. KODAMA 21JUL2009		
DIMENSIONS: mm 		NAME		MODULAR JACK CONNECTOR RJ45, 8P8C, VERTICAL, DIP TYPE.
TOLERANCES UNLESS OTHERWISE SPECIFIED: 0 PLC ± - 1 PLC ± 0.3 2 PLC ± 0.2 3 PLC ± 0.15 4 PLC ± - ± 3' ANGLES		PRODUCT SPEC		
MATERIAL		APPLICATION SPEC		RESTRICTED TO
SEE NOTE		FINISH		SEE NOTE
		WEIGHT		SIZE
		CUSTOMER DRAWING		A3 00779 C=1734577
		SCALE		DRAWING NO
		1:1		1734577
		SHEET		REV
		4 OF 6		D1

THIS DRAWING IS UNPUBLISHED. RELEASED FOR PUBLICATION  
 © COPYRIGHT - By - ALL RIGHTS RESERVED.

REVISIONS					
P	LTR	DESCRIPTION	DATE	DWN	APVD
-	-	SEE SHEET 1	-	-	-

PACKAGE ONLY FOR 6-1734577-3



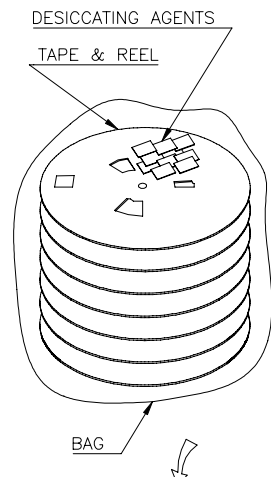
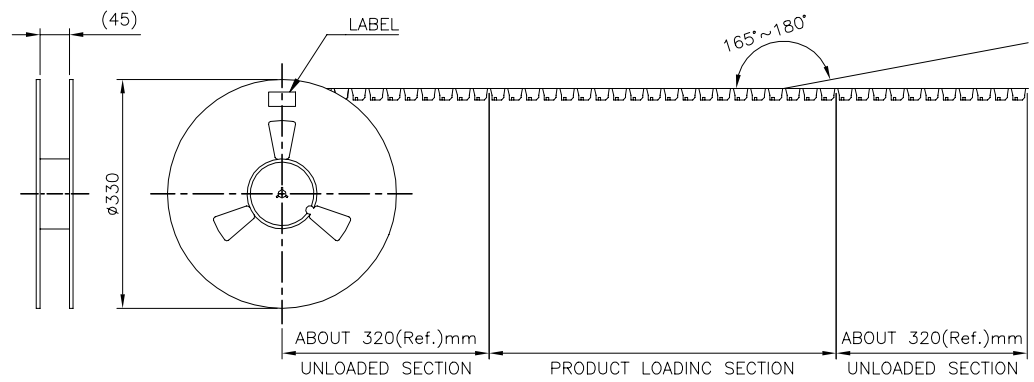
- NOTES:
- MATERIAL:  
 TRAY: PET.  
 POLYLONE: POLYLONE  
 BOX: CORRUGATED FIBER.
  - DIMENSION:  
 TRAY: L=308mm, W=180mm, H=23.6mm  
 INNER BOX: L=315mm, W=190mm, H=130mm  
 BOX: L=420mm, W=345mm, H=275mm
  - QUANTITY: SEE TABLE
  - WEIGHT: SEE TABLE

17.0 KG	13.3 KG	70	350	1400	6-1734577-3
GROSS WEIGHT	NET WEIGHT	PCS/TRAY	TRAY/INNER BOX	PCS/BOX	PART NUMBER

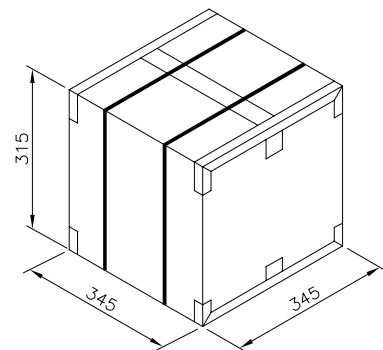
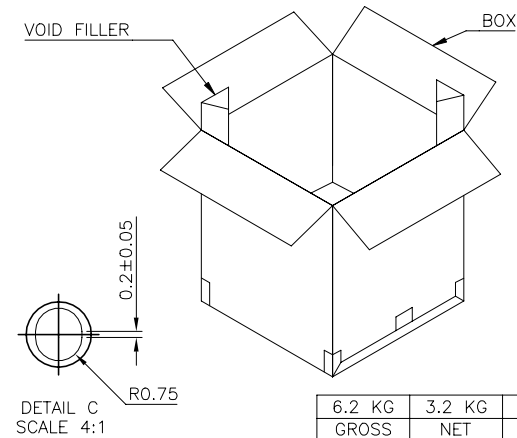
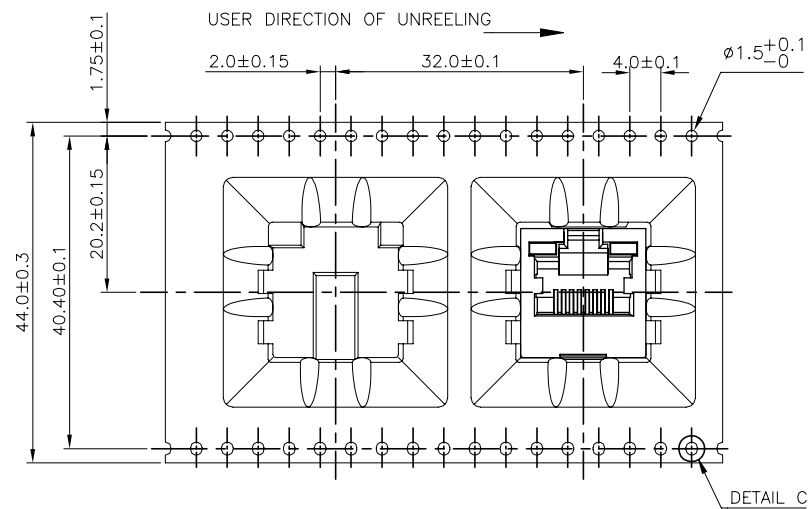
THIS DRAWING IS A CONTROLLED DOCUMENT.		DWN E. HSING 21JUL2009	TE Connectivity NAME MODULAR JACK CONNECTOR RJ45, 8P8C, VERTICAL, DIP TYPE.		
DIMENSIONS: mm		CHK S. CHIEN 21JUL2009			
TOLERANCES UNLESS OTHERWISE SPECIFIED: 0 PLC ± - 1 PLC ± 0.3 2 PLC ± 0.2 3 PLC ± 0.15 4 PLC ± - ANGLES ± 3°		APVD W. KODAMA 21JUL2009			
MATERIAL SEE NOTE		FINISH SEE NOTE			
		APPLICATION SPEC -	SIZE A3	CAGE CODE 00779	DRAWING NO C=1734577
CUSTOMER DRAWING		WEIGHT -	RESTRICTED TO -	SCALE 1:1	SHEET 5 of 6
		REV D1			

THIS DRAWING IS UNPUBLISHED. RELEASED FOR PUBLICATION  
 © COPYRIGHT - By - ALL RIGHTS RESERVED.

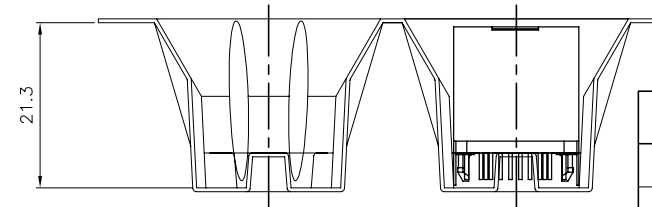
REVISIONS					
P	LTR	DESCRIPTION	DATE	DWN	APVD
-	-	SEE SHEET 1	-	-	-



- NOTE:
- PACKAGING MATERIAL:
    - COVER TAPE: COMPOSITE OF POLYETHYLENE TEREPHTHALATE (PET)
    - CARRIER: POLYSTYRENE (PS)
    - CARRIER REEL: POLYSTYRENE
    - BAG: PET
    - BOX: CORRUGATED FIBER.
  - EACH BAG SHALL BE INCLUDED:
    - \*DESICCANT
  - PEELING STRENGTH: 0.1~1.3N(1~130 GRAMS) FOR 12~56mm WIDE CARRIER TAPES
  - PEELING SPEED: 300mm/MINUTES.



6.2 KG	3.2 KG	80	6	480	8-1734577-1
GROSS WEIGHT	NET WEIGHT	PCS/ REEL	REEL/ BOX	PCS/ BOX	PART NUMBER



THIS DRAWING IS A CONTROLLED DOCUMENT.		DWN E. HSING 21JUL2009	TE Connectivity		
DIMENSIONS: mm		CHK S. CHIEN 21JUL2009			
TOLERANCES UNLESS OTHERWISE SPECIFIED:		APVD W. KODAMA 21JUL2009	NAME		
0 PLC ± - 1 PLC ± 0.3 2 PLC ± 0.2 3 PLC ± 0.15 4 PLC ± - ANGLES ± 3°		PRODUCT SPEC 108-57527		MODULAR JACK CONNECTOR RJ45, 8P8C, VERTICAL, DIP TYPE.	
MATERIAL SEE NOTE		APPLICATION SPEC		SIZE A3	RESTRICTED TO
FINISH SEE NOTE		WEIGHT 0.000000		CAGE CODE 00779	DRAWING NO C=1734577
		CUSTOMER DRAWING		SCALE 1:1	SHEET 6 OF 6
				REV D1	

## X-ON Electronics

Largest Supplier of Electrical and Electronic Components

*Click to view similar products for [Modular Connectors / Ethernet Connectors](#) category:*

*Click to view products by [TE Connectivity](#) manufacturer:*

Other Similar products are found below :

[8949-H88/06BLKA/SN](#) [74441-0010/BKN](#) [MP1010RX-1000](#) [MP44RX-1000](#) [PHJ-4P4C-1-V-4](#) [PHP-6P6C-5](#) [GAX-3-66](#) [GAX-8-62](#) [GDCX-PA-66-50](#) [GDCX-PN-64](#) [GDCX-PN-66](#) [GDCX-PN-66-50](#) [GDLX-A-66](#) [GDLX-N-66](#) [GDLX-S-66](#) [GDLX-S-88K](#) [GDTX-S-88-50](#) [GDX-PA-1010](#) [GLX-N-1010M-BLK](#) [GLX-S-88M-BLK](#) [GMX-N-1010](#) [GMX-S-1010](#) [GMX-S-66](#) [GMX-SMT4-N-88](#) [GPX-2-64](#) [GSGX-N-2-88](#) [GSGX-N-4-88](#) [GSX-NS2-88-3.05](#) [GSX-NS2-88-3.05-50](#) [GSX-NS-88-3.05-50](#) [PT-108A-8C-UL](#) [PT-J951-8C](#) [PTS-J531-8CS-50UL](#) [1-1775629-2](#) [A-2014-0-4](#) [GWLX-S-88-GR](#) [GWLX-S9-88-YG](#) [DC-1021-8-WH-6](#) [1300530003](#) [1324640-4](#) [RJ11FTVC2G](#) [RJ11FTVC2N](#) [RJFTVX2SA1G](#) [132764-001](#) [1413235](#) [MP88X-1000](#) [MPS88RX-5000](#) [E5288-S000K3-L](#) [E5908-15A242-L](#) [155302-001](#)