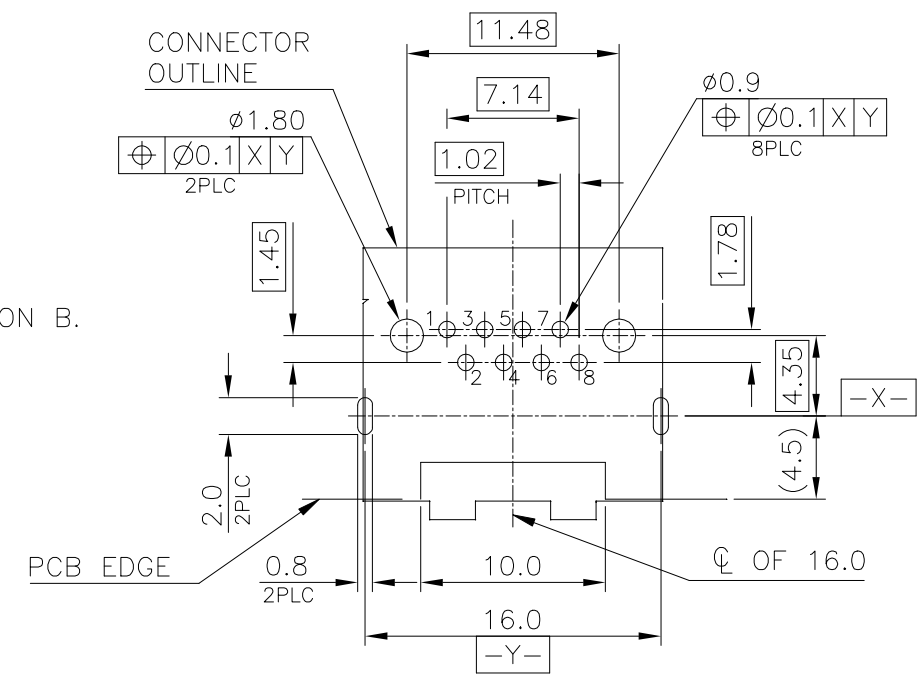
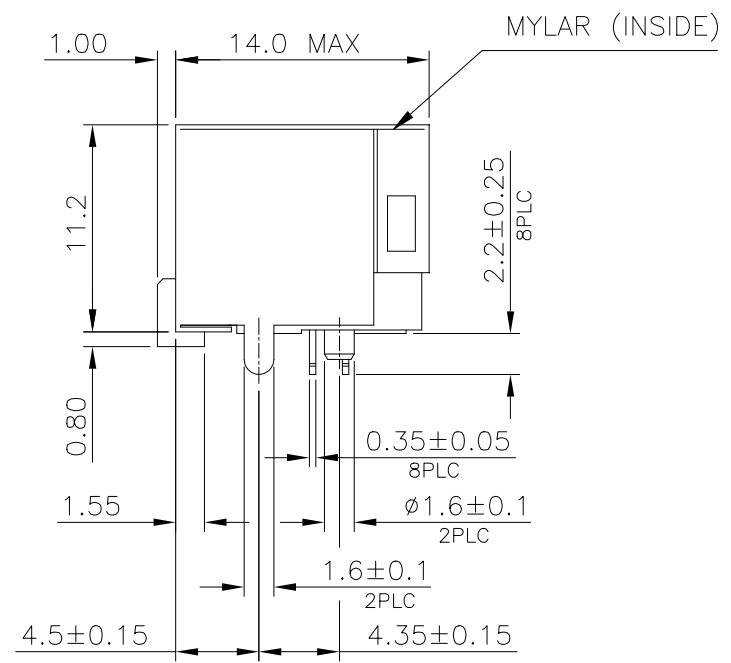
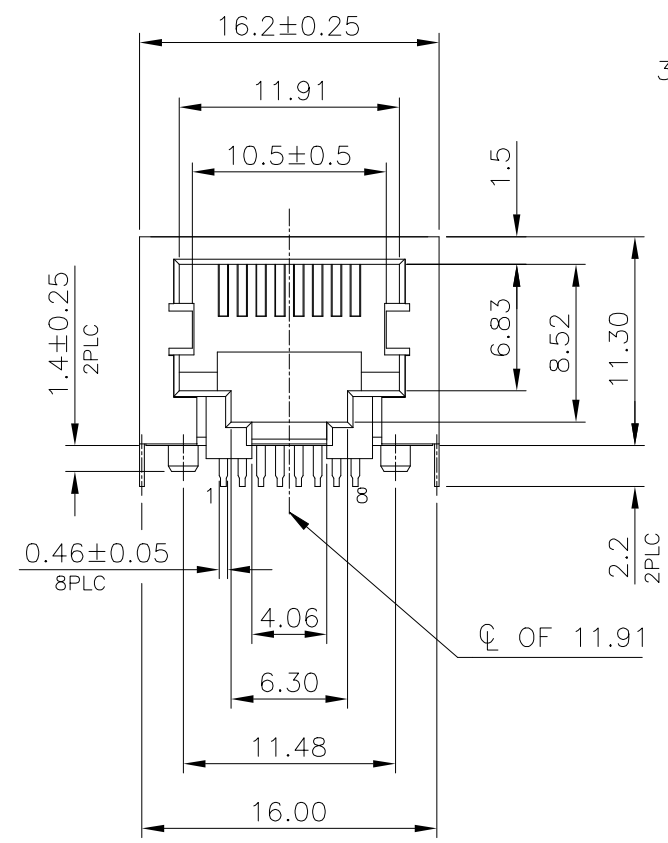


THIS DRAWING IS UNPUBLISHED. RELEASED FOR PUBLICATION
 © COPYRIGHT - By - ALL RIGHTS RESERVED.

REVISIONS				
P	LTR	DESCRIPTION	DATE	APVD
D		ECO-18-005656	12APR2018	LL SH

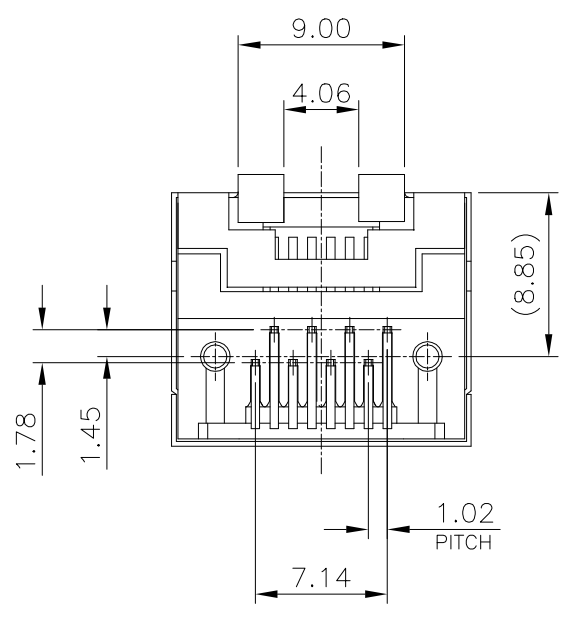
- NOTES:
- MATERIAL:
 - HOUSING & INSERT HOUSING: LCP, WITH 30% G.F, UL94 V-0; COLOR: BLACK
 - CONTACT: PHOSPHOR BRONZE.
 - SHELL: BRASS.
 - MYLAR: SILICONE POLYMER.
 - FINISH:
 - CONTACT: (SEE TABLE) GOLD PLATED ON CONTACT AREA. GOLD FLASH ON SOLDER TAIL. 1.27um [50u"] MIN. NICKEL UNDERPLATED OVERALL.
 - SHELL: 0.508um [20u"] MIN. NICKEL PLATED.
 - WAVE SOLDER CAPABLE TO 265°C PER TE SPEC. 109-202, CONDITION B.


LOGO & DATE CODE



RECOMMENDED PCB LAYOUT (COMPONENT SIDE)
 TOLERANCE: ±0.05
 PCB THICKNESS: 1.6mm

	1.27um [50u"]	1734579-4
OBSOLETE	0.762um [30u"]	1734579-3
OBSOLETE	0.381um [15u"]	1734579-2
OBSOLETE	0.152um [6u"]	1734579-1
	MIN. GOLD THICKNESS	PART NUMBER



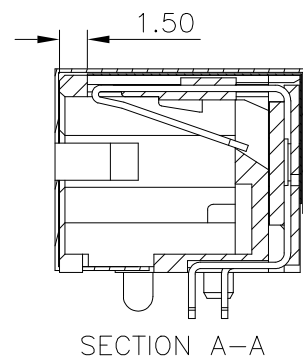
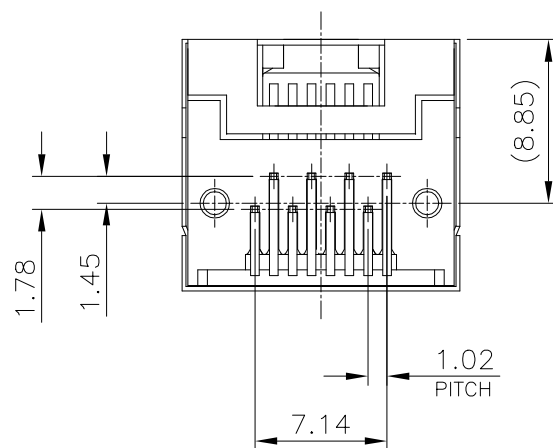
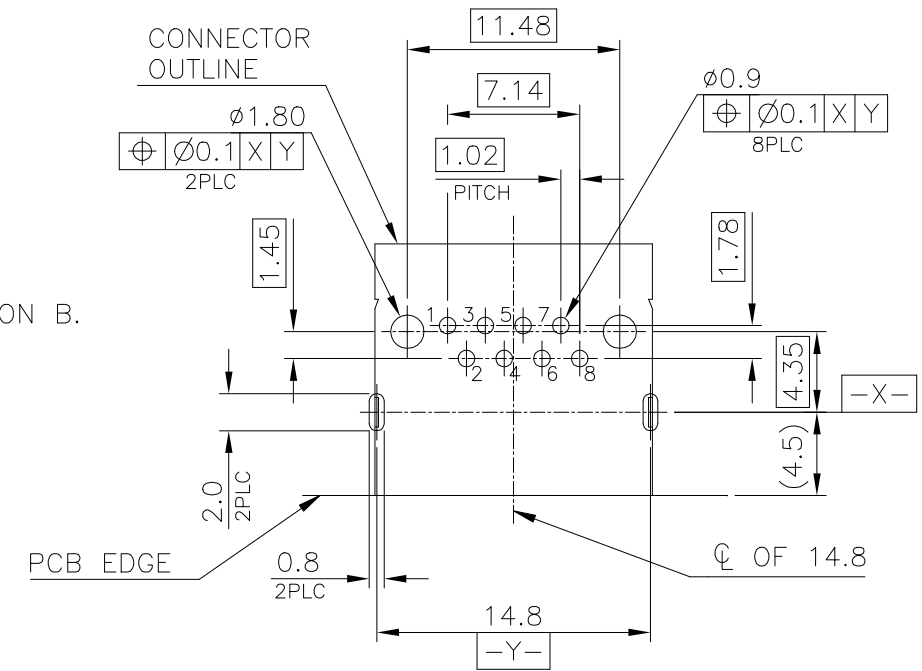
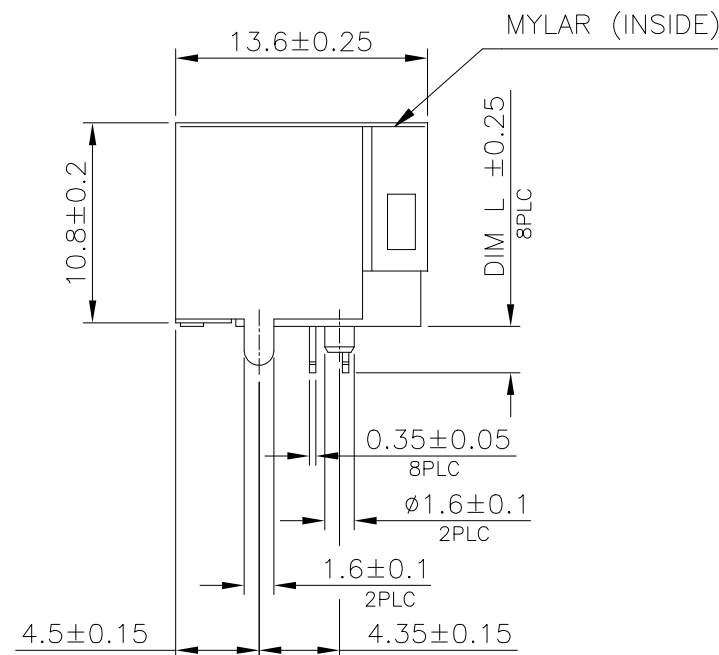
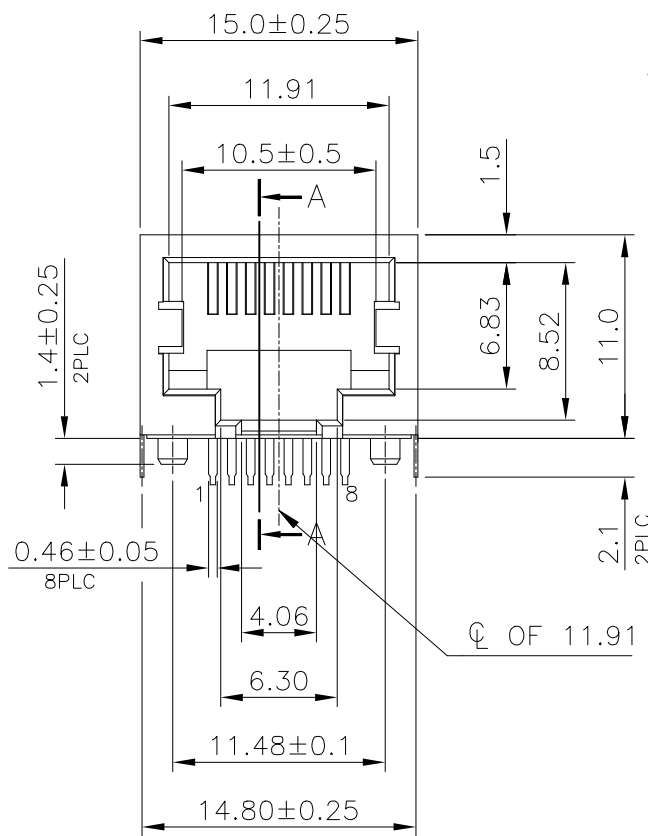
THIS DRAWING IS A CONTROLLED DOCUMENT.		DWN	B. HSING	27OCT2006	 TE Connectivity											
DIMENSIONS: mm		CHK	S. CHIEN	27OCT2006												
TOLERANCES UNLESS OTHERWISE SPECIFIED:		APVD	W. KODAMA	27OCT2006												
<table border="0"> <tr><td>0 PLC</td><td>± -</td></tr> <tr><td>1 PLC</td><td>± 0.3</td></tr> <tr><td>2 PLC</td><td>± 0.2</td></tr> <tr><td>3 PLC</td><td>± 0.15</td></tr> <tr><td>4 PLC</td><td>± -</td></tr> <tr><td>ANGLES</td><td>± 3'</td></tr> </table>		0 PLC	± -	1 PLC		± 0.3	2 PLC	± 0.2	3 PLC	± 0.15	4 PLC	± -	ANGLES	± 3'	NAME	
0 PLC	± -															
1 PLC	± 0.3															
2 PLC	± 0.2															
3 PLC	± 0.15															
4 PLC	± -															
ANGLES	± 3'															
MATERIAL		APPLICATION SPEC		MODULAR JACK CONNECTOR												
SEE NOTE		WEIGHT		RJ45, 8P8C												
		CUSTOMER DRAWING		SHIELDED, TAB DOWN, DIP TYPE												
		SIZE	A3	CAGE CODE	00779											
		DRAWING NO	C=1734579		RESTRICTED TO											
		SCALE	1:1	SHEET	1 OF 4											
		REV	D													

P	LTR	DESCRIPTION	DATE	DWN	APVD
-	-	SEE SHEET 1	-	-	-

NOTES:

1. MATERIAL:
 - 1.1 HOUSING & INSERT HOUSING: LCP, WITH 30% G.F, UL94 V-0; COLOR: BLACK
 - 1.2 CONTACT: PHOSPHOR BRONZE.
 - 1.3 SHELL: BRASS.
 - 1.4 MYLAR: SILICONE POLYMER.
2. FINISH:
 - 2.1 CONTACT: (SEE TABLE) GOLD PLATED ON CONTACT AREA. GOLD FLASH ON SOLDER TAIL. 1.27um [50u"] MIN. NICKEL UNDERPLATED OVERALL.
 - 2.2 SHELL: 0.508um [20u"] MIN. NICKEL PLATED.
3. WAVE SOLDER CAPABLE TO 265°C PER TE SPEC. 109-202, CONDITION B.

LOGO & DATE CODE



OBSOLETE	2.5	1.27um [50u"]	2-1734579-4
OBSOLETE	3.2	1.27um [50u"]	4-1734579-6
OBSOLETE	2.5	1.27um [50u"]	1-1734579-4
OBSOLETE		0.762um [30u"]	4-1734579-3
OBSOLETE		0.381um [15u"]	4-1734579-2
OBSOLETE		0.152um [6u"]	4-1734579-1
	DIM L	MIN. GOLD THICKNESS	PART NUMBER

THIS DRAWING IS A CONTROLLED DOCUMENT.		DWN	B. HSING	270CT2006
DIMENSIONS: mm		CHK	S. CHIEN	270CT2006
TOLERANCES UNLESS OTHERWISE SPECIFIED:		APVD	W. KODAMA	270CT2006
0 PLC ± -		NAME		
1 PLC ± 0.3		108-57527		
2 PLC ± 0.2		APPLICATION SPEC		
3 PLC ± 0.15		-		
4 PLC ± -		WEIGHT 2.85 GRAMS		
ANGLES ± 3'		CUSTOMER DRAWING		
MATERIAL SEE NOTE		FINISH SEE NOTE		
		SCALE 1:1		
		SHEET 2 OF 4		
		REV D		



MODULAR JACK CONNECTOR
RJ45, 8P8C
SHIELDED, TAB DOWN, DIP TYPE

SIZE	CAGE CODE	DRAWING NO	RESTRICTED TO
A3	00779	C=1734579	-

THIS DRAWING IS UNPUBLISHED.

RELEASED FOR PUBLICATION

ALL RIGHTS RESERVED.

© COPYRIGHT - By -

REVISIONS

P	LTR	DESCRIPTION	DATE	DWN	APVD
-	-	SEE SHEET 1	-	-	-

NOTES:

1. MATERIAL:

1.1 HOUSING & INSERT HOUSING: LCP, WITH 30% G.F, UL94 V-0; COLOR: BLACK

1.2 CONTACT: PHOSPHOR BRONZE.

1.3 SHELL: BRASS.

1.4 MYLAR: SILICONE POLYMER.

2. FINISH:

2.1 CONTACT: (SEE TABLE) GOLD PLATED ON CONTACT AREA.

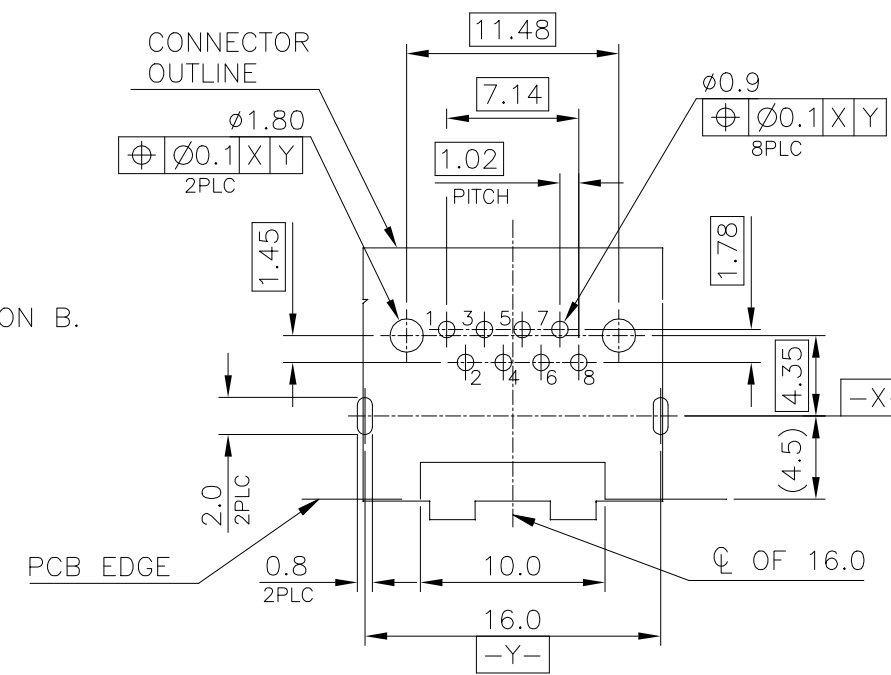
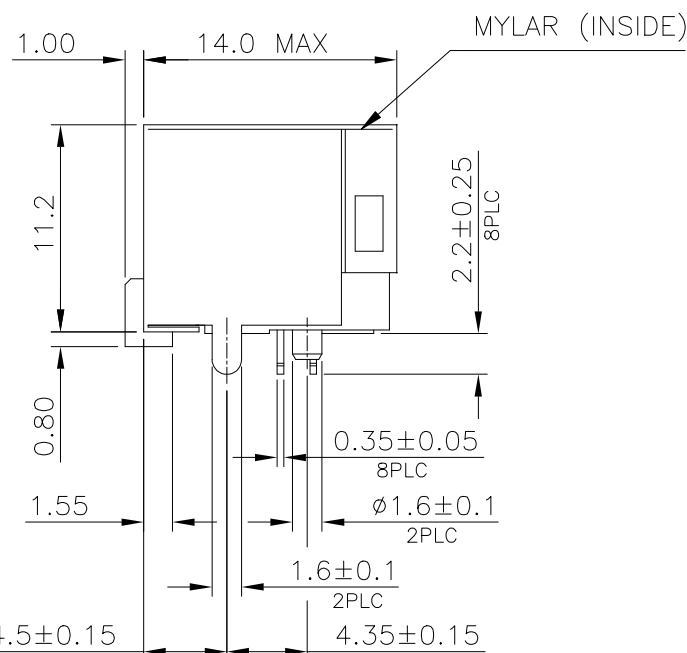
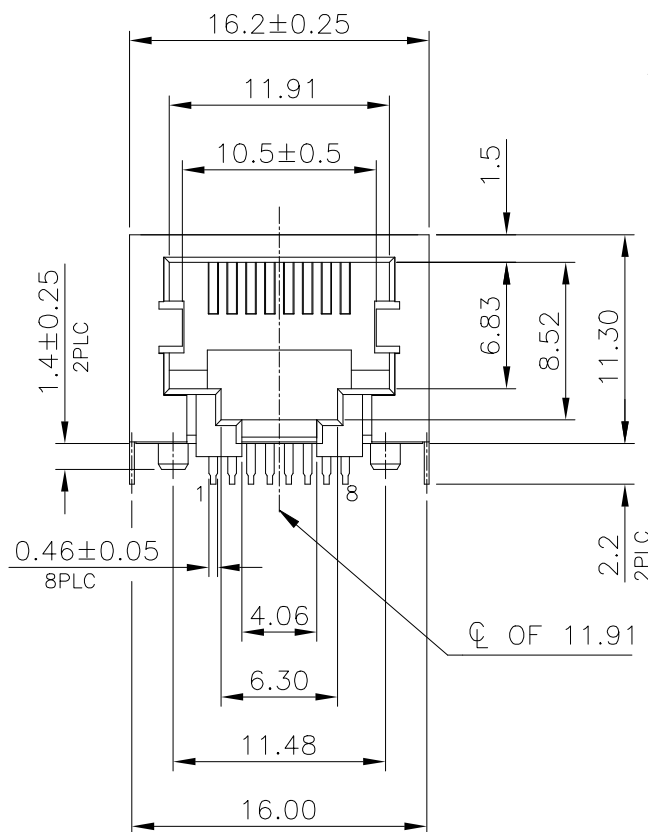
GOLD FLASH ON SOLDER TAIL.

1.27um [50u"] MIN. NICKEL UNDERPLATED OVERALL.

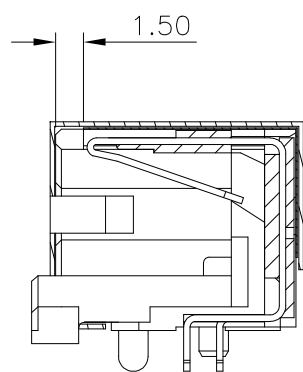
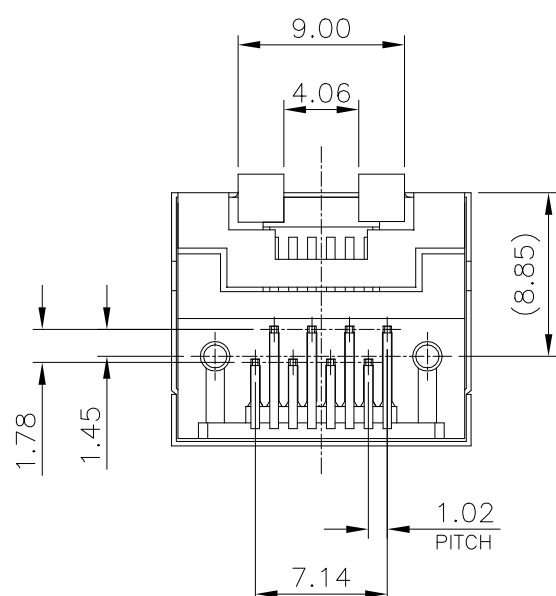
2.2 SHELL: 0.508um [20u"] MIN. NICKEL PLATED.

3. WAVE SOLDER CAPABLE TO 265°C PER TE SPEC. 109-202, CONDITION B.

LOGO & DATE CODE



RECOMMENDED PCB LAYOUT (COMPONENT SIDE)
TOLERANCE: ±0.05
PCB THICKNESS: 1.6mm



SECTION A-A

THIS DRAWING IS A CONTROLLED DOCUMENT.		DWN	B. HSING	27OCT2006
DIMENSIONS: mm		CHK	S. CHIEN	27OCT2006
TOLERANCES UNLESS OTHERWISE SPECIFIED:		APVD	W. KODAMA	27OCT2006
0 PLC	± -	NAME		
1 PLC	± 0.3	108-57527		
2 PLC	± 0.2	APPLICATION SPEC		
3 PLC	± 0.15	-		
4 PLC	± -	WEIGHT		
ANGLES	± 3'	-		
MATERIAL	FINISH	CUSTOMER DRAWING		
SEE NOTE	SEE NOTE	SCALE 1:1		
		SHEET 3 OF 4		REV D



1.27um [50u"]		3-1734579-4	
MIN. GOLD THICKNESS		PART NUMBER	
MODULAR JACK CONNECTOR			
RJ45, 8P8C			
SHIELDED, TAB DOWN, DIP TYPE			
SIZE	CAGE CODE	DRAWING NO	RESTRICTED TO
A3	00779	C=1734579	-

4

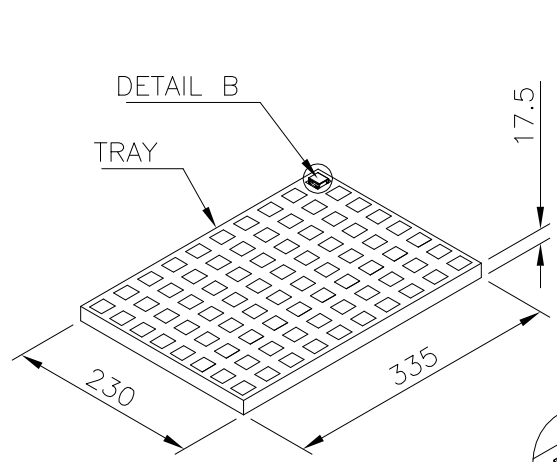
3

2

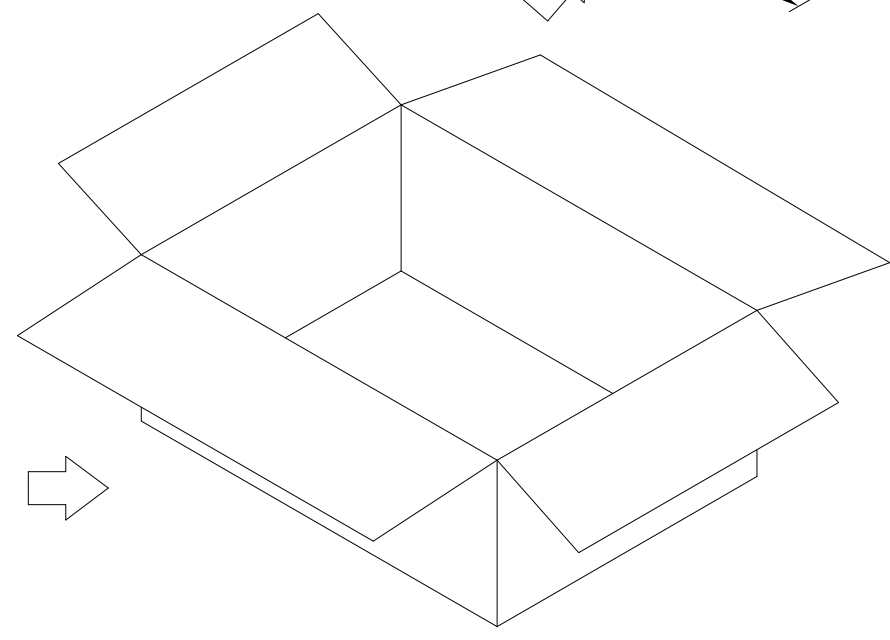
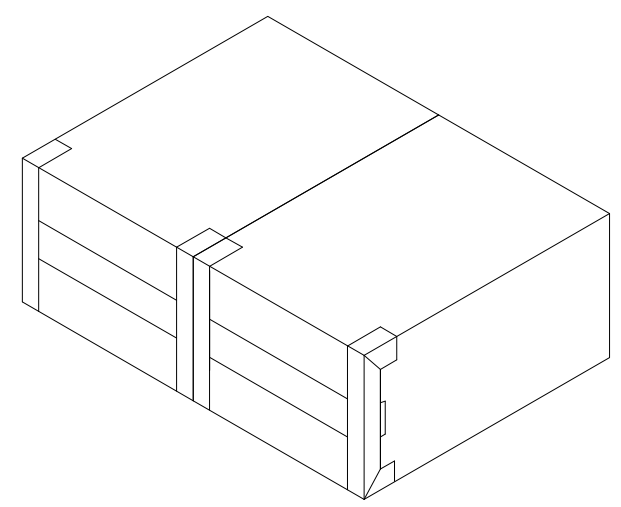
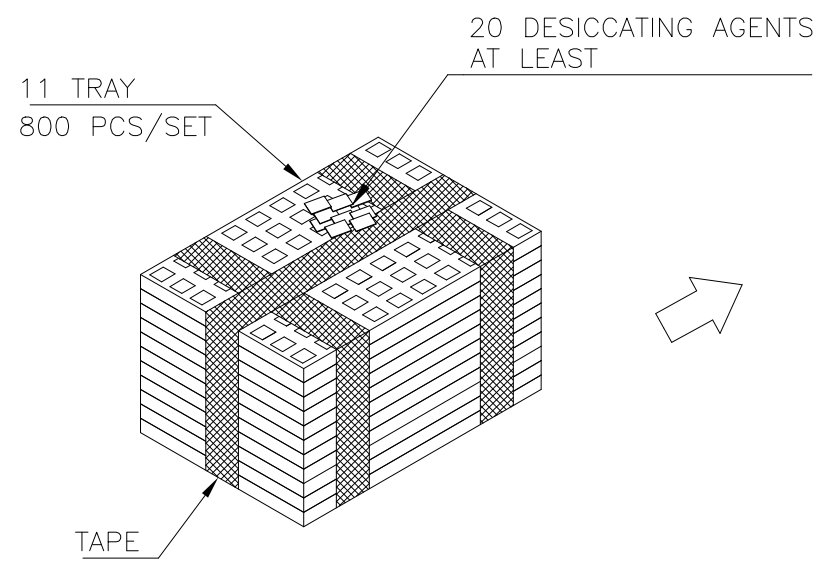
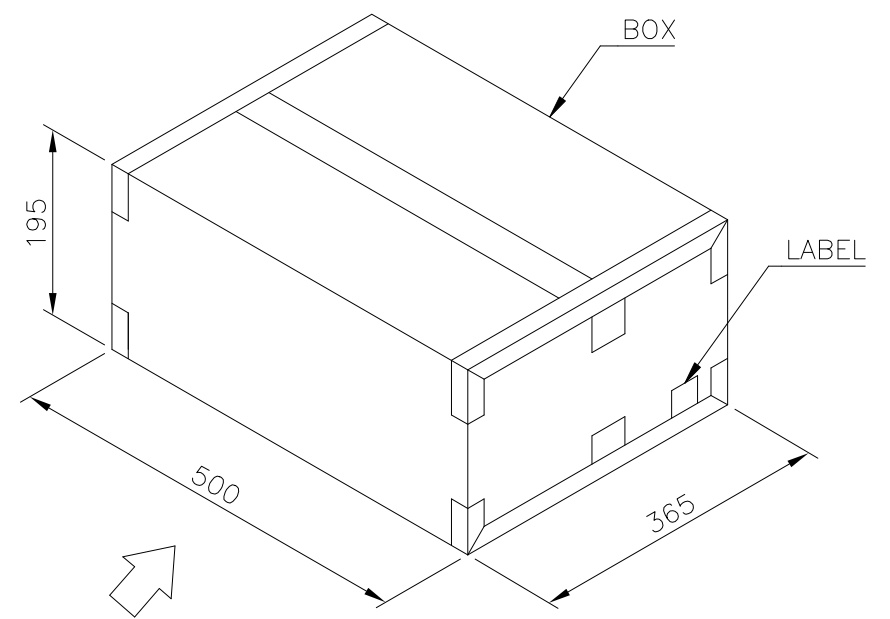
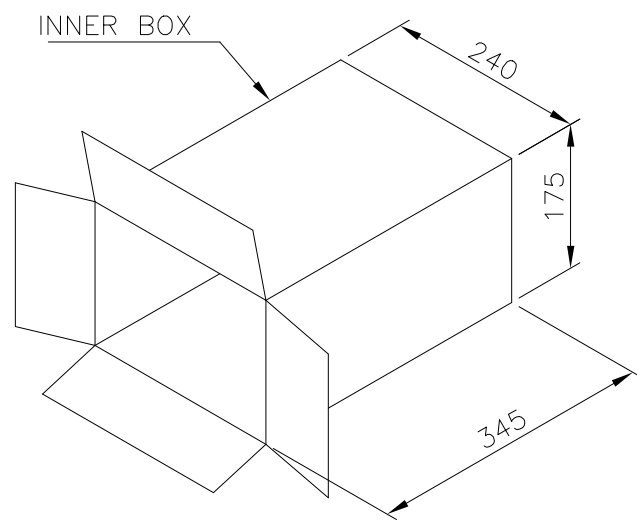
1

THIS DRAWING IS UNPUBLISHED. RELEASED FOR PUBLICATION
 © COPYRIGHT - By - ALL RIGHTS RESERVED.

REVISIONS					
P	LTR	DESCRIPTION	DATE	DWN	APVD
-	-	SEE SHEET 1	-	-	-



DETAIL B
SCALE 4:1



6.5 Kg	4.5 Kg	80	20	1600	2-1734579-4
7.6 Kg	5.6 Kg				1-1734579-X
					1734579-X
					3-1734579-4
GROSS WEIGHT	NET WEIGHT	PCS/TRAY	TRAY/BOX	PCS/BOX	PART NUMBER

THIS DRAWING IS A CONTROLLED DOCUMENT.		DWN	B. HSING		27OCT2006
DIMENSIONS: mm		CHK	S. CHIEN		27OCT2006
TOLERANCES UNLESS OTHERWISE SPECIFIED:		APVD	W. KODAMA		27OCT2006
<ul style="list-style-type: none"> 0 PLC ± - 1 PLC ± 0.3 2 PLC ± 0.2 3 PLC ± 0.15 4 PLC ± - ANGLES ± 3' 		TE Connectivity		NAME	
MATERIAL		PRODUCT SPEC		MODULAR JACK CONNECTOR	
SEE NOTE		FINISH		SEE NOTE	
		APPLICATION SPEC		RJ45, 8P8C	
		WEIGHT		SHIELDED, TAB DOWN, DIP TYPE	
		CUSTOMER DRAWING		RESTRICTED TO	
		SCALE 1:1		SHEET 4 OF 4	
		REV D		REV	

X-ON Electronics

Largest Supplier of Electrical and Electronic Components

Click to view similar products for [Modular Connectors / Ethernet Connectors](#) category:

Click to view products by [TE Connectivity](#) manufacturer:

Other Similar products are found below :

[RJE231881317T](#) [MP1010RX-1000](#) [MP44RX-1000](#) [GAX-3-66](#) [GAX-8-62](#) [93606-0253](#) [GD-A-44](#) [GDCX-PA-66-50](#) [GDCX-PN-64](#) [GDCX-PN-66](#) [GDCX-PN-66-50](#) [GDLX-A-66](#) [GDLX-A-88](#) [GDLX-N-66](#) [GDLX-S-88K](#) [GDTX-S-88-50](#) [GDX-PA-1010](#) [GLX-N-1010M-BLK](#) [GLX-N-44M](#) [GLX-S-88M-BLK](#) [GMX-N-1010](#) [GMX-S-1010](#) [GMX-S-66](#) [GMX-SMT2-N-1010](#) [GMX-SMT2-N-64-50](#) [GMX-SMT2-S6-88](#) [GMX-SMT4-N-88](#) [GPX-2-64](#) [GRT1-BT1-5](#) [GSGX-N-2-88](#) [GSX-NS2-88-3.05](#) [GSX-NS2-88-3.05-50](#) [GSX-NS-88-3.05-30](#) [GSX-NS-88-3.05-50](#) [GSX-NS-88-3.68](#) [1-1775629-2](#) [GWLX-S-88-GR](#) [GWLX-S9-88-YG](#) [1300500326](#) [1300500227](#) [1300530003](#) [1300570002](#) [1324640-4](#) [RJ11FTVC2G](#) [RJ11FTVC2N](#) [RJFTVX2SA1G](#) [132764-001](#) [1400000](#) [1413176](#) [1413235](#)