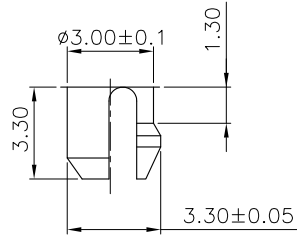
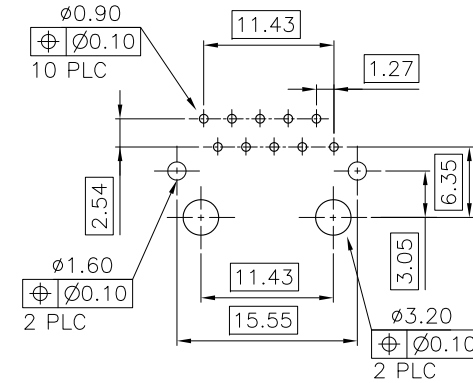
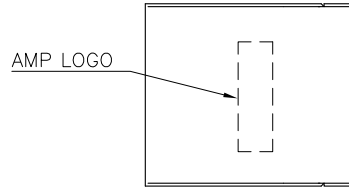


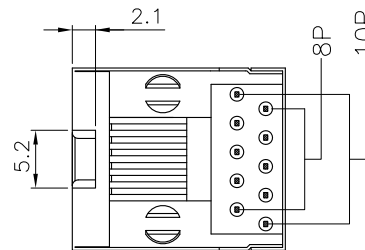
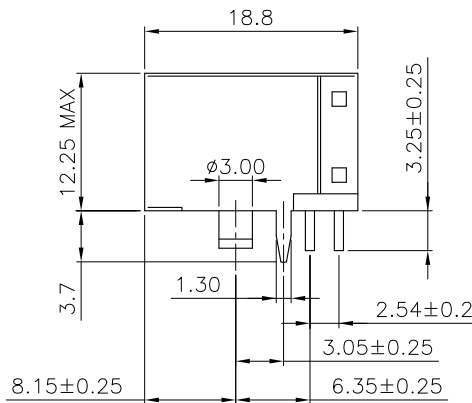
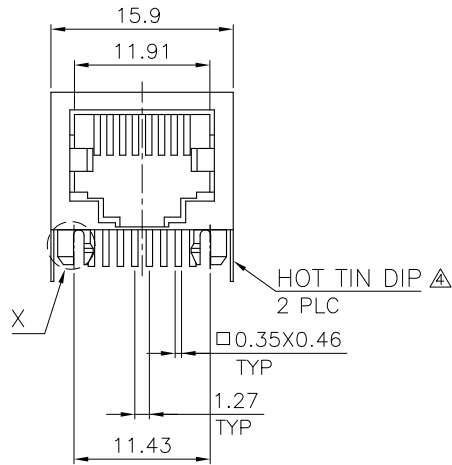
LOC	DIST	REVISIONS					
DW	-	P	LTR	DESCRIPTION	DATE	DWN	APVD
		B3		ECR-12-012115	260TC12	EL	WK



DETAIL X



RECOMMENDED PCB LAYOUT (THICKNESS: 1.6mm)  
 DIMENSION TOLERANCE: 1 PLC: ±0.1 2PLC: ±0.05



OBSOLETE	10P8C	RED	50µ"	3-1734580-4
OBSOLETE			30µ"	3-1734580-3
OBSOLETE			15µ"	3-1734580-2
OBSOLETE			6µ"	3-1734580-1
OBSOLETE	10P10C	BLACK	50µ"	1-1734580-4
			30µ"	1-1734580-3
			15µ"	1-1734580-2
	10P8C	BLACK	6µ"	1-1734580-1
			50µ"	1734580-8
			30µ"	1734580-7
			15µ"	1734580-6
	10P8C	BLACK	6µ"	1734580-5
			50µ"	1734580-4
			30µ"	1734580-3
<del>OBSOLETE</del>	10P8C	BLACK	15µ"	1734580-2
			6µ"	1734580-1
	RJ 45	HSG. COLOR	MIN. GOLD THICKNESS	PART NUMBER

NOTE:

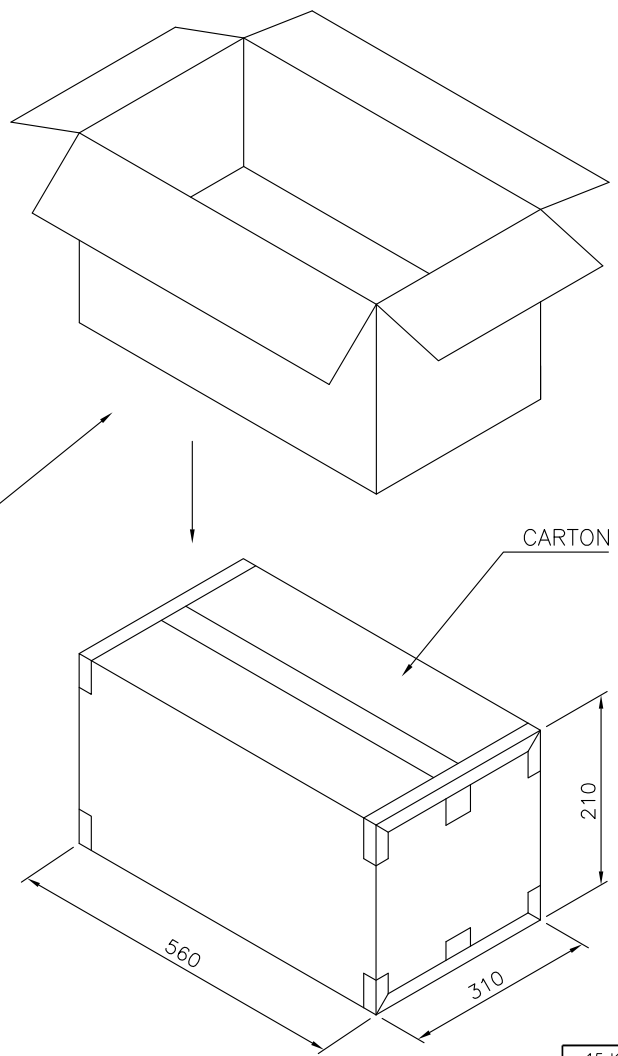
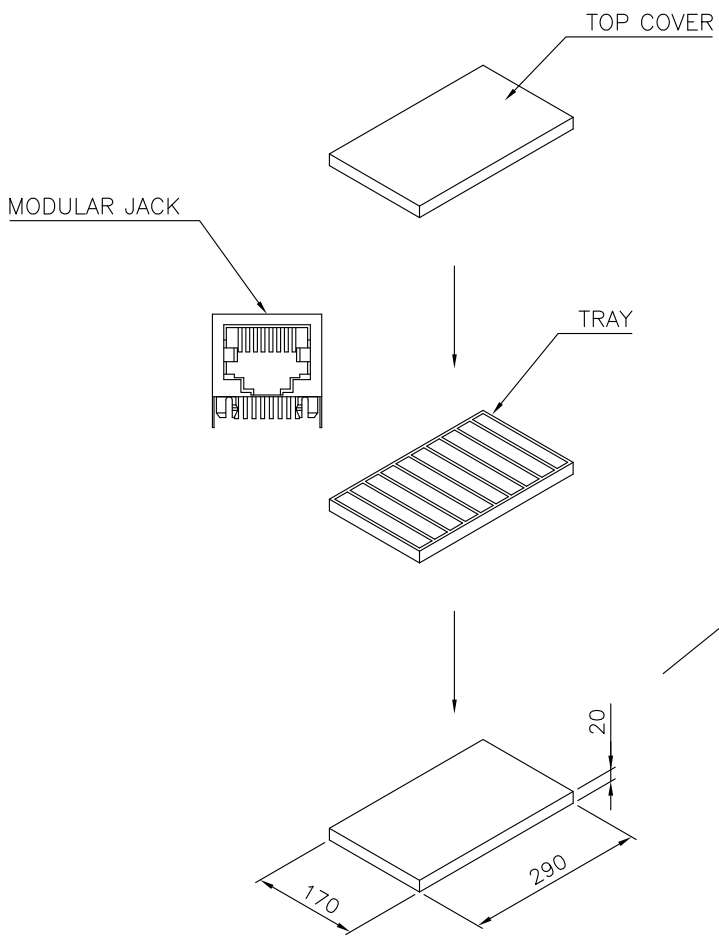
- MATERIAL:  
HOUSING: PA46 WITH 30% GF, UL 94V-0, BLACK COLOR.  
CONTACTS: PHOSPHOR BRONZE, 0.35X0.46 THICKNESS.  
SHIELD: BRASS, 0.25 THICKNESS.
- FINISH:  
CONTACTS: (SEE TABLE) GOLD PLATED ON CONTACT AREA,  
GOLD FLASH ON SOLDER TAILS, WITH ENTIRE  
CONTACT UNDERPLATED 1.27µm [50µ"] MIN. NICKEL.  
SHIELD: 0.508µm [20µ"] MIN. NICKEL PLATED.
- WAVE SOLDER CAPABLE TO 265°C PER 109-202, CONDITION B.

- △ PREPLATED HOT TIN DIP ON SHIELD'S LEGS.
- △ OBSOLETE PARTS: OBSOLETE CIS STREAMLINING PER D.RENAUD/D.SINISI


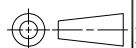
THIS DRAWING IS A CONTROLLED DOCUMENT.		DWN	O. HU	01JUN2007	TE Connectivity MODULAR JACK, RJ45, 8P8C, SHIELDED, SIDE ENTRY, LOW PROFILE
DIMENSIONS: MM		CHK	S. HOU	01JUN2007	
TOLERANCES UNLESS OTHERWISE SPECIFIED:		APVD	W.J. KE	01JUN2007	
0 PLC ± 0.50 1 PLC ± 0.30 2 PLC ± 0.20 3 PLC ± 0.10 4 PLC ± 0.10 ANGLES ± - ± 3°		PRODUCT SPEC	108-57535		
MATERIAL	SEE NOTE	FINISH	SEE NOTE	QUALIFICATION TEST REPORT	NAME
				501-57628	SIZE
				WEIGHT 5.25 GRAMS	CAGE CODE
				CUSTOMER DRAWING	DRAWING NO
				SCALE -	RESTRICTED TO
				SHEET 1 OF 2	REV B3

THIS DRAWING IS UNPUBLISHED. RELEASED FOR PUBLICATION  
 © COPYRIGHT BY TYCO ELECTRONICS CORPORATION. ALL RIGHTS RESERVED.

LOC	DIST	REVISIONS					
DW	-	P	LTR	DESCRIPTION	DATE	DWN	APVD
				SEE SHEET 1.			



15 Kg	13.5 Kg	100	25	2500 PCS
GROSS WEIGHT	NET WEIGHT	PCS/TRAY	TRAYS /CARTON	QUANTITY

THIS DRAWING IS A CONTROLLED DOCUMENT.		DWN	O. HU	01JUN2007	 <b>TE Connectivity</b>
DIMENSIONS: MM		CHK	S. HOU	01JUN2007	
		APVD	W.J. KE	01JUN2007	
TOLERANCES UNLESS OTHERWISE SPECIFIED:		PRODUCT SPEC		NAME	
0 PLC ± -		APPLICATION SPEC		MODULAR JACK, RJ45, 8P8C, SHIELDED, SIDE ENTRY, LOW PROFILE	
1 PLC ± -		WEIGHT		SIZE	
2 PLC ± -		CUSTOMER DRAWING		A3	
3 PLC ± -		SCALE		00779	
4 PLC ± -		SHEET		C=1734580	
ANGLES ± -		REV		B3	
FINISH		RESTRICTED TO		-	

## X-ON Electronics

Largest Supplier of Electrical and Electronic Components

*Click to view similar products for [Modular Connectors / Ethernet Connectors](#) category:*

*Click to view products by [TE Connectivity](#) manufacturer:*

Other Similar products are found below :

[8949-H88/06BLKA/SN](#) [74441-0010/BKN](#) [MP1010RX-1000](#) [MP44RX-1000](#) [PHJ-4P4C-1-V-4](#) [PHP-6P6C-5](#) [GAX-3-66](#) [GAX-8-62](#) [GDCX-PA-66-50](#) [GDCX-PN-64](#) [GDCX-PN-66](#) [GDCX-PN-66-50](#) [GDLX-A-66](#) [GDLX-N-66](#) [GDLX-S-66](#) [GDLX-S-88K](#) [GDTX-S-88-50](#) [GDX-PA-1010](#) [GLX-N-1010M-BLK](#) [GLX-S-88M-BLK](#) [GMX-N-1010](#) [GMX-S-1010](#) [GMX-S-66](#) [GMX-SMT4-N-88](#) [GPX-2-64](#) [GSGX-N-2-88](#) [GSGX-N-4-88](#) [GSX-NS2-88-3.05](#) [GSX-NS2-88-3.05-50](#) [GSX-NS-88-3.05-50](#) [PT-108A-8C-UL](#) [PT-J951-8C](#) [PTS-J531-8CS-50UL](#) [1-1775629-2](#) [A-2014-0-4](#) [GWLX-S-88-GR](#) [GWLX-S9-88-YG](#) [DC-1021-8-WH-6](#) [1300530003](#) [1324640-4](#) [RJ11FTVC2G](#) [RJ11FTVC2N](#) [RJFTVX2SA1G](#) [132764-001](#) [1413235](#) [MP88X-1000](#) [MPS88RX-5000](#) [E5288-S000K3-L](#) [E5908-15A242-L](#) [155302-001](#)