

4

3

2

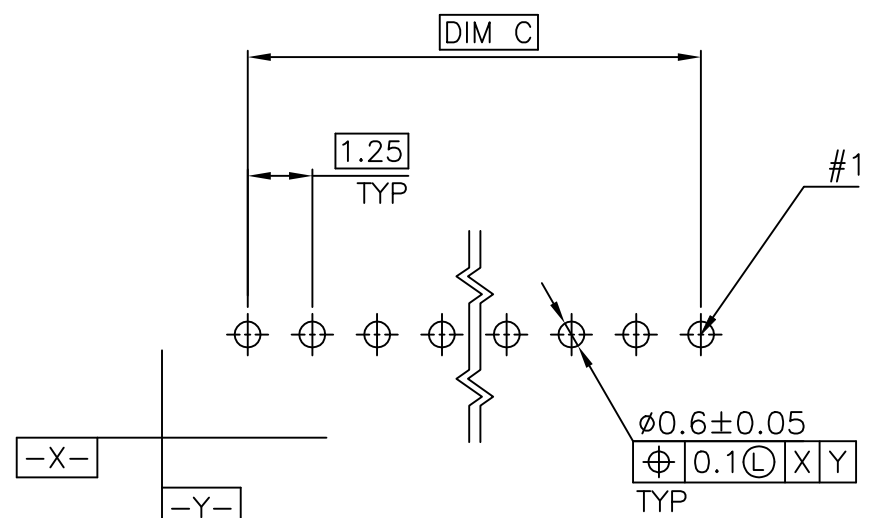
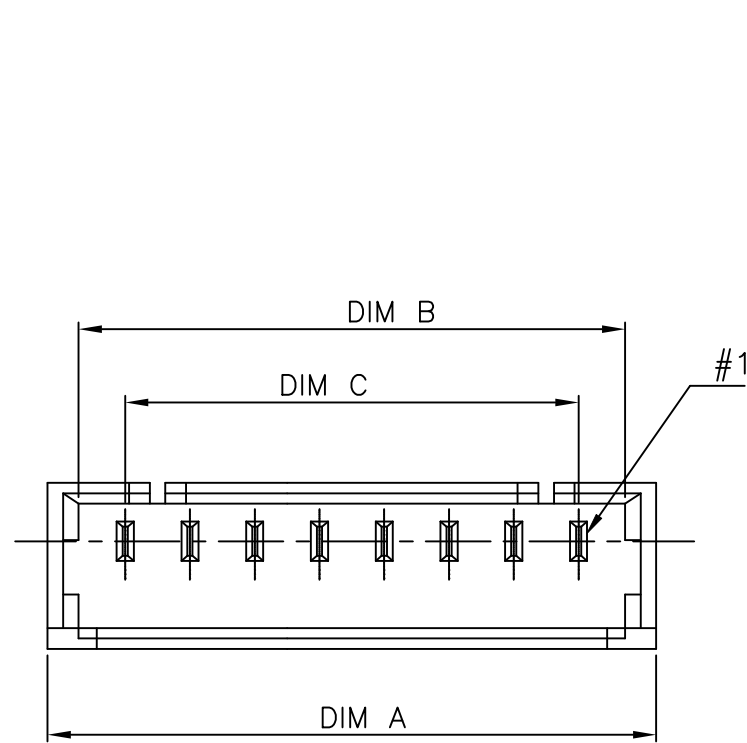
1

THIS DRAWING IS UNPUBLISHED. RELEASED FOR PUBLICATION
 © COPYRIGHT 2013 BY TE CONNECTIVITY. ALL RIGHTS RESERVED.

LOC	DIST	REVISIONS					
DW	-	P	LTR	DESCRIPTION	DATE	DWN	APVD
		R2		ECR-18-014164	29NOV18	T.Q	W.H

D

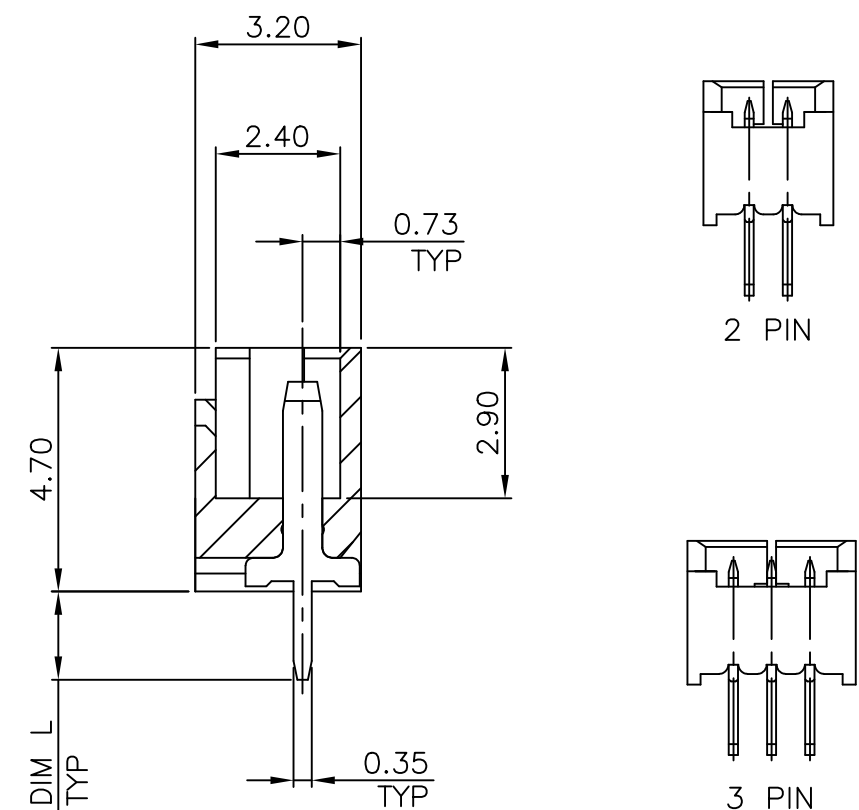
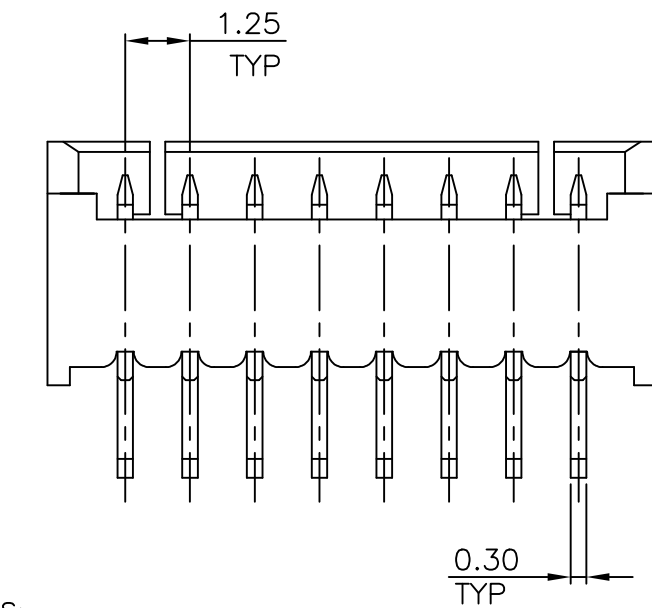
D



RECOMMENDED PCB LAYOUT (TOP VIEW)
 TOLERANCE: ±0.05, THICKNESS: 1.2MM ~ 1.8MM

C

C



B

B

A

A

- NOTES:
- MATERIAL:
HOUSING: PA9T W/ 30% GF, UL94 V-0, NATURAL COLOR.
CONTACTS: PHOSPHOR BRONZE.
 - FINISH:
CONTACTS: 120μ" MIN. MATTE-TIN OVER 50μ" MIN. NICKEL PLATED.
 ⚠ 0.762μm [30μ"] MIN. GOLD PLATED ON CONTACT AREA,
 GOLD FLASH ON SOLDER TAILS, 1.27μm [50μ"] MIN. NICKEL ON ENTIRE CONTACT.
 - NO TE LOGO AND DATE CODE ON THE PRODUCT.

DIM. L	DIM. C	DIM. B	DIM. A	NO. OF CONTACTS	PART NUMBER
2.30	5.00	6.80	8.00	5	6-1734598-0
3.70	17.50	19.30	20.50	15	5-1734598-5
	16.25	18.05	19.25	14	5-1734598-4
	15.00	16.80	18.00	13	5-1734598-3
	13.75	15.55	16.75	12	5-1734598-2
	12.50	14.30	15.50	11	5-1734598-1
	11.25	13.05	14.25	10	5-1734598-0
	10.00	11.80	13.00	9	4-1734598-9
	8.75	10.55	11.75	8	4-1734598-8
	7.50	9.30	10.50	7	4-1734598-7
	6.25	8.05	9.25	6	4-1734598-6
2.30	5.00	6.80	8.00	5	4-1734598-5
	3.75	5.55	6.75	4	4-1734598-4
	2.50	4.30	5.50	3	4-1734598-3
	1.25	3.05	4.25	2	4-1734598-2
	17.50	19.30	20.50	15	3-1734598-5
	16.25	18.05	19.25	14	3-1734598-4
	15.00	16.80	18.00	13	3-1734598-3
	13.75	15.55	16.75	12	3-1734598-2
	12.50	14.30	15.50	11	3-1734598-1
	11.25	13.05	14.25	10	3-1734598-0
1.70	10.00	11.80	13.00	9	2-1734598-9
	8.75	10.55	11.75	8	2-1734598-8
	7.50	9.30	10.50	7	2-1734598-7
	6.25	8.05	9.25	6	2-1734598-6
	5.00	6.80	8.00	5	2-1734598-5
	3.75	5.55	6.75	4	2-1734598-4
	2.50	4.30	5.50	3	2-1734598-3
	1.25	3.05	4.25	2	2-1734598-2
	17.50	19.30	20.50	15	1-1734598-5
	16.25	18.05	19.25	14	1-1734598-4
15.00	16.80	18.00	13	1-1734598-3	
13.75	15.55	16.75	12	1-1734598-2	
12.50	14.30	15.50	11	1-1734598-1	
11.25	13.05	14.25	10	1-1734598-0	
10.00	11.80	13.00	9	1734598-9	
8.75	10.55	11.75	8	1734598-8	
7.50	9.30	10.50	7	1734598-7	
6.25	8.05	9.25	6	1734598-6	
5.00	6.80	8.00	5	1734598-5	
3.75	5.55	6.75	4	1734598-4	
2.50	4.30	5.50	3	1734598-3	
1.25	3.05	4.25	2	1734598-2	

THIS DRAWING IS A CONTROLLED DOCUMENT.

DIMENSIONS: MM	TOLERANCES UNLESS OTHERWISE SPECIFIED:	DWN A. WU 30DEC2005	TE Connectivity NAME 1.25 MM PITCH WIRE-TO-BOARD CONNECTOR, HEADER, DIP, VERTICAL
	0 PLC ± -	CHK S. HOU 30DEC2005	
	1 PLC ± 0.3	APVD W.J. KE 30DEC2005	
	2 PLC ± 0.2	PRODUCT SPEC 108-57273	
MATERIAL SEE NOTE	FINISH SEE NOTE	APPLICATION SPEC -	RESTRICTED TO -
		WEIGHT -	SIZE A3 CAGE CODE 00779 DRAWING NO C=1734598
		CUSTOMER DRAWING	SCALE - SHEET 1 of 4 REV R2

THIS DRAWING IS UNPUBLISHED.

RELEASED FOR PUBLICATION

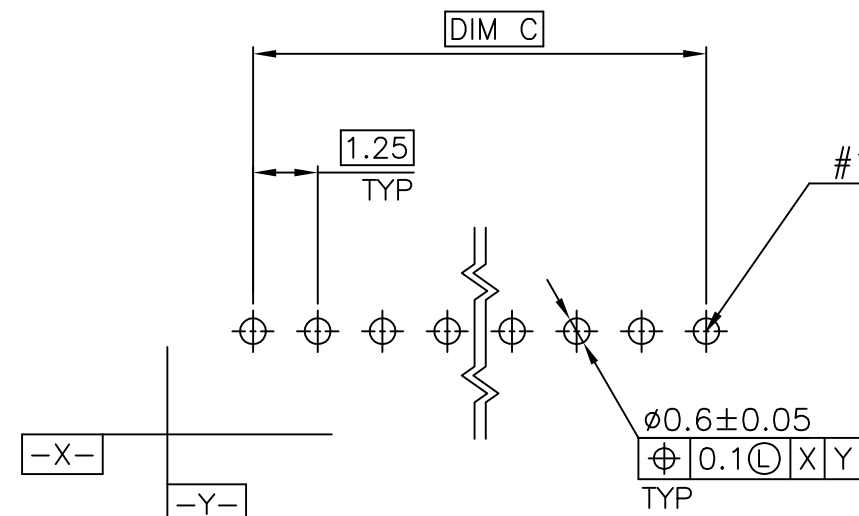
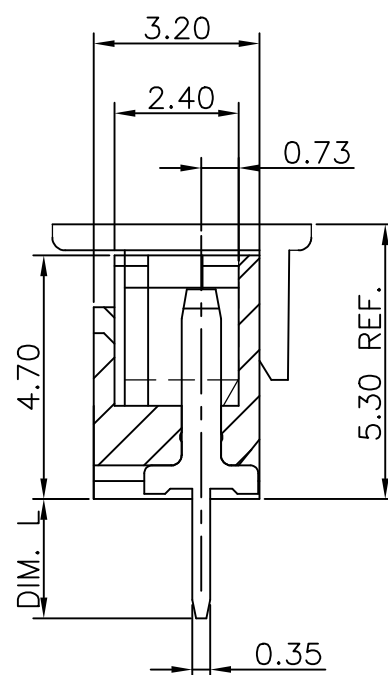
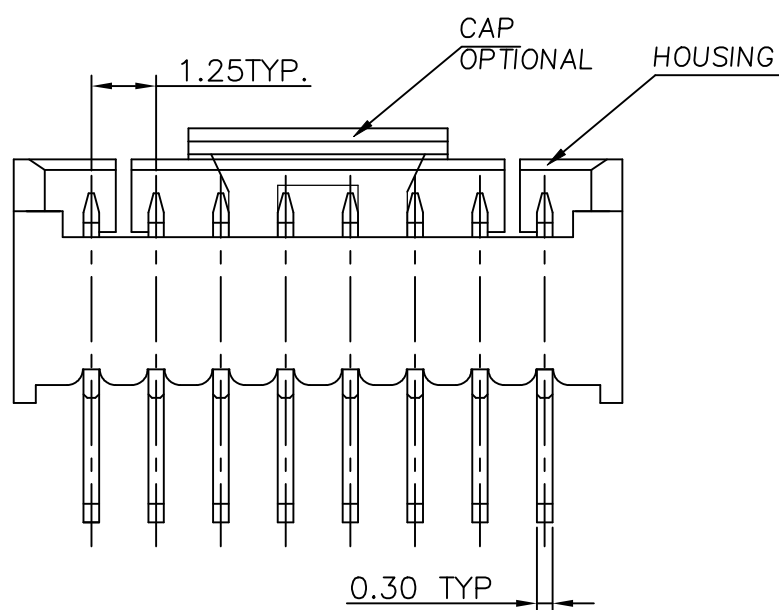
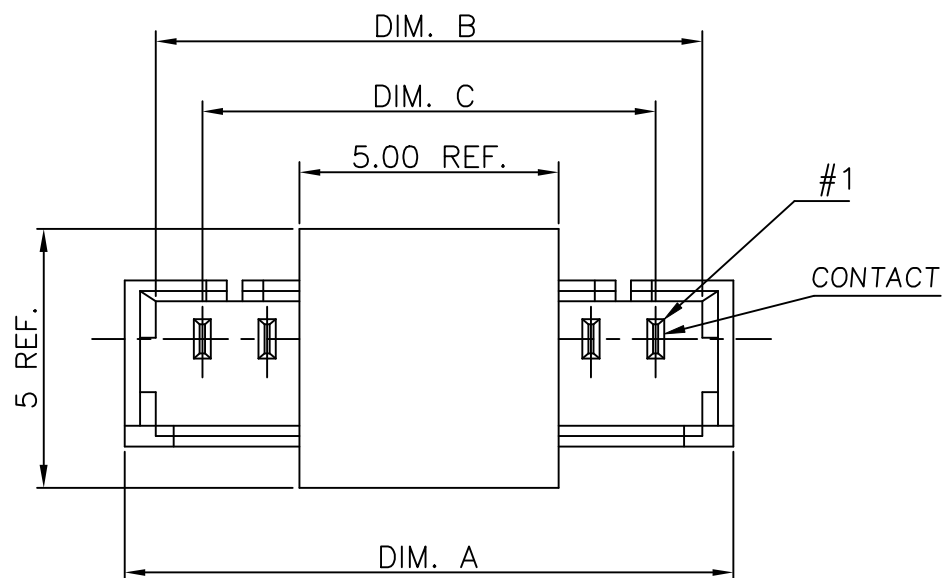
© COPYRIGHT 2013 BY TE CONNECTIVITY.

ALL RIGHTS RESERVED.

LOC	DIST	REVISIONS					
DW	-	P	LTR	DESCRIPTION	DATE	DWN	APVD
				SEE SHEET 1			

NOTE:

- MATERIAL:
HOUSING: THERMOPLASTIC (LCP) WITH 30% GF, UL 94V-0, NATURE COLOR.
CAP: THERMOPLASTIC (LCP) WITH 30% GF, UL 94V-0, COLOR BLACK
CONTACTS: PHOSPHOR BRONZE.
- FINISH:
CONTACTS: 3.048μm[120μ"] MIN. MATTE-TIN OVER
1.27μm[50μ"]MIN. NICKEL ON ENTIRE CONTACT.
- REFLOW SOLDER CAPABLE TO 260°C PER TE SPEC. TEC-109-201, CONDITION B.
- LOW HALOGEN SPECIFICATION:
CHLORINE(Cl): 900ppm MAX.
BROMINE(Br): 900ppm MAX.
- NO TE LOGO AND DATE CODE ON THE PRODUCT.
- PACKAGE : TAPE AND REEL TYPE (SEE PAGE 4)



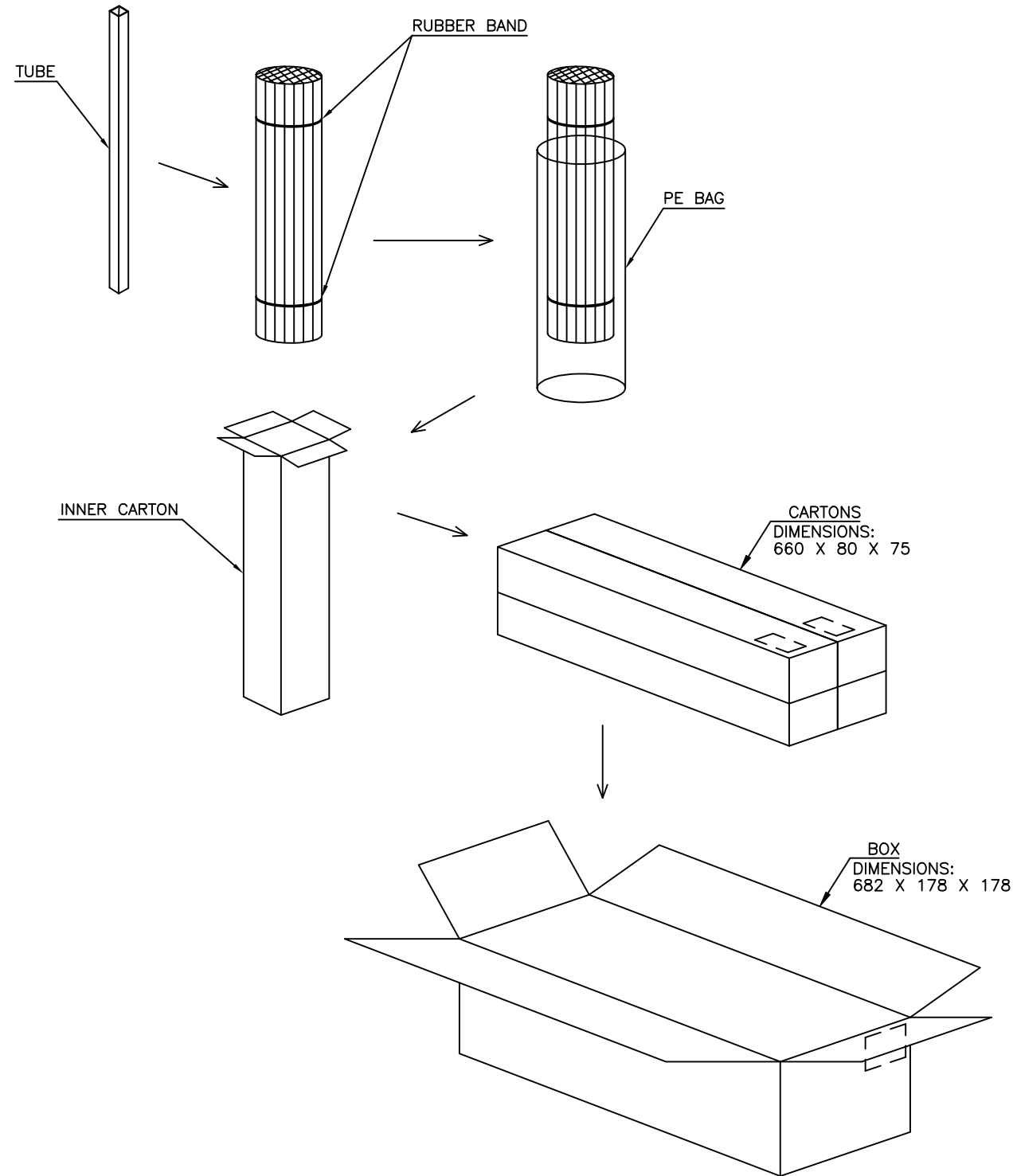
RECOMMENDED PCB LAYOUT (TOP VIEW)
TOLERANCE: ±0.05, THICKNESS: 1.6MM

WITHOUT	2.30	8.75	10.55	11.75	8	6-1734598-2
WITH	2.30	8.75	10.55	11.75	8	6-1734598-1
CAP STATUS	DIM. L	DIM. C	DIM. B	DIM. A	NO. OF CONTACTS	PART NUMBER

THIS DRAWING IS A CONTROLLED DOCUMENT.		DWN	TE TE Connectivity			
DIMENSIONS: MM		CHK				
TOLERANCES UNLESS OTHERWISE SPECIFIED:		APVD	NAME			
0 PLC ± -		PRODUCT SPEC				
1 PLC ± -		APPLICATION SPEC				
2 PLC ± -		WEIGHT				
3 PLC ± -		CUSTOMER DRAWING				
4 PLC ± -		SIZE	CAGE CODE	DRAWING NO	RESTRICTED TO	
ANGLES ± -		A3 00779		C=1734598	-	
MATERIAL		FINISH		SCALE	SHEET	REV
				-	2 of 4	R2

THIS DRAWING IS UNPUBLISHED. RELEASED FOR PUBLICATION
 © COPYRIGHT 2013 BY TE CONNECTIVITY. ALL RIGHTS RESERVED.

LOC	DIST	REVISIONS				
P	LTR	DESCRIPTION	DATE	DWN	APVD	
DW	-	SEE SHEET 1				



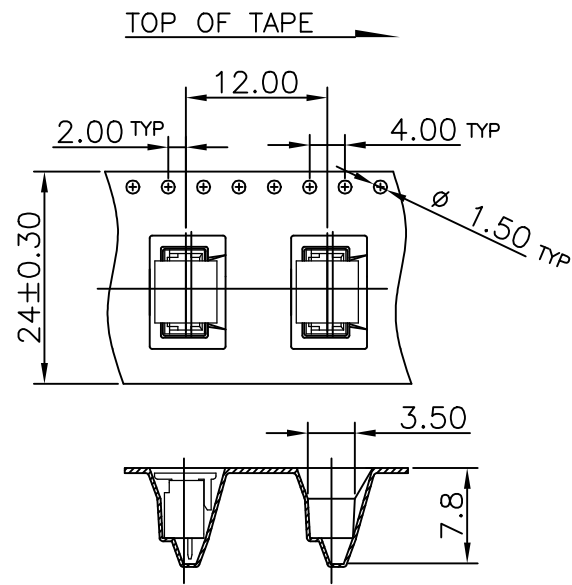
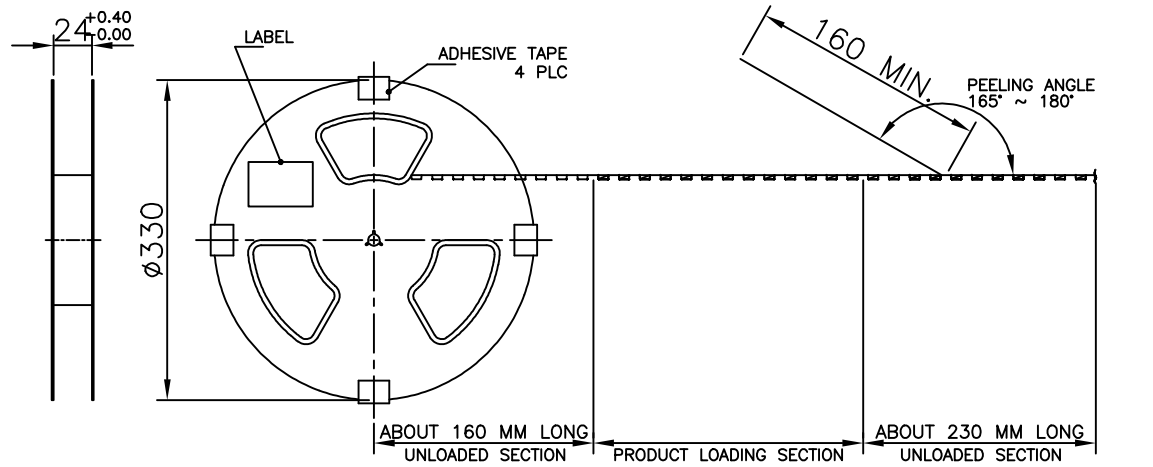
NOTE:
 1. PN 6-1734598-1
 6-1734598-2 SEE NEXT PAGE

TUBES/BOX	QUANTITY	PCS/TUBE	G/W (KG)	N/W (KG)	NO. OF CONTACTS
200	6000	30	5.948	2.178	15
200	6400	32	5.920	2.150	14
200	6800	34	5.919	2.148	13
200	7200	36	5.959	2.188	12
200	7800	39	5.868	2.098	11
200	8600	43	5.972	2.201	10
200	9400	47	5.970	2.199	9
200	10400	52	5.954	2.184	8
200	11600	58	5.974	2.204	7
200	13200	66	5.850	2.112	6
200	15200	76	5.929	2.158	5
200	18000	90	5.930	2.160	4
200	22000	110	5.950	2.178	3
200	28200	141	5.915	2.143	2

THIS DRAWING IS A CONTROLLED DOCUMENT.		DWN	TE Connectivity		
DIMENSIONS: MM		CHK	NAME		
TOLERANCES UNLESS OTHERWISE SPECIFIED:		APVD	1.25 MM PITCH WIRE-TO-BOARD CONNECTOR, HEADER, DIP, VERTICAL		
0 PLC ± -		PRODUCT SPEC	SIZE	CAGE CODE	DRAWING NO
1 PLC ± -		APPLICATION SPEC	A3	00779	C=1734598
2 PLC ± -		WEIGHT	RESTRICTED TO		
3 PLC ± -		CUSTOMER DRAWING	-		
4 PLC ± -		SCALE	SHEET 3 of 4		
ANGLES ± -		REV R2			
MATERIAL					
FINISH					

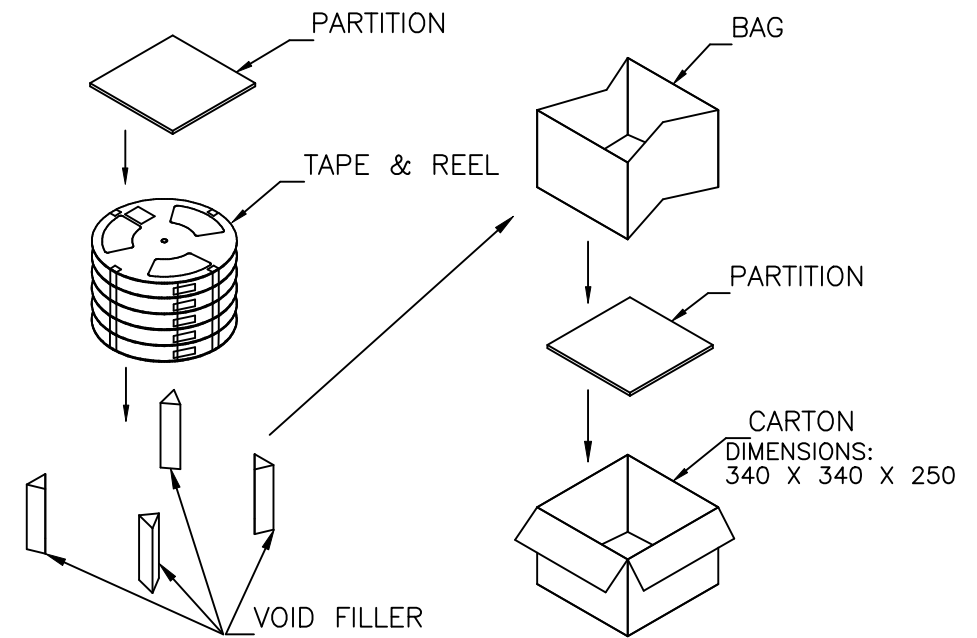
THIS DRAWING IS UNPUBLISHED. RELEASED FOR PUBLICATION
 © COPYRIGHT 2013 BY TE CONNECTIVITY. ALL RIGHTS RESERVED.

LOC	DIST	REVISIONS				
P	LTR	DESCRIPTION	DATE	DWN	APVD	
DW	-	SEE SHEET 1				



NOTE:

1. PEELING FORCE: 10g ~ 130g.
2. PEELING SPEED: 300mm/min.(REFERENCE)



5.44	0.61	700	7	4900	6-1734598-2
5.7	0.87	700	7	4900	6-1734598-1
G/W (Kg)	N/W (Kg)	PCS/TAPE	REELS/BOX	NO. OF CONNECTORS	PART NUMBER

THIS DRAWING IS A CONTROLLED DOCUMENT.		DWN -		TE Connectivity	
DIMENSIONS: MM		CHK -			
TOLERANCES UNLESS OTHERWISE SPECIFIED: 0 PLC ± - 1 PLC ± - 2 PLC ± - 3 PLC ± - 4 PLC ± - ANGLES ± -		APVD -		NAME	
MATERIAL		FINISH		1.25 MM PITCH WIRE-TO-BOARD CONNECTOR, HEADER, DIP, VERTICAL	
-		-		SIZE A3 CAGE CODE 00779 DRAWING NO C-1734598 RESTRICTED TO -	
-		-		CUSTOMER DRAWING SCALE - SHEET 4 of 4 REV R2	

X-ON Electronics

Largest Supplier of Electrical and Electronic Components

Click to view similar products for [Headers & Wire Housings](#) category:

Click to view products by [TE Connectivity](#) manufacturer:

Other Similar products are found below :

[95000-104TRLF](#) [10135584-644402LF](#) [DF62W-EP2022PCA](#) [95000-106TRLF](#) [DF62W-2022SCA](#) [DF62W-EP2022PC](#) [2203348](#) [DF62W-2022SC](#) [1084018](#) [1029039](#) [1084017](#) [802-10-012-10-002000](#) [1112640](#) [1112639](#) [000-34000](#) [0009482033](#) [0009507031](#) [57102-S06-03LF](#) [57202-S52-04LF](#) [PCN6-15S-2.5E](#) [0039019024](#) [58102-G61-06LF](#) [582553-1](#) [0009508121](#) [0050291907](#) [018731A](#) [LY20-4P-DT1-P1E-BR](#) [02.125.8002.8](#) [60101931](#) [60598-1 \(Cut Strip\)](#) [M1625-3R/100](#) [61062-3](#) [61082-181009](#) [636-1427](#) [638009-1](#) [641938-9](#) [641991-4](#) [644168-1](#) [647662-1](#) [65039-019ELF](#) [65817-002LF](#) [65817-015LF](#) [65863-015LF](#) [66207-023LF](#) [67016-026LF](#) [67046-001LF](#) [67095-007LF](#) [68002-116](#) [68016-236H](#) [68648-049](#)