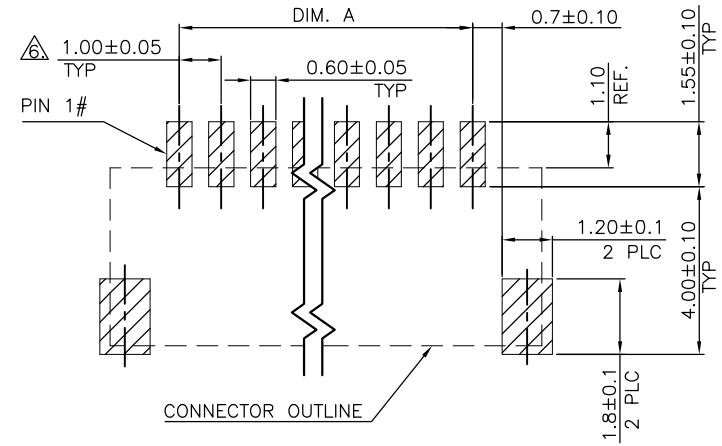
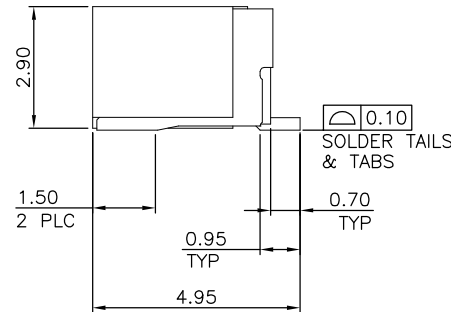
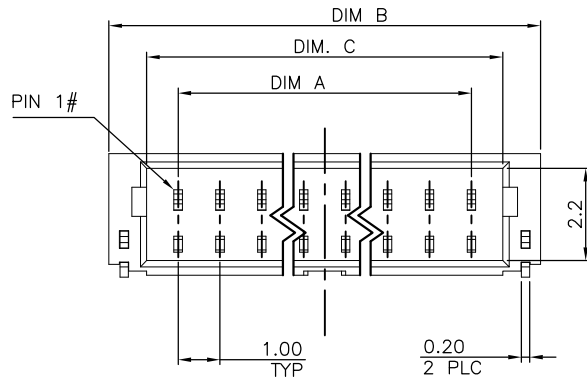
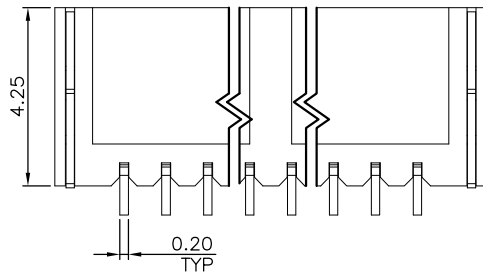


P	LTR	DESCRIPTION	DATE	DWN	APVD
B1		REVISED PER ECO-11-005301	07MAR11	RK	HMR



RECOMMENDED PCB LAYOUT
(COMPONENT SIDE) TOLERANCE: ±0.05



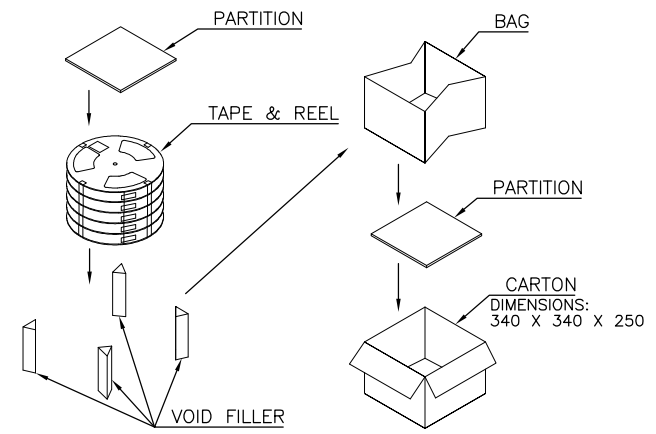
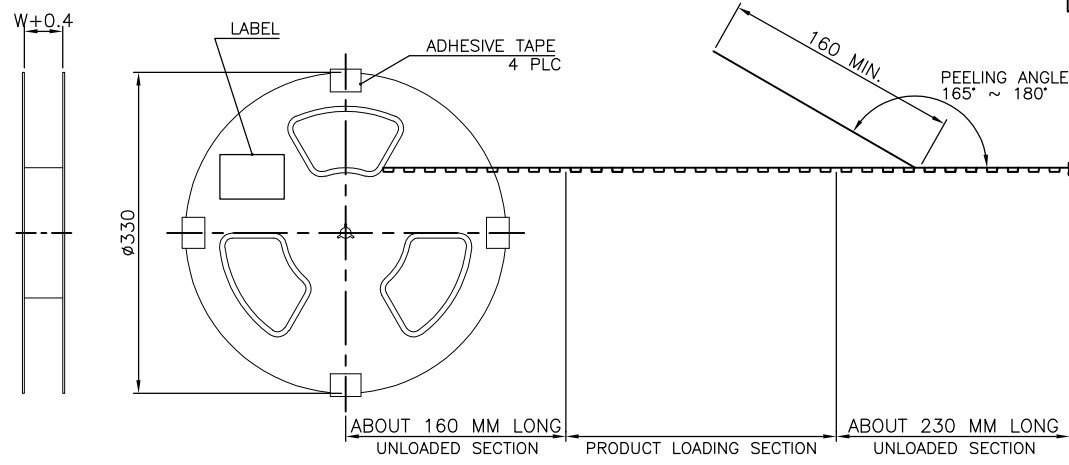
- NOTE:
- MATERIAL:
HOUSING: THERMOPLASTIC WITH 30% G/F, UL 94V-0, NATURE COLOR.
CONTACTS: PHOSPHOR BRONZE.
TABS: BRASS.
 - FINISH:
CONTACT: 3.048µm (120µ") MIN. MATTE-TIN OVER
1.27µm (50µ") MIN. NICKEL ON ENTIRE CONTACT.
TABS: 3.048µm (120µ") MIN. MATTE-TIN OVER
1.27µm (50µ") MIN. NICKEL ON ENTIRE CONTACT.
 - REFLOW SOLDER CAPABLE TO 260°C PER TE CONNECTIVITY SPEC. 109-201, CONDITION B.
 - NO TE LOGO AND DATE CODE ON THE PRODUCT.
 - PART NO. OF RECEPTACLE CONTACT & HOUSING (BASE NO.#): 1734597 & 1470364.
- △ NO ACCUMULATE TOLERANCE.

WEIGHT	C	B	A	NO. OF CONTACTS	PART NUMBER
0.21g	15.50	17.30	14.00	15	1-1734709-5
0.20g	14.50	16.30	13.00	14	1-1734709-4
0.19g	13.50	15.30	12.00	13	1-1734709-3
0.17g	12.50	14.30	11.00	12	1-1734709-2
0.16g	11.50	13.30	10.00	11	1-1734709-1
0.15g	10.50	12.30	9.00	10	1-1734709-0
0.14g	9.50	11.30	8.00	9	1734709-9
0.12g	8.50	10.30	7.00	8	1734709-8
0.11g	7.50	9.30	6.00	7	1734709-7
0.10g	6.50	8.30	5.00	6	1734709-6
0.09g	5.50	7.30	4.00	5	1734709-5
0.08g	4.50	6.30	3.00	4	1734709-4
0.07g	3.50	5.30	2.00	3	1734709-3
0.05g	2.50	4.30	1.00	2	1734709-2

THIS DRAWING IS A CONTROLLED DOCUMENT.		DWN F. YANG 10APR2009			
		CHK S. CHIEN 10APR2009			
DIMENSIONS: MM		APVD W. KODAMA 10APR2009	NAME		
		PRODUCT SPEC 108-57264	WIRE TO BOARD CONNECTOR SIDE ENTRY, SINGLE ROW, SMT TYPE		
MATERIAL SEE NOTE		QUALIFICATION TEST REPORT 501-57283	SIZE A3	CAGE CODE 00779	DRAWING NO 1734709
FINISH SEE NOTE		WEIGHT SEE TABLE	RESTRICTED TO	SCALE	SHEET 1 OF 3
		CUSTOMER DRAWING			REV B1

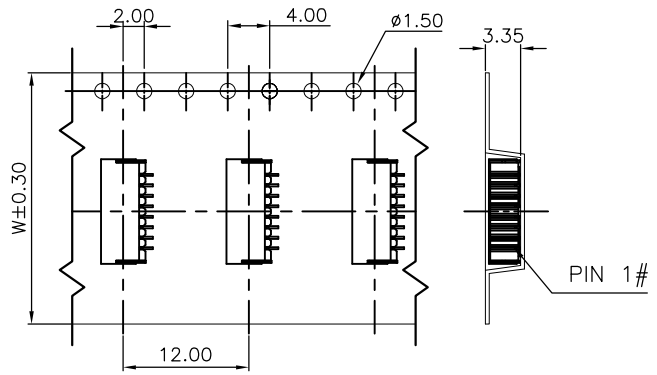
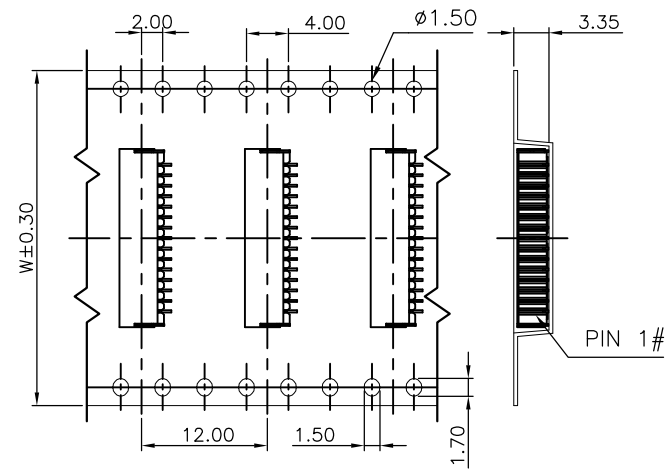
© COPYRIGHT BY ALL RIGHTS RESERVED.

P	LTR	DESCRIPTION	DATE	DWN	APVD
-	-	SEE SHEET 1.	-	-	-



PULL OUT DIRECTION →

PULL OUT DIRECTION →



CARRIER FOR 2 TO 5 PIN & 7 TO 14 PIN

CARRIER FOR 15 PIN

PCS/REEL	REELS/CARTON	QUANTITY	DIM W	G/W (KG)	N/W (KG)	NO. OF POS.
1500	6	9000	32	5.48	1.89	15
				5.58	2.10	14
				5.48	2.00	13
				5.27	1.79	12
				5.16	1.68	11
				5.06	1.58	10
10	15000	16	4.95	1.47	09	
			4.66	1.26	08	
			4.64	1.16	07	
			5.75	1.35	05	
				5.60	1.20	04
				5.45	1.05	03
				5.15	0.75	02

THIS DRAWING IS A CONTROLLED DOCUMENT.

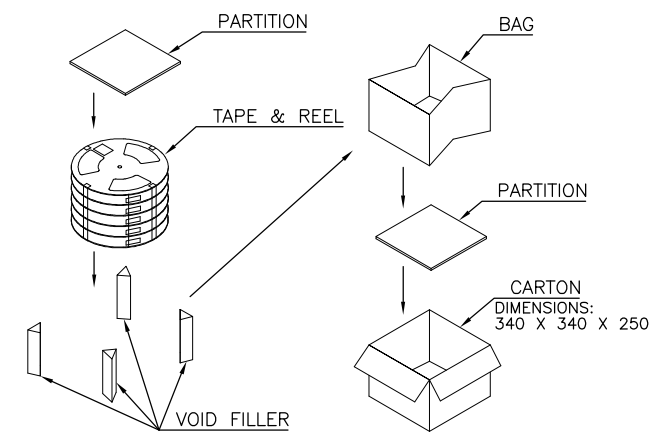
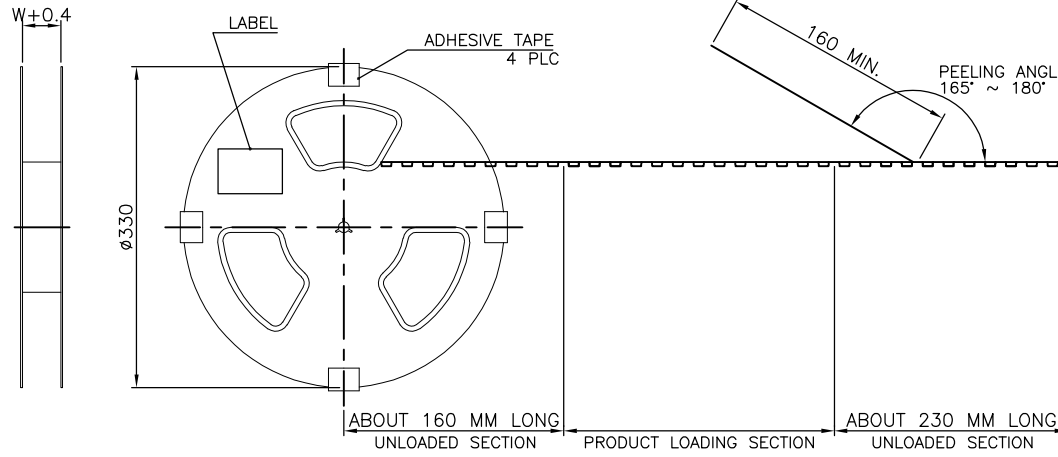
TE Connectivity

WIRE TO BOARD CONNECTOR
 SIDE ENTRY, SINGLE ROW, SMT TYPE

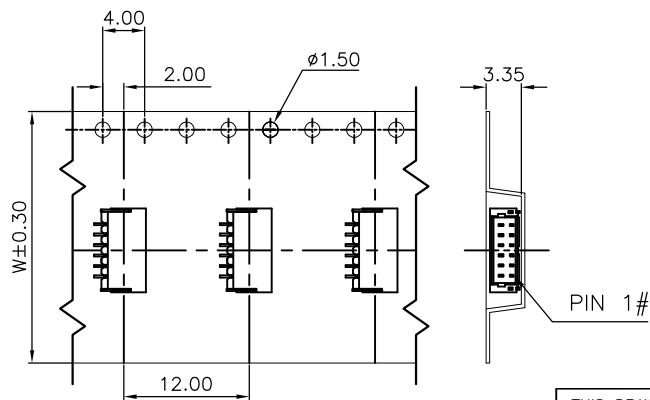
DIMENSIONS: MM	TOLERANCES UNLESS OTHERWISE SPECIFIED:	APVD	NAME
0 PLC ±	1 PLC ±	PRODUCT SPEC	
2 PLC ±	3 PLC ±	QUALIFICATION TEST REPORT	
4 PLC ±	ANGLES ±	WEIGHT	
MATERIAL SEE NOTE	FINISH SEE NOTE	CUSTOMER DRAWING	

SIZE A3	CAGE CODE 00779	DRAWING NO. C-1734709	RESTRICTED TO
SCALE	SHEET 2 of 3	REV B1	

P	LTR	DESCRIPTION	DATE	DWN	APVD
-	-	SEE SHEET 1.	-	-	-



PULL OUT DIRECTION →



CARRIER FOR 6 PIN

2000	10	20000	16	6.40	2.00	06
PCS/REEL	REELS/CARTON	QUANTITY	DIM W	G/W (KG)	N/W (KG)	NO. OF POS.

THIS DRAWING IS A CONTROLLED DOCUMENT.		DWN	TE Connectivity			
DIMENSIONS: MM		CHK				
TOLERANCES UNLESS OTHERWISE SPECIFIED:		APVD	NAME			
0 PLC ± - 1 PLC ± - 2 PLC ± - 3 PLC ± - 4 PLC ± - ANGLES ± -		PRODUCT SPEC	WIRE TO BOARD CONNECTOR SIDE ENTRY, SINGLE ROW, SMT TYPE			
MATERIAL		QUALIFICATION TEST REPORT	SIZE	CAGE CODE	DRAWING NO	RESTRICTED TO
SEE NOTE		WEIGHT	A3	00779	C-1734709	-
FINISH		CUSTOMER DRAWING	SCALE	SHEET	3 of 3	REV B1
SEE NOTE						

X-ON Electronics

Largest Supplier of Electrical and Electronic Components

Click to view similar products for [Headers & Wire Housings](#) category:

Click to view products by [TE Connectivity](#) manufacturer:

Other Similar products are found below :

[892-18-020-10-001101](#) [58102-G61-06LF](#) [582553-1](#) [0009485154](#) [009176003701906](#) [0050291907](#) [LY20-4P-DT1-P1E-BR](#) [02.125.8002.8](#)
[609-3404](#) [61062-3](#) [61082-181009](#) [622-3653LF](#) [63453-116](#) [636-1030](#) [636-1427](#) [636-3427](#) [636-4007](#) [641938-9](#) [641991-4](#) [644827-2](#) [65817-](#)
[010LF](#) [65817-015LF](#) [65863-015LF](#) [66207-023LF](#) [67095-007LF](#) [67601157](#) [68645-018](#) [68648-049](#) [70.362.1628.0](#) [70-4210](#) [70-4226B](#) [70-](#)
[4853B](#) [707-5020](#) [707-5028](#) [71.350.2428.0](#) [71918-208LF](#) [71961-016LF](#) [733-134](#) [733-162](#) [754199-000](#) [760-3052](#) [787-8014-00](#) [79531-3000](#)
[FCN-360C032-B](#) [FCN-367T-T012/H](#) [FCN-723D010/2](#) [80.063.4001.1](#) [800-90-001-10-001000](#) [800-90-010-10-002000](#) [801-43-002-10-013000](#)