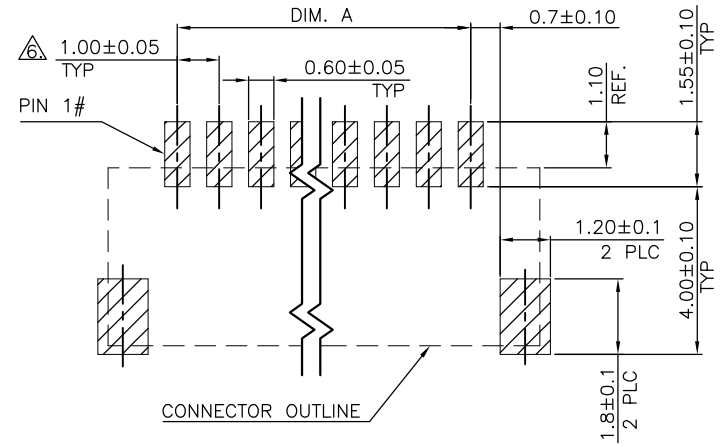
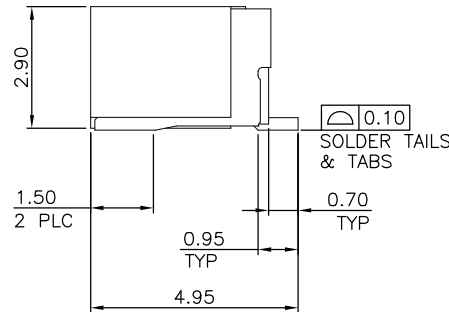
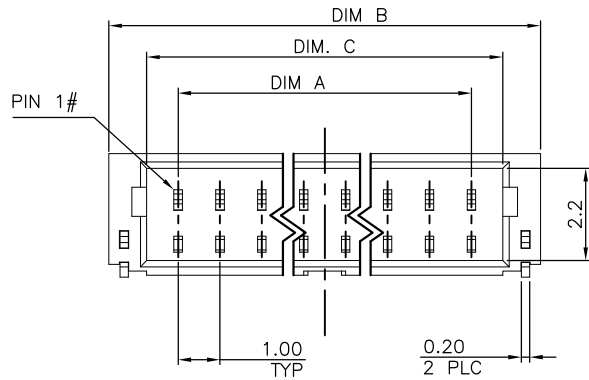
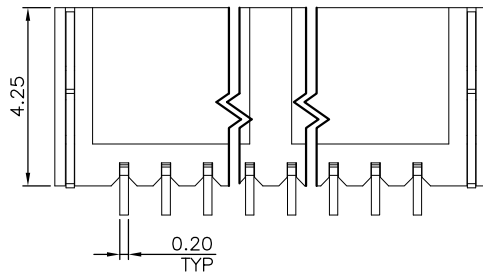


P	LTR	DESCRIPTION	DATE	DWN	APVD
B1		REVISED PER ECO-11-005301	07MAR11	RK	HMR



RECOMMENDED PCB LAYOUT
(COMPONENT SIDE) TOLERANCE: ±0.05

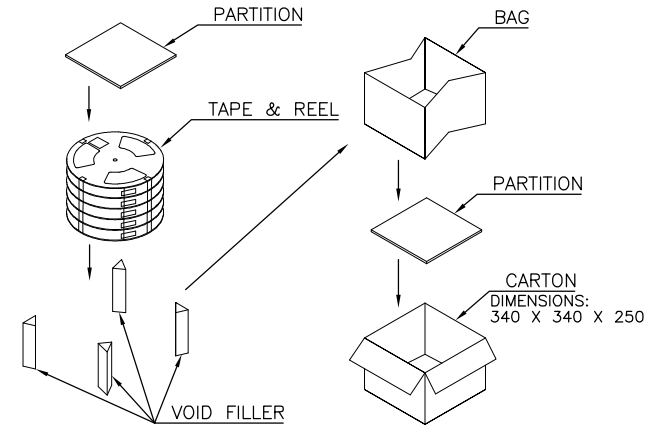
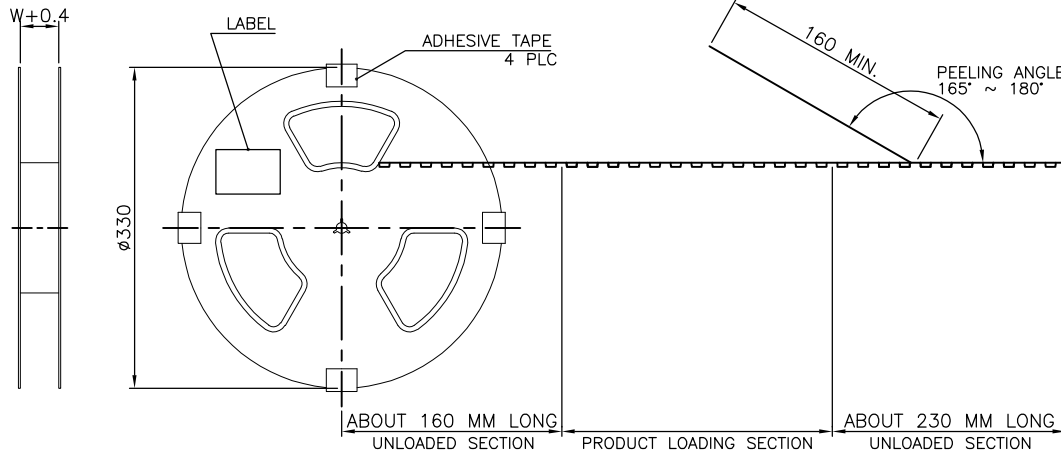


- NOTE:
- MATERIAL:
HOUSING: THERMOPLASTIC WITH 30% G/F, UL 94V-0, NATURE COLOR.
CONTACTS: PHOSPHOR BRONZE.
TABS: BRASS.
 - FINISH:
CONTACT: 3.048µm (120µ") MIN. MATTE-TIN OVER
1.27µm (50µ") MIN. NICKEL ON ENTIRE CONTACT.
TABS: 3.048µm (120µ") MIN. MATTE-TIN OVER
1.27µm (50µ") MIN. NICKEL ON ENTIRE CONTACT.
 - REFLOW SOLDER CAPABLE TO 260°C PER TE CONNECTIVITY SPEC. 109-201, CONDITION B.
 - NO TE LOGO AND DATE CODE ON THE PRODUCT.
 - PART NO. OF RECEPTACLE CONTACT & HOUSING (BASE NO.#): 1734597 & 1470364.
- △ NO ACCUMULATE TOLERANCE.

WEIGHT	C	B	A	NO. OF CONTACTS	PART NUMBER
0.21g	15.50	17.30	14.00	15	1-1734709-5
0.20g	14.50	16.30	13.00	14	1-1734709-4
0.19g	13.50	15.30	12.00	13	1-1734709-3
0.17g	12.50	14.30	11.00	12	1-1734709-2
0.16g	11.50	13.30	10.00	11	1-1734709-1
0.15g	10.50	12.30	9.00	10	1-1734709-0
0.14g	9.50	11.30	8.00	9	1734709-9
0.12g	8.50	10.30	7.00	8	1734709-8
0.11g	7.50	9.30	6.00	7	1734709-7
0.10g	6.50	8.30	5.00	6	1734709-6
0.09g	5.50	7.30	4.00	5	1734709-5
0.08g	4.50	6.30	3.00	4	1734709-4
0.07g	3.50	5.30	2.00	3	1734709-3
0.05g	2.50	4.30	1.00	2	1734709-2

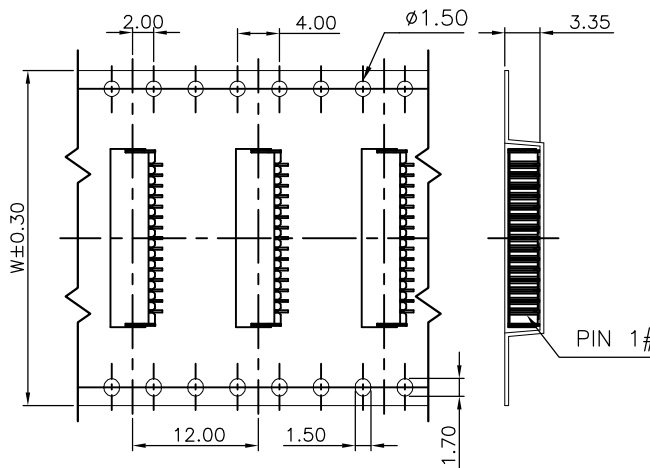
THIS DRAWING IS A CONTROLLED DOCUMENT.		DWN F. YANG 10APR2009	TE Connectivity WIRE TO BOARD CONNECTOR SIDE ENTRY, SINGLE ROW, SMT TYPE		
DIMENSIONS: MM		CHK S. CHIEN 10APR2009			
TOLERANCES UNLESS OTHERWISE SPECIFIED:		APVD W. KODAMA 10APR2009	PRODUCT SPEC		RESTRICTED TO
0 PLC ± - 1 PLC ± - 2 PLC ± 0.25 3 PLC ± 0.15 4 PLC ± - ANGLES ± 5°		QUALIFICATION TEST REPORT 501-57283			
MATERIAL SEE NOTE		FINISH SEE NOTE		SIZE A3	CAGE CODE 00779
		DRAWING NO C-1734709		SHEET 1 of 3	
		CUSTOMER DRAWING		REV B1	

P	LTR	DESCRIPTION	DATE	DWN	APVD
-	-	SEE SHEET 1.	-	-	-

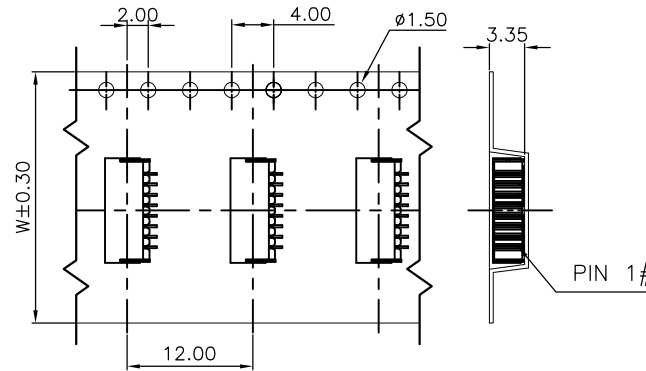


PULL OUT DIRECTION →

PULL OUT DIRECTION →



CARRIER FOR 15 PIN



CARRIER FOR 2 TO 5 PIN & 7 TO 14 PIN

PCS/REEL	REELS/CARTON	QUANTITY	DIM W	G/W (KG)	N/W (KG)	NO. OF POS.
1500	6	9000	32	5.48	1.89	15
				5.58	2.10	14
				5.48	2.00	13
				5.27	1.79	12
				5.16	1.68	11
				5.06	1.58	10
10	10500	24	4.95	1.47	09	
			4.66	1.26	08	
			4.64	1.16	07	
15000	16	16	5.75	1.35	05	
			5.60	1.20	04	
			5.45	1.05	03	
				5.15	0.75	02

THIS DRAWING IS A CONTROLLED DOCUMENT.

DWN	CHK	APVD	NAME
PRODUCT SPEC	QUALIFICATION TEST REPORT	WEIGHT	CUSTOMER DRAWING
DIMENSIONS: MM		TOLERANCES UNLESS OTHERWISE SPECIFIED:	
		0 PLC ± 1 PLC ± 2 PLC ± 3 PLC ± 4 PLC ± ANGLES ±	
MATERIAL SEE NOTE		FINISH SEE NOTE	



WIRE TO BOARD CONNECTOR
 SIDE ENTRY, SINGLE ROW, SMT TYPE

SIZE A3	CAGE CODE 00779	DRAWING NO. C-1734709	RESTRICTED TO
SCALE		SHEET 2 of 3	REV B1

THIS DRAWING IS UNPUBLISHED.

RELEASED FOR PUBLICATION

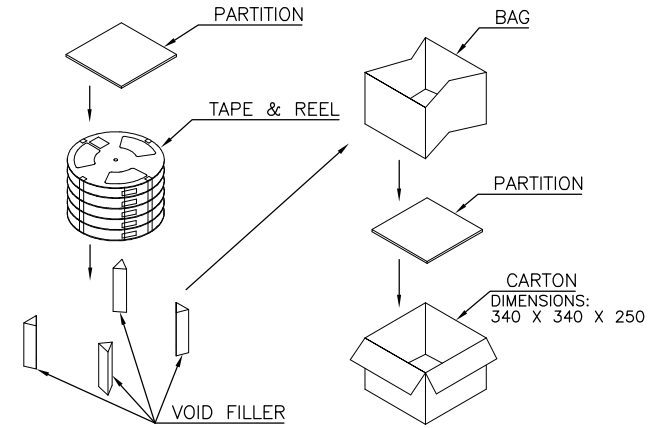
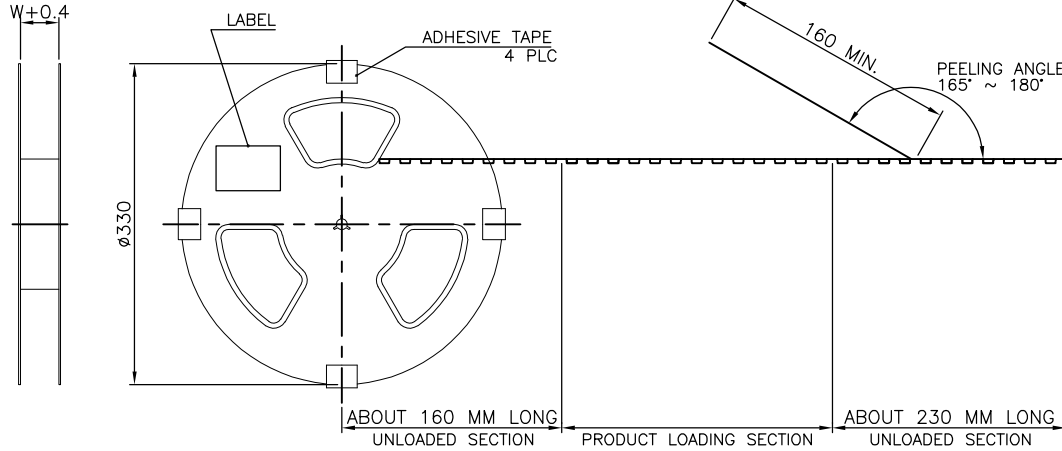
ALL RIGHTS RESERVED.

LOC DW

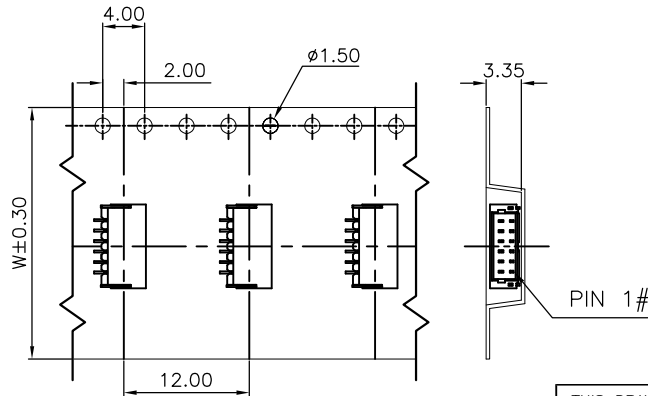
DIST

REVISIONS

P	LTR	DESCRIPTION	DATE	DWN	APVD
-	-	SEE SHEET 1.	-	-	-



PULL OUT DIRECTION



CARRIER FOR 6 PIN

2000	10	20000	16	6.40	2.00	06
PCS/REEL	REELS/CARTON	QUANTITY	DIM W	G/W (KG)	N/W (KG)	NO. OF POS.

THIS DRAWING IS A CONTROLLED DOCUMENT.		DWN	STE TE Connectivity			
		CHK				
DIMENSIONS: MM		APVD	NAME			
TOLERANCES UNLESS OTHERWISE SPECIFIED:		PRODUCT SPEC	WIRE TO BOARD CONNECTOR SIDE ENTRY, SINGLE ROW, SMT TYPE			
0 PLC ± -		QUALIFICATION TEST REPORT	SIZE CAGE CODE DRAWING NO RESTRICTED TO			
1 PLC ± -		WEIGHT	A3 00779 C-1734709			
2 PLC ± -		MATERIAL	CUSTOMER DRAWING			
3 PLC ± -		FINISH	SCALE SHEET 3 of 3 REV B1			
4 PLC ± -		SEE NOTE				
ANGLES ± -						

X-ON Electronics

Largest Supplier of Electrical and Electronic Components

Click to view similar products for [Headers & Wire Housings](#) category:

Click to view products by [TE Connectivity](#) manufacturer:

Other Similar products are found below :

[95000-104TRLF](#) [10135584-644402LF](#) [DF62W-EP2022PCA](#) [95000-106TRLF](#) [DF62W-2022SCA](#) [DF62W-EP2022PC](#) [2203348](#) [DF62W-2022SC](#) [1084018](#) [1029039](#) [1084017](#) [802-10-012-10-002000](#) [1112640](#) [1112639](#) [000-34000](#) [0009482033](#) [0009507031](#) [57102-S06-03LF](#) [57202-S52-04LF](#) [PCN6-15S-2.5E](#) [0039019024](#) [58102-G61-06LF](#) [582553-1](#) [0009508121](#) [0050291907](#) [018731A](#) [LY20-4P-DT1-P1E-BR](#) [02.125.8002.8](#) [60101931](#) [60598-1 \(Cut Strip\)](#) [M1625-3R/100](#) [61062-3](#) [61082-181009](#) [636-1427](#) [638009-1](#) [641938-9](#) [641991-4](#) [644168-1](#) [647662-1](#) [65039-019ELF](#) [65817-002LF](#) [65817-015LF](#) [65863-015LF](#) [66207-023LF](#) [67016-026LF](#) [67046-001LF](#) [67095-007LF](#) [68002-116](#) [68016-236H](#) [68648-049](#)